



US010435879B1

(12) **United States Patent**
Orsano et al.

(10) **Patent No.:** **US 10,435,879 B1**
(45) **Date of Patent:** **Oct. 8, 2019**

(54) **ADJUSTABLE SPACER BETWEEN TOILET AND WALL**

E03D 1/01; E03D 11/00; E03D 11/14-146; Y10T 29/49947; Y10T 29/49948; Y10T 29/49963

(71) Applicants: **Anthony Orsano**, Williston Park, NY (US); **George Samouhos**, Garfield, NJ (US)

See application file for complete search history.

(72) Inventors: **Anthony Orsano**, Williston Park, NY (US); **George Samouhos**, Garfield, NJ (US)

(56) **References Cited**

U.S. PATENT DOCUMENTS

(*) Notice: Subject to any disclaimer, the term of this patent is extended or adjusted under 35 U.S.C. 154(b) by 126 days.

2,810,136 A *	10/1957	Kearney	E03D 1/26
				248/312.1
3,666,225 A *	5/1972	Weinberger	E03D 1/01
				248/205.3
5,997,412 A *	12/1999	Benson	A63B 53/00
				473/296
6,073,899 A *	6/2000	Omriani	A47K 10/185
				248/311.2
7,093,813 B1 *	8/2006	Zirps	A61B 90/50
				248/327
2005/0025607 A1 *	2/2005	Guantonio	F16B 39/12
				411/222
2015/0191902 A1 *	7/2015	Vadnais	E03D 1/012
				29/428

(21) Appl. No.: **15/688,991**

(22) Filed: **Aug. 29, 2017**

Related U.S. Application Data

(63) Continuation-in-part of application No. 14/014,544, filed on Aug. 30, 2013, now abandoned.

* cited by examiner

Primary Examiner — Jun S Yoo

(74) *Attorney, Agent, or Firm* — Michael J. Feigin, Esq.; Feigin & Fridman LLC.

(51) **Int. Cl.**

E03D 11/00	(2006.01)
E03D 11/14	(2006.01)
A47K 17/02	(2006.01)
E03D 11/02	(2006.01)

(57) **ABSTRACT**

An adjustable spacer device for use in the space between a toilet and a wall and a method installing same is disclosed. The device includes a component module formed prior to installation within the wall space where it is then finally adjusted to fit within the wall space and to maintain a set separation distance between the toilet and the wall. The adjustable spacer device includes a cover that further stabilizes and secures the component module.

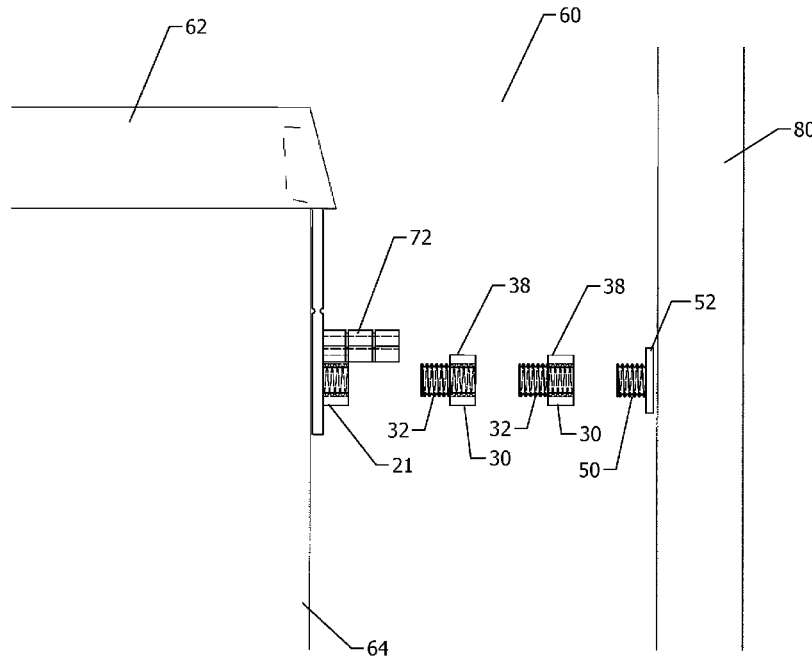
(52) **U.S. Cl.**

CPC **E03D 11/14** (2013.01); **A47K 17/02** (2013.01); **E03D 11/02** (2013.01)

(58) **Field of Classification Search**

CPC A47B 95/043; A47B 95/00; A47B 95/008; A47B 97/00; A47C 7/002; E03D 1/00;

12 Claims, 11 Drawing Sheets



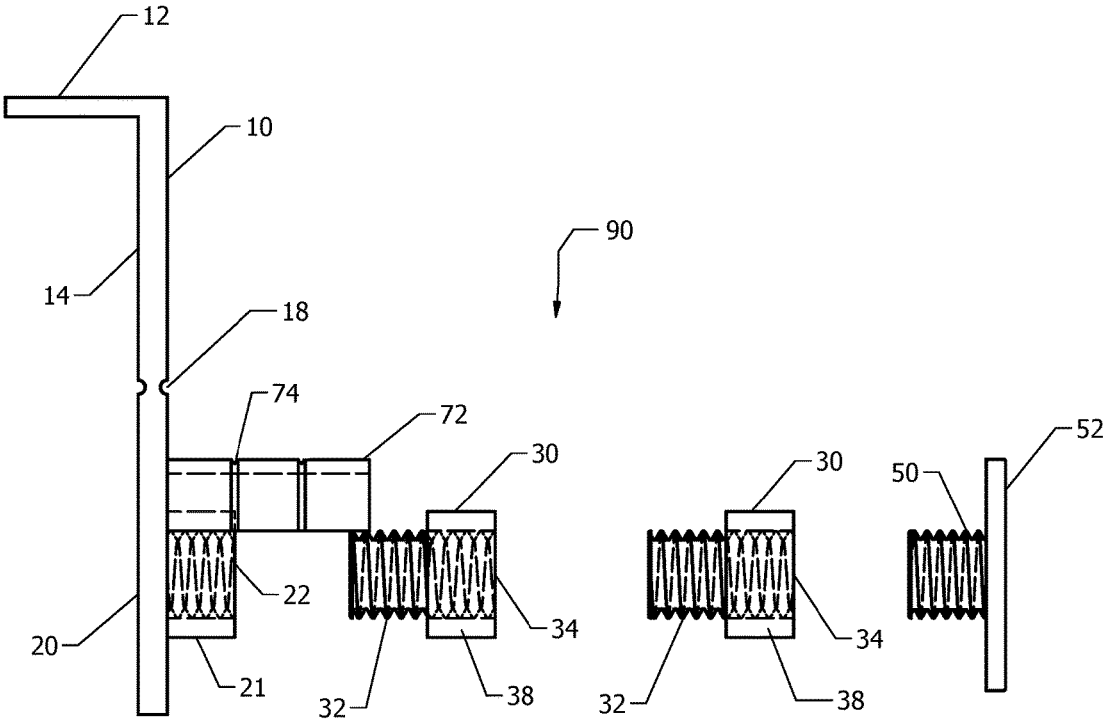


Figure 1

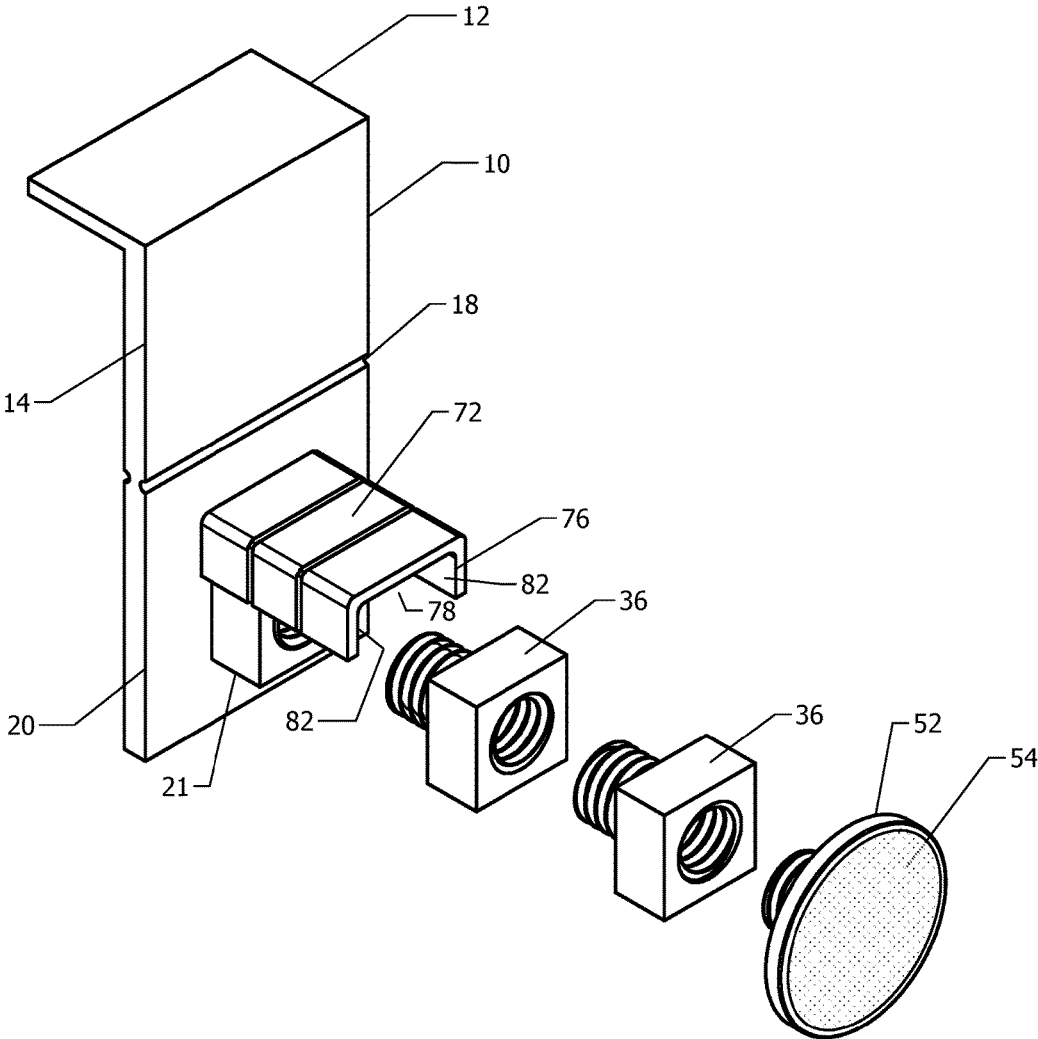


Figure 2

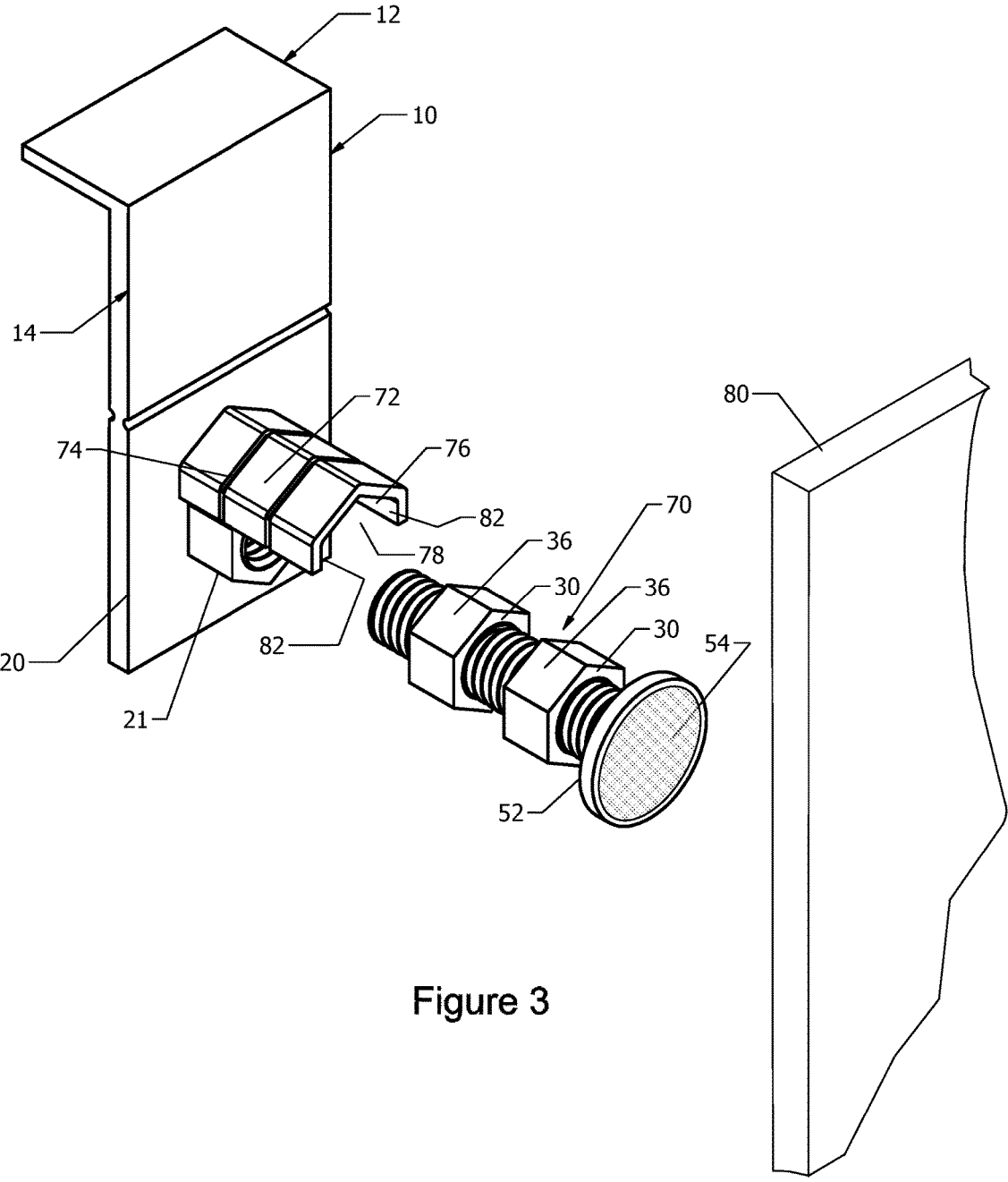


Figure 3

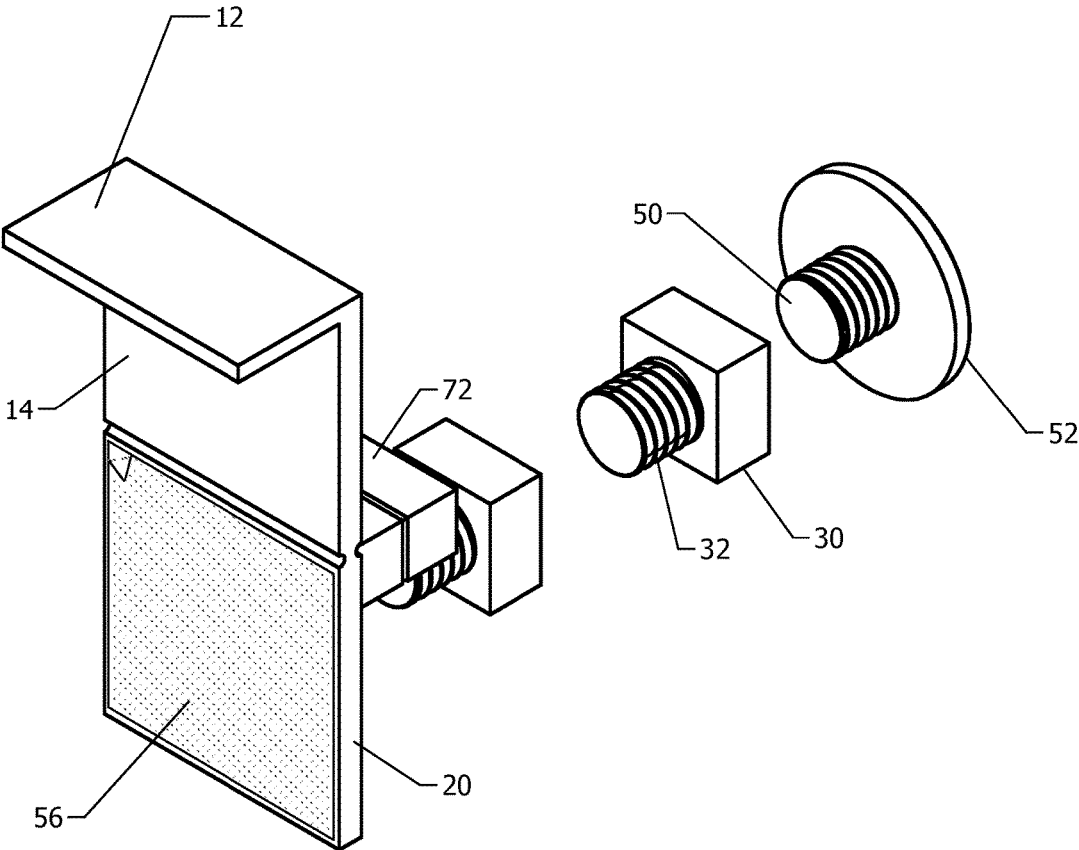


Figure 4

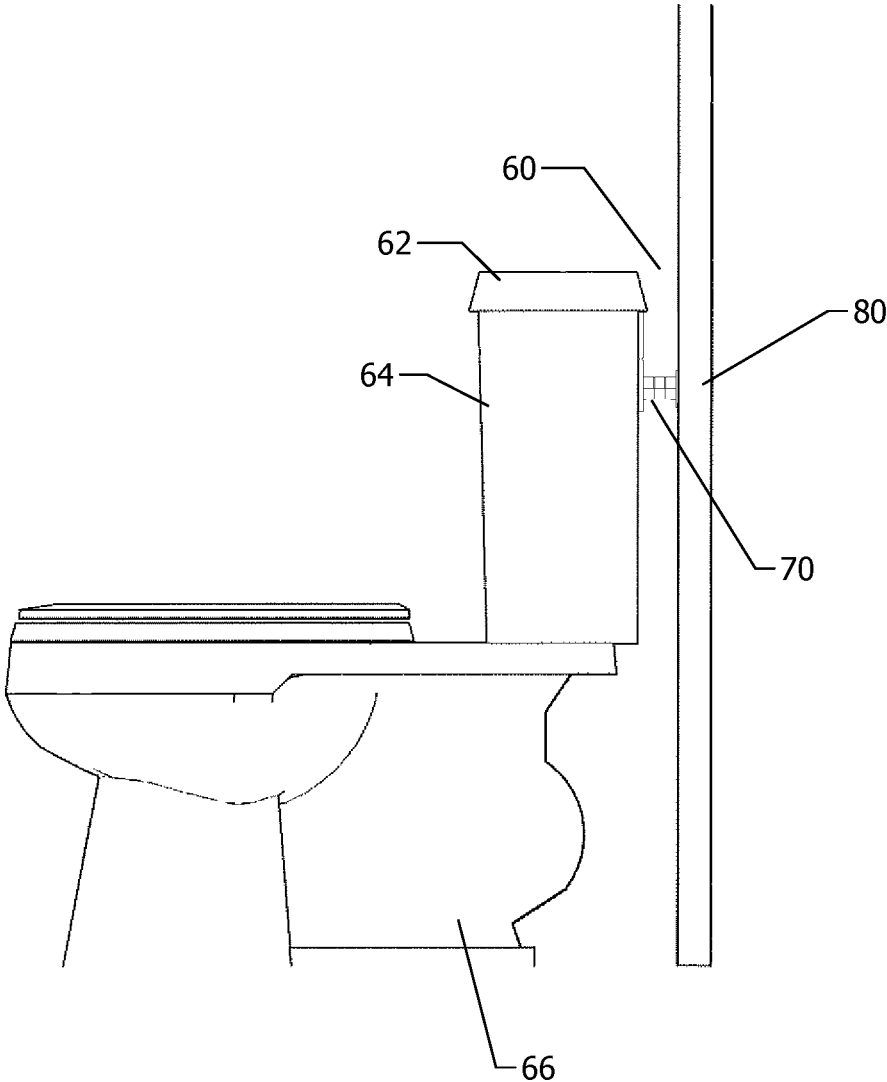


Figure 5

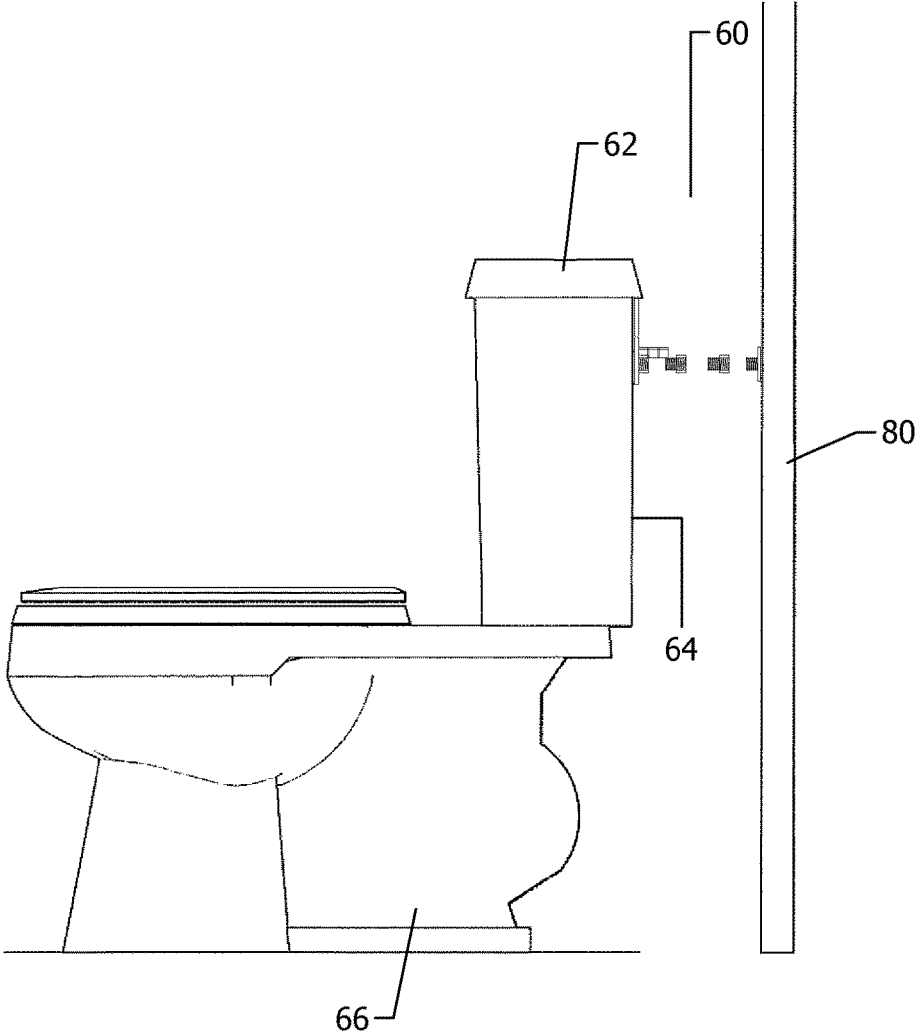


Figure 6

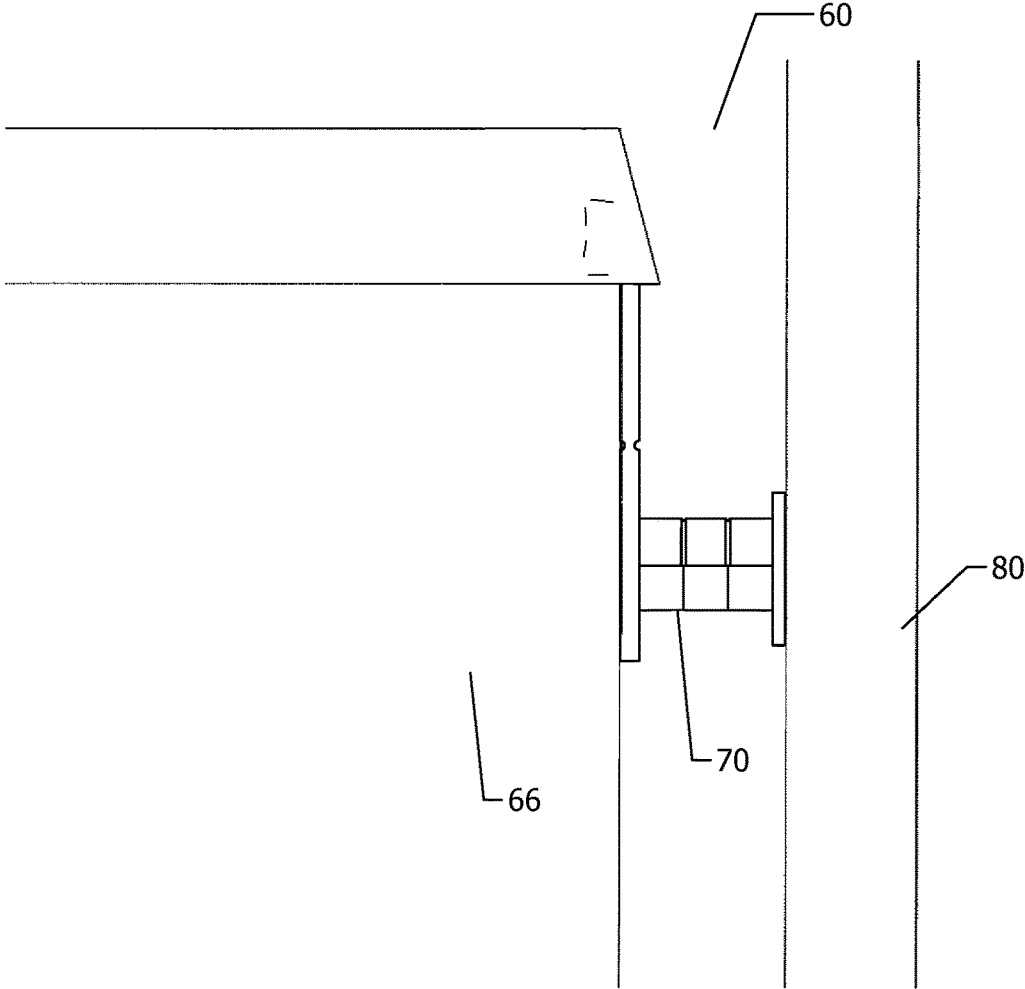


Figure 7

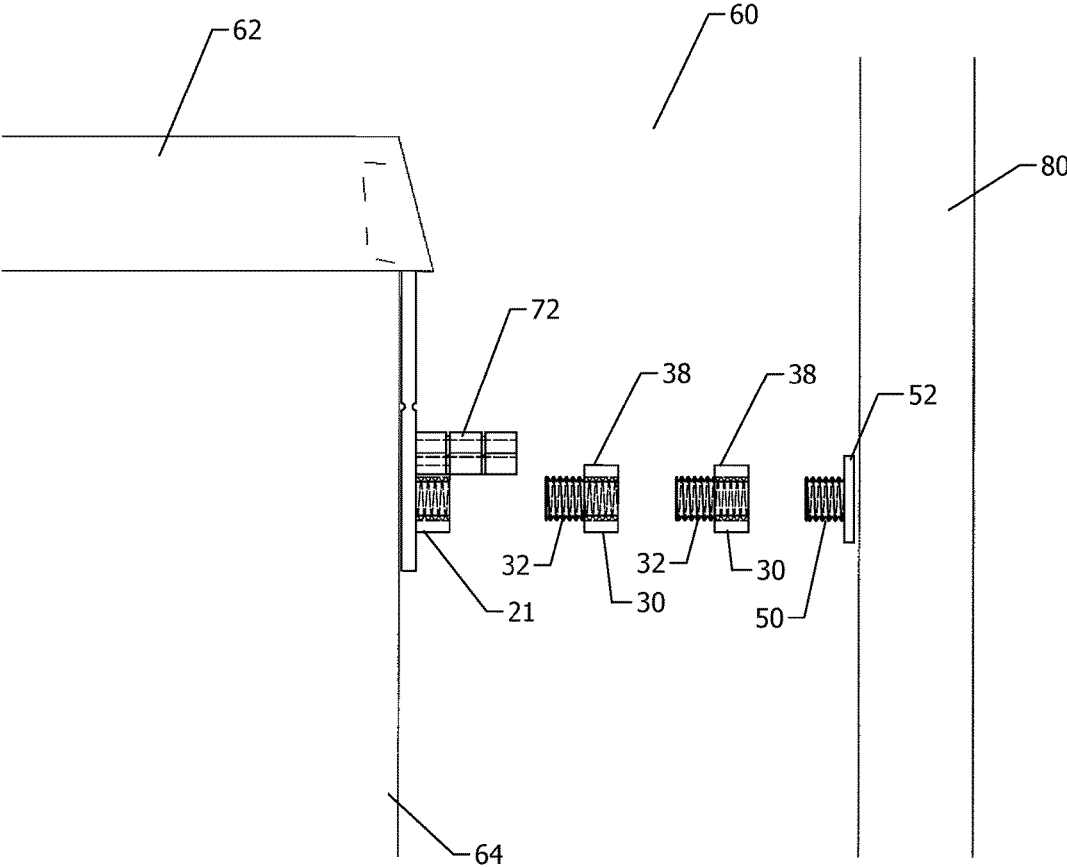


Figure 8

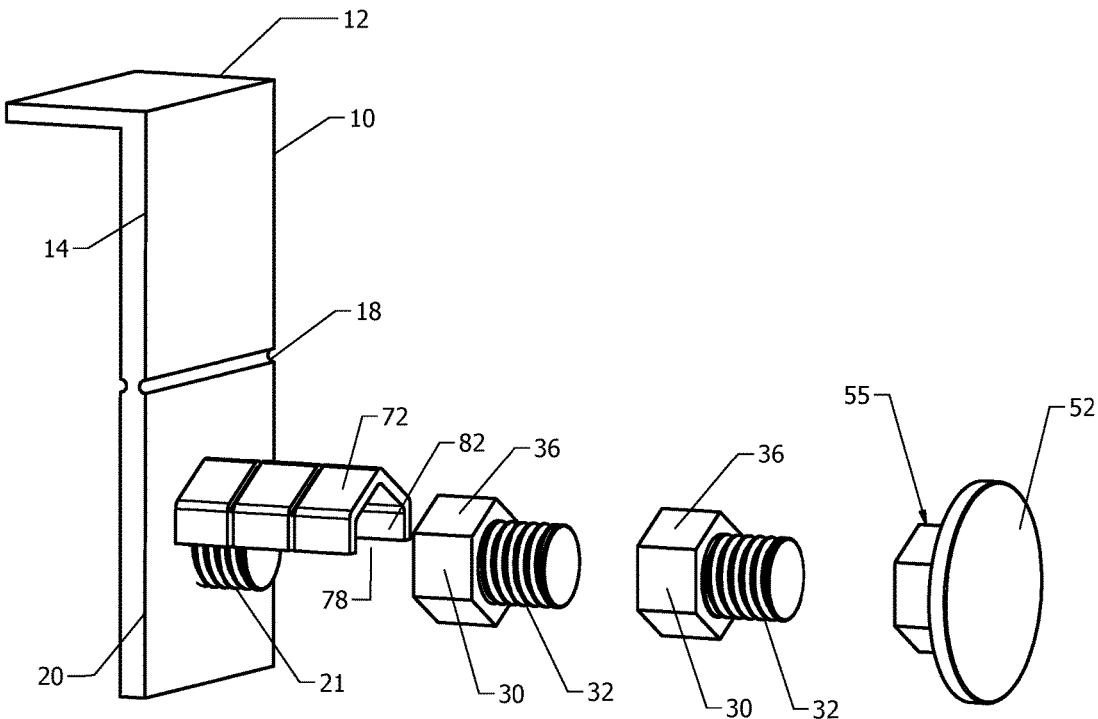


Figure 9

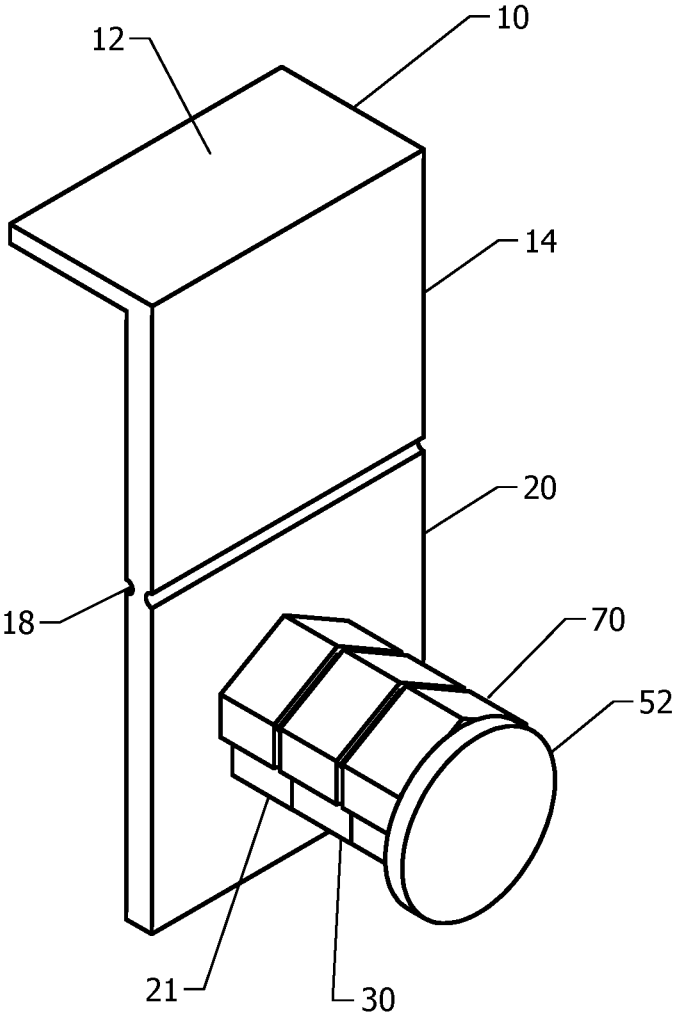


Figure 10

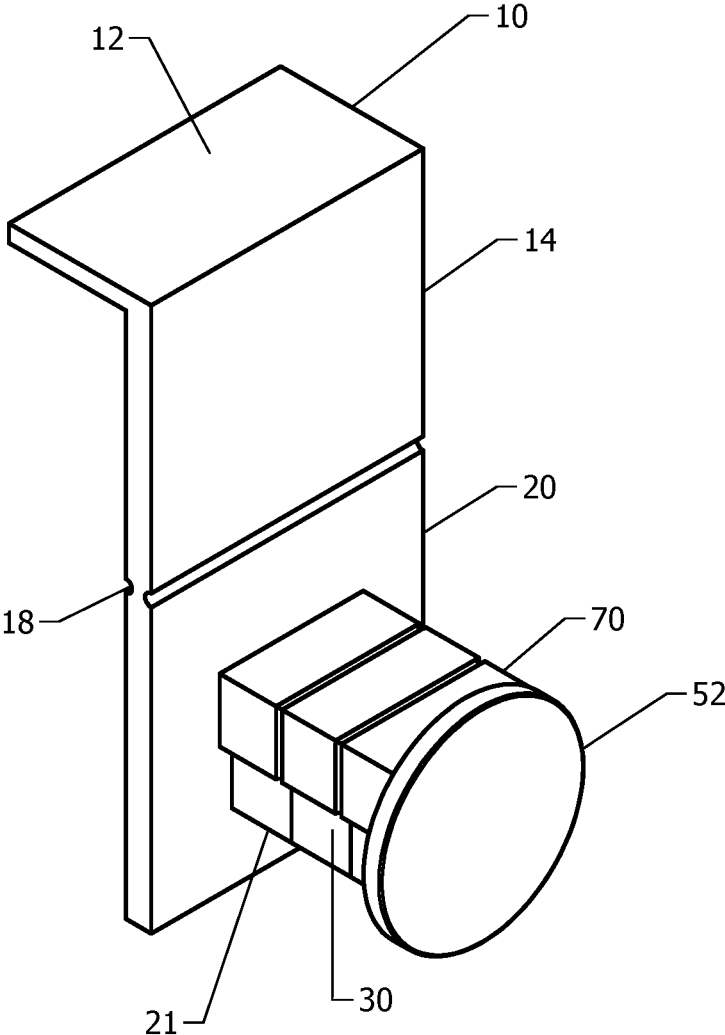


Figure 11

ADJUSTABLE SPACER BETWEEN TOILET AND WALL

CROSS REFERENCE TO RELATED APPLICATIONS

This application is related to and claims the benefit of currently pending U.S. patent application Ser. No. 14/014, 544, filed Aug. 30, 2013, the disclosures of which is incorporated herein by reference in its entirety.

FIELD OF THE INVENTION

The disclosed technology relates generally to a spacing and stabilizing device and method of installation configured to maintain the spacing between a toilet and a wall.

BACKGROUND OF THE INVENTION

Above-ground toilets with bowls are typically spaced next to, but not touching, a wall. Typical porcelain toilets with high backs, as commonly found around the world, have drawbacks, in that the long narrow backs rise above the base of the toilet and are susceptible to shearing forces or forces transverse to the rise of the back of the toilet. This occurs simply when a person leans on the toilet to sit down or rise, or when leaning on the toilet for another reason. The result, if does not occur right away, then over time it may result in a leaky toilet, or potentially worse—a cracked toilet. Simply pushing on a toilet (the higher up from the ground, the greater the fulcrum) causes seals, such as those which utilize rubber washers, to open and the toilet to move. Over time, fissures or cracks can develop, and the toilet itself may leak, the seal between the toilet and ground may leak, or the toilet tank may even break away from the toilet bowl.

In public rest rooms, toilets are often designed without a high tank, instead relying on high water pressure; but even so, this set-up has other disadvantages, such as more expensive water systems and less aesthetic toilets. The problem is further exacerbated during renovations, for the simple reason that the positioning of toilets (cut-in holes) tends to vary. For example, in the United States, toilets previously were set 14 inches on center off the wall. Currently, they are set 12 inches on center off the wall. When installing a new toilet designed for the smaller distance, this leaves two extra inches between the wall and toilet, causing the above-mentioned problems of shear forces when pressure is applied on the tank of the toilet.

The disclosed invention provides a module which is preassembled prior to positioning/installation in the space between the toilet and the wall. Upon insertion into such space, a final adjustment is made in the longitudinal direction through rotation of the extension fastener(s), so that in the final position the module is tightly fit between the toilet tank and the wall. Once in final position, the flat surfaces of the extension fastener(s) and other module elements are aligned to form a continuous formation having a hexagonal, square or similarly shaped exterior and further secured and stabilized by a cover.

To resolve the issues of the prior art, the present invention provides a stabilization device and a method of installation thereof, which stabilizes the toilet tank, preventing movement that causes leakage and protecting against damage to the wall behind the toilet. The novel stabilization device and method is easy to install, cost effective and aesthetically pleasing.

SUMMARY OF THE INVENTION

An adjustable spacer device including a cover and method of installing same represent an essential aspect of the disclosed technology. The device includes an elongated toilet tank plate with a threaded member affixed thereto, a wall piece, and at least one extension fastener. A module is formed comprising a wall piece and at least one extension fastener. The module may also include toilet tank plate. Prior to installation, the module is loosely assembled, so that each piece is connected to another by the threading. Once assembled, the module fits into the limited space between the wall and the toilet tank. After being properly positioned within the space, through adjustment/rotation of the extension fastener (s) or bolt(s) (“fastener” and “bolt,” are terms known in the art and are used interchangeably in this disclosure), a final longitudinal adjustment is provided. Upon completion of the final longitudinal adjustment, the module is tightly positioned within the space, preventing any undesirable motion of the toilet tank relative to the wall.

One of the essential features of the present invention revolves around the step of adjustment, with at least one extension fastener being rotated (either to extend or retract) forming the final position of the module, wherein continuous flat surfaces including the exteriors of all multifaceted elements of the module are developed. At such final position, the flat exterior surfaces of the multi-faceted elements are aligned having the same longitudinal orientation, forming a continuous formation.

An alternative embodiment includes the toilet tank plate having a threaded bolt instead of a nut shaped formation. In this embodiment, the module elements appear inverse to the first embodiment. Further neither embodiment is limited to a square shaped exterior. Other interconnecting shapes such as a hexagonal (6 facet) exterior or similar are envisioned so long as the when the final adjustment is completed, all elements of the module are aligned to form a continuous formation along the longitudinal axis.

Another novel feature of the present invention is the cover which sits atop or designed to engage the exterior of the assembled module and/or other elements, after the spacer device and or the module are in the final adjusted position within the space between the wall and the toilet tank. The inner surface of the cover is formed with at least two flat surfaces provided to engage the exterior flat surfaces of the multifaceted elements of the module and other elements of the device. The cover is composed of resilient material having a longitudinal slit.

During installation, the cover is positioned over the preassembled module through the slit, so that the cover snaps or tightly fits over the module assembly exterior. In the finally assembled position, the inner flat surfaces of the cover engage the exterior flat surfaces of the module elements, stabilizing and retaining the continuous formation. In addition to the aesthetically pleasing nature, the cover also importantly serves to retain and stabilize the adjusted positions of the module elements and the entire device, thereby retaining alignment of the continuous formation. The cover can be formed as one unitary member, or can be formed by multiple breakaway sections to facilitate installation and provide flexibility to conform to varied lengths of the final module/assembly.

BRIEF DESCRIPTION OF THE DRAWINGS

FIG. 1 is an exploded side elevational view of an adjustable spacer device of an embodiment of the disclosed technology.

3

FIG. 2 is a perspective view of the spacer device of FIG. 1.

FIG. 3 is a perspective view of an adjustable spacer having hexagonal features with the continuous hexagonal module preassembled for insertion within the toilet plate.

FIG. 4 is a reverse perspective view of the spacer of FIG. 1.

FIG. 5 is a side elevation view of the fully assembled spacer in use between a toilet and wall.

FIG. 6 is a side elevation view of a blown apart version of the spacer between a toilet and wall.

FIG. 7 is a close-up view of the adjustable spacer of FIG. 5.

FIG. 8 is a close-up view of the adjustable spacer of FIG. 5 set between the toilet and the wall.

FIG. 9 is a perspective of the adjustable spacer having a hexagonal configuration and outwardly facing threaded shafts.

FIG. 10 is the adjustable spacer of this invention as a continuous formation after completed installation with a hexagonal configuration.

FIG. 11 is the adjustable spacer of this invention as a continuous formation after completed installation with a four-facet configuration.

DETAILED DESCRIPTION OF THE INVENTION

An adjustable spacer device 90 of the preferred embodiment of the disclosed technology has an elongated toilet plate 10. This plate 10 is formed having a unitary upper portion 14 and lower portion 20 connected by a breakaway joint 18. A toilet insert 12 is connected to, and non-obtusely angled from the upper portion of the elongated toilet plate in embodiments of the disclosed technology. A generally flat wall plate 52, connected to the adjustable length extension mechanism, is in parallel to the elongated side of the toilet plate 10. The adjustment mechanism includes at least one extension fastener 30 with a female threaded cavity 34 and male threaded region 32. The lower portion 20 of the elongated toilet plate 10 may have either female threads (see FIGS. 1-3) or male threads (see FIG. 9). In the assembled position, a toilet plate 10 interconnecting portion 21 with integrated threads 22 (either female or male threads) may form a unitary structure with the wall plate 52. The extension fastener(s) 30 are loosely assembled together through the threading 50 with the wall piece 52 prior to installation in the space 60 between the toilet tank and the wall 80 in the formation of a module 70. Once the module is inserted within the wall space 60 and properly positioned, a longitudinal adjustment is taken place. This is needed to assure tight positioning of the spacer device 90 within the wall space 60 and to prevent any further motion of the component pieces, while a continuous unitary aligned structure/module 70 is formed.

Embodiments of the disclosed technology will become more obvious in view of the following description of the figures.

FIG. 1 shows an exploded plan view of an adjustable spacer device 90 of one embodiment of the disclosed technology. The toilet plate 10 has an upper portion 14 and lower portion 20 attached via a breakaway joint 18, which is thinner, bendable, and breakable. The breakaway joint 18 allows one to bend the upper portion 14 with respect to the lower portion 20 to angle the upper portion and toilet insert 12 as necessary for an angled toilet. Further, one may simply break the upper portion 14 from the lower portion 20 if a

4

spacer is needed without the upper portion 14 and toilet insert 12. The lower portion 20 can then be optionally adhered or secured by pressure to the rear wall of the toilet tank for support. In order to adhere the spacer 90, an adhesive with a peel back protective cover 54, 56, respectively, is applied to the wall plate 52 and/or the interior surface of the lower portion 20.

The toilet insert 12 (as seen in use in FIGS. 5-8) is placed between a lid of a toilet 62 (covering the toilet tank) and the body of the tank 64. Toilet tanks 64 and lids 62 are known in the art. The insert 12 is a thin extension of the toilet plate 10. The insert is attached curvilinearly or perpendicularly to the upper portion 14 at a right or acute angle thereto. The lower portion 20 via the breakaway joint 18 is removably or unitary attached to the portion 14.

As illustrated in FIG. 1, the lower portion 20 of the toilet plate 10 has an interconnecting portion 21 with integrated internal/female threads 22. In another embodiment a male, external threading 21 can be also provided (see FIG. 9). By the threads 22 one can screw or attach any reasonable number of extension fasteners 30 to fill the space 60 between the toilet 66 and the wall 80. In FIGS. 1-4 two extension fasteners 30 are shown with respective male threads 32 and female threads 34. The threads 22 of the portion 21 (or toilet plate) are rotatably attached to/within the head of the next fastener 30 via the female threaded cavity 34 formed within the respective head 38. For example, threads 22 of the interconnecting portion 21 of the wall plate 10 are threadably attached to the threads 32 of extension fastener 30 whose threads 34 are rotatably attached to the threads 32 of the adjacent extension fastener 30. For purposes of this disclosure, "male threads" are those on the exterior of a shaft and "female threads" are those on the interior of a fastener with a cavity defined within and by the innermost extremity of the threads. Finally, the threads 34 of extension fastener 30 are rotatably attached to an interconnection point 50 which is either a fastener region 50 having a threaded interior or a threaded shaft, the interconnection point 50 forming a unitary piece with a wall plate 52 adapted for abutting a wall. By using a greater or smaller number of extension fasteners and/or by varying the length of extension fasteners used, space 60 between a toilet 66 (abutting toilet plate 10) and wall 80 (abutting wall plate 52) may be traversed by the adjustable spacer device 90. Once in place, the fasteners 30 are adjusted to apply positive pressure between a wall 80 and toilet tank 64, preventing shearing or lateral forces against the toilet tank 64 from causing the tank 64 to move. Further, the adhesive surface 54, 56 forms a cushion to protect the wall 80 and toilet 66 during longitudinal adjustment and ensures stabilization throughout the assembly.

In a method of using the adjustable spacer device 90 of the invention, one places the toilet insert 10 between the toilet lid 62 and a toilet tank 64, an elongated side of the toilet plate 10 is positioned against the toilet tank 64. The length of the extension mechanism is adjustable, such that a length of the adjustable spacer 90 is substantially equal to the distance from the toilet tank 64 to a wall 80, abuts the wall plate 52 against a wall 80, and secures the continuous module formation 70 under the cover 72. In a variation on this method, one may abut an elongated toilet plate 10 against a toilet tank 64, rotatably adjust a length of the adjustable spacer 90 by way of at least one threaded fastener 30 situated between the toilet plate 10 and a wall plate 52, and to attach the wall plate 52 to a wall 80.

The above method may have a step of placing a toilet insert 12 between a lid 62 of the toilet and said toilet tank 64,

wherein the toilet insert **12** forms a unitary piece with said toilet plate **10**. The toilet insert **12** may be at an acute or right angle with the toilet plate **10**. The toilet plate **10** itself may have a breakaway joint **18** between an upper **14** and lower portion **20** thereof, this joint **18** being broken by hand before abutting the elongated plate **10** against the toilet tank **64**, such that only the lower portion **20** of the toilet plate **10** is used and abutted to the exterior of the tank **64** of the toilet.

Each extension fastener **30** consists of a shaft with external or male threads **32** and a head **38** with internal or female threads **34**. The head **38** of the extension fastener(s) **30** is generally formed having a multi-faceted exterior having multiple flat surfaces **36**. For example, the exterior can have a square or four-faceted shape, as in FIG. **2** or a hexagon or six-faceted configuration, as for example in FIG. **6**. Other designs of the multi-faceted exterior are also contemplated. For optimal performance, the wall piece **52** and extension fastener(s) **30** are loosely assembled, forming a continuous module **70**, prior to insertion in the space between the toilet tank and the wall (see FIG. **3**). Once pre-assembled, the module **70** is inserted into the space **60** and properly positioned. Then, the extension fastener(s) **30** are longitudinally adjusted by means of rotation to stabilize the spacer mechanism **90** and to prevent any undesirable motion of the toilet tank **64** relative to the wall **80**. Once in the final position, the flat exterior surfaces **36** of the fasteners are lined up/aligned with each other (where multiple fasteners are provided) and with the flat exterior surfaces of the plate fastener **21**. In this manner a continuous multi-faceted unit is formed, wherein the flat exterior surfaces are aligned, so that each flat surface of one element is positioned in the same plane with corresponding surface(s) of other element (s).

The adjustable spacer mechanism **90** may also include a cover **72**, which is configured to fit over the exterior of the module **70** and the exterior of other elements, once it is formed and in place within the space **60** between the wall **80** and the toilet tank **64**. In one embodiment of the invention, the cover **72** is connected to the lower portion **20** of the toilet plate **10** and is constructed with breakaway joints **74**, having similar characteristics as the breakaway joint **18** between the plate upper **14** and lower portions **20** described herein. In another embodiment, the cover **72** is independent of the toilet plate. The cover **72** has an inner surface **76** formed with at least two continuous flat surfaces **82**. In another embodiment, the cover **72** is provided with the inner surface, which is generally cylindrical or any other similar shape and is formed with at least two flat surfaces **82**. The cover flat surfaces **82** are configured to engage the exterior flat surface (s) **36** of the extension fastener(s) **30**, and/or a fastener head **55** of the wall piece **52**, and/or the exterior of the element **22** of the toilet tank plate **10**.

The cover **72** is made of a resilient material and includes a longitudinal slit **78** therethrough. During installation, the cover **72** is positioned on the continuous module **70** through the slit **78**, so as to snap or tightly fit over its exterior. In the assembled position, the inner flat surfaces **82** of the cover engage the exterior flat surfaces **36** of the extension fastener (s) **30** and other elements of the device, thereby retaining the continuous formation of the module **70**. The cover **72** is sized to match the length and geometric nature of the continuous formation of the module **70** by breaking away the excess length at the appropriate breakaway joint **74**. In addition to providing an aesthetically pleasing surface, the cover **72** serves to retain the adjusted position of the con-

tinuous formation of the module **70** and other elements, and more specifically retains the alignment of extension fastener (s) **30**.

The cover **72** prevents the fasteners **30** from shifting position and stabilizes the space by fitting tightly over the bolt head(s) once in the adjusted positions similar to that of a clamp. The cover **72** prevents longitudinal movement by stabilizing the position of the expansion fastener(s) **30** relative to the wall **80**. The cover **72** can be formed as one unitary member or can be formed of multiple sections to facilitate installation and provide flexibility of application to match the various lengths of the final continuous formation **70**.

FIG. **2** shows a perspective view of the spacer device of FIG. **1**. From this angle, one can see the toilet plate **10** with upper portion **14**, lower portion **20**, and breakaway joint **18**. The breakaway joint **18** is an optional portion of the adjustable spacer **90**. That is, in another embodiment, there is no thinner area between the upper **14** and lower **20** portions of the wall plate **10**, or the wall plate **10** has only a continuous lower portion **20** without an upper portion **14**. A breakaway joint **18** is defined as a narrower region, with respect to a plane of the wall plate **10**, which allows a person to readily (without tools) bend or break from the upper portion **14** and the lower portion **20**. This can be compared to the rest of the plate **10** which, in embodiments, is fixed (not breakaway) in that the rest will not readily bend or break (which, unless defective, requires tools to do so). That is, the attachment joint is a weak point which is first to break when bending the wall plate **10**. Still referring to FIG. **2**, each fastener **30** has a threaded inner hollow region **34** adapted for receiving external threads or another attachment mechanism. The cover **72** is also shown.

FIG. **3** shows a perspective view of the spacer device and cover. The wall plate **52** and extension fasteners **30** are preassembled prior to installation within the space **60** and connection to the toilet plate interconnecting portion **21**. Once the components are assembled, the preassembled module structure **70** is installed between the wall **80** and the toilet **66**. The exteriors of the extension fasteners **30** and the connected interconnection portion **21** are hexagonally configured. The interior of the cover **72** is configured to accommodate these hexagonally shaped elements, so the cover inner flat surfaces **82**, cover slit **78** and cover inner surface **76** secure the hexagonal flat surfaces **36** and **21** therewithin. The preassembled module structure **70** is formed prior to insertion in the space **60** between the wall **80** and the toilet **66**. Once the preassembled structure **70** is positioned within the space **60**, and a final rotated adjustment (either to expand or retract) is carried out, the entire assembly is secured and stabilized by placement of the cover **72**.

FIG. **4** shows a partial perspective view of the spacer device and cover of FIG. **1**. While the wall plate **52** is shown as circular and having a mathematical diameter greater than that of the fasteners and less than that of the shortest dimension of the toilet plate **10**, any size wall plate **52** may be used. A rear elongated side of the toilet plate **10** and a front side of the wall plate **52** faces the viewer, in these pictures. The elongated sides, for purposes of this disclosure, are those which are generally (95% or more) planar or flat and have a ratio of height to width of less than 8.

FIG. **5** is a side elevation views of the spacer device **90** in the assembled condition within the space **60** between a toilet **64** and wall **80**. FIG. **6** shows a side elevation view of an exploded version of the spacer **90** between a toilet **64** and wall **80**. The wall **80** is a vertical or substantially vertical rise. "Substantially," for purposes of this disclosure, is

within a 5 degree or 1.5% tolerance, whichever is greater. The toilet **66** has a tank **64**, which the adjustable spacer **90** presses against, while, at the same time, pressing against the wall **80**. This prevents the toilet tank **64** from moving towards the wall **80**, possibly causing cracking or breaking. This is the most common direction of movement known which causes the tank **64** to crack or break as people lean themselves or other items into the toilet, especially during use thereof. The adjustable spacer device **90** acts as a wedge, preventing movement of the toilet. A single adjustable spacer **90**, or a plurality of spaced-apart adjustable spacers (such as two, three, or four) may be used to prevent movement of the tank **64** and maintain it in its orientation (usually vertical or substantially vertical) above the bowl or rest of the toilet **66**.

The lid **62** depicted covers the tank **64** of the toilet **66**. When there is no lid **64**, it may be desirable to break away the top **14** of the toilet plate **10** at the breakaway joint **18** or simply use an adjustable spacer **90** which lacks the turned toilet insert **12** and optionally includes adhesive **56**.

FIG. 7 shows a close-up view of the adjustable spacer as a continuous formation **70** with the cover **72** interconnected thereto. Here, the toilet insert **12** is inserted between the lid **62** and toilet tank **64** of the toilet **66**. The toilet plate **10** abuts the rear of the toilet **66** along the upper portion **14** and lower portion **20**, with the breakaway joint **18** intact. On the other side of the adjustable spacer **90** is the wall mount **52** frictionally abutting the wall **80**. Between the toilet plate **10** and wall plate **52** are extension fasteners **30** fully threaded together. In embodiments, the threads **32** are fully threaded, such that the outer fasteners (or fastener regions having cavities **34**) abut each other. This is the tightest fit, such that pressure on the toilet tank **64** towards the wall **60** will not cause the fasteners **30** to tighten further as they are already tightened to the maximum.

FIG. 8 shows a close-up view of the adjustable spacer **90** and cover. Here, one can see the position of the toilet **66** as well as the toilet plate **10** (upper portion **14**; lower portion **20**) having threads **22** provided to engage the extension fastener **30**. The extension fastener **30** has threads **32** engaging the adjacent extension fastener **30**. The extension fastener **30** has internal threads provided connect to wall plate **52** having an interconnection point **50** with external threads for threaded engagement. The wall plate **52** abuts the wall **80**. Alternatively, it is within the scope of this invention that the lower portion **20** of the toilet plate includes a male shaft as the interconnecting portion **21** affixed thereto in place of a female head, whereas the wall piece **52** interconnection point **50** has a female head in place of the male shaft portion. In such an arrangement, the extension fastener(s) are reversed to threadedly interconnect with the wall piece **52** and toilet plate **10** (see FIG. 9).

FIG. 9 shows a perspective view of the unassembled spacer **90** with the extension fasteners **30** and the wall plate fastener region **55** having a hexagonal exterior configuration. The connected threading **32** is in a male orientation for interconnection with the inner threading **34** of the extension fasteners **30** and the fastener region (not shown) of the wall plate. In this alternative design, the assembly and installation of the continuous structure and the module formation **70** are substantially similar to that of the other Figures having a reverse style orientation.

FIGS. 10 and 11 show perspective views of the spacer **90** in a continuous formation **70** with the cover **72** affixed thereover. FIG. 10 shows a hexagonal configuration while FIG. 11 shows a four-facet configuration. These arrangements maintain the longitudinal configuration of the con-

tinuous formation **70**, thereby providing stabilization and an aesthetically pleasing exterior surface.

While the disclosed technology has been taught with specific reference to the above embodiments, a person having ordinary skill in the art will recognize that changes can be made in form and detail without departing from the spirit and the scope of the disclosed technology. The described embodiments are to be considered in all respects only as illustrative and not restrictive. All changes that come within the meaning and range of equivalency of the claims are to be embraced within their scope. Combinations of any of the methods, systems, and devices described hereinabove are also contemplated and within the scope of the invention.

What is claimed is:

1. A method of stabilizing a toilet through incremental adjustment in a longitudinal direction of an adjustable spacer assembly within a toilet system, said toilet system consisting of at least a rear wall of a tank of a stationary toilet spaced from a stationary wall of a restroom, so that a narrow operational space is defined therebetween, said method comprising the steps of:

providing said toilet system to house an adjustable spacer assembly, comprising:

providing a wall plate for connection to the wall of the restroom, said wall plate having an interconnection point with internal threads or external threads;

providing a substantially flat toilet plate connected to the rear wall of a tank of said stationary toilet, said toilet plate formed with a unitary structure having a breakaway joint set between an upper portion and a lower portion, said lower portion having an interconnecting portion with integrated threading;

providing at least one extension fastener, each said extension fastener having a fastener head with a plurality of flat surfaces and internal and external threading configured for adjustable interconnection of said extension fastener with said wall plate interconnection point threading to form a continuous adjustable structure;

providing a cover, said cover having inner flat surfaces and a slit therethrough, said inner flat surfaces configured to house and restrict longitudinal rotation of said extension fastener,

rotatably interconnecting said continuous adjustable structure with said interconnecting portion and further rotatably adjusting said continuous adjustable structure along its longitudinal axis to form a continuous formation with said toilet plate; and

engaging said cover with the exterior of said adjustable structure;

whereby upon interconnection of said continuous formation with said toilet plate, said adjustable spacer is pressure affixed to said toilet tank and said wall through incremental longitudinal rotational adjustment within said wall space stabilizing said adjustable spacer and maintaining appropriate spacing between said toilet and said wall.

2. The method of claim 1, wherein the length of said adjustable spacer from said toilet plate to said wall plate is determined by rotation of said extension fastener within said continuous formation.

3. The method of claim 2, wherein said length of said adjustable spacer is calibrated to be the length between a toilet bowl and said wall; said cover having breakaway joints, and said at least one extension fastener comprises multiple extension fasteners.

9

4. The method of claim 3, wherein said interconnection portion and each said extension fastener includes a six-sided exterior region formed by a plurality of flat surfaces positioned at an angle to each other in a hexagonal fashion, wherein each said extension fastener is rotated and inter-connected until a continuous six sided structure is formed by the exterior of each said extension fastener exterior and said exterior of the interconnection portion, with said exterior flat surfaces of the interconnection portion being aligned with and continuously extending along the flat surfaces of each said extension fastener.

5. The method of claim 4, wherein said continuous six-sided structure extends through said entire space between said wall plate and said toilet plate.

6. The method of claim 3, wherein said toilet plate further comprises a toilet insert configured for placement between a lid of said toilet and said toilet tank, wherein said toilet insert forms a unitary piece with said toilet plate.

7. The method of claim 6, wherein said toilet insert forms an acute or right angle bend with said toilet plate.

8. The method of claim 7, further comprising a step of breaking said toilet plate at said break away joint, and wherein said step of abutting said elongated toilet plate against said toilet tank consists of abutting said lower portion of said toilet plate only.

10

9. The method of claim 8, wherein said toilet plate lower portion further comprises a peel and stick adhesive affixed to the side opposite said interconnecting portion, said adhesive configured for attachment to said toilet tank.

10. The method of claim 9, wherein said wall plate further comprises a peel and stick adhesive affixed to the side opposite said interconnection point, said adhesive configured for attachment to said wall.

11. The method of claim 3, wherein said interconnection portion and each said extension fastener includes a four sided exterior region formed by a plurality of flat surfaces positioned at an angle to each other in a square fashion, wherein each extension fastener is rotated and inter-connected until a continuous four-sided structure is formed by the exterior of each said extension fastener exterior and said exterior of the interconnection portion, with said exterior flat surfaces of the interconnection portion being aligned with and continuously extending along the flat surfaces of each said extension fastener.

12. The method of claim 11, wherein said continuous four-sided structure extends through said entire space between said wall plate and said toilet plate.

* * * * *