



US00D880846S

(12) **United States Design Patent**
Aranbayev

(10) **Patent No.:** **US D880,846 S**

(45) **Date of Patent:** **** Apr. 14, 2020**

(54) **BACKPACK**

(71) Applicant: **Boris Aranbayev**, New York, NY (US)

(72) Inventor: **Boris Aranbayev**, New York, NY (US)

(**) Term: **15 Years**

(21) Appl. No.: **29/653,380**

(22) Filed: **Jun. 14, 2018**

(51) **LOC (12) Cl.** **03-01**

(52) **U.S. Cl.**
USPC **D3/217**

(58) **Field of Classification Search**
USPC D3/201, 213–219, 221, 224, 225, 229,
D3/230, 232, 243–246, 254, 318
CPC A45F 3/04; A45F 4/02; A45F 2200/0525;
A45F 2003/045; A45C 11/00; A45C
13/30; A45C 2011/002; A45C 2011/003;
A45C 2011/001; A45C 15/00

See application file for complete search history.

(56) **References Cited**

U.S. PATENT DOCUMENTS

D506,864 S *	7/2005	Fonfeder	D3/216
D557,009 S *	12/2007	Elmberg	D3/217
8,123,581 B2 *	2/2012	Aschauer	A63B 29/021 116/210
D674,591 S *	1/2013	Hargens	D3/217
D699,943 S *	2/2014	Mather	D3/216
D709,689 S *	7/2014	Brunazzi	D3/217

D725,378 S *	3/2015	Ford	D3/217
D745,777 S *	12/2015	Zwetzig	D3/217
D759,369 S *	6/2016	Mei Yee	D3/216
D829,436 S *	10/2018	Benzon	D3/217
D857,377 S *	8/2019	Hong	D3/217

* cited by examiner

Primary Examiner — Jennifer L Watkins

(74) *Attorney, Agent, or Firm* — Michael J. Feigin, Esq.;
Feigin and Fridman LLC

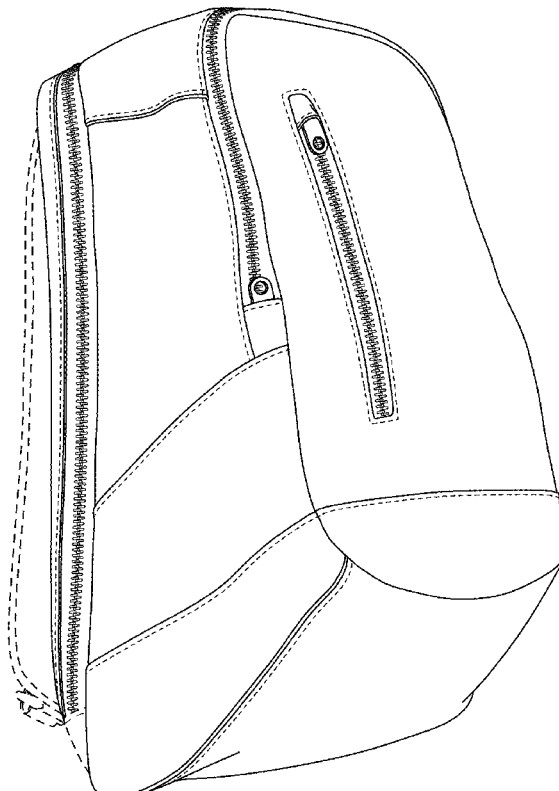
(57) **CLAIM**

The ornamental design for a backpack, as shown and described.

DESCRIPTION

FIG. 1 shows a top and side perspective view of a backpack.
FIG. 2 shows a front view thereof.
FIG. 3 shows a first side view thereof.
FIG. 4 shows a second side view thereof.
FIG. 5 shows a top plan view thereof; and,
FIG. 6 shows a bottom plan view thereof.
The smaller-length dotted lines reflect stitching and are part of the claimed design. The longer-length dotted lines show portions of the backpack and form no part of the claimed design.

1 Claim, 6 Drawing Sheets



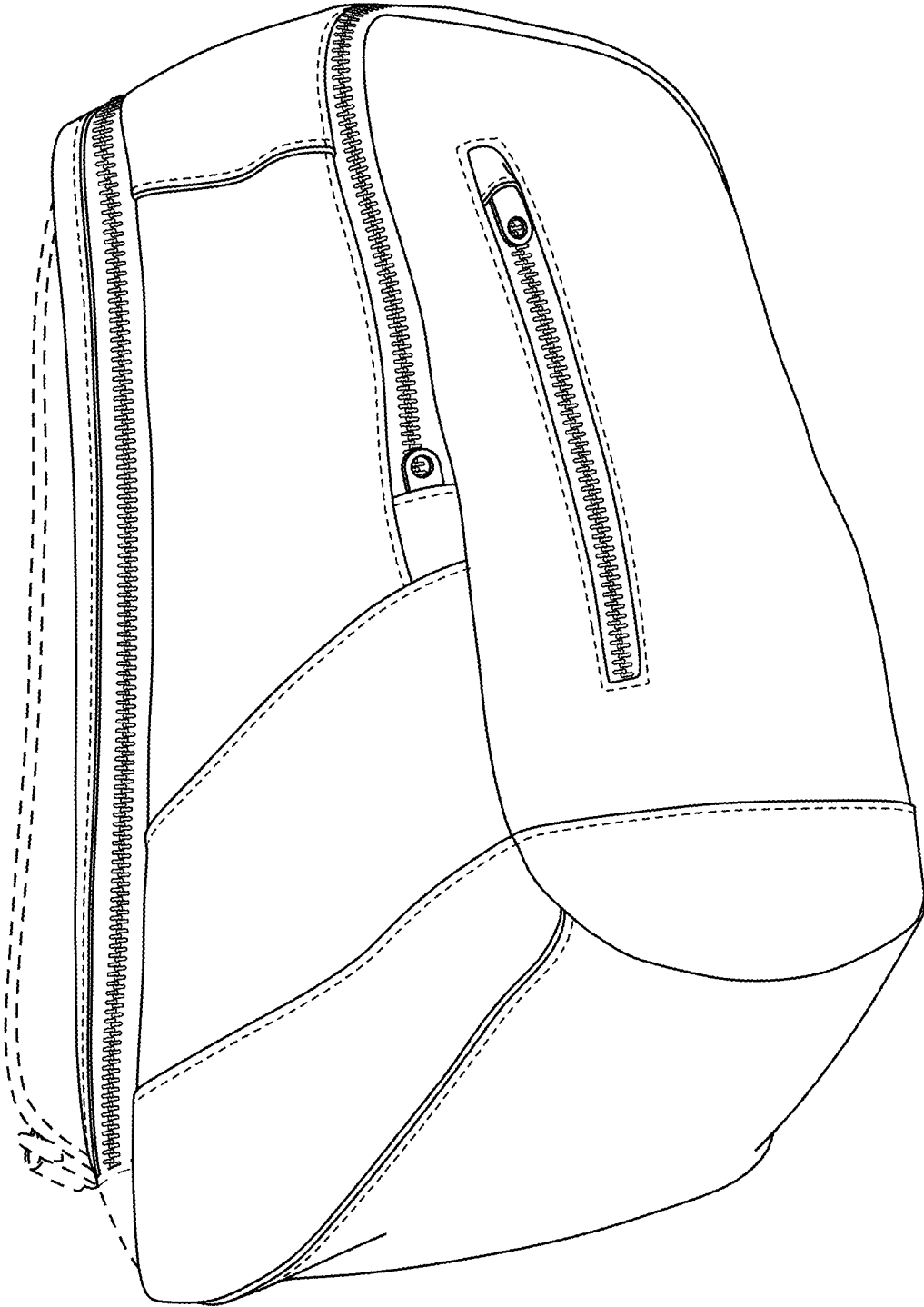


FIG. 1

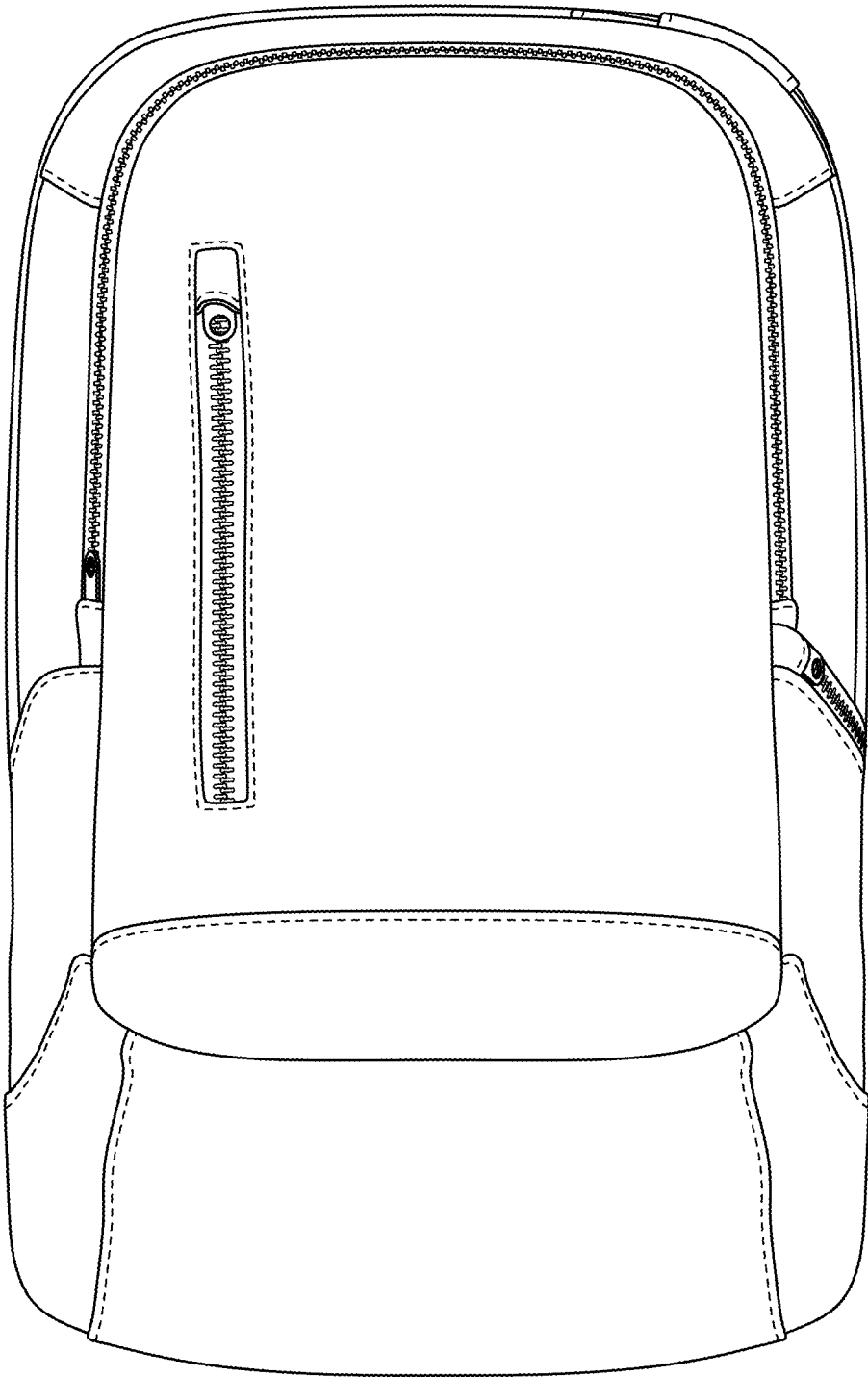


FIG. 2

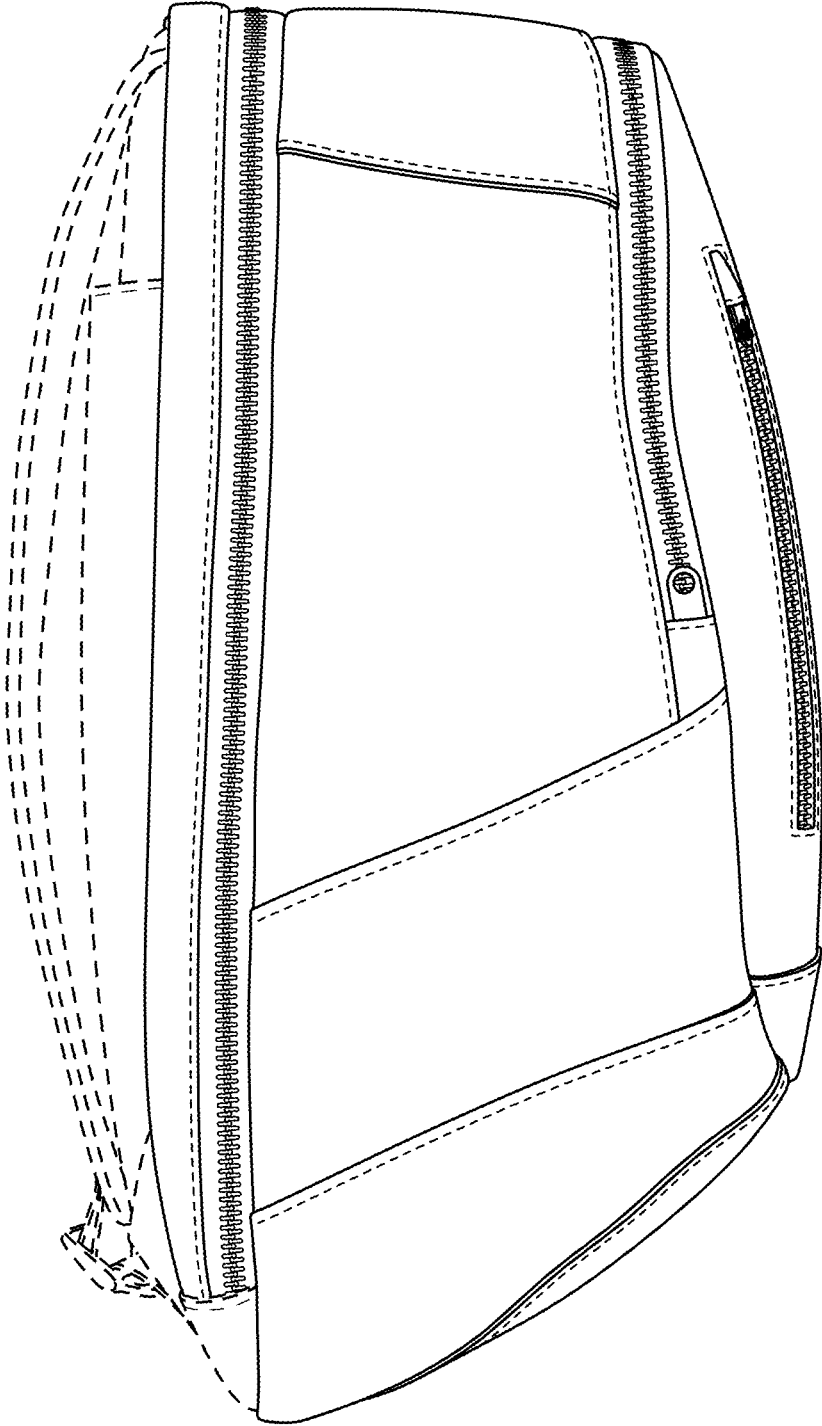


FIG. 3

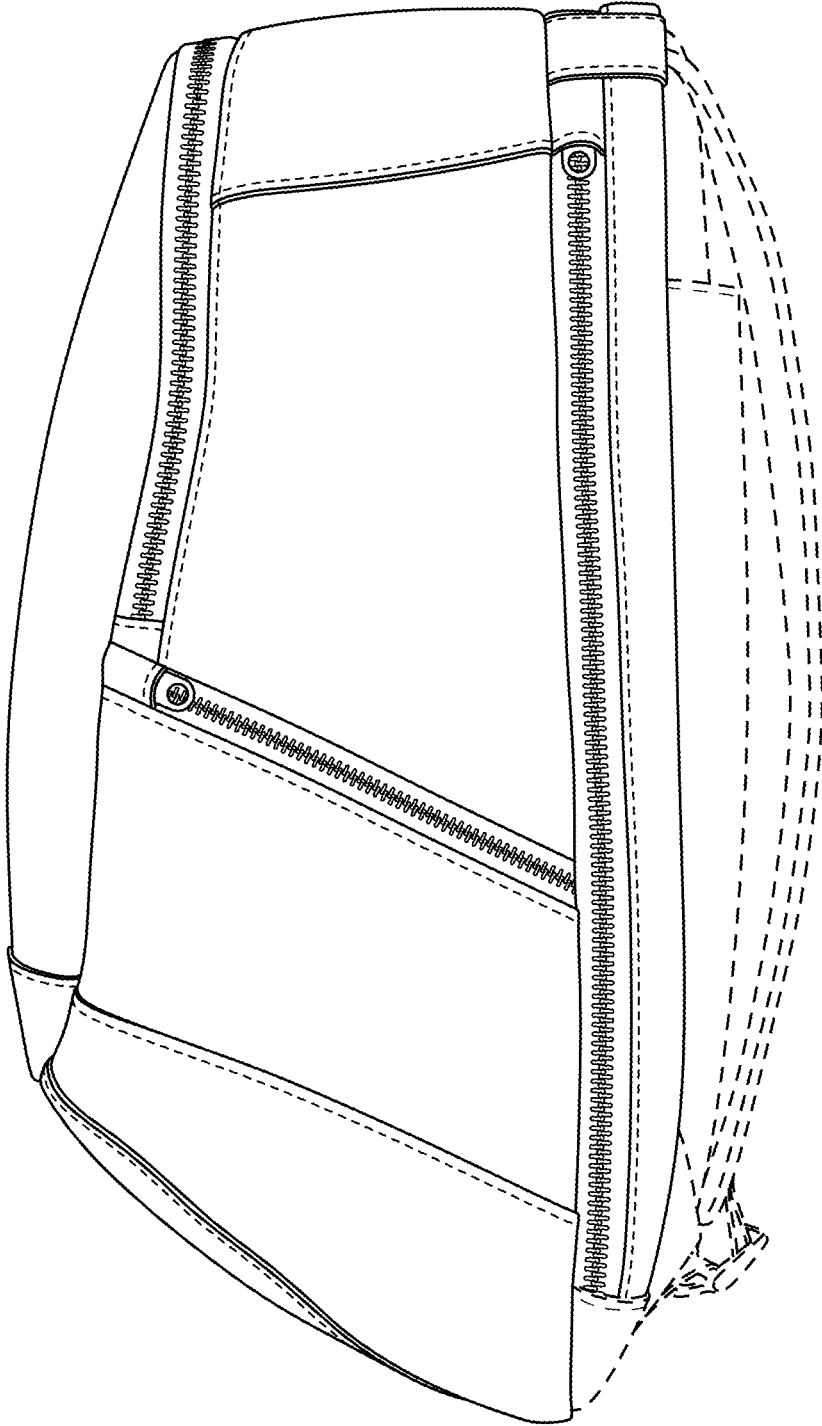


FIG. 4

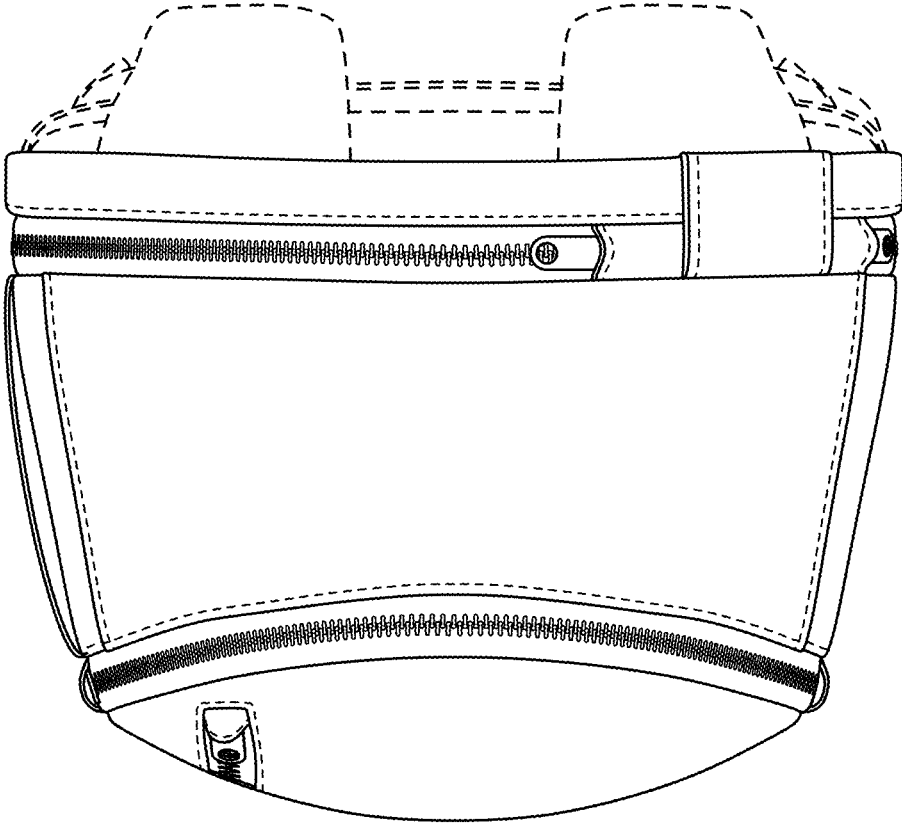


FIG. 5

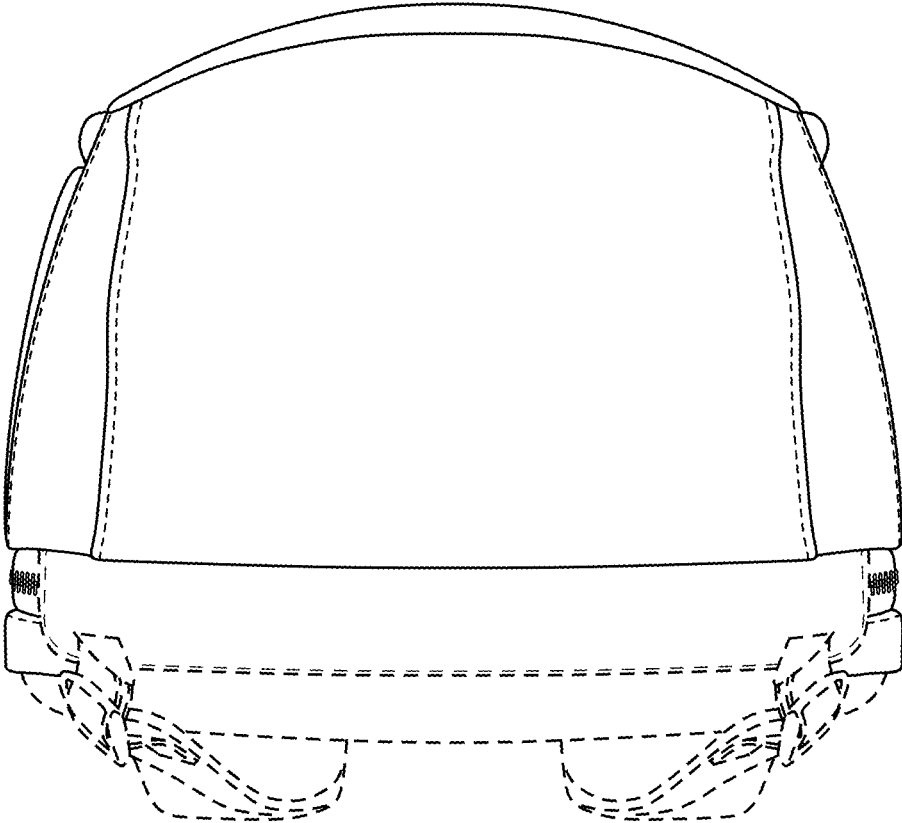


FIG. 6