



US00D825704S

(12) **United States Design Patent**
Shirley-Smith

(10) **Patent No.:** **US D825,704 S**

(45) **Date of Patent:** **** Aug. 14, 2018**

- (54) **TENT MAT**
- (71) Applicant: **TENTSILE LTD**, London (GB)
- (72) Inventor: **Alex Shirley-Smith**, London (GB)
- (**) Term: **15 Years**
- (21) Appl. No.: **29/596,390**
- (22) Filed: **Mar. 8, 2017**
- (51) **LOC (11) Cl.** **21-04**
- (52) **U.S. Cl.**
USPC **D21/834**
- (58) **Field of Classification Search**
USPC D21/834, 835, 836, 837, 838, 839, 840
CPC E04H 15/00; E04H 15/02; E04H 15/18;
E04H 15/28; E04H 15/32; E04H 15/34;
E04H 15/40; E04H 15/42; E04H 15/425;
E04H 15/50
See application file for complete search history.

| | | | | |
|--------------|---------|---------------|-------|---------|
| D755,322 S * | 5/2016 | Shirley-Smith | | D21/839 |
| D768,797 S * | 10/2016 | Shirley-Smith | | D21/834 |
| D774,614 S * | 12/2016 | Shirley-Smith | | D21/834 |
| D781,389 S * | 3/2017 | Shirley-Smith | | D21/839 |
| D804,835 S * | 12/2017 | Wehner | | D6/347 |

* cited by examiner

Primary Examiner — Robin V Webster

Assistant Examiner — Keith J Wilson

(74) *Attorney, Agent, or Firm* — Michael J. Feigin, Esq.;
Feigin and Fridman

(57) **CLAIM**

The ornamental design for a tent mat, as shown and described.

DESCRIPTION

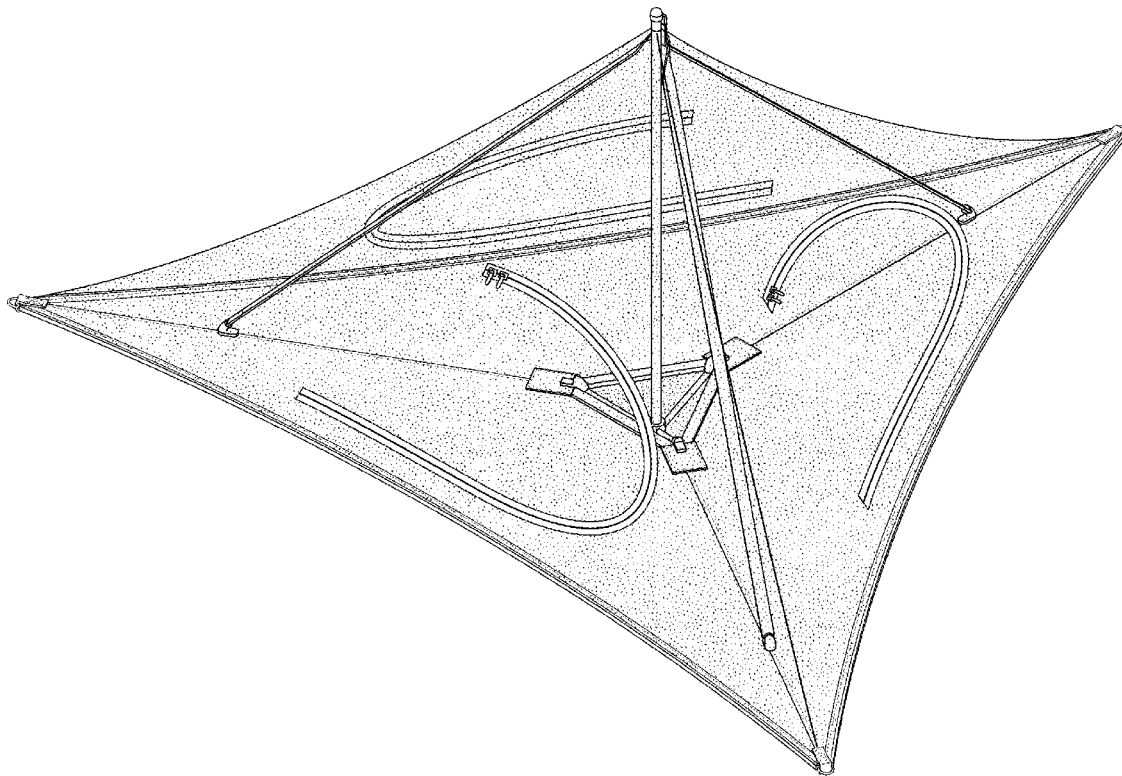
FIG. 1 shows a top perspective view of a tent mat.
 FIG. 2 shows a bottom perspective view thereof.
 FIG. 3 shows a top plan view thereof.
 FIG. 4 shows a bottom plan view thereof.
 FIG. 5 shows a side elevation view thereof.
 FIG. 6 shows a second side elevation view thereof; and,
 FIG. 7 shows a rear elevation view thereof.
 The broken line shown represents stitching and forms part of the claimed design.

(56) **References Cited**

U.S. PATENT DOCUMENTS

| | | | | |
|--------------|--------|---------------|-------|---------|
| D711,999 S * | 8/2014 | Shirley-Smith | | D21/837 |
| D721,153 S * | 1/2015 | Shirley-Smith | | D21/837 |

1 Claim, 7 Drawing Sheets



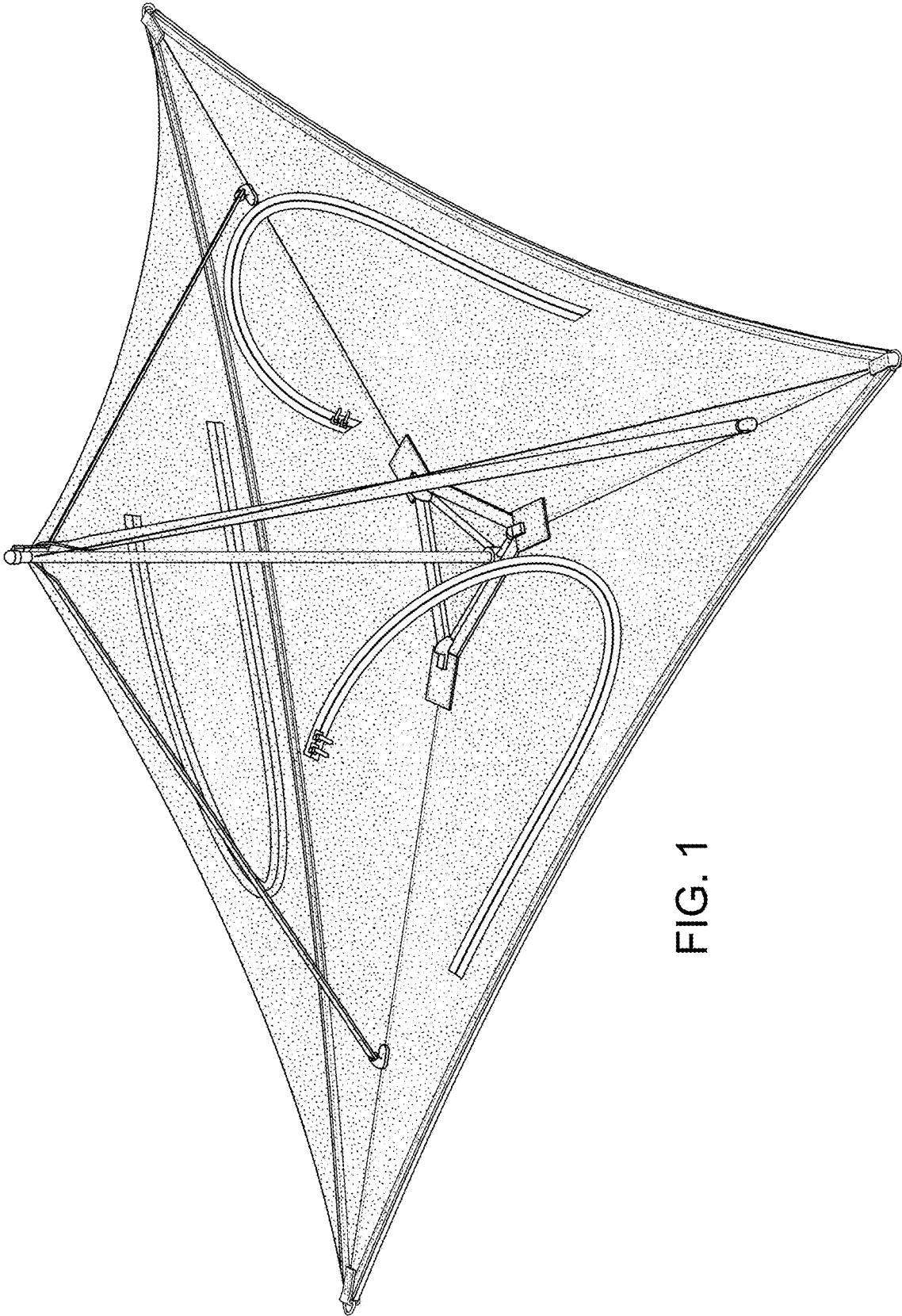


FIG. 1

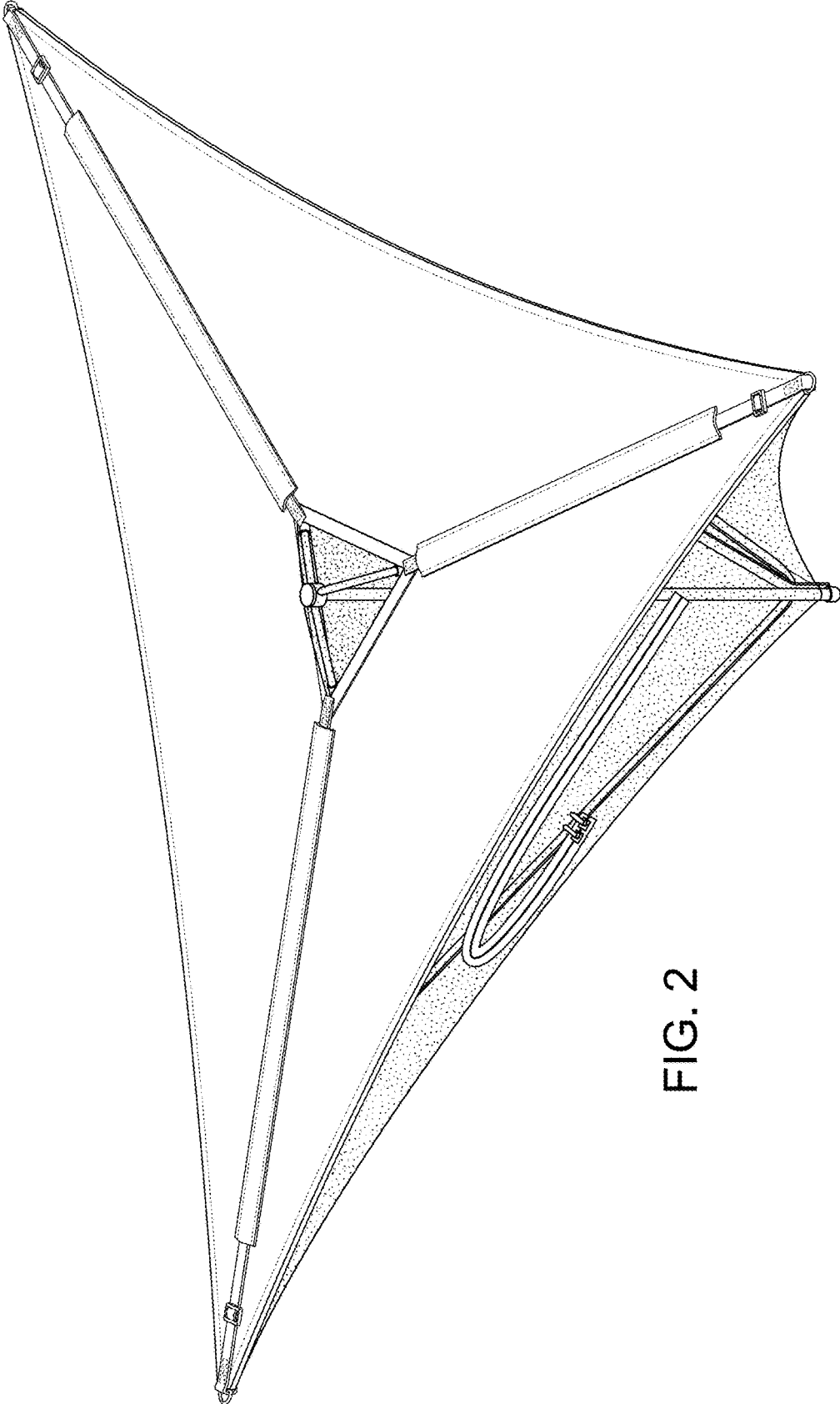


FIG. 2

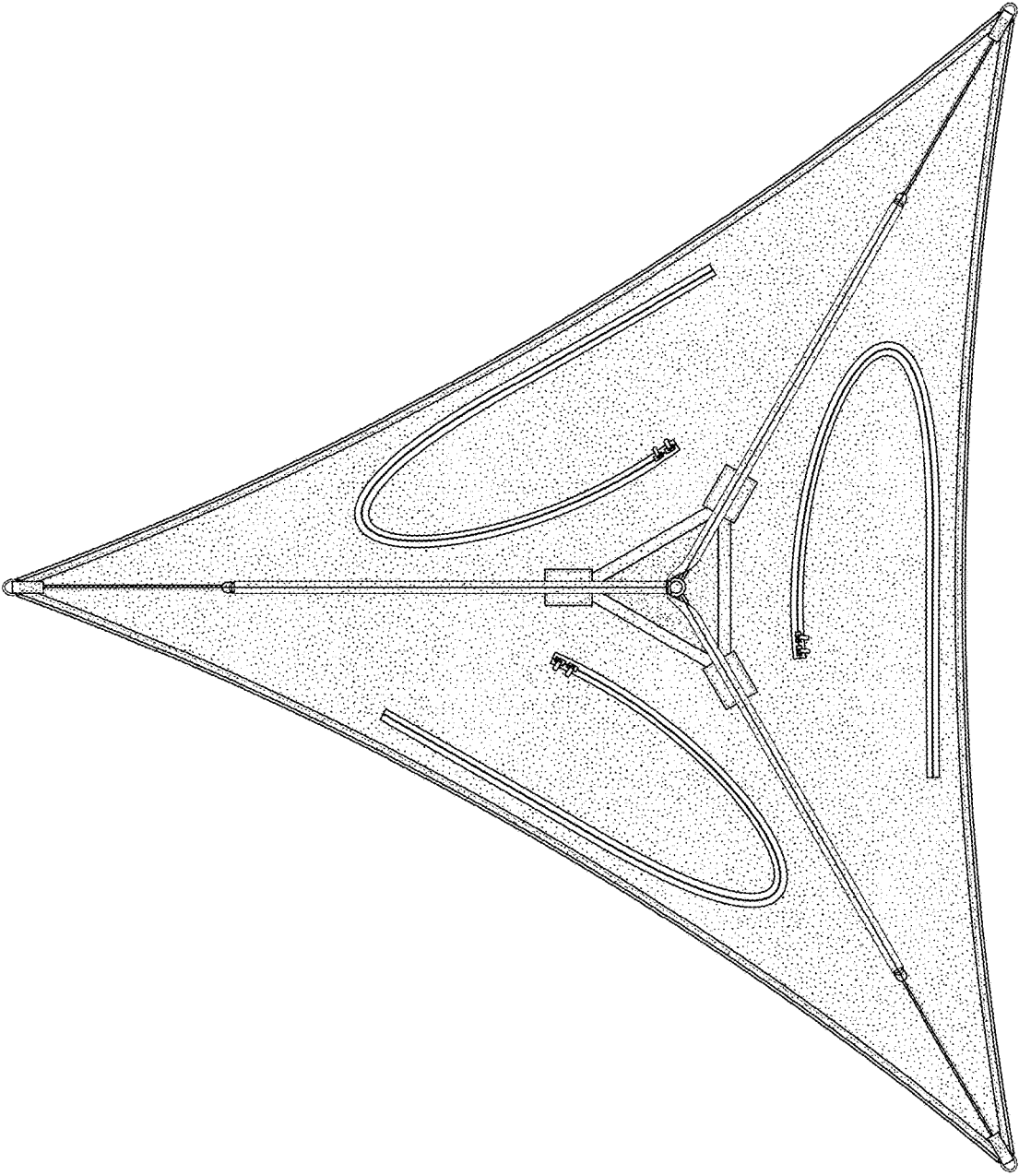


FIG. 3

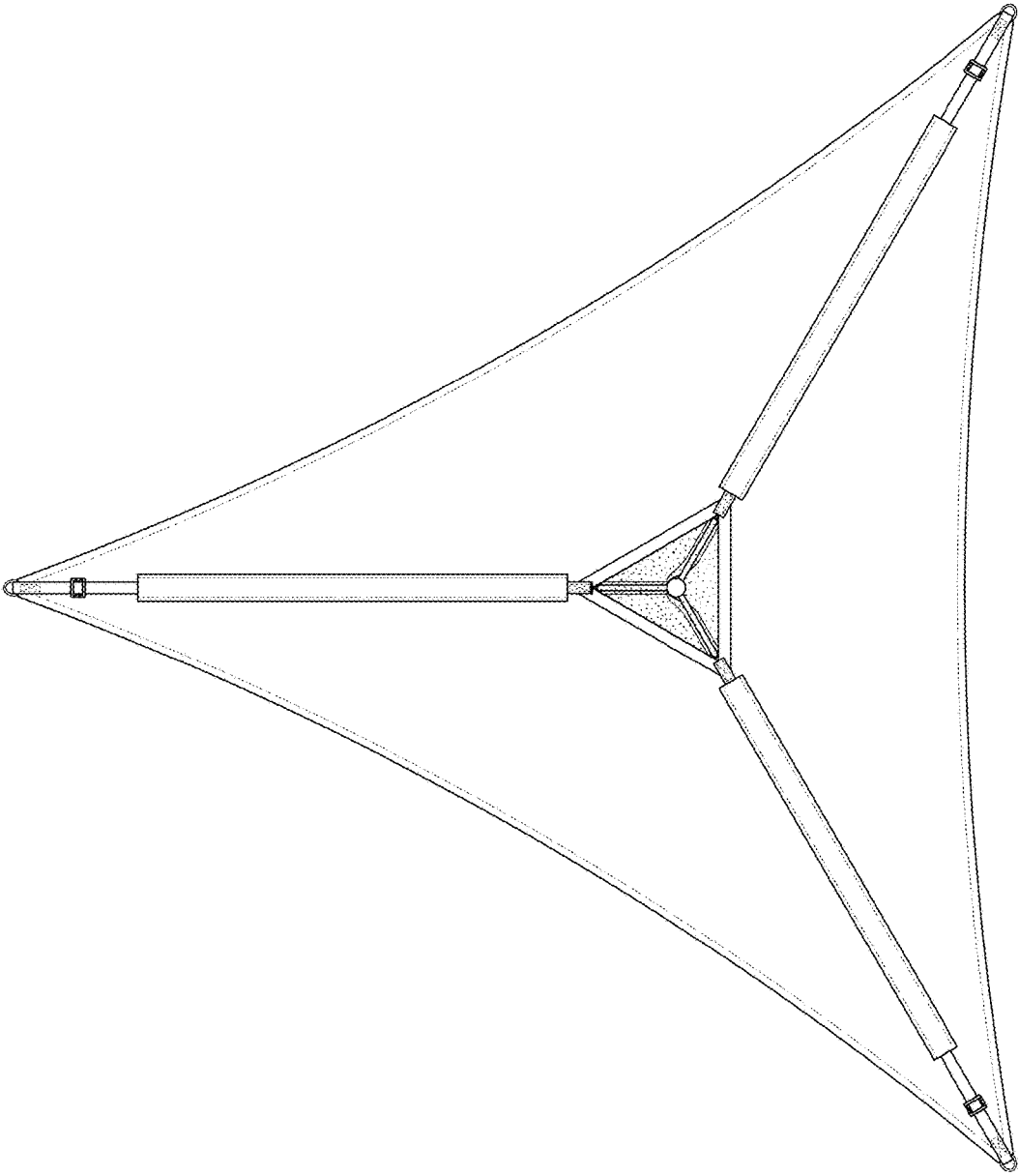


FIG. 4

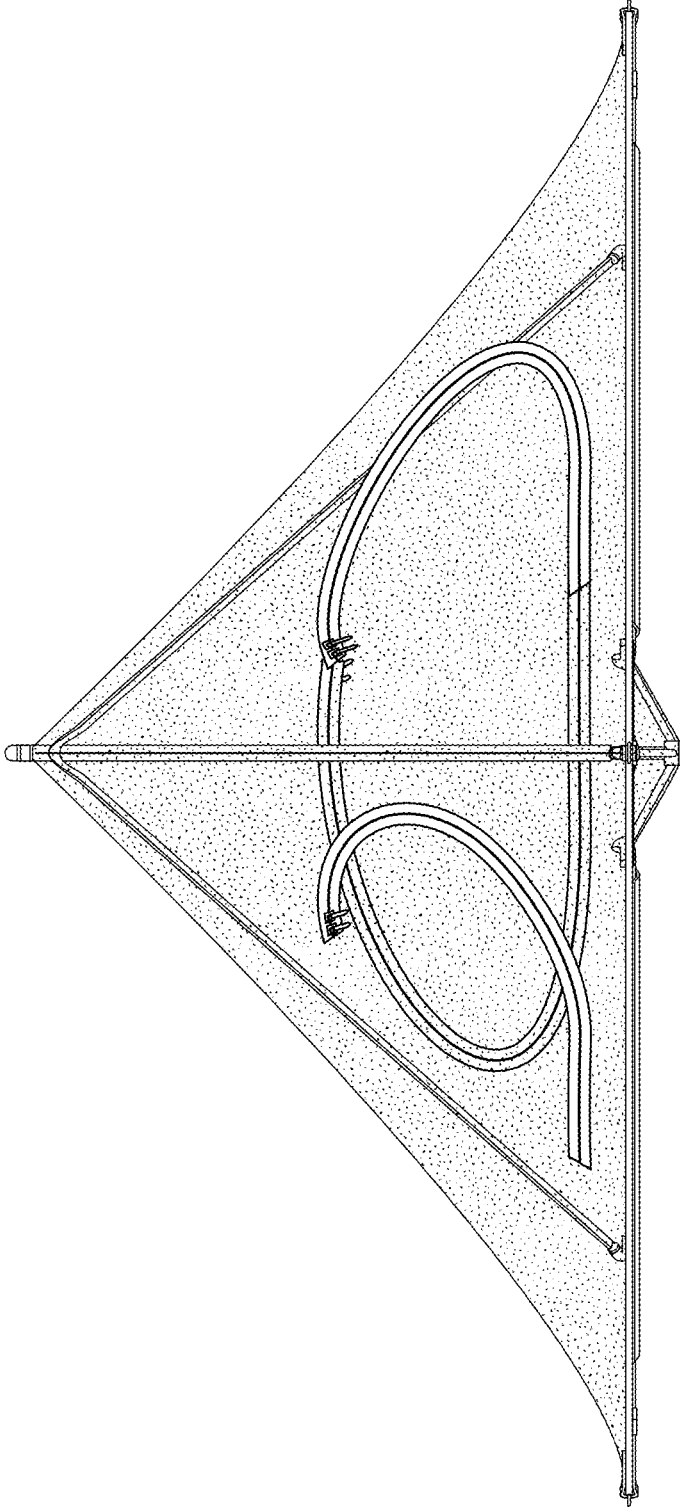


FIG. 5

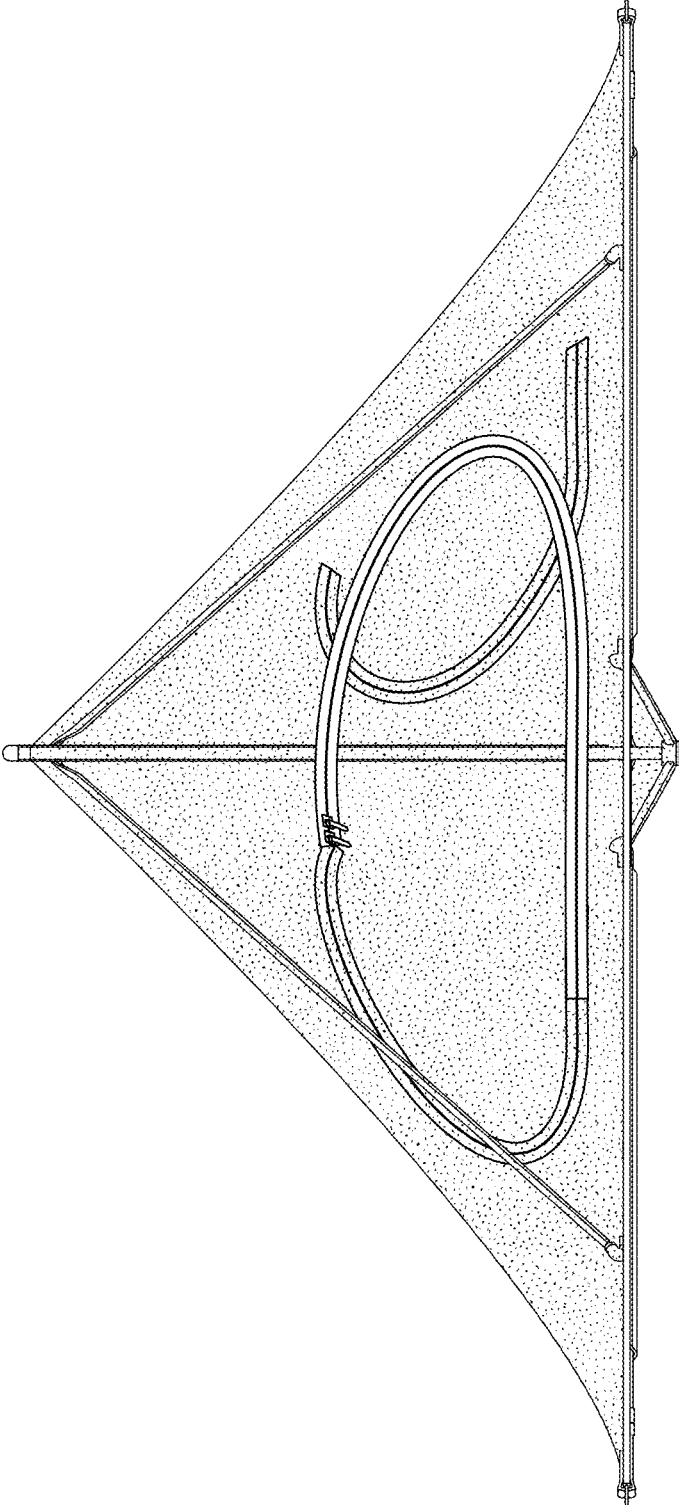


FIG. 6

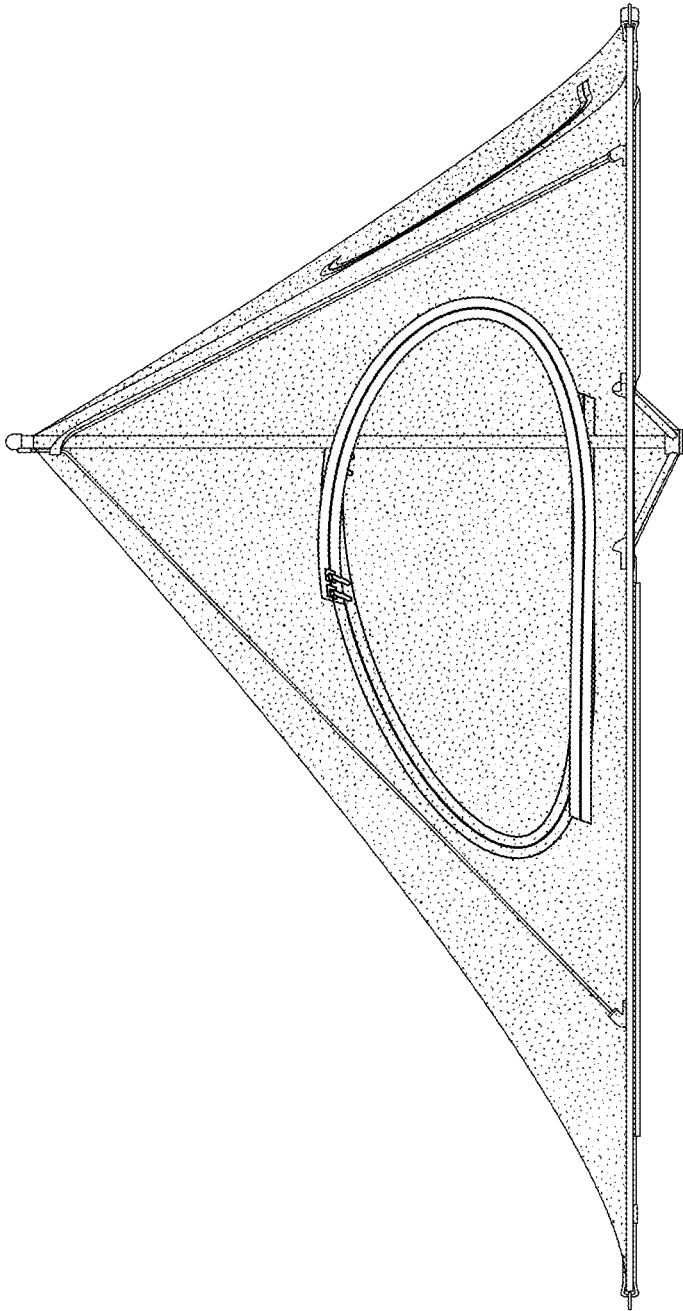


FIG. 7