



US00D827612S

(12) **United States Design Patent**
Srouer

(10) **Patent No.:** **US D827,612 S**

(45) **Date of Patent:** **** Sep. 4, 2018**

(54) **PHONE ACCESSORY**

(71) Applicant: **Ikey Srouer**, Brooklyn, NY (US)

(72) Inventor: **Ikey Srouer**, Brooklyn, NY (US)

(**) Term: **15 Years**

(21) Appl. No.: **29/603,956**

(22) Filed: **May 15, 2017**

(51) **LOC (11) Cl.** **14-03**

(52) **U.S. Cl.**
USPC **D14/217**

(58) **Field of Classification Search**

USPC D14/217, 250, 251, 252, 253, 451, 452,
D14/440, 434, 447, 458, 432, 439, 457,
D14/460, 238.1, 140, 142, 149, 148;
D9/434, 435, 454

CPC .. H04M 1/04; H04M 1/6075; H04M 1/72569;
H04M 1/72577; H04M 17/026; H04M
1/006; H04M 1/0214; H04M 1/0233;
H04M 1/0254; H04M 1/0264; H04M
1/0279; H04M 1/18; H04M 1/6091;
H04M 1/723; H04M 1/725; H04M
2207/206; H04M 2250/16; H04M 1/15;
H04B 1/3888

See application file for complete search history.

(56) **References Cited**

U.S. PATENT DOCUMENTS

D327,808	S *	7/1992	Kline	D7/391
D352,896	S *	11/1994	Jones	D9/503
D512,914	S *	12/2005	Moretti	D9/454
D536,614	S *	2/2007	Peterson	D9/454
D633,644	S *	3/2011	Sprengers	D26/89
8,186,642	B2 *	5/2012	Weiss-Vons	B65H 75/143 248/205.5
8,560,031	B2 *	10/2013	Barnett	F16M 11/10 455/575.8
D693,818	S *	11/2013	Webber	D14/439

D694,463	S *	11/2013	Sieczkowski	D26/124
8,737,066	B1 *	5/2014	Block	A45F 5/00 224/217
D714,126	S *	9/2014	Pyon	D8/349
D756,222	S *	5/2016	Lopez	D23/260
D766,228	S *	9/2016	Haymond	D14/252
D769,859	S *	10/2016	Herbst	D14/253
9,486,910	B2 *	11/2016	Stevens	F16M 11/041
D774,887	S *	12/2016	Torrison	D9/416
D776,529	S *	1/2017	Torrison	D9/435
D781,832	S *	3/2017	Snitko	D14/250
D784,811	S *	4/2017	Scevola	D7/387
D792,220	S *	7/2017	Simons	D7/396.2
D794,456	S *	8/2017	Rockwell	D9/434
D794,607	S *	8/2017	Srouer	D14/217
D801,176	S *	10/2017	Lynd	D9/454
9,787,348	B2 *	10/2017	Srouer	H04B 1/3888
D804,306	S *	12/2017	Simons	D9/454
D807,746	S *	1/2018	Fleming	D9/454
9,970,589	B2 *	5/2018	Hobbs	F16M 11/06
2012/0042476	A1 *	2/2012	Karmatz	B25G 1/102 16/421

(Continued)

Primary Examiner — Ian Simmons

Assistant Examiner — Khawaja Anwar

(74) *Attorney, Agent, or Firm* — Michael J. Feigin, Esq.;
Feigin and Fridman LLC

(57) **CLAIM**

The ornamental design for a phone accessory, as shown and described.

DESCRIPTION

FIG. 1 shows a top and side perspective view of a phone accessory.

FIG. 2 shows a bottom and reverse side perspective view thereof.

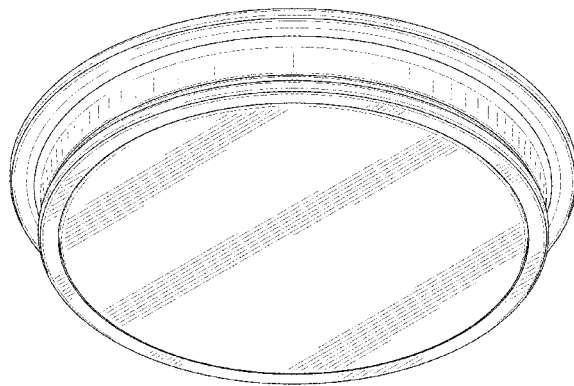
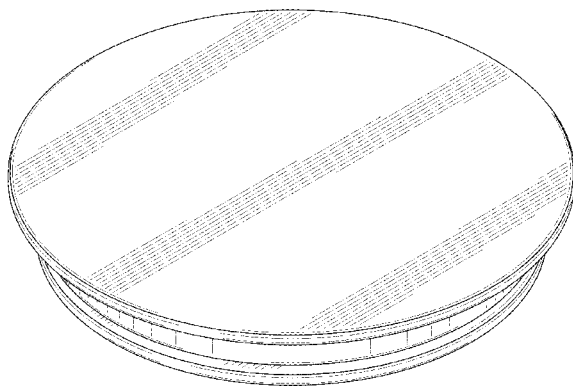
FIG. 3 shows a elevation view thereof.

FIG. 4 shows a reverse side elevation view thereof.

FIG. 5 shows a bottom plan view thereof; and,

FIG. 6 shows a top plan view thereof.

1 Claim, 5 Drawing Sheets



(56)

References Cited

U.S. PATENT DOCUMENTS

2012/0104185 A1* 5/2012 Carroll F16M 11/041
248/27.1

* cited by examiner

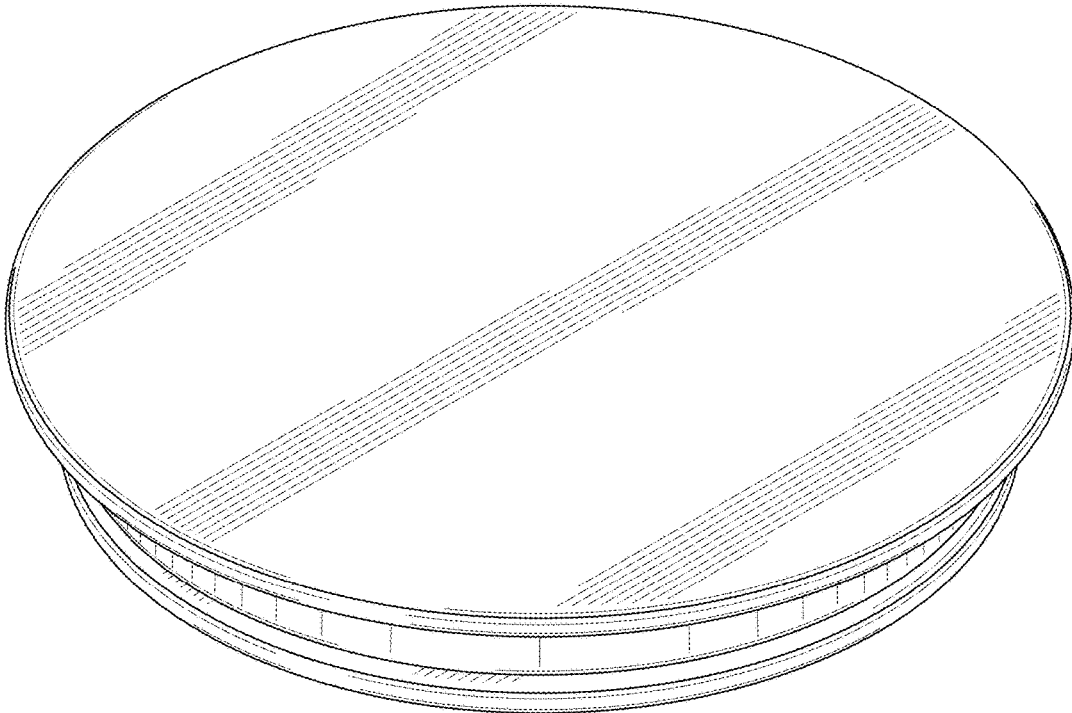


FIG. 1

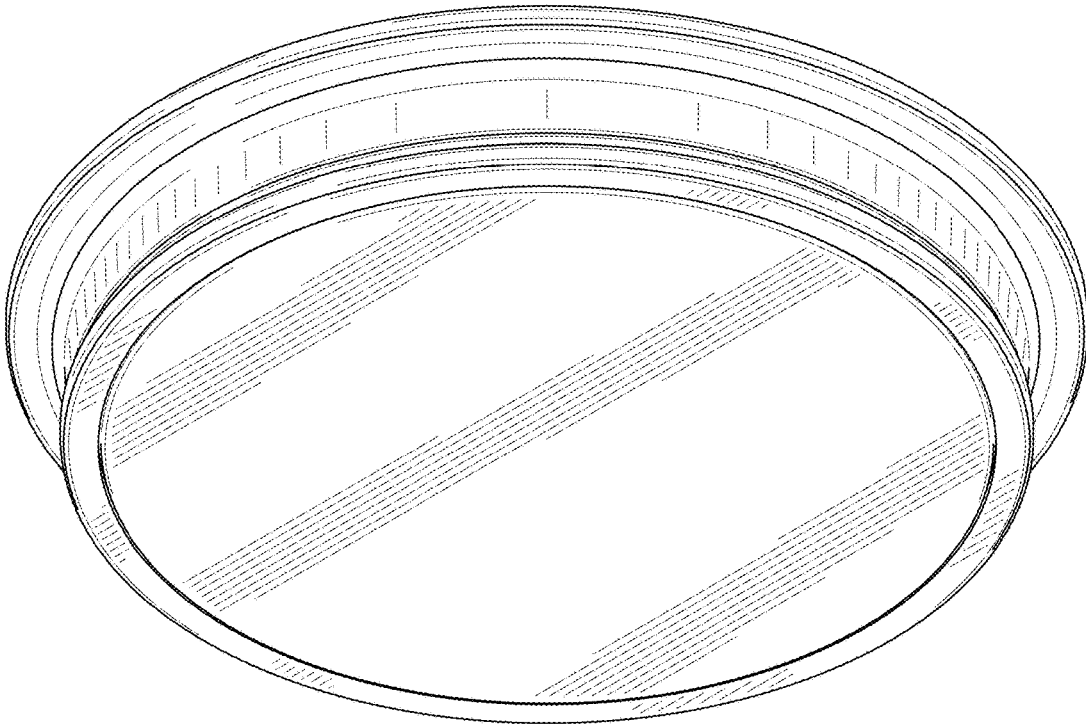


FIG. 2

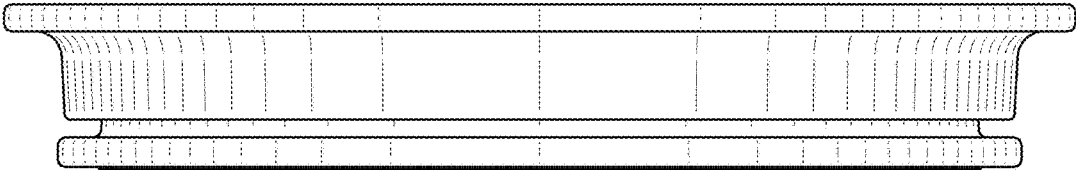


FIG. 3



FIG. 4

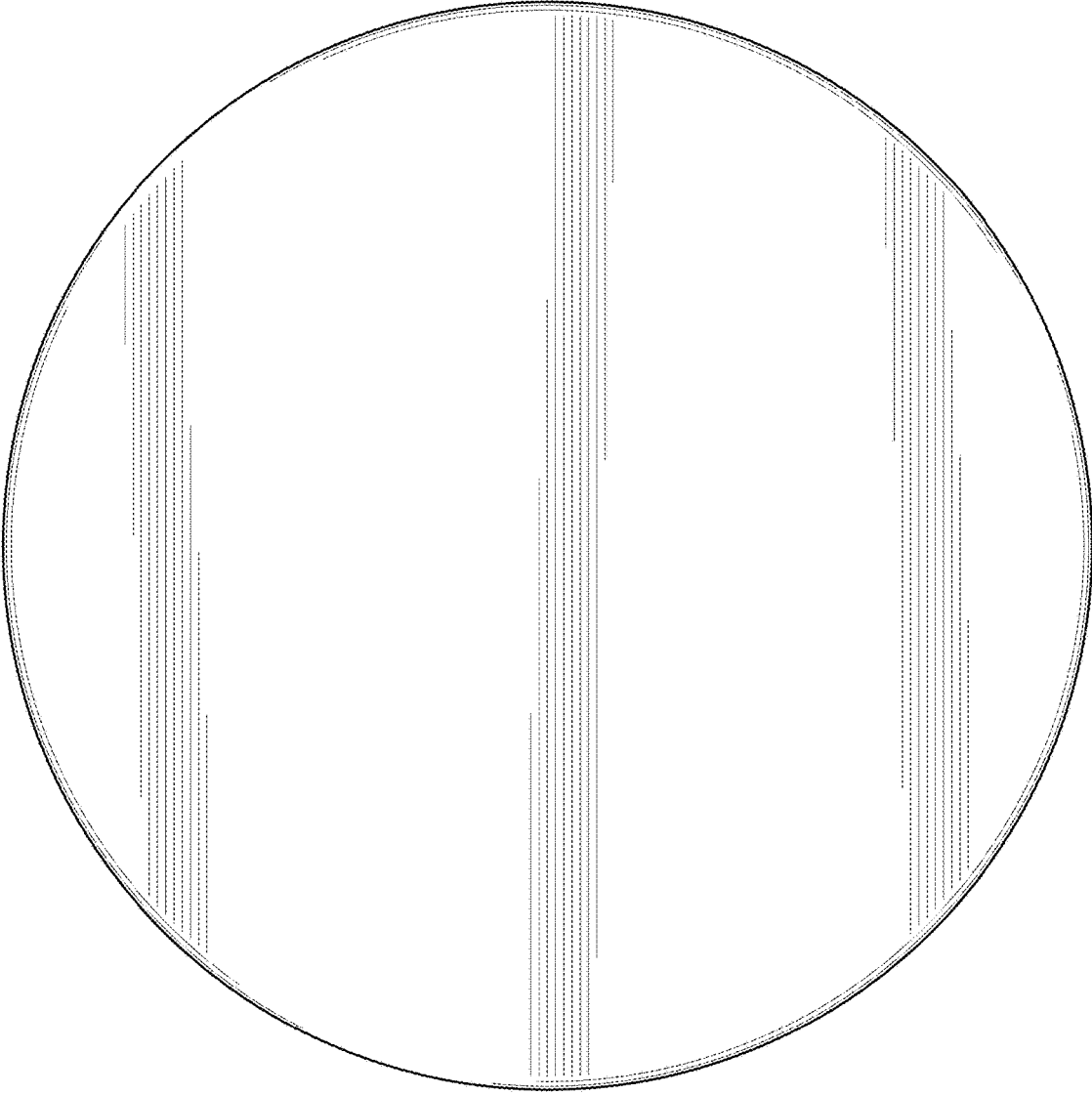


FIG. 5

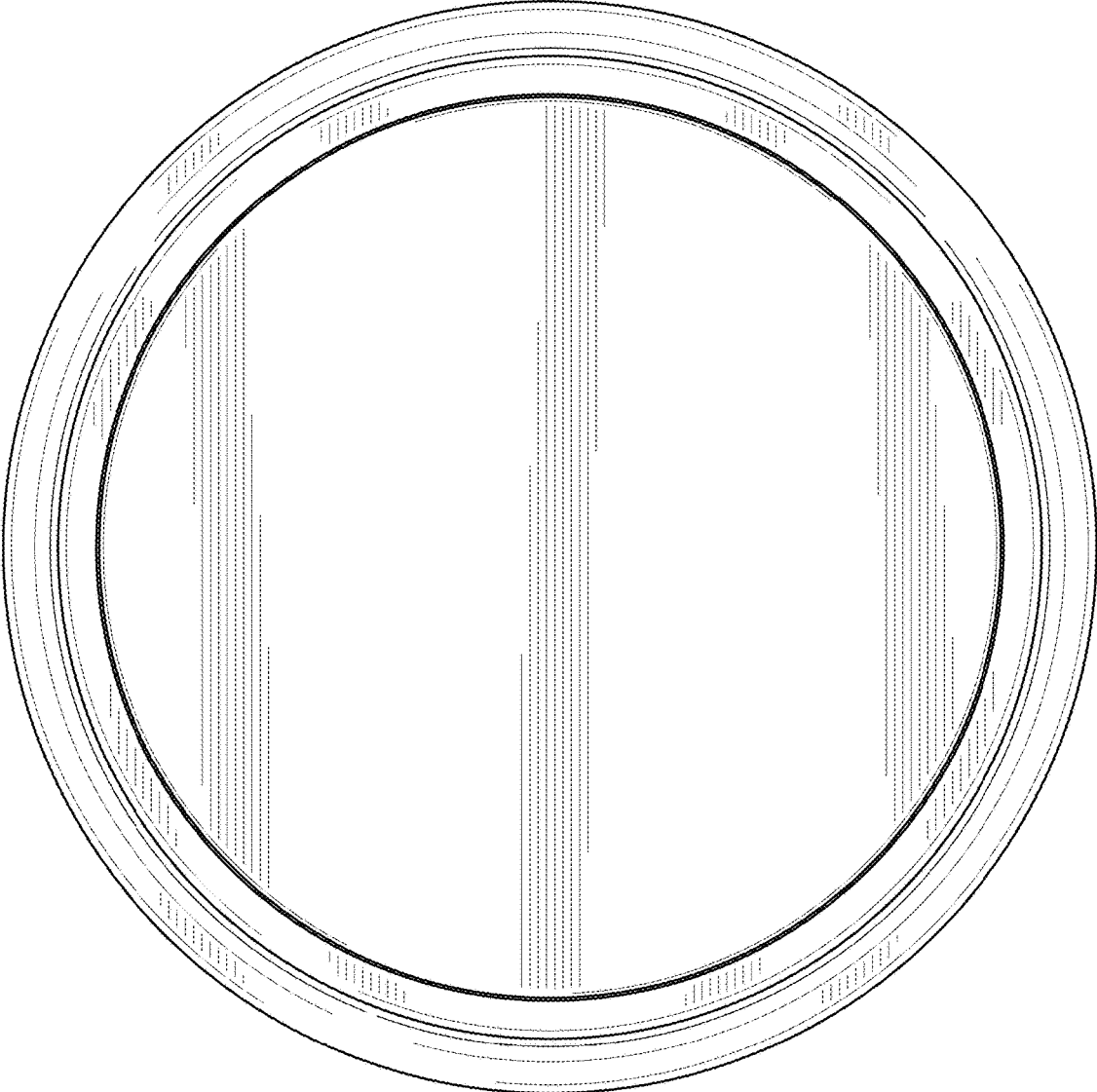


FIG. 6