



US00D828970S

(12) **United States Design Patent**  
**Harbhajan**

(10) **Patent No.:** **US D828,970 S**

(45) **Date of Patent:** **\*\* Sep. 18, 2018**

(54) **IN-GARBAGE LID CONTAINER**  
(71) Applicant: **Saish Harbhajan**, Jamaica, NY (US)  
(72) Inventor: **Saish Harbhajan**, Jamaica, NY (US)  
(\*\*) Term: **15 Years**

D519,257 S	4/2006	de Winter	.....	D34/11
D550,918 S	9/2007	Wang	.....	D34/11
D566,924 S	4/2008	Shek	.....	D34/11
D670,059 S	10/2012	Katechis	.....	D34/9
D727,585 S	4/2015	Busch	.....	D34/11
D733,384 S	6/2015	Lloyd	.....	D34/7
2010/0326988 A1	12/2010	Vogel	.....	B65D 25/32 220/254.1

(21) Appl. No.: **29/589,082**

*Primary Examiner* — Cynthia Ramirez

(74) *Attorney, Agent, or Firm* — Michael J. Feigin, Esq.;  
Feigin and Fridman LLC

(22) Filed: **Dec. 28, 2016**

(51) **LOC (11) Cl.** ..... **09-09**

(57) **CLAIM**

The ornamental design for an in-garbage lid container, as shown and described.

(52) **U.S. Cl.**

USPC ..... **D34/10**

**DESCRIPTION**

(58) **Field of Classification Search**

USPC ..... D34/1-11; 220/810, 814, 254.1, 254.2,  
220/254.3, 254.4, 908-913

CPC ..... B65D 2543/00092; B65D 2543/00296;  
B65D 47/0847; B65D 47/0833; B65D  
61/022; B65F 1/1607

See application file for complete search history.

FIG. 1 shows a front perspective view of an in-garbage lid container.

FIG. 2 shows a rear perspective view thereof.

FIG. 3 shows a front elevation view thereof.

FIG. 4 shows a rear elevation view thereof.

FIG. 5 shows a top plan view thereof.

FIG. 6 shows a bottom plan view thereof; and,

FIG. 7 shows a side elevation view, the other side being a mirror image thereof.

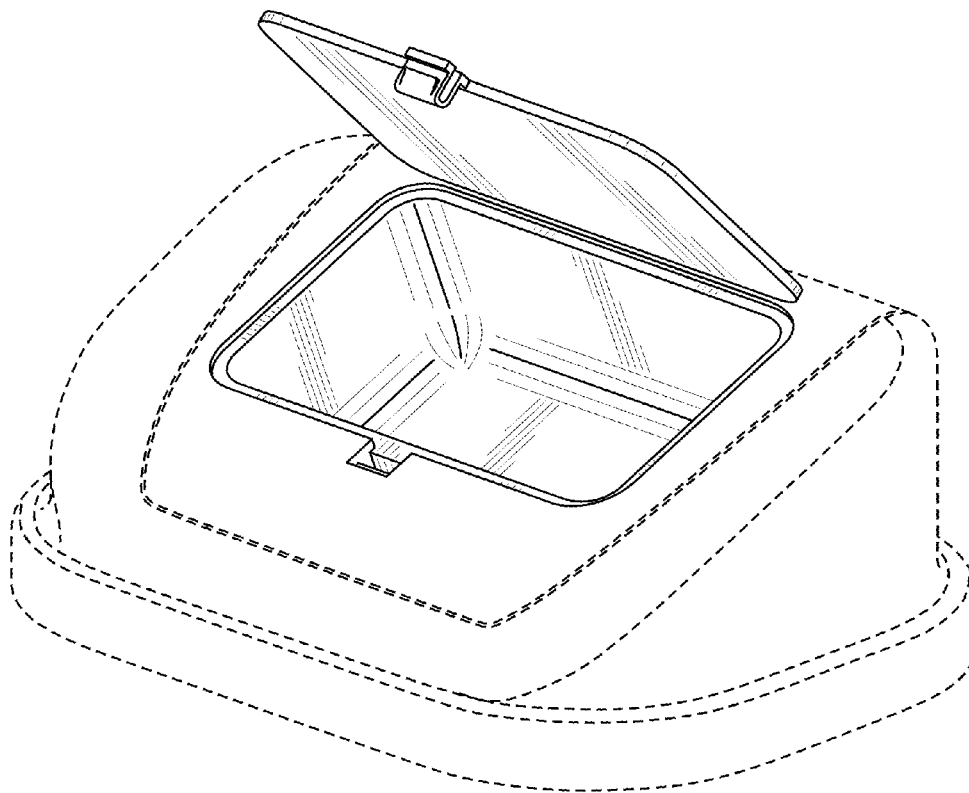
The broken lines are included for the purpose of illustrating portions of the in-garbage lid container that form no part of the claimed design.

(56) **References Cited**

**U.S. PATENT DOCUMENTS**

4,739,900 A	4/1988	Borst	.....	B65D 47/0833 220/315
D331,133 S	11/1992	Edwards	.....	D34/10
D410,576 S	6/1999	Edwards	.....	D34/10
D414,908 S	10/1999	Mockett	.....	D34/10

**1 Claim, 7 Drawing Sheets**



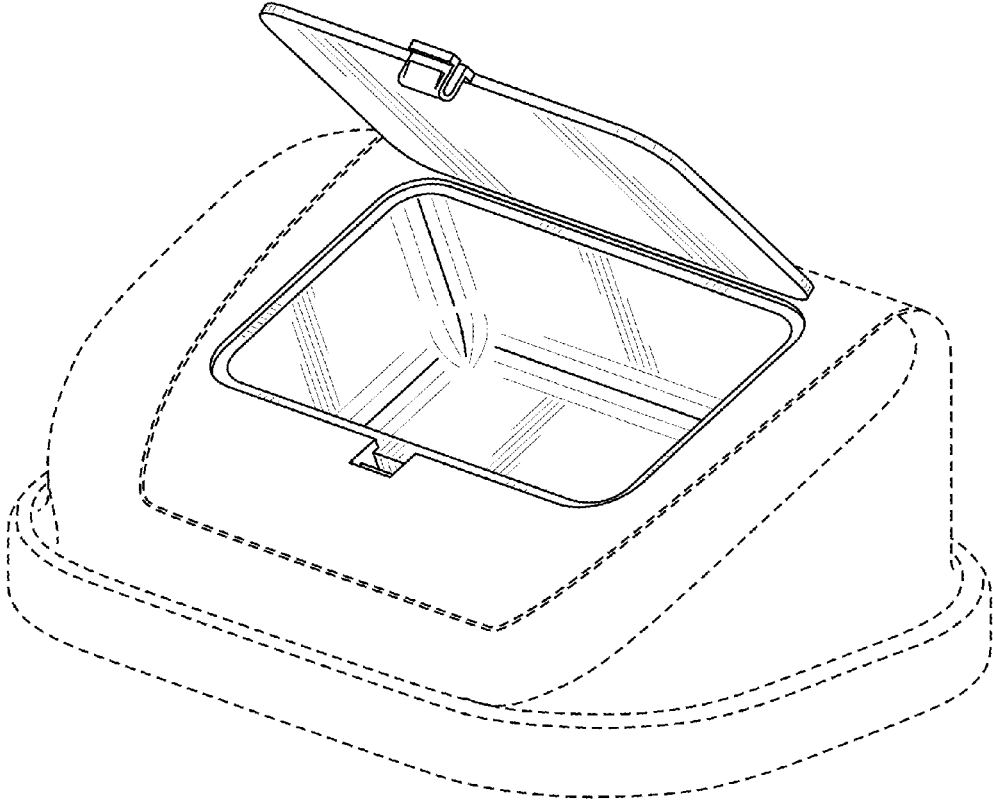


FIG. 1

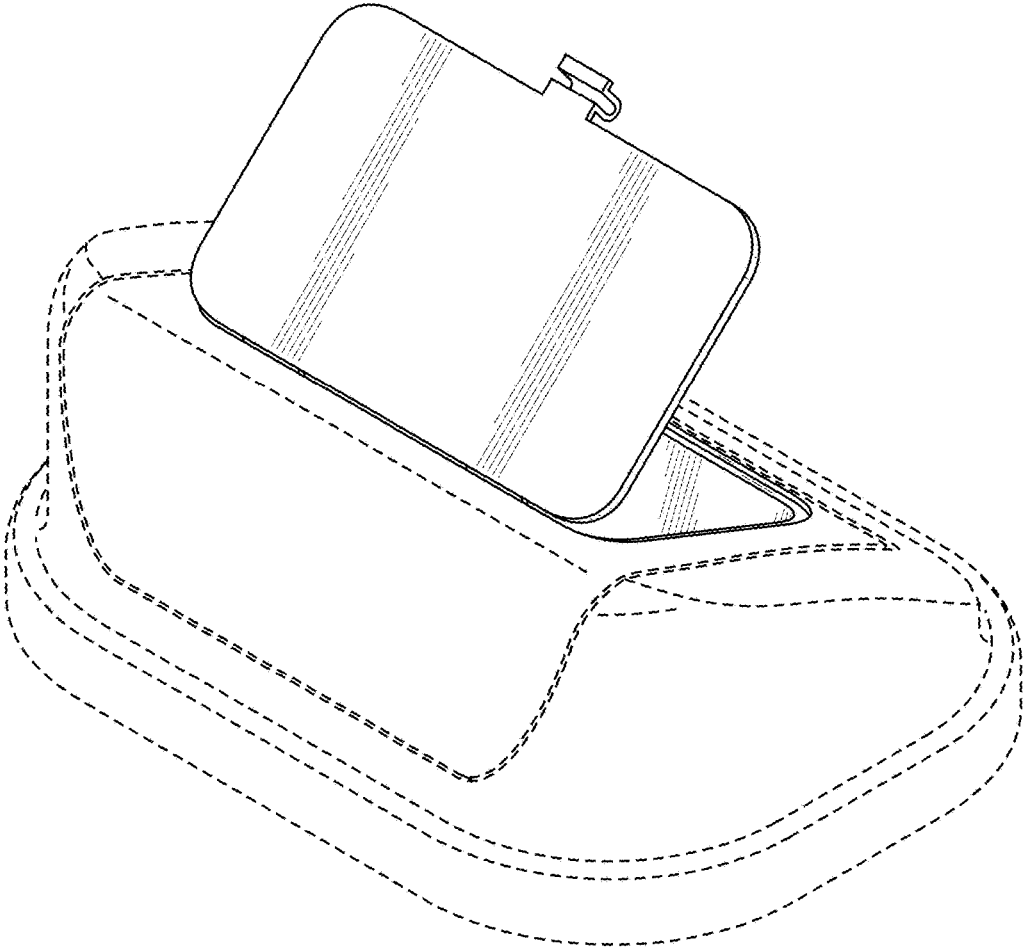


FIG. 2

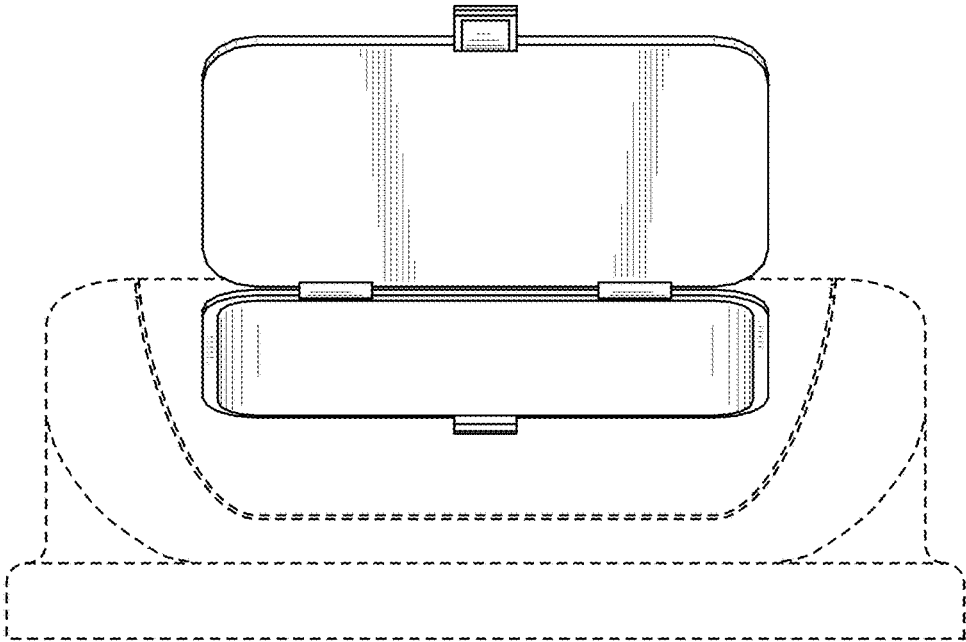


FIG. 3

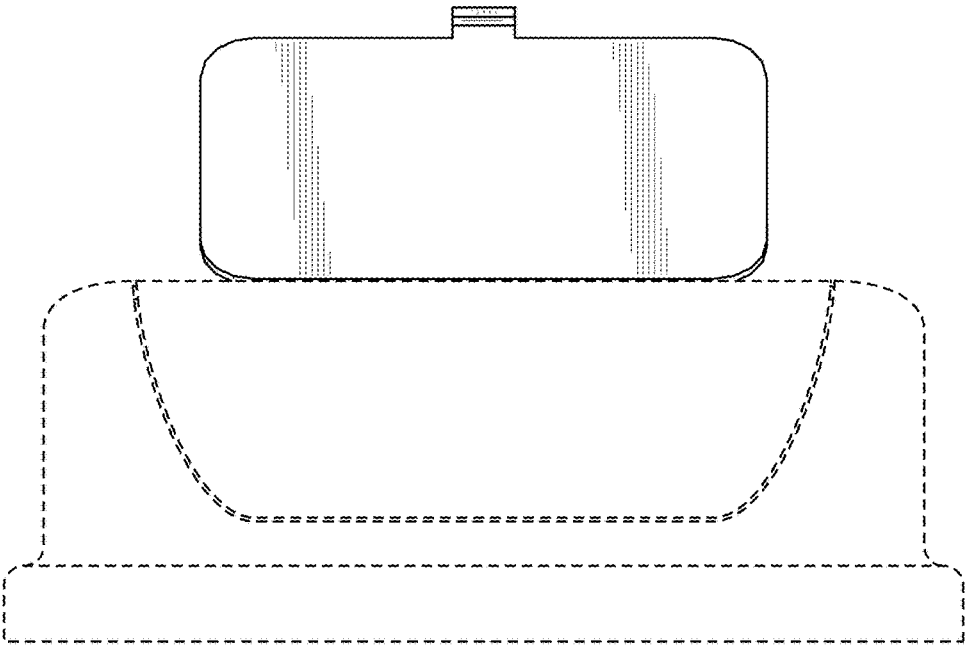


FIG. 4

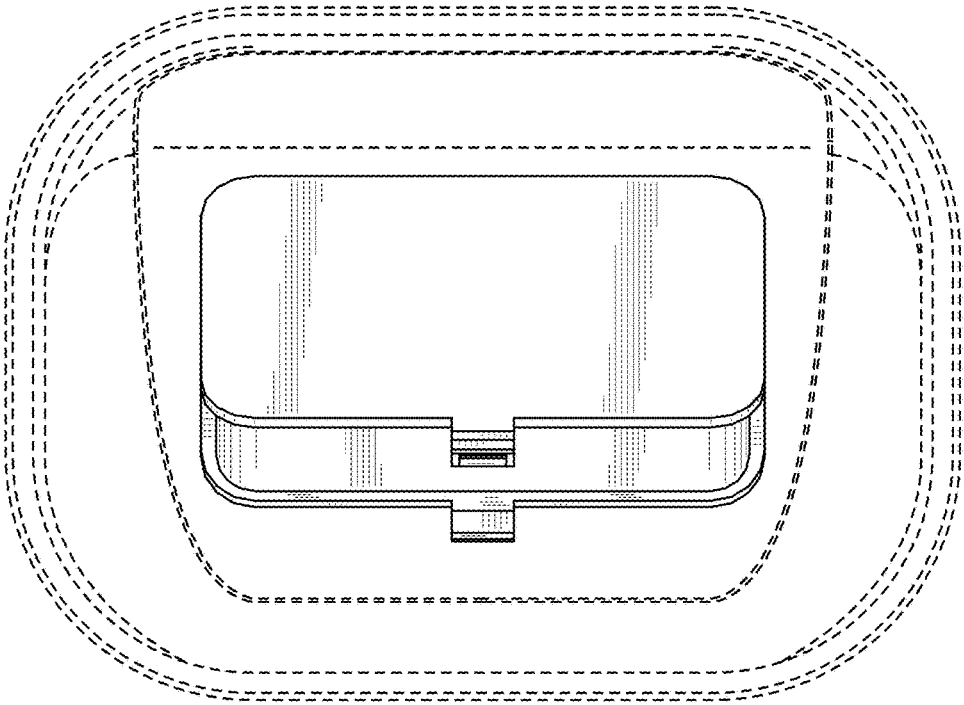


FIG. 5

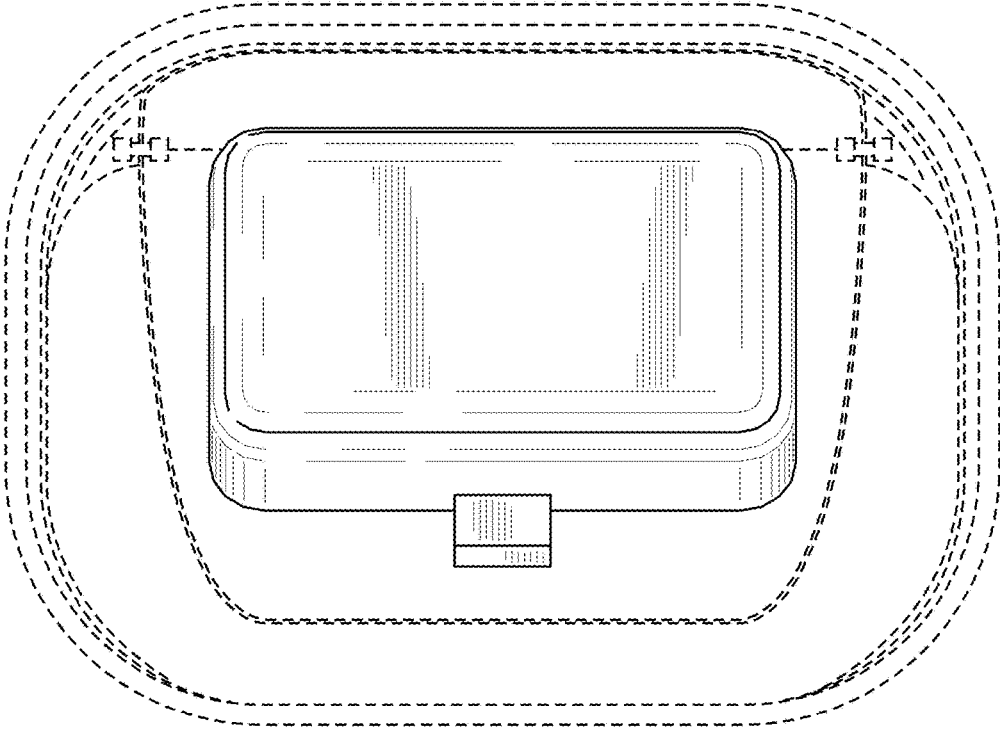


FIG. 6

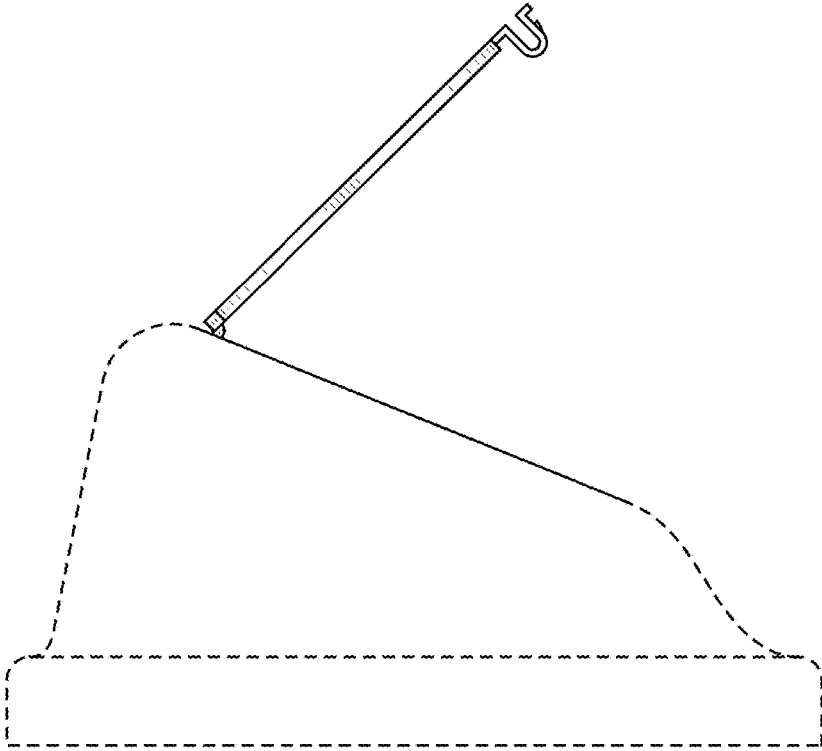


FIG. 7