



US00D829840S

(12) **United States Design Patent**
Shirley-Smith

(10) **Patent No.:** **US D829,840 S**

(45) **Date of Patent:** **** Oct. 2, 2018**

- (54) **TENT**
- (71) Applicant: **TENTSILE LTD**, London (GB)
- (72) Inventor: **Alex Shirley-Smith**, London (GB)
- (73) Assignee: **TENTSILE LTD**, London (GB)
- (**) Term: **15 Years**

D396,086	S	*	7/1998	Cantwell	D21/838
D711,999	S	*	8/2014	Shirley-Smith	D21/837
D721,153	S	*	1/2015	Shirley-Smith	D21/837
D750,721	S	*	3/2016	Shirley-Smith	D21/834
D768,797	S	*	10/2016	Shirley-Smith	D21/834
D774,614	S	*	12/2016	Shirley-Smith	D21/834
D781,389	S	*	3/2017	Shirley-Smith	D21/839

* cited by examiner

Primary Examiner — Robin V Webster

Assistant Examiner — Keith J Wilson

(74) *Attorney, Agent, or Firm* — Michael J. Feigin, Esq.;
Feigin and Fridman

- (21) Appl. No.: **29/627,244**
- (22) Filed: **Nov. 24, 2017**
- (51) **LOC (11) Cl.** **21-04**
- (52) **U.S. Cl.**
USPC **D21/834**
- (58) **Field of Classification Search**
USPC D21/834, 835, 836, 837, 838, 839, 840
CPC E04H 15/00; E04H 15/02; E04H 15/18;
E04H 15/28; E04H 15/32; E04H 15/34;
E04H 15/40; E04H 15/42; E04H 15/425;
E04H 15/50

See application file for complete search history.

(56) **References Cited**

U.S. PATENT DOCUMENTS

4,320,542	A	*	3/1982	Cohen	E04H 15/04 5/121
5,080,119	A	*	1/1992	Scherer	E04H 15/425 135/127

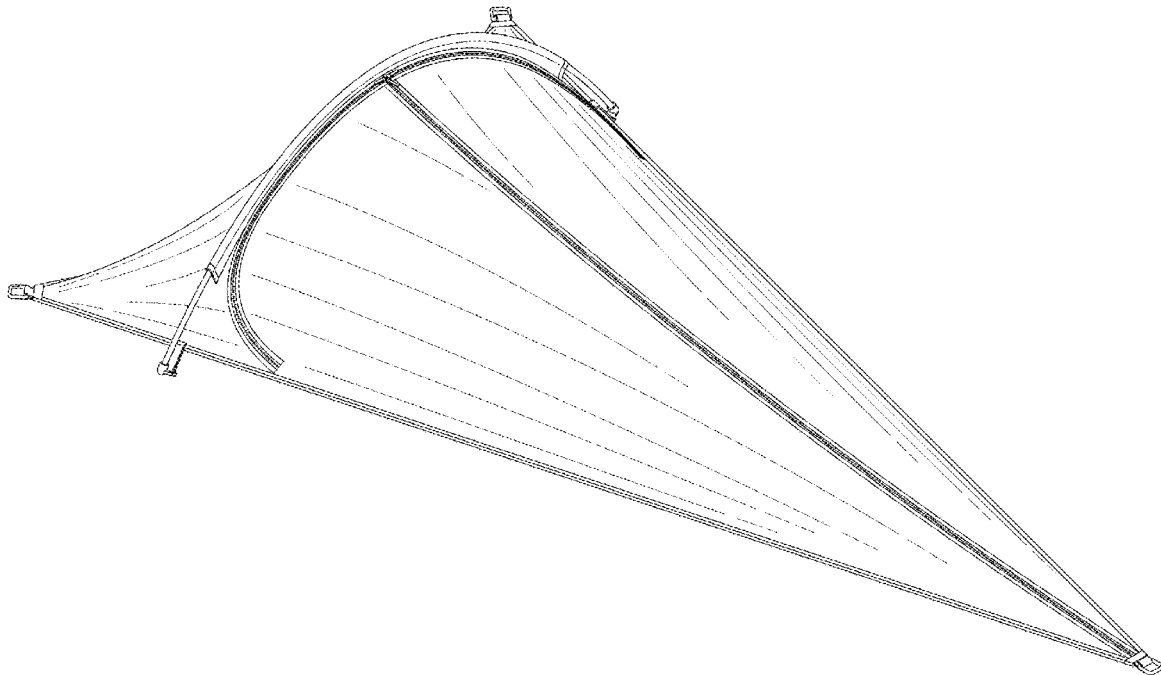
(57) **CLAIM**

The ornamental designs for a tent, as shown and described.

DESCRIPTION

- FIG. 1 shows a top perspective view of a tent.
- FIG. 2 shows a bottom perspective view thereof.
- FIG. 3 shows a bottom plan view thereof.
- FIG. 4 shows a left side elevation view thereof, the reverse side being a mirror image thereof.
- FIG. 5 shows a front elevation view thereof; and,
- FIG. 6 shows a rear elevation view thereof.

1 Claim, 5 Drawing Sheets



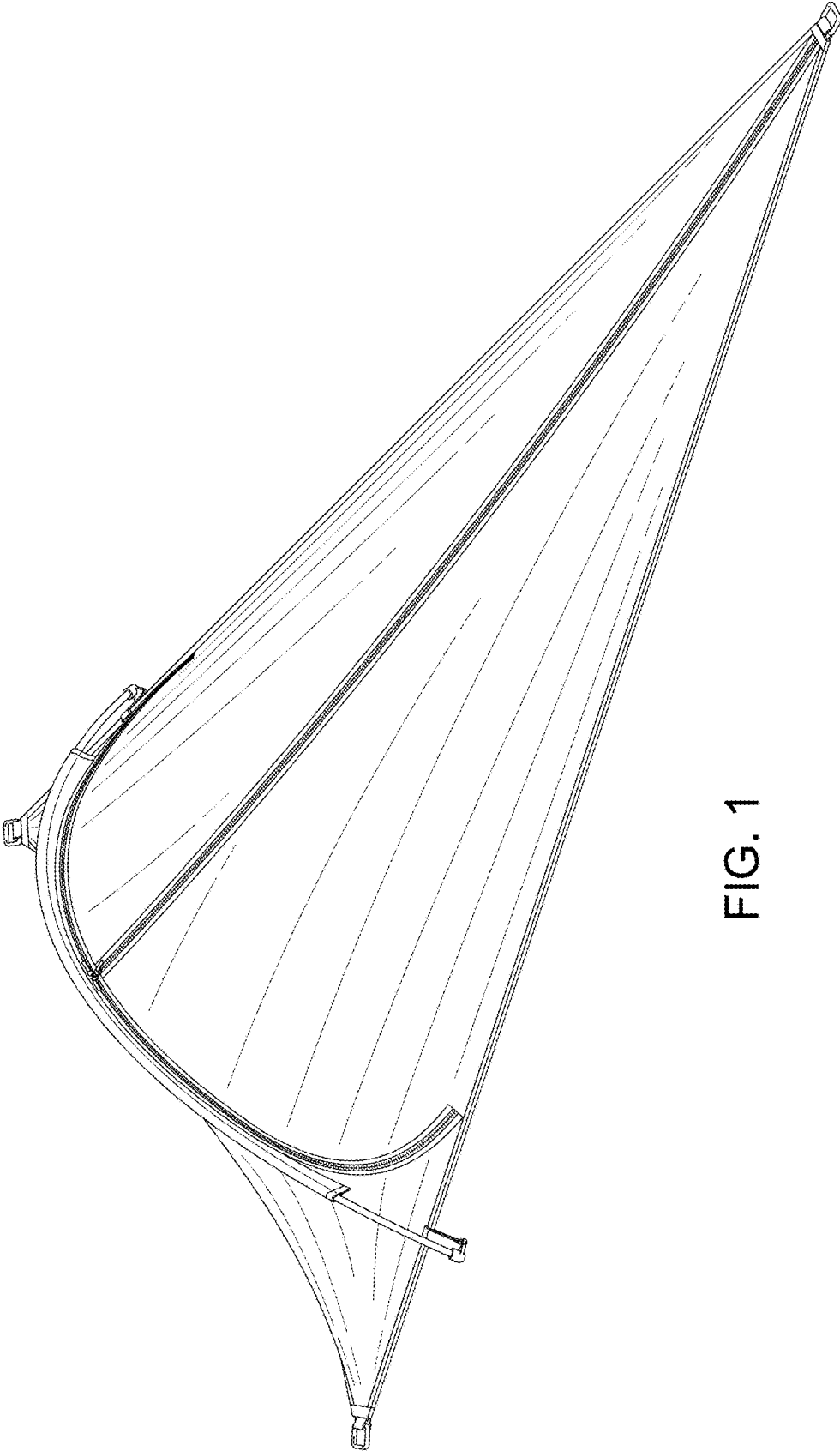


FIG. 1

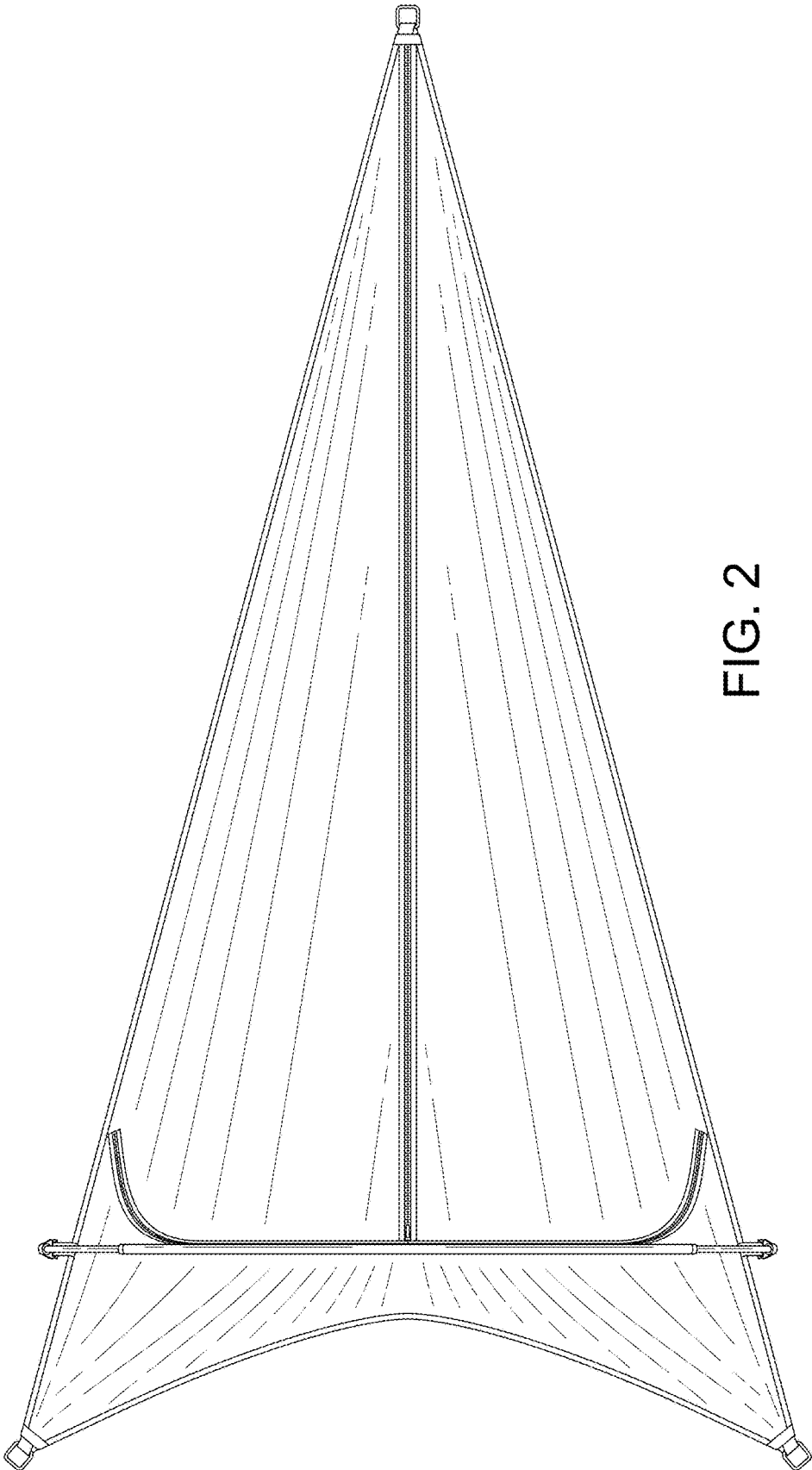


FIG. 2

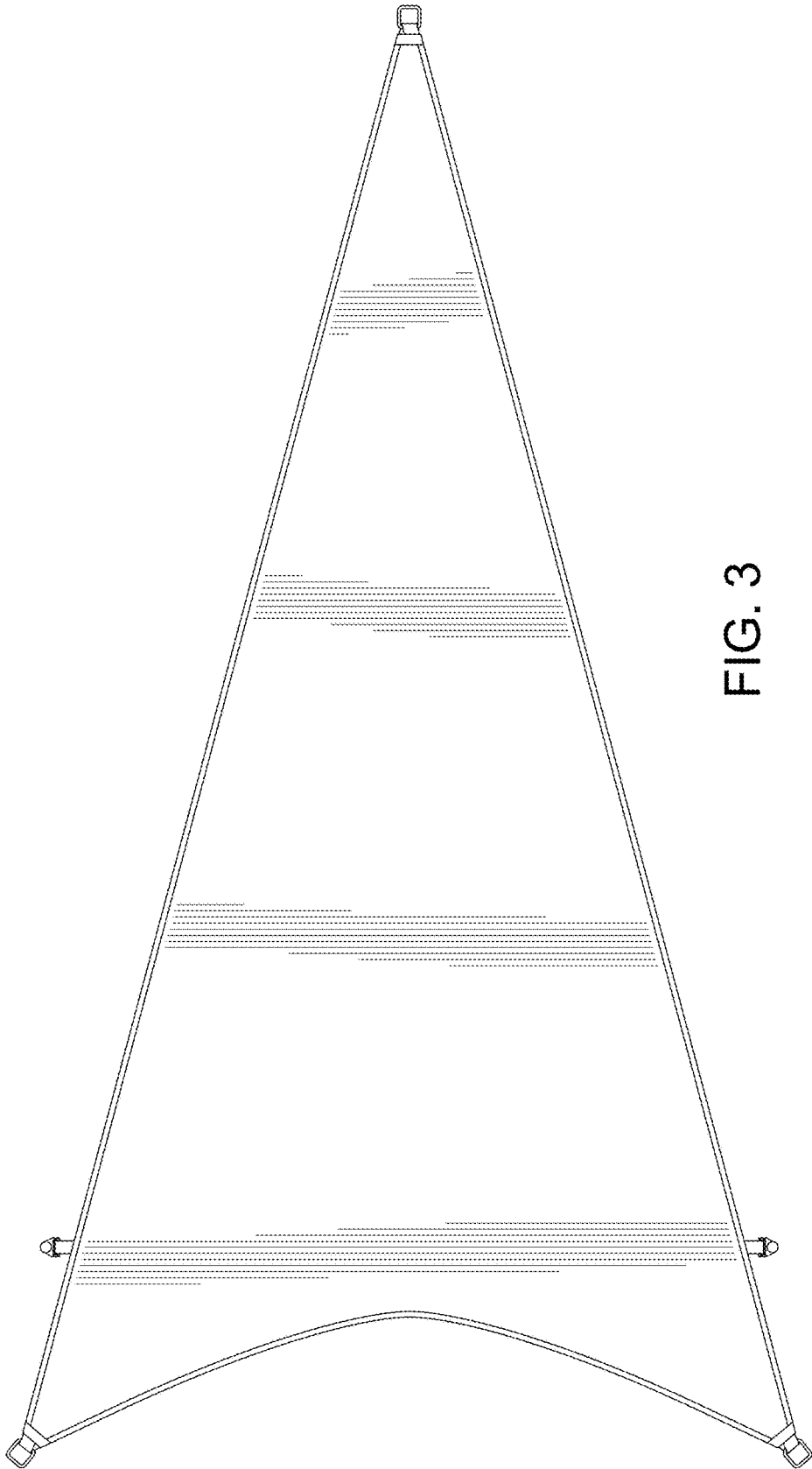


FIG. 3

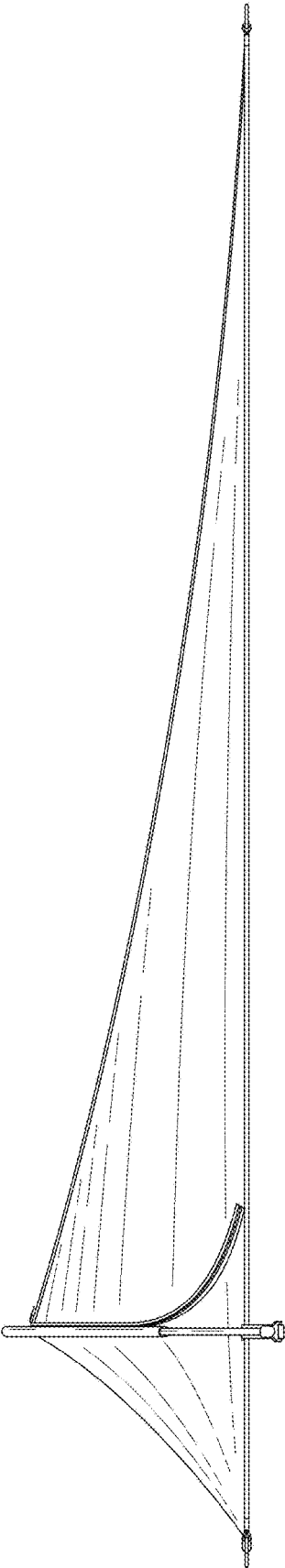


FIG. 4

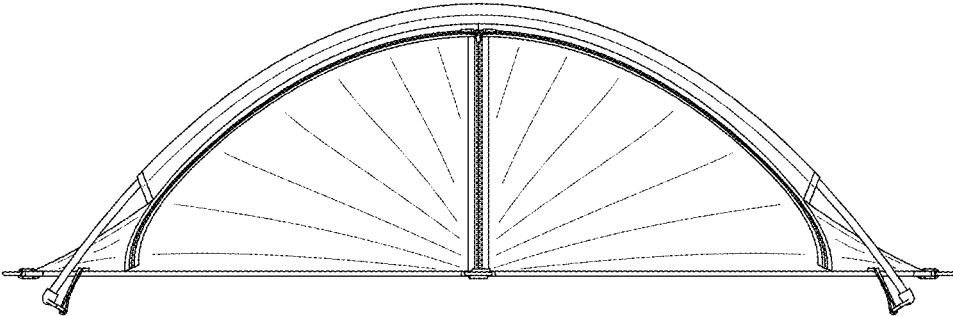


FIG. 5

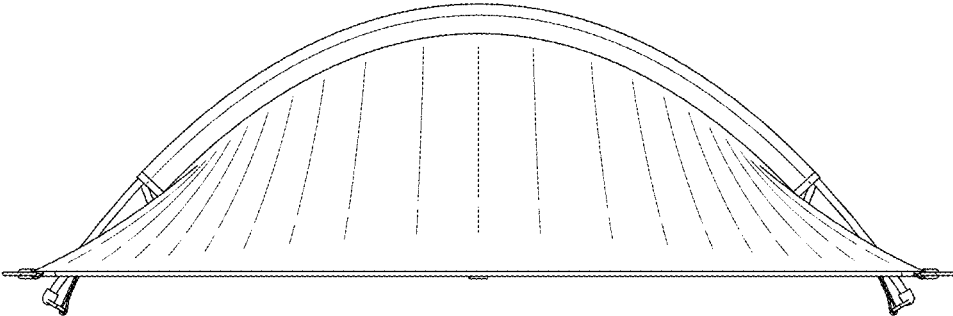


FIG. 6