



(12) **United States Design Patent**
Kerr

(10) **Patent No.:** **US D830,010 S**
(45) **Date of Patent:** **** Oct. 2, 2018**

(54) **LITTER SCOOPER STAND**
(71) Applicant: **Peter Kerr**, Seattle, WA (US)
(72) Inventor: **Peter Kerr**, Seattle, WA (US)
(**) Term: **15 Years**
(21) Appl. No.: **29/647,201**

D439,707 S 3/2001 Hansen et al.
D459,841 S * 7/2002 Ross D30/129
D467,044 S 12/2002 Tangolics
D467,687 S 12/2002 Tangolics
D471,677 S 3/2003 Northrop
D472,021 S 3/2003 Northrop
D541,103 S * 4/2007 Rapaz D7/354
D563,717 S * 3/2008 Rapaz D7/354
D607,616 S 1/2010 Newsome et al.
D629,974 S * 12/2010 Northrop D30/121
D636,945 S 4/2011 Anderson et al.

(Continued)

(22) Filed: **May 10, 2018**
(51) **LOC (11) Cl.** **30-99**
(52) **U.S. Cl.**
USPC **D30/161**
(58) **Field of Classification Search**
USPC D30/161, 162, 121, 122, 129-133;
119/61.5, 51.01, 61.56, 51.03, 59, 62, 63,
119/51.5, 57.8, 74, 61.54, 61.55;
312/204; 248/151, 188; 220/23.87, 630,
220/737, 743, 9.4, 495.01, 574, 212, 255,
220/23.83; 206/515; D7/586, 543,
D7/550.1, 587, 505, 584, 545, 500,
D7/553.1-553.8, 546, 555, 556, 504, 565,
D7/562, 602, 354, 554.3; D9/429;
43/109; D22/122; 99/430, DIG. 15
CPC .. A01K 1/0114; A01K 1/0155; A01K 1/0152;
E01H 1/1206; E01H 2001/1293
See application file for complete search history.

OTHER PUBLICATIONS

Amazon.com, CatGuru New Premium Litter Scoops Holder, Jul. 26, 2018, <https://www.amazon.com/CatGuru-Premium-Scooper-covered-scoopers/dp/B07CQ77BBX/> (Year: 2018).*

Primary Examiner — David G Muller
Assistant Examiner — Nathan M Johnston
(74) *Attorney, Agent, or Firm* — Michael J. Feigin, Esq.;
Feigin and Fridman

(57) **CLAIM**
The ornamental design for a litter scooper stand, as shown and described.

DESCRIPTION

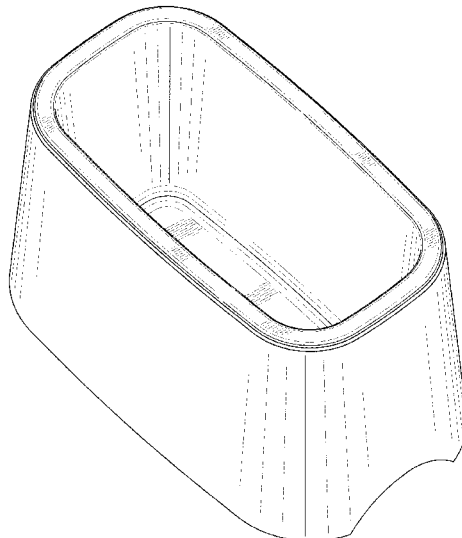
FIG. 1 shows a top and side perspective view of a litter scooper stand showing my new design.
FIG. 2 is a bottom and side perspective view thereof.
FIG. 3 is a top plan view thereof.
FIG. 4 is a bottom plan view thereof.
FIG. 5 is a first side elevation view thereof, the opposite side elevation view being a mirror image thereof.
FIG. 6 shows a second side elevation view thereof, the opposite side elevation view being a mirror image thereof; and,
FIG. 7 shows a cross section of section line 7-7 of FIG. 3.

1 Claim, 7 Drawing Sheets

(56) **References Cited**

U.S. PATENT DOCUMENTS

D103,562 S * 3/1937 Cook D30/129
D103,600 S * 3/1937 Shields, Jr. D30/129
D232,564 S * 8/1974 Kissen D30/129
4,257,353 A 3/1981 Imhoff
D299,768 S * 2/1989 Windom D27/134
D340,761 S * 10/1993 Long D23/206
D352,516 S * 11/1994 Newman D24/218
D371,220 S * 6/1996 Behrens D19/77
D374,517 S 10/1996 Morrill
D413,416 S * 8/1999 Frank D30/129



(56)

References Cited

U.S. PATENT DOCUMENTS

D646,852 S	10/2011	Chance et al.	
D648,492 S	11/2011	Able	
D655,054 S	2/2012	Lipscomb et al.	
D682,485 S	5/2013	Wyggle	
D705,500 S	5/2014	Gambino	
D757,373 S	5/2016	Breit	
D758,674 S	6/2016	Youn	
D771,878 S *	11/2016	Zhang	D30/129
D782,127 S	3/2017	Wechsler	
D782,749 S	3/2017	Michizoe	
D802,853 S	11/2017	MacNeil et al.	
D805,700 S	12/2017	Owens, III	
D816,279 S	4/2018	Peninger	

* cited by examiner

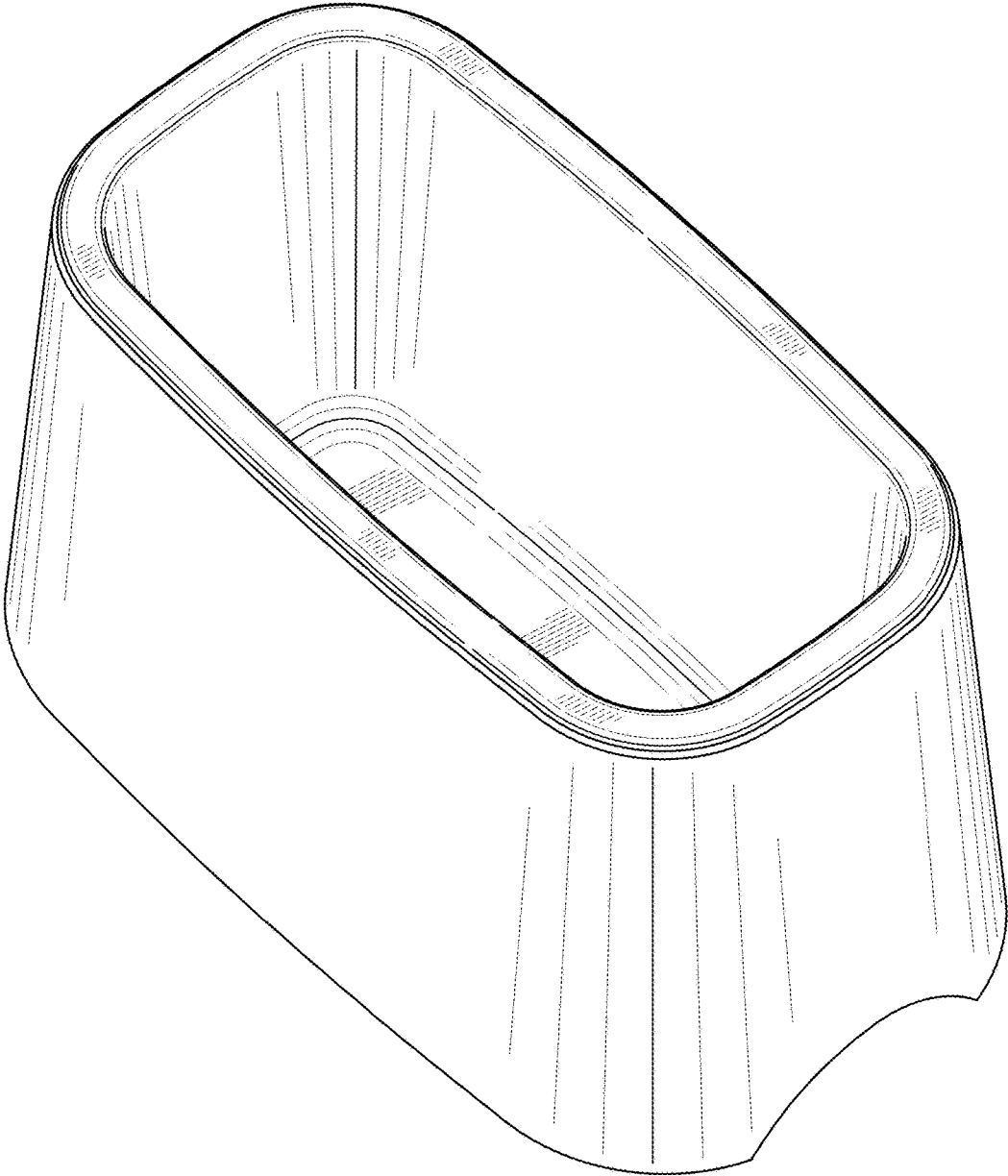


FIG. 1

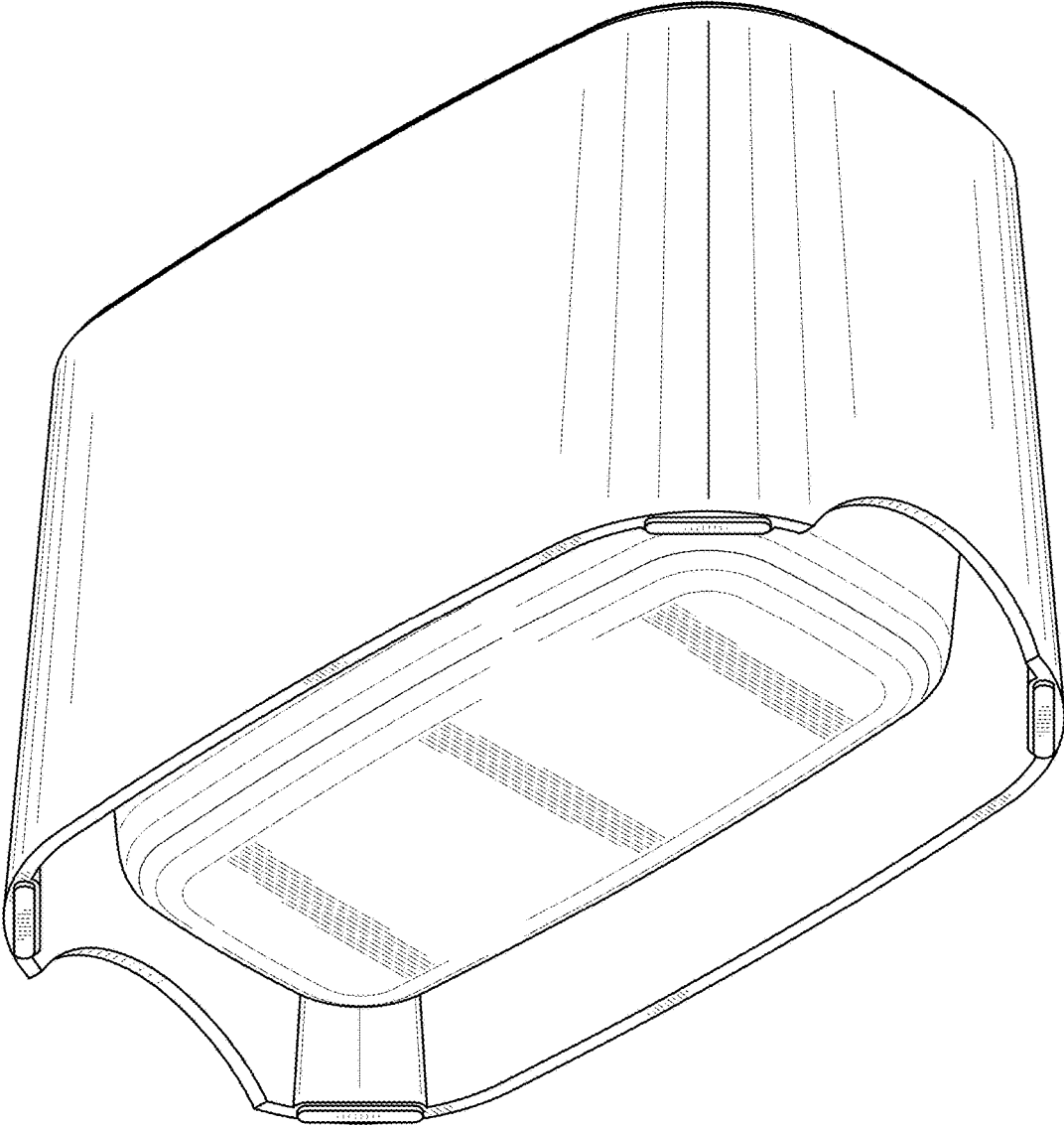
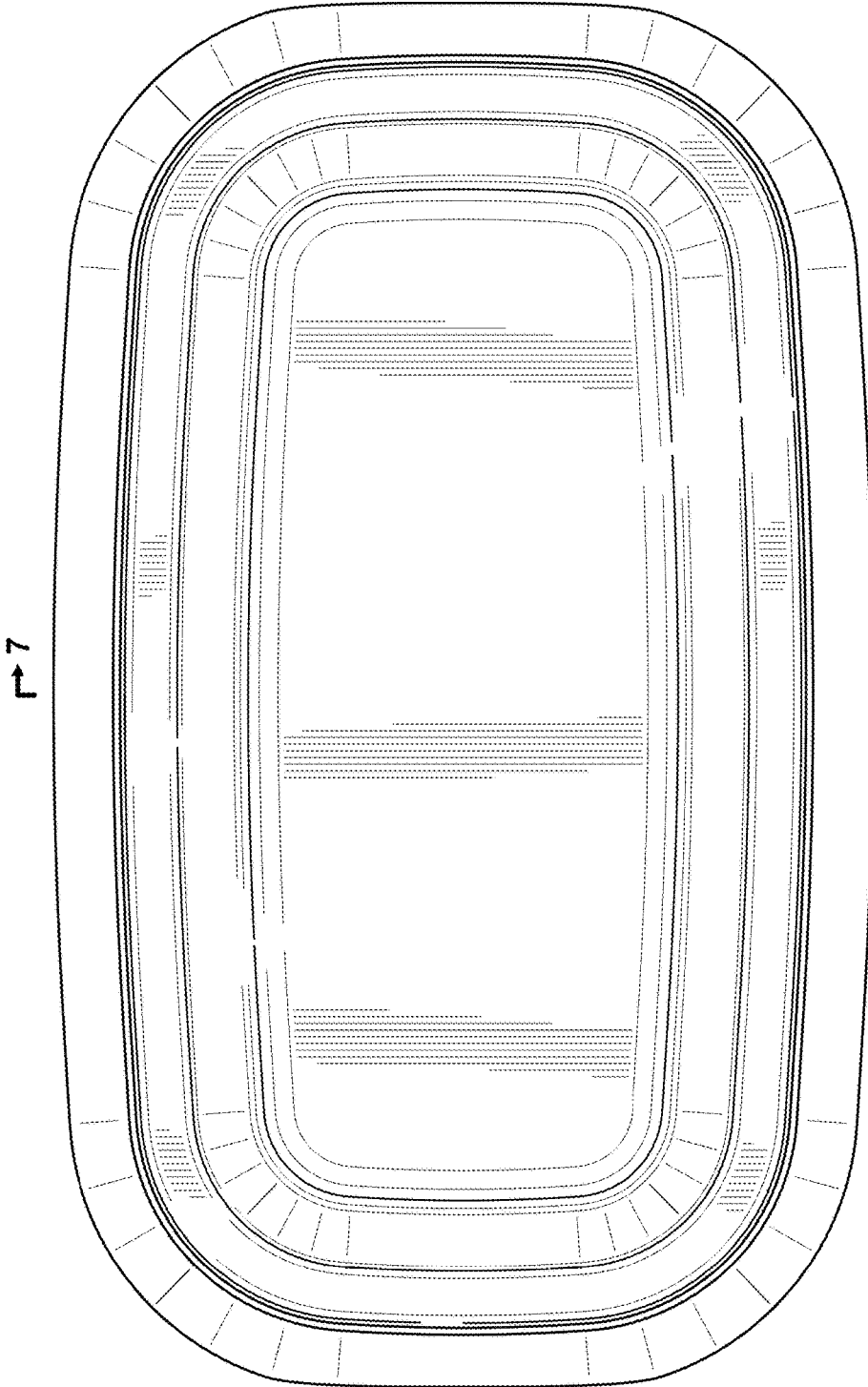


FIG. 2



7

7

FIG. 3

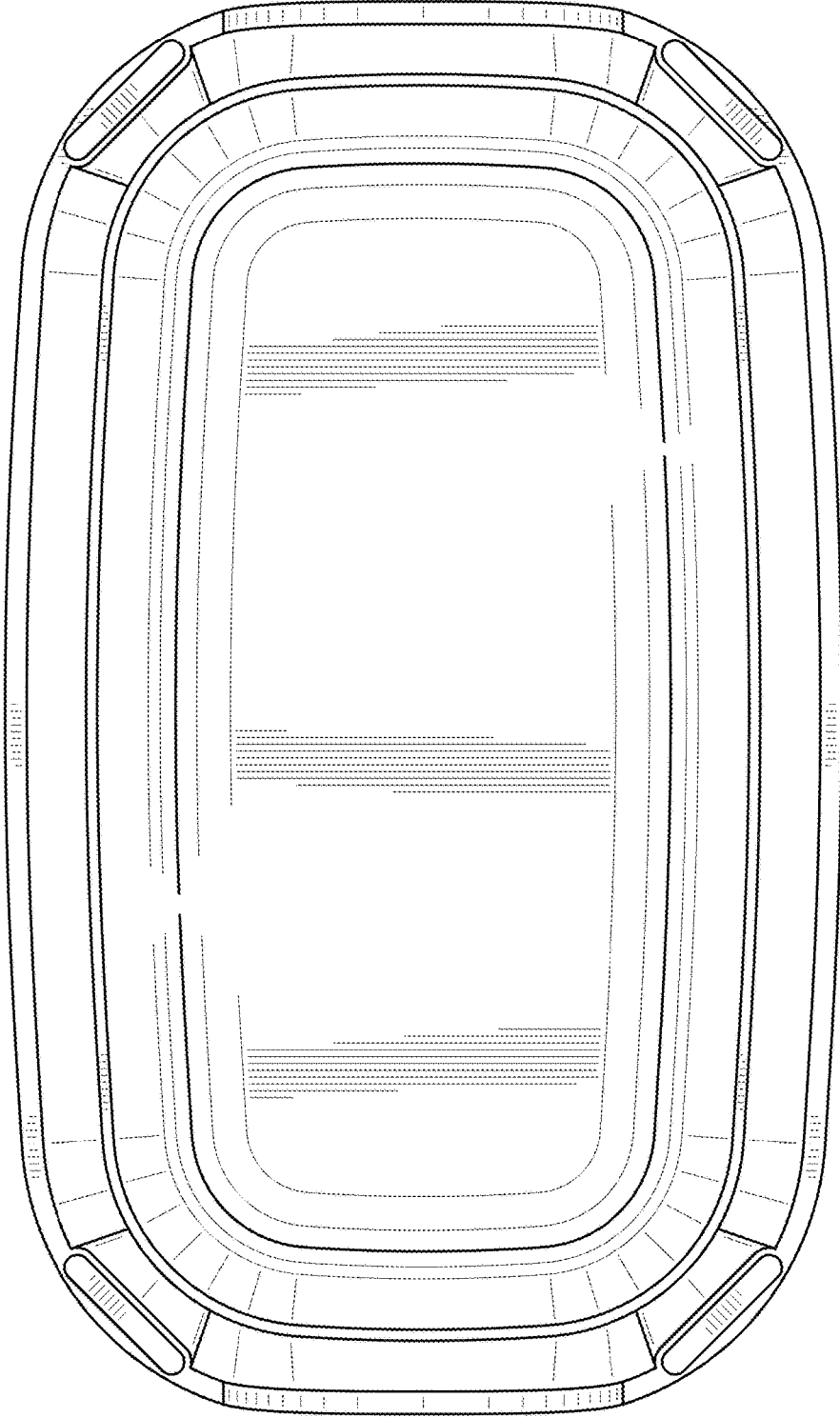


FIG. 4

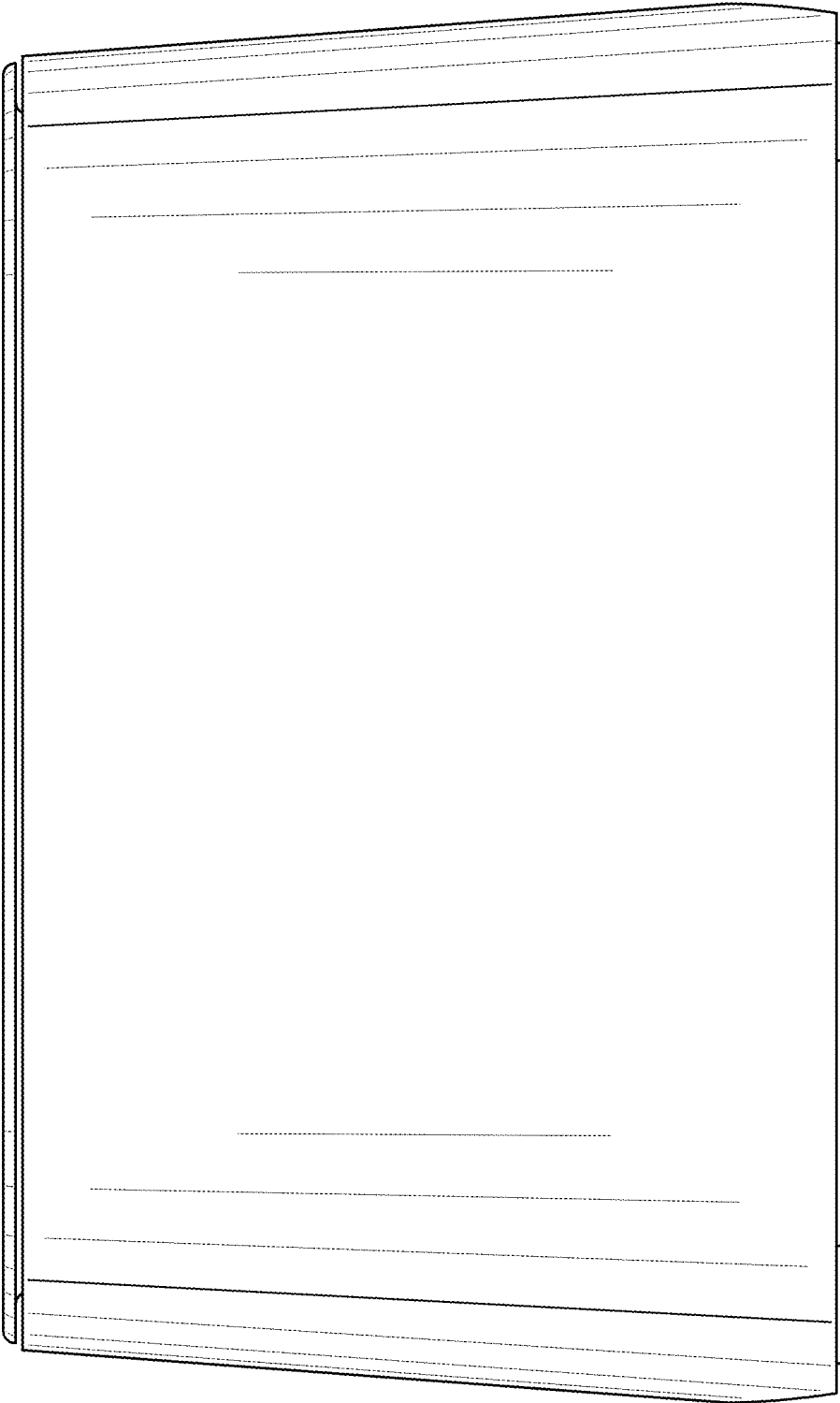


FIG. 5

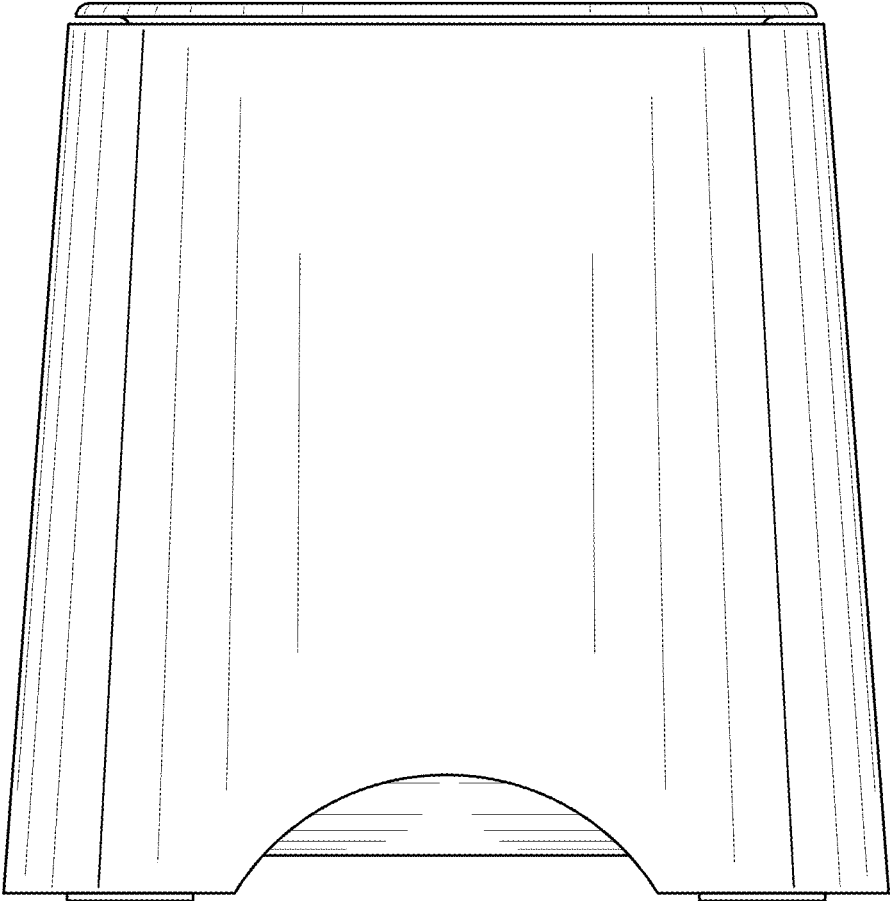


FIG. 6

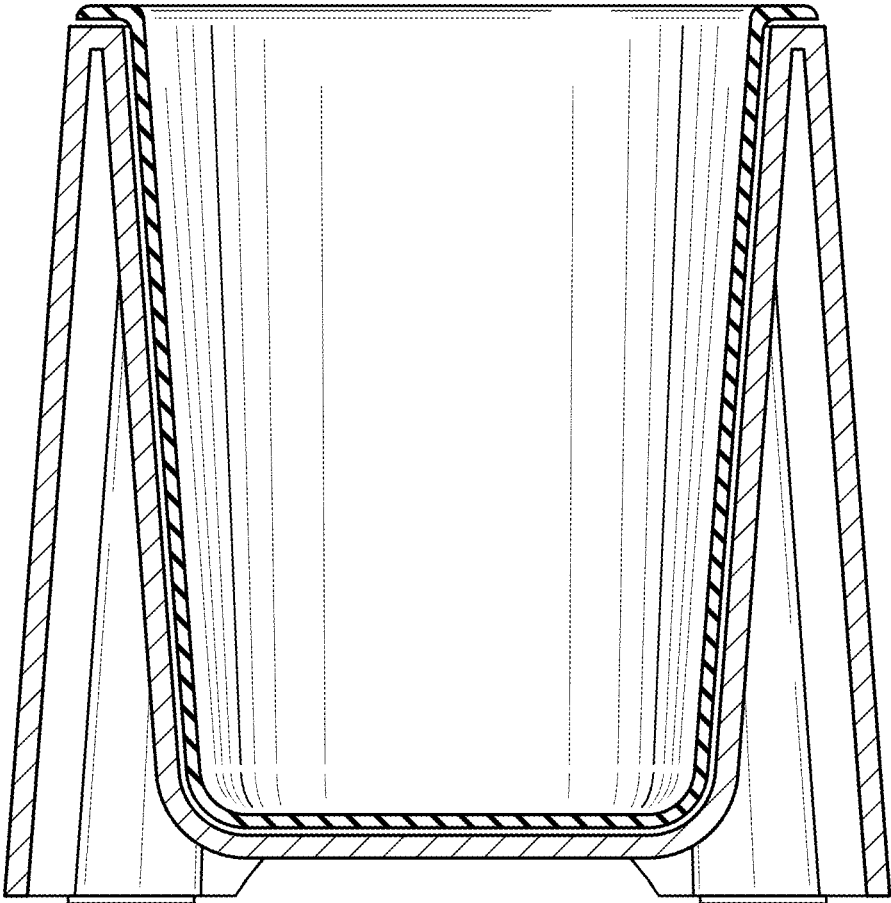


FIG. 7