



US00D831342S

(12) **United States Design Patent**
Farkas

(10) **Patent No.:** **US D831,342 S**
(45) **Date of Patent:** **** Oct. 23, 2018**

(54) **BELT WITH RECEPTACLE AND
REMOVABLE DECORATIVE FRONT
PORTION**

D505,787 S * 6/2005 Vaughn D3/224
D661,484 S * 6/2012 Hamra D3/224
8,985,421 B2 * 3/2015 Barbier A45C 11/00
224/222
D808,644 S * 1/2018 Overton D3/226
D818,667 S * 5/2018 Pelengaris D2/627

(71) Applicant: **Hadassah Farkas**, Brooklyn, NY (US)

(72) Inventor: **Hadassah Farkas**, Brooklyn, NY (US)

(**) Term: **15 Years**

(21) Appl. No.: **29/616,225**

(22) Filed: **Sep. 5, 2017**

(51) **LOC (11) Cl.** **03-01**

(52) **U.S. Cl.** **D3/226**

(58) **Field of Classification Search**
USPC D3/215, 221, 224, 226, 228, 218;
D2/624-628; 224/219, 222, 267, 269,
224/236, 240-241, 245, 250-251, 257,
224/602-603, 624, 661, 913-914, 931;
D11/200

CPC A45C 1/04; A45C 11/00; A45C 13/002;
A45C 13/10; A41F 1/00; A41F 9/00;
A41F 9/002; A41F 9/02; A41F 9/025;
A45F 3/00; A45F 3/005; A45F 3/006;
A45F 3/14

See application file for complete search history.

(56) **References Cited**

U.S. PATENT DOCUMENTS

4,569,465 A * 2/1986 O'Farrell A45C 1/04
224/251
5,425,719 A * 6/1995 Lessing, Jr. A61M 25/02
224/660

* cited by examiner

Primary Examiner — Catherine R Oliver-Garcia
(74) *Attorney, Agent, or Firm* — Michael J. Feigin, Esq.;
Feigin and Fridman LLC

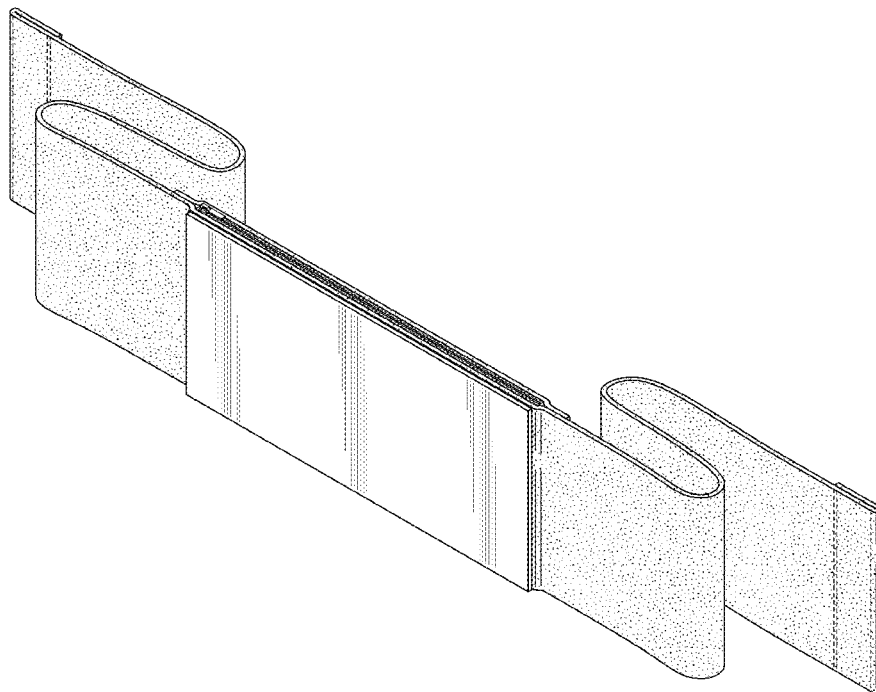
(57) **CLAIM**

The ornamental design for a belt with receptacle and remov-
able decorative front portion, as shown and described.

DESCRIPTION

FIG. 1 is a front and top perspective view of the belt with
receptacle and removable decorative front portion;
FIG. 2 is a rear and bottom perspective view thereof;
FIG. 3 is a front elevation view thereof;
FIG. 4 is a rear elevation view thereof;
FIG. 5 is a top plan view thereof;
FIG. 6 is a bottom plan view thereof;
FIG. 7 is a side elevation view thereof; and,
FIG. 8 is an opposite side elevation view.

1 Claim, 5 Drawing Sheets



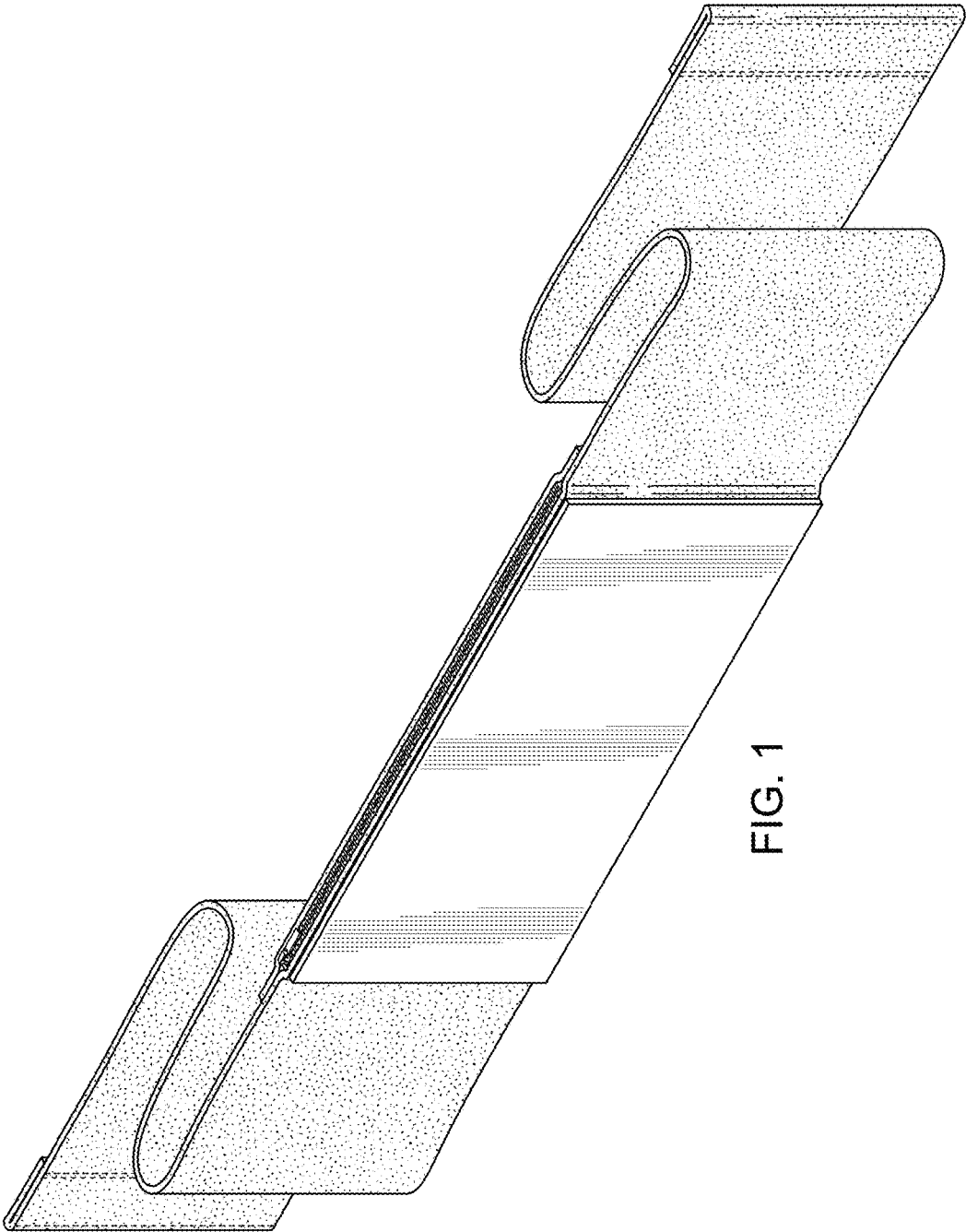


FIG. 1

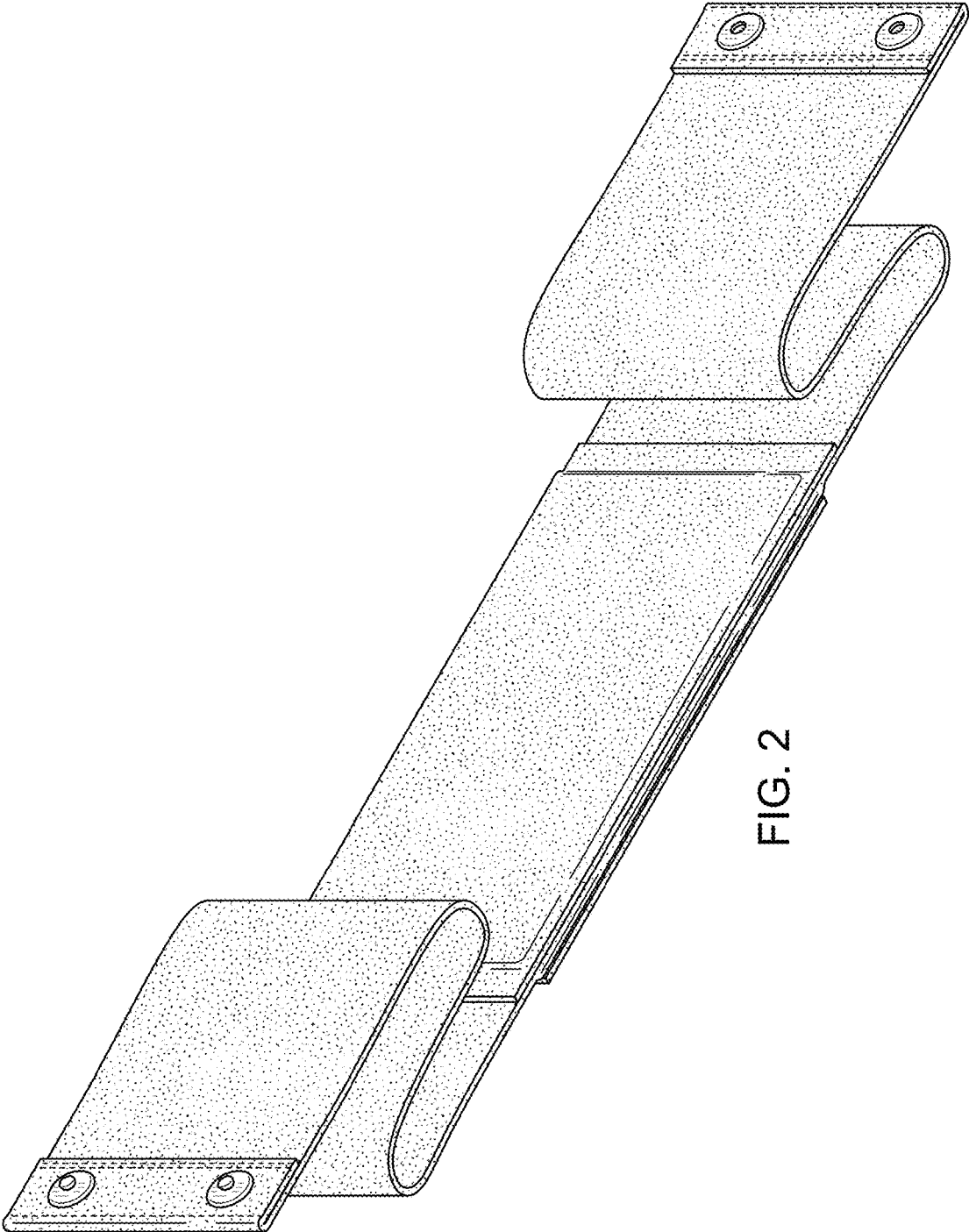


FIG. 2

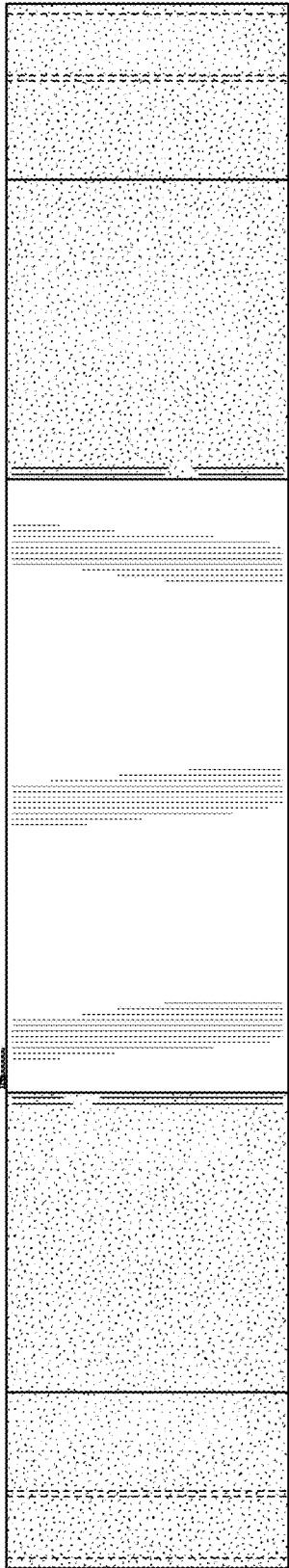


FIG. 3

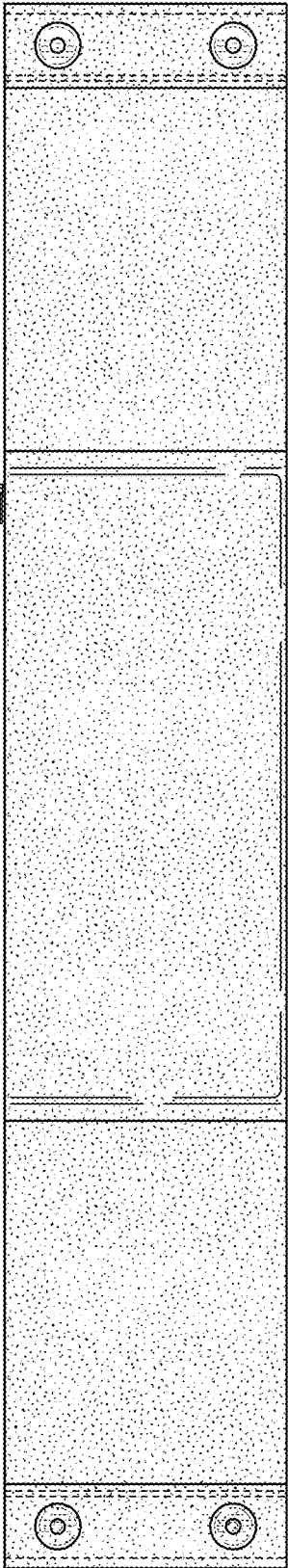


FIG. 4

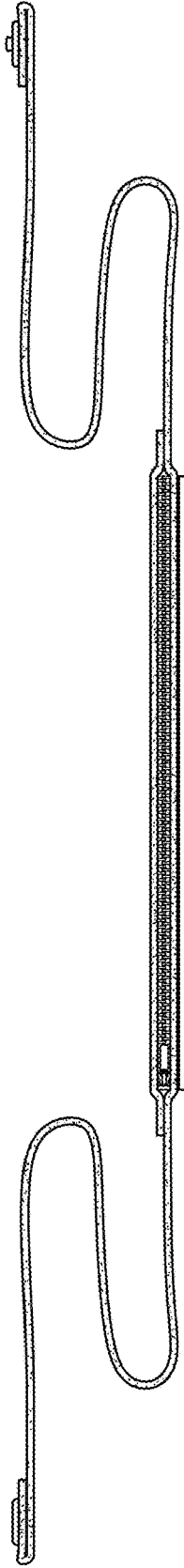


FIG. 5



FIG. 6

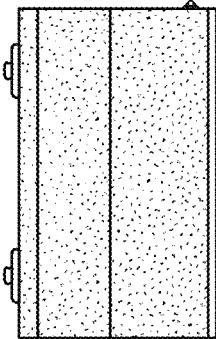


FIG. 7

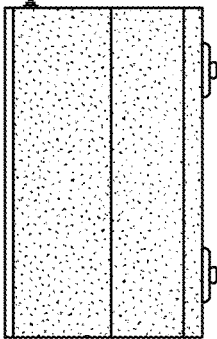


FIG. 8