



US00D840653S

(12) **United States Design Patent**
Carmi et al.

(10) **Patent No.:** **US D840,653 S**

(45) **Date of Patent:** **** Feb. 19, 2019**

(54) **SHOE INSERT**

(71) Applicants: **Itamar Carmi**, Teaneck, NJ (US);
Rachel Carmi, Teaneck, NJ (US)

(72) Inventors: **Itamar Carmi**, Teaneck, NJ (US);
Rachel Carmi, Teaneck, NJ (US)

(**) Term: **15 Years**

(21) Appl. No.: **29/592,875**

(22) Filed: **Feb. 3, 2017**

(51) **LOC (11) Cl.** **02-04**

(52) **U.S. Cl.**

USPC **D2/961**

(58) **Field of Classification Search**

USPC D2/896, 961, 968, 946, 947, 950, 951,
D2/953, 954, 955, 960; D24/124, 126;
36/43, 44

CPC A43B 19/00; A43B 19/005; A43B 17/14;
A43B 17/02; A43B 17/03; A43B 17/00;
A43B 17/18; A43B 17/006; A43B 13/14;
A43B 13/00; A43B 13/42; A43B 7/149;
A43B 7/14; A43B 9/125

See application file for complete search history.

(56) **References Cited**

U.S. PATENT DOCUMENTS

892,360 A * 6/1908 Burns A43B 3/0005
36/43
1,086,925 A * 2/1914 Luffler A43B 7/06
36/3 R
D120,317 S * 4/1940 Reeves D2/957
D127,273 S * 5/1941 Hubbard 36/32 R

D204,596 S * 5/1966 Anson 36/43
D273,246 S * 4/1984 Tonkel D2/956
D285,022 S * 8/1986 Schornstein D2/916
D287,902 S * 1/1987 Forsyth D2/961
D288,383 S * 2/1987 Autry D2/961
D300,686 S * 4/1989 Peterson D2/961
D350,432 S * 9/1994 Saez D2/961
D374,761 S * 10/1996 Sell, Jr. D2/961
D388,947 S * 1/1998 Sessa D2/961
D416,671 S * 11/1999 Tsuzuki D2/947
D505,537 S * 5/2005 Friedman D2/961
D551,835 S * 10/2007 Hung D2/961
D640,047 S * 6/2011 Claassen D2/960
D701,380 S * 3/2014 Reed D2/951

* cited by examiner

Primary Examiner — Elizabeth J Oswecki

(74) *Attorney, Agent, or Firm* — Michael J. Feigin, Esq.;
Feigin & Fridman LLC

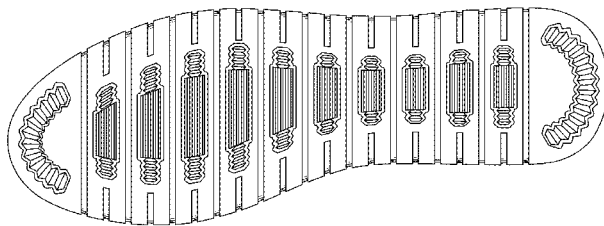
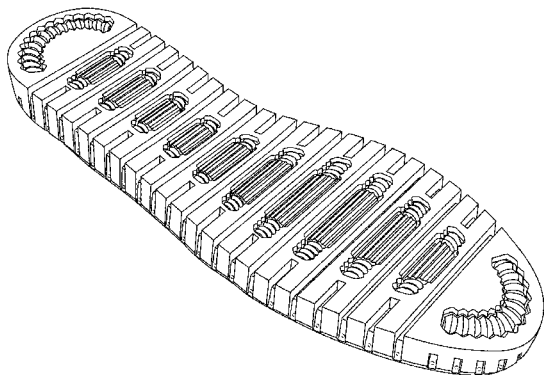
(57) **CLAIM**

The ornamental design for a shoe insert, as shown and described.

DESCRIPTION

FIG. 1 is a bottom, side perspective view of a shoe insert showing my new design;
FIG. 2 is a bottom plan view thereof;
FIG. 3 is a top plan view thereof;
FIG. 4 is a side elevation view thereof;
FIG. 5 is a reverse side elevation view thereof;
FIG. 6 is a front side elevation view thereof; and,
FIG. 7 is a rear side elevation view thereof.
The broken lines shown in the drawings form no part of the claimed design.

1 Claim, 5 Drawing Sheets



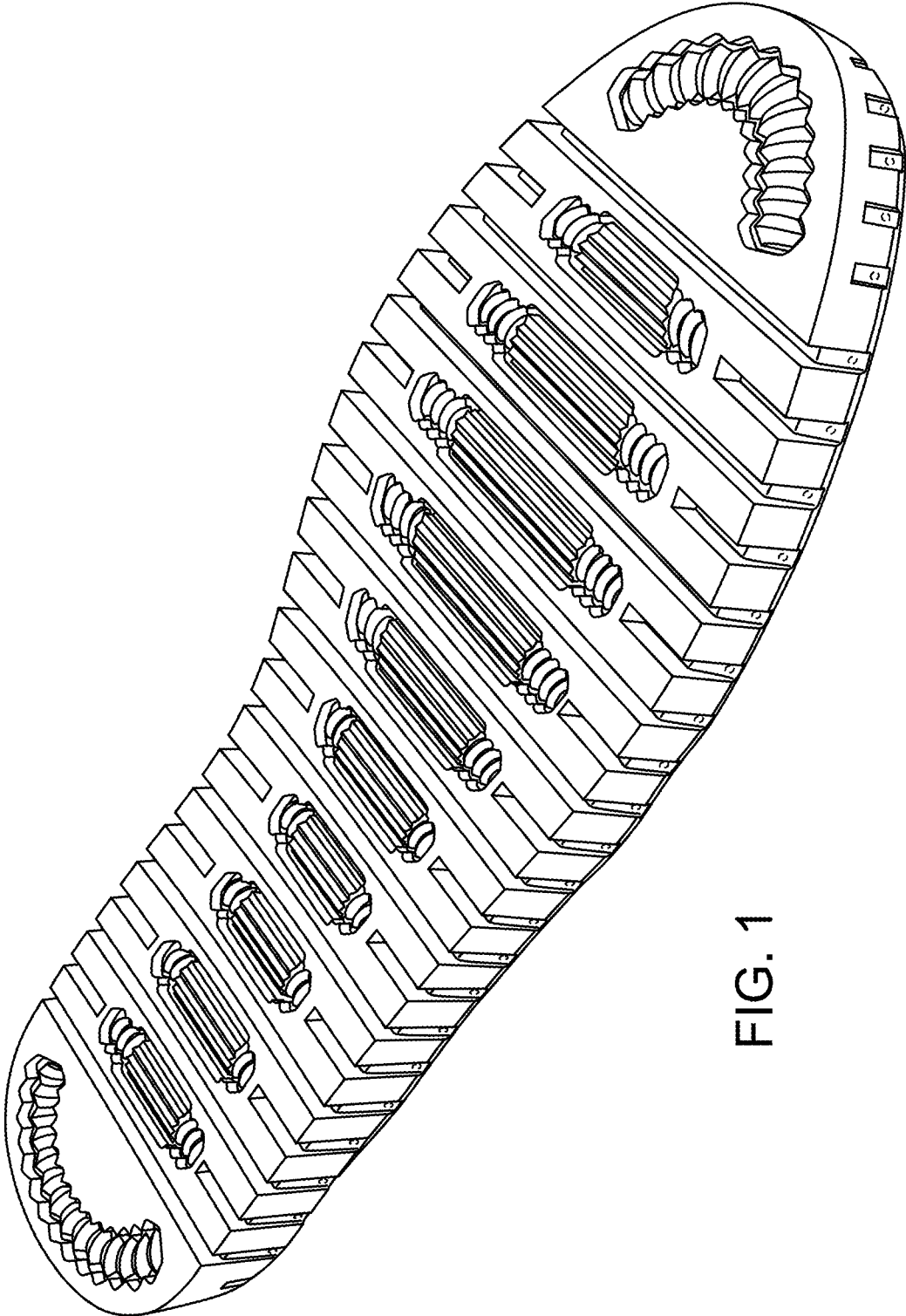


FIG. 1

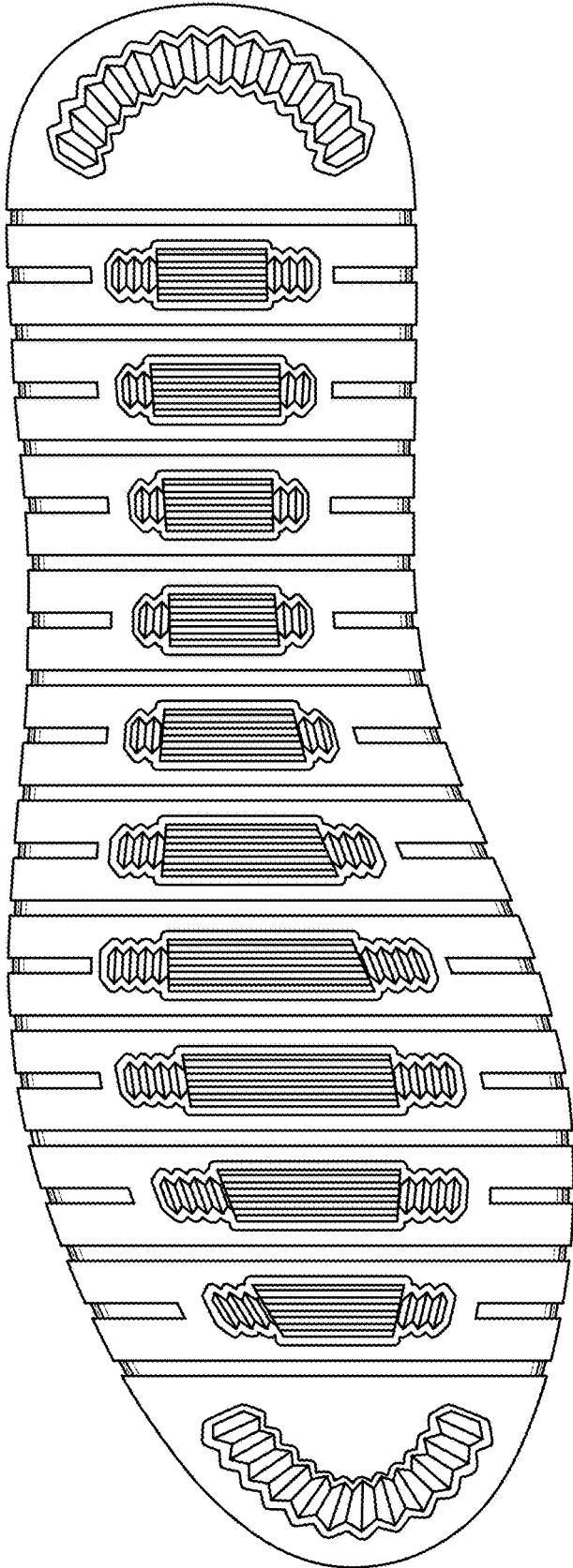


FIG. 2

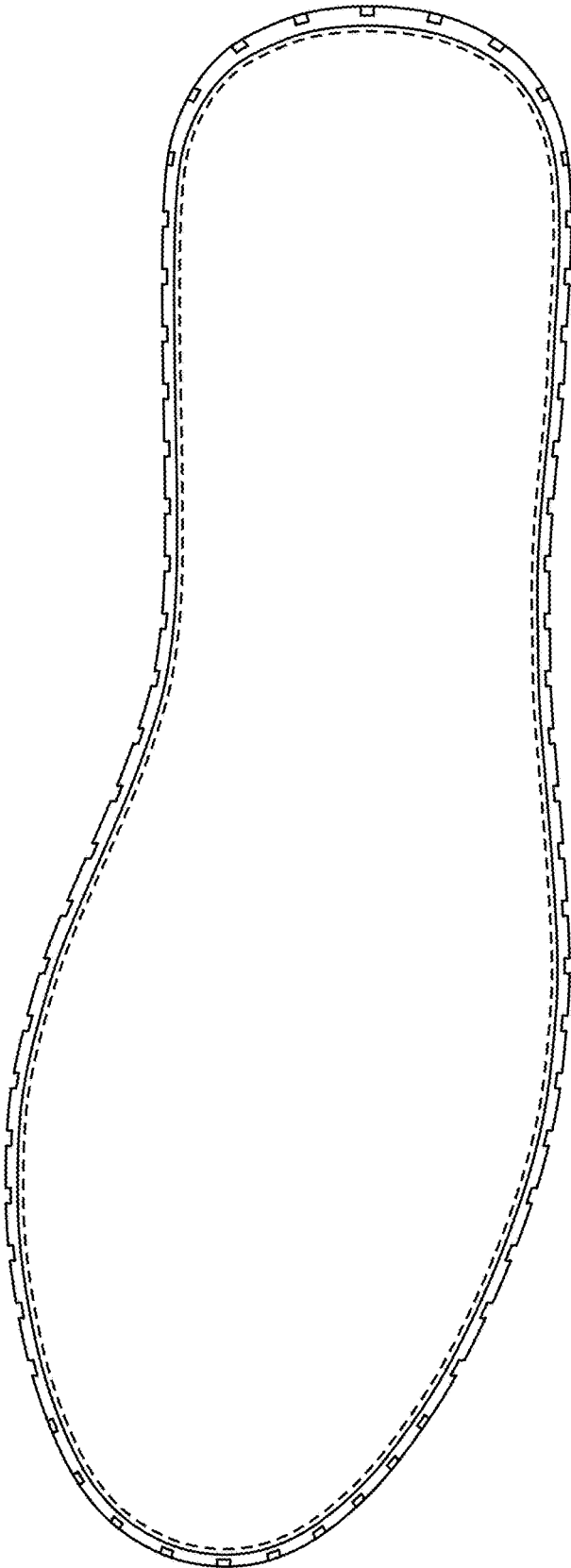


FIG. 3

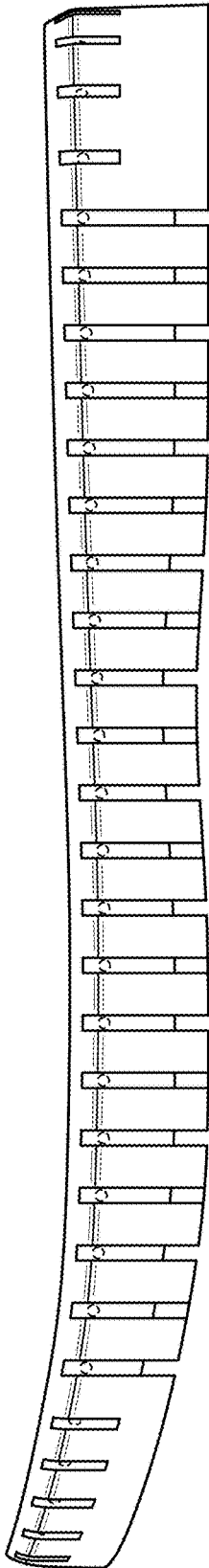


FIG. 4

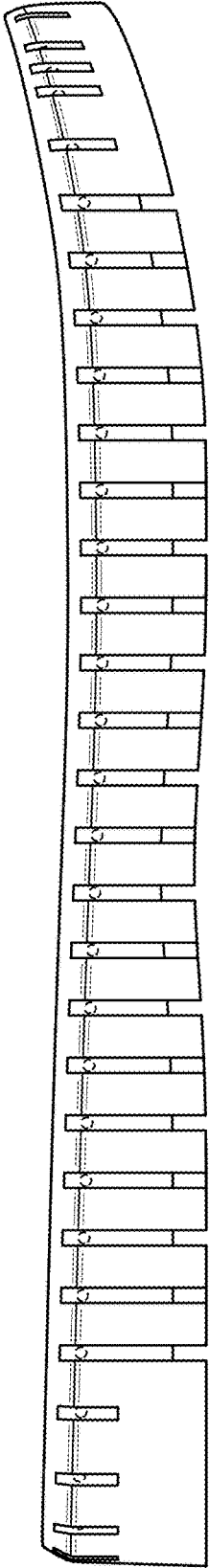


FIG. 5

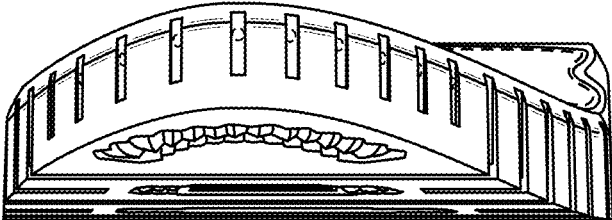


FIG. 6

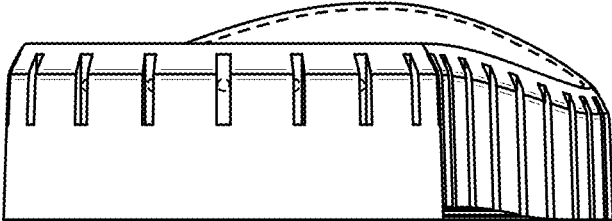


FIG. 7