



US00D863287S

(12) **United States Design Patent**
Srour

(10) **Patent No.:** **US D863,287 S**

(45) **Date of Patent:** **** Oct. 15, 2019**

(54) **PHONE ACCESSORY**

(71) Applicant: **Ikey Srour**, Brooklyn, NY (US)

(72) Inventor: **Ikey Srour**, Brooklyn, NY (US)

(73) Assignee: **QUEST USA CORP.**, Brooklyn, NY (US)

(**) Term: **15 Years**

(21) Appl. No.: **29/654,167**

(22) Filed: **Jun. 21, 2018**

(51) **LOC (12) Cl.** **14-03**

(52) **U.S. Cl.**
USPC **D14/251**; D3/247; D3/218

(58) **Field of Classification Search**
USPC D14/251–253, 358, 432, 434, 440, 447;
D3/218, 247, 249; D16/242, 243;
D12/415; D13/107, 108
CPC A45C 11/00; A45F 5/00; F16M 11/00
See application file for complete search history.

(56) **References Cited**

U.S. PATENT DOCUMENTS

| | | | | |
|-----------|-----|---------|-----------|--------|
| 2,825,378 | A | 3/1958 | Vaca | |
| D314,865 | S | 2/1991 | Tuisku | |
| D330,632 | S | 11/1992 | Hensley | |
| D332,347 | S | 1/1993 | Raadt | |
| D404,762 | S | 1/1999 | Vogel | |
| 5,944,080 | A | 8/1999 | Podwika | |
| D446,647 | S | 8/2001 | Protheroe | |
| D446,648 | S | 8/2001 | Protheroe | |
| D447,868 | S | 9/2001 | Protheroe | |
| D470,657 | S | 2/2003 | Kawamura | |
| D471,008 | S | 3/2003 | Dubone | |
| D481,537 | S | 11/2003 | Vaughn | |
| D509,955 | S | 9/2005 | Williams | |
| D527,898 | S | 9/2006 | Tavone | |
| D547,062 | S * | 7/2007 | Chang | D3/247 |
| D572,465 | S | 7/2008 | Beck | |
| D610,798 | S | 3/2010 | Silvera | |
| D622,958 | S | 9/2010 | Moore | |

D675,197 S 1/2013 Losiewicz
D689,479 S * 9/2013 Soffer D14/253
D690,931 S * 10/2013 Minn D3/247
(Continued)

OTHER PUBLICATIONS

RFID Blocking Credit Card Holder Wallet Money Clip Case. fasttech.com. [online] 4 pgs. Date listed Oct. 2017 [Retrieved on Mar. 6, 2018] <https://www.fasttech.com/products/9343200>.

Primary Examiner — Janice Hallmark
(74) *Attorney, Agent, or Firm* — Michael J. Feigin, Esq.; Feigin and Fridman LLC

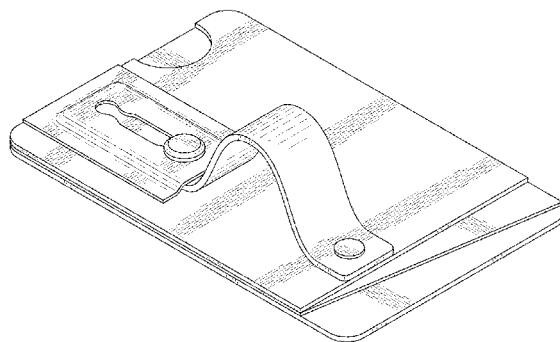
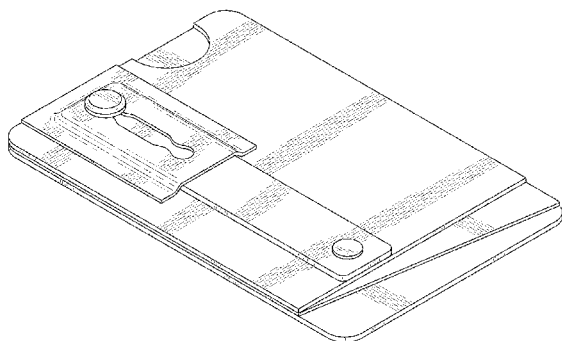
(57) **CLAIM**

The ornamental design for a phone accessory, as shown and described.

DESCRIPTION

FIG. 1 is a top and side perspective view of a phone accessory;
FIG. 2 is a front view thereof;
FIG. 3 is a rear view thereof;
FIG. 4 is a rear view thereof;
FIG. 5 is a rear view thereof;
FIG. 6 is a third side view thereof; and
FIG. 7 is a fourth side view thereof;
FIG. 8 is a top and side perspective view thereof, showing the strap in a retracted position for use;
FIG. 9 is a front view thereof;
FIG. 10 is a rear view thereof.
FIG. 11 is a first side view thereof;
FIG. 12 is a second side view thereof;
FIG. 13 is a third side view thereof; and,
FIG. 14 is a fourth side view thereof.
The broken lines depicts portions of the phone accessory are for illustration purposes only and form no part of the claimed design.

1 Claim, 9 Drawing Sheets



(56)

References Cited

U.S. PATENT DOCUMENTS

| | | | | | | | |
|--------------|---------|------------------|-----------|-------------------|---------|----------------|--------------------------|
| D699,757 S | 2/2014 | Wilkey | | D759,023 S * | 6/2016 | Liu | D14/253 |
| D703,647 S | 4/2014 | Kim | | D759,966 S | 6/2016 | Pignotti | |
| D703,949 S | 5/2014 | Chappell | | D768,382 S | 10/2016 | Wu | |
| D705,764 S * | 5/2014 | Thoni | D14/250 | D768,383 S | 10/2016 | Wu | |
| D705,767 S | 5/2014 | Yoon | | D772,212 S | 11/2016 | Daniel | |
| D707,965 S * | 7/2014 | Requa | D3/247 | D772,882 S | 11/2016 | Paschke | |
| D716,043 S | 10/2014 | Wilk | | D775,824 S | 1/2017 | King | |
| D717,780 S | 11/2014 | Tussy | | D776,426 S | 1/2017 | Smith | |
| D719,143 S * | 12/2014 | Vidovic | D14/250 | D777,162 S | 1/2017 | Erickson-Davis | |
| D719,350 S | 12/2014 | Daoura | | D780,449 S * | 3/2017 | King | D3/247 |
| D721,373 S * | 1/2015 | Logereau | D14/432 | D789,076 S * | 6/2017 | Pierre | D3/218 |
| D722,235 S | 2/2015 | Meng | | D794,007 S * | 8/2017 | Zhang | D14/250 |
| D723,799 S | 3/2015 | Glass et al. | | D798,591 S * | 10/2017 | King | D3/247 |
| D724,841 S | 3/2015 | Schneider et al. | | D806,386 S | 1/2018 | King | |
| D728,230 S | 5/2015 | Oas | | D808,158 S | 1/2018 | King | |
| D729,223 S * | 5/2015 | Haarburger | D14/253 | D815,086 S * | 4/2018 | Jeon | D14/251 |
| D730,047 S | 5/2015 | Yi | | D817,316 S * | 5/2018 | Srouf | D14/251 |
| D738,619 S | 9/2015 | Gluck | | D835,091 S * | 12/2018 | Torrance | D14/253 |
| D738,872 S | 9/2015 | Erickson-Davis | | 2011/0192857 A1 | 8/2011 | Rothbaum | |
| D743,409 S | 11/2015 | Chen | | 2012/0168483 A1 | 7/2012 | Jambunathan | |
| D745,014 S | 12/2015 | Vales | | 2013/0001382 A1 | 1/2013 | Jang | |
| D745,274 S | 12/2015 | Minn | | 2013/0148271 A1 | 6/2013 | Huang | |
| D747,093 S | 1/2016 | Rogers | | 2013/0277991 A1 | 10/2013 | Wu | |
| D749,069 S | 2/2016 | Senoff | | 2015/0201743 A1 | 7/2015 | Erickson-Davis | |
| D751,289 S | 3/2016 | Gluck | | 2015/0288409 A1 * | 10/2015 | Forsythe | H04B 1/3888 455/575.6 |
| D755,153 S * | 5/2016 | Steiner | D14/138 R | 2015/0335138 A1 | 11/2015 | Juarbe | |
| D756,366 S | 5/2016 | Floersch | | 2015/0365125 A1 | 12/2015 | Murphy | |
| | | | | 2016/0058162 A1 | 3/2016 | Wang | |
| | | | | 2017/0293207 A1 | 10/2017 | Jeon | |

* cited by examiner

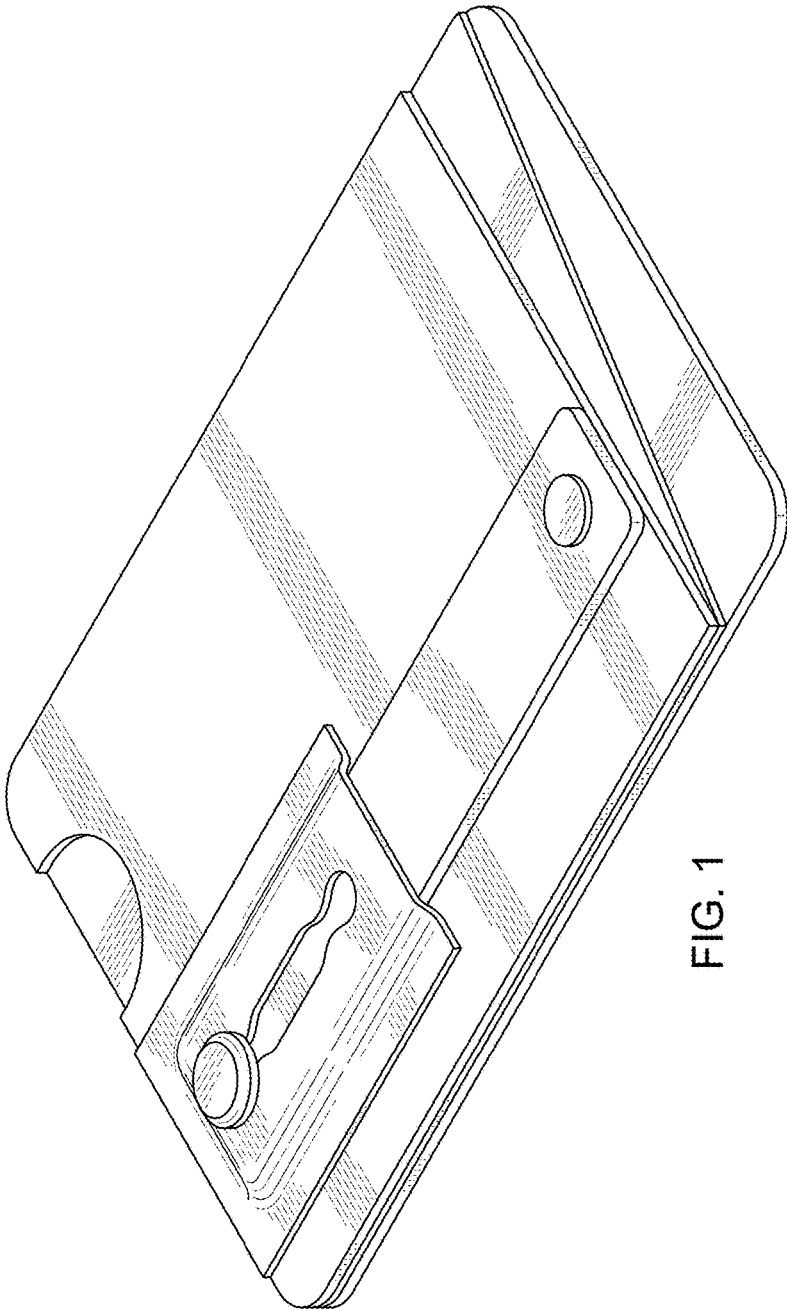


FIG. 1

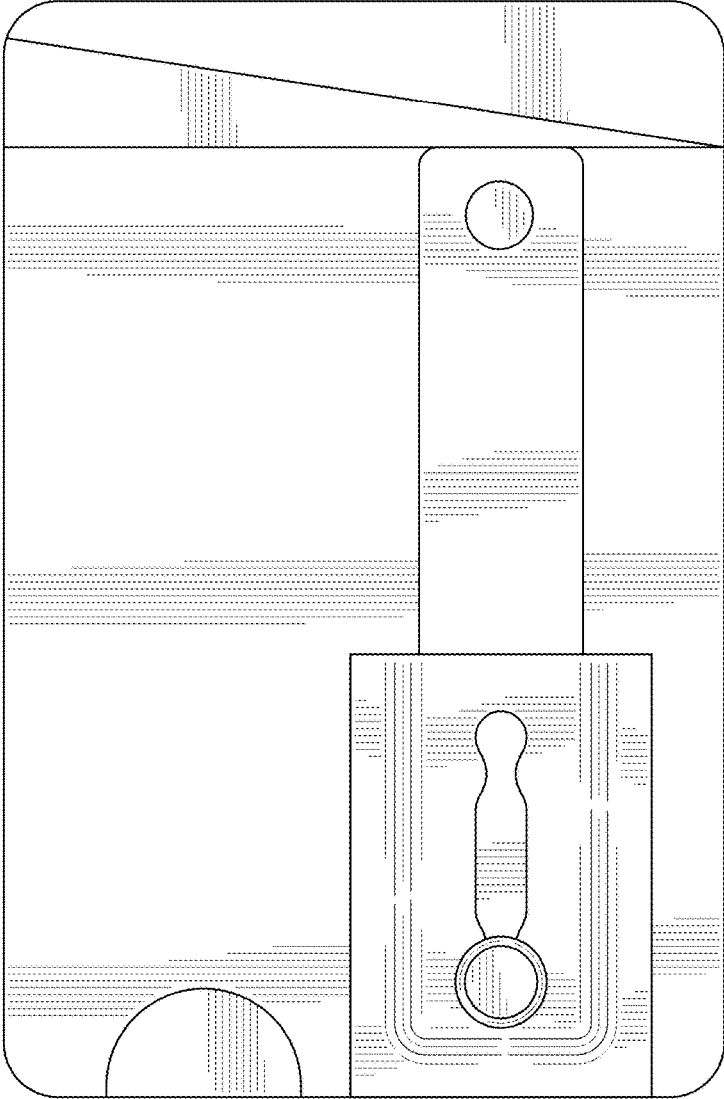


FIG. 2

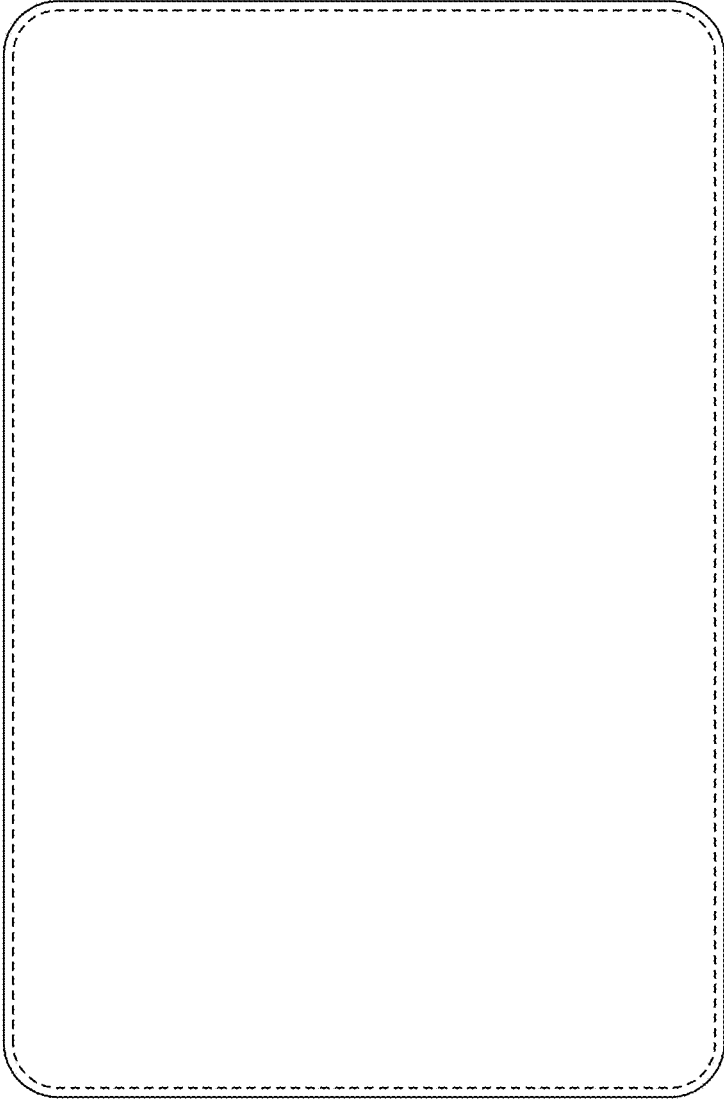


FIG. 3

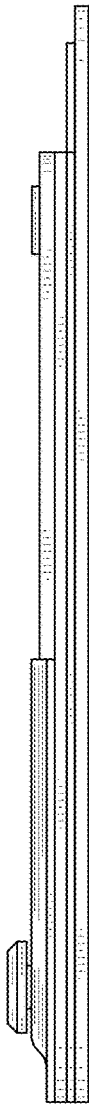


FIG. 4



FIG. 5

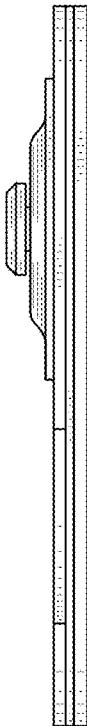


FIG. 6



FIG. 7

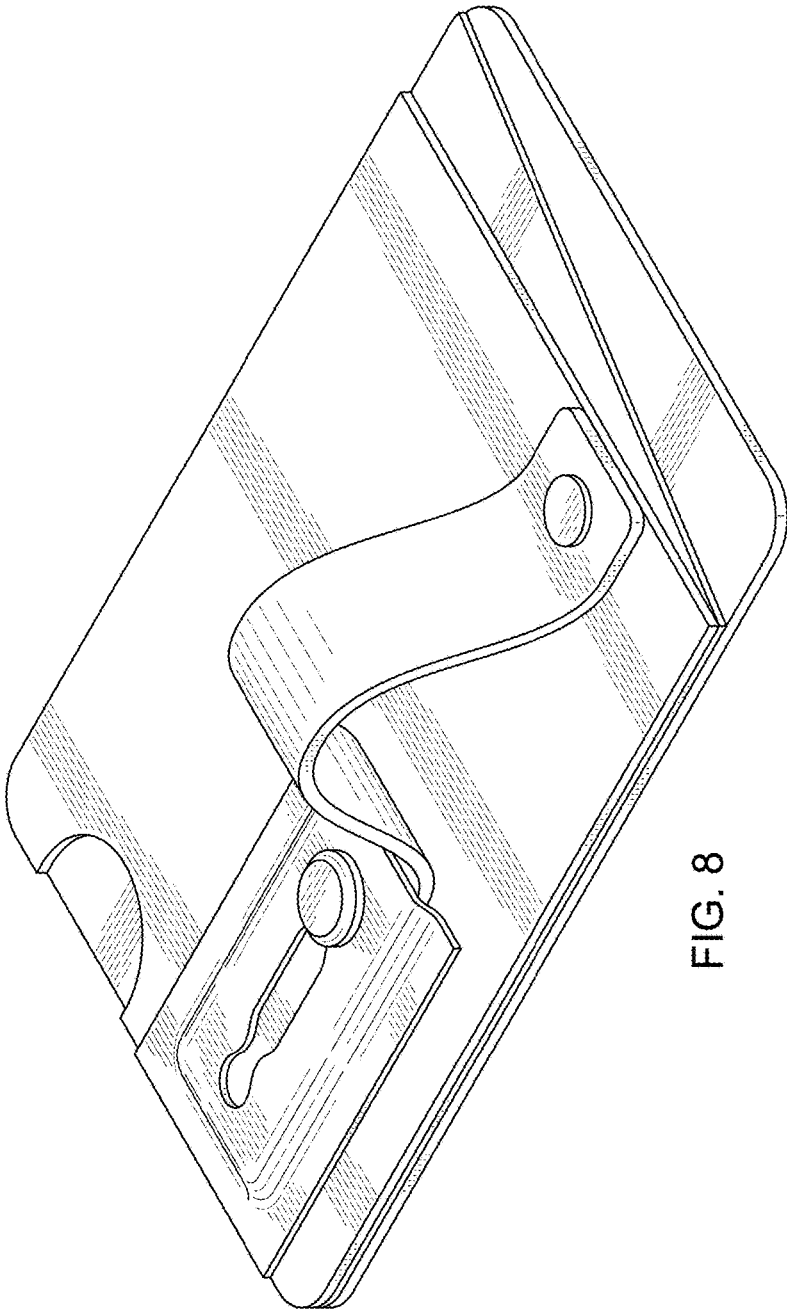


FIG. 8

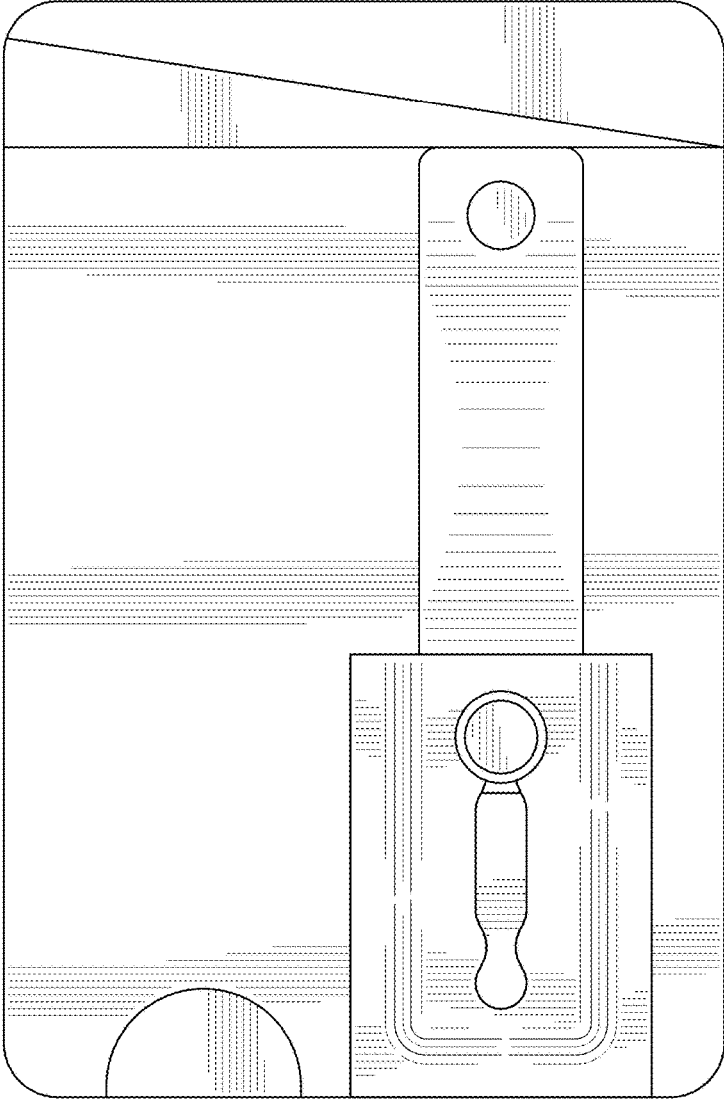


FIG. 9

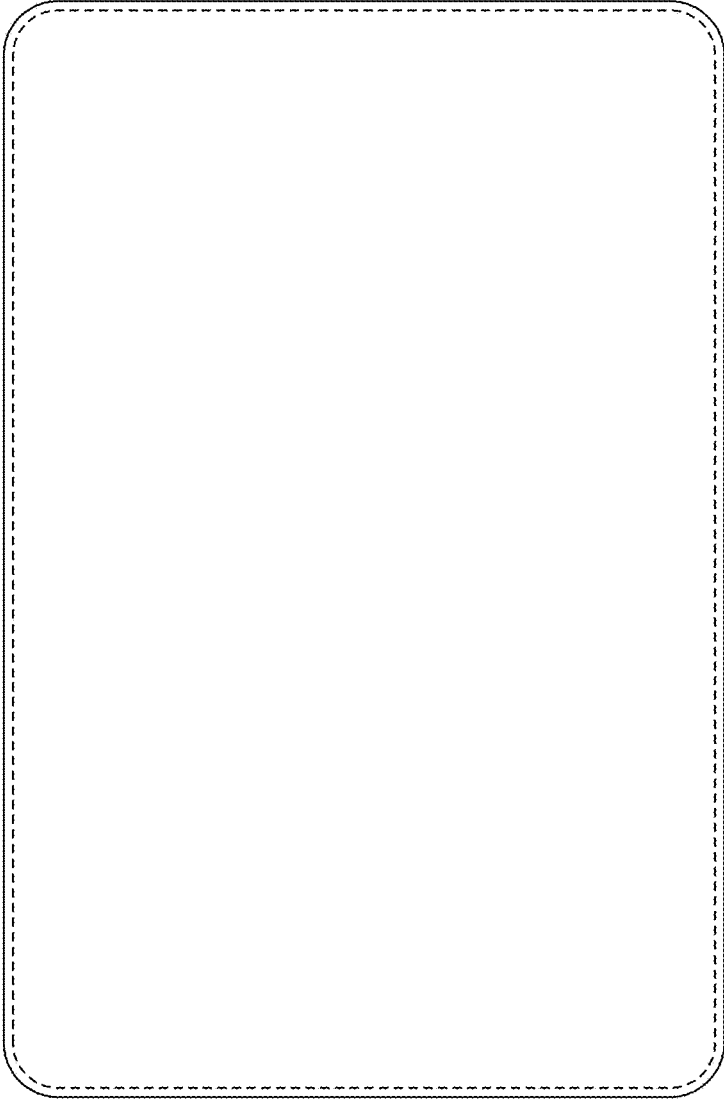


FIG. 10

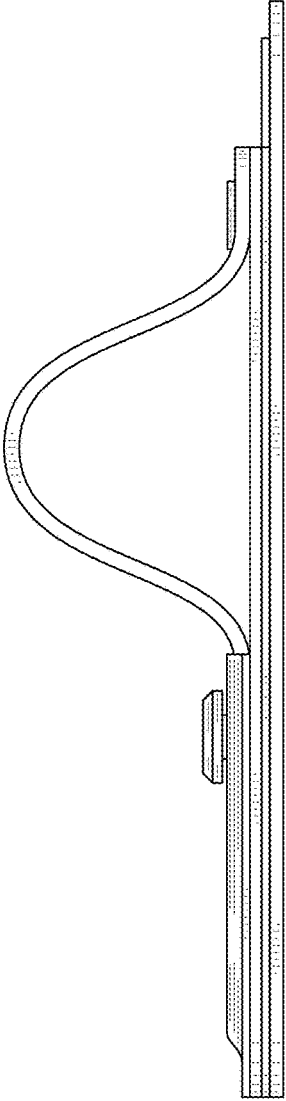


FIG. 11

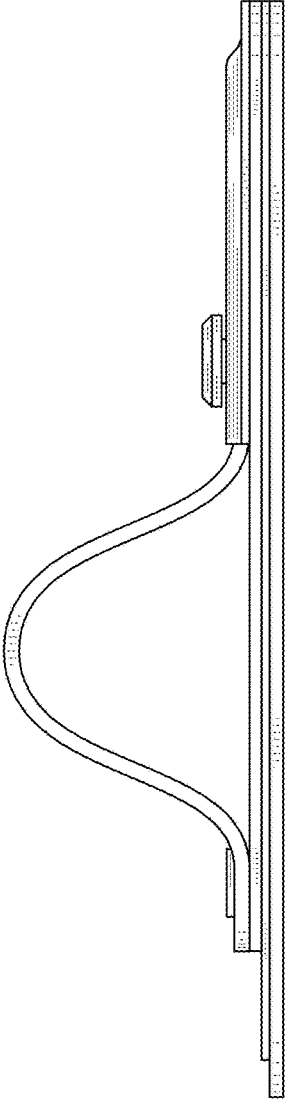


FIG. 12

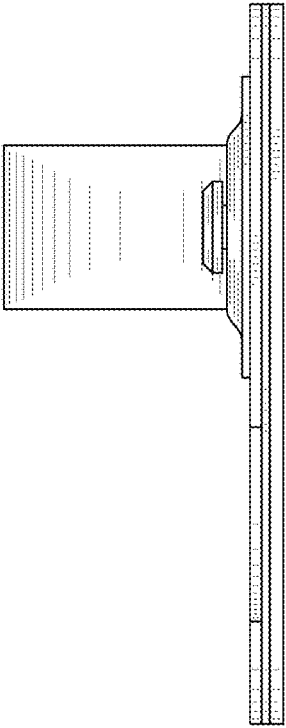


FIG. 13

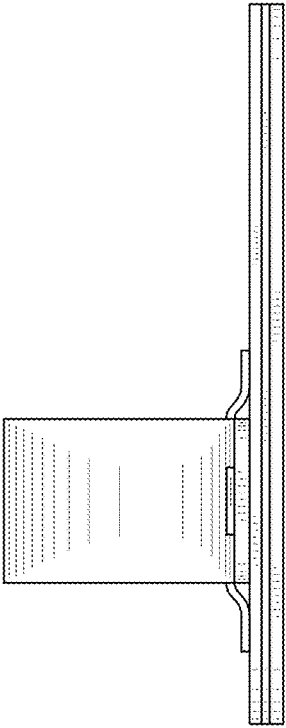


FIG. 14