



US00D866276S

(12) **United States Design Patent** (10) **Patent No.:** **US D866,276 S**
Shlaferman (45) **Date of Patent:** **** Nov. 12, 2019**

- (54) **WALLET CARD MULTI-TOOL WITH MIRROR**
- (71) Applicant: **DYNAMITE MARKETING INC,**
New York, NY (US)
- (72) Inventor: **Alex Shlaferman,** Brooklyn, NY (US)
- (**) Term: **15 Years**
- (21) Appl. No.: **29/667,751**
- (22) Filed: **Oct. 24, 2018**

D730,131 S	5/2015	Cornell	
D732,360 S	6/2015	Reeder	
D751,877 S *	3/2016	Shlaferman	D8/19
D772,678 S *	11/2016	Haarburger	D8/105
D792,749 S *	7/2017	Faro	D8/19
D793,352 S *	8/2017	Hill	D13/182
D799,301 S *	10/2017	Cetera	D8/105
D801,139 S *	10/2017	Cheng	D8/19
D808,765 S *	1/2018	Kisling	D8/105
D815,932 S *	4/2018	Lee	D8/27
D817,196 S *	5/2018	Haarburger	D10/64
D827,408 S *	9/2018	Stefanczyk-Lacor	D8/105
10,206,473 B2 *	2/2019	Haarburger	A45C 13/001
D842,070 S *	3/2019	Kisling	D8/105

* cited by examiner

Related U.S. Application Data

- (63) Continuation-in-part of application No. 29/657,006, filed on Jul. 18, 2018.
- (51) **LOC (12) Cl.** **08-05**
- (52) **U.S. Cl.**
USPC **D8/19**
- (58) **Field of Classification Search**
USPC D8/16, 18, 19, 20, 105, 363, 366,
D8/370-377, 380-382
CPC B25F 1/00; B25F 1/02; A45F 2200/0575;
G01B 5/18
See application file for complete search history.

Primary Examiner — Eliza Z Bennett-Hattan
(74) *Attorney, Agent, or Firm* — Michael J. Feigin, Esq.;
Feigin and Fridman

(57) **CLAIM**

The ornamental design for a wallet card multi-tool with mirror, as shown and described.

DESCRIPTION

FIG. 1 shows a top and side perspective view of a wallet card multi-tool with mirror.

FIG. 2 shows a bottom and reverse side perspective view thereof.

FIG. 3 shows a top plan view thereof.

FIG. 4 shows a bottom plan view thereof.

FIG. 5 shows a first side view thereof.

FIG. 6 shows a second side view thereof.

FIG. 7 shows a third side view thereof; and,

FIG. 8 shows a fourth side view thereof.

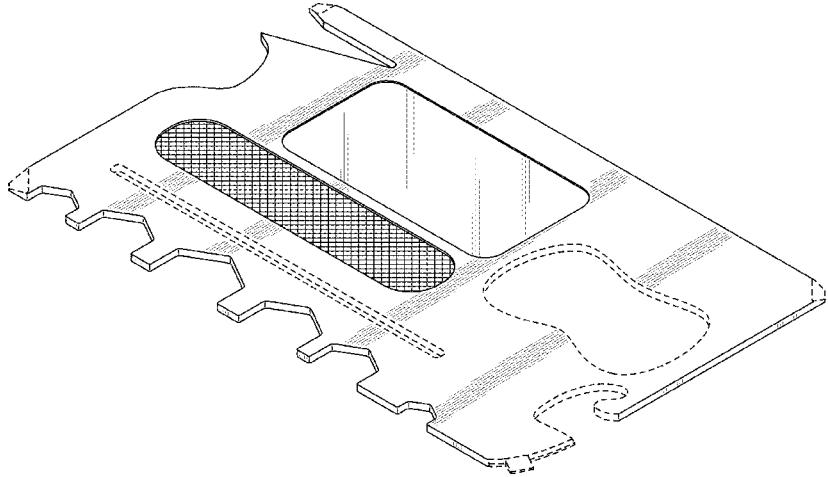
The broken lines depict unclaimed portions of the wallet card multi-tool with mirror only and form no part of the claimed design.

(56) **References Cited**

U.S. PATENT DOCUMENTS

D33,779 S	12/1900	Medern et al.
D218,272 S	8/1970	Bothe
D241,006 S	8/1976	Wallace
D356,243 S	3/1995	Eckerman
D468,977 S	1/2003	Graff et al.
D528,880 S	9/2006	Belflower
D666,883 S	9/2012	Howard et al.
D701,110 S	3/2014	Symons
D707,091 S	6/2014	Barr
D729,023 S	5/2015	Alho et al.

1 Claim, 5 Drawing Sheets



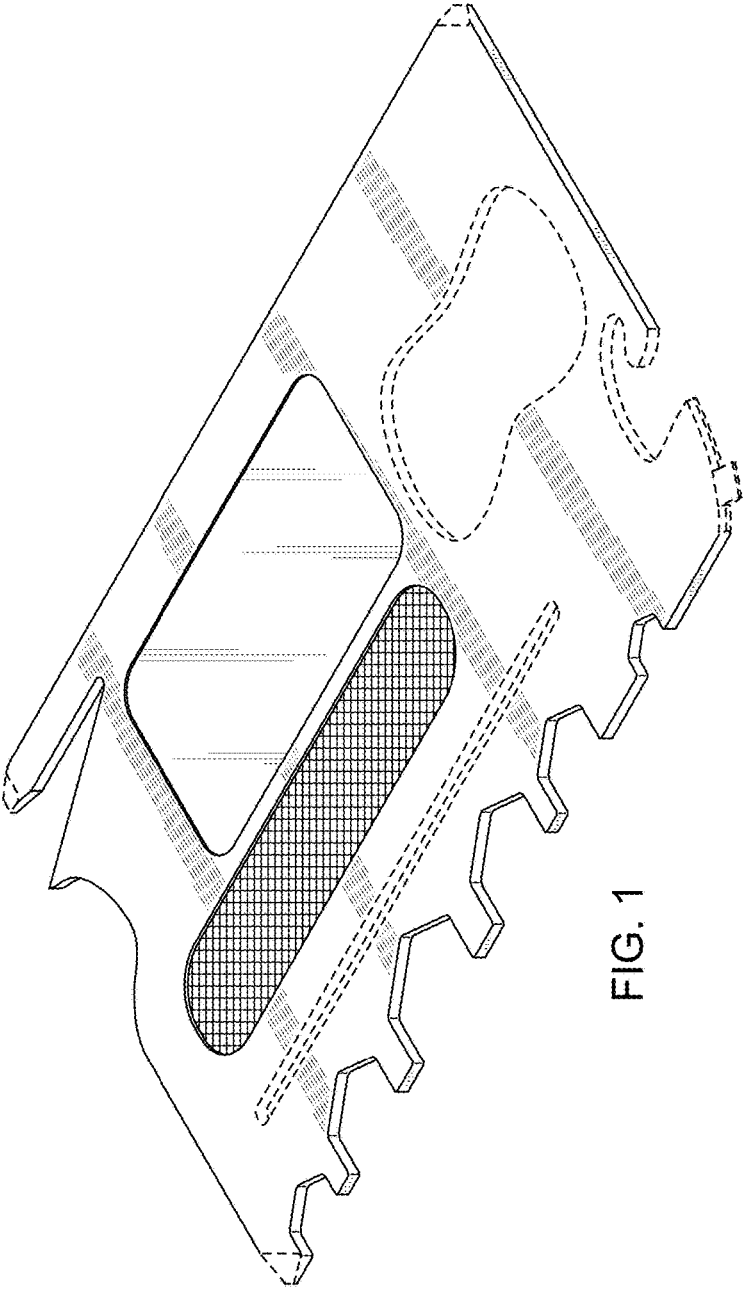


FIG. 1

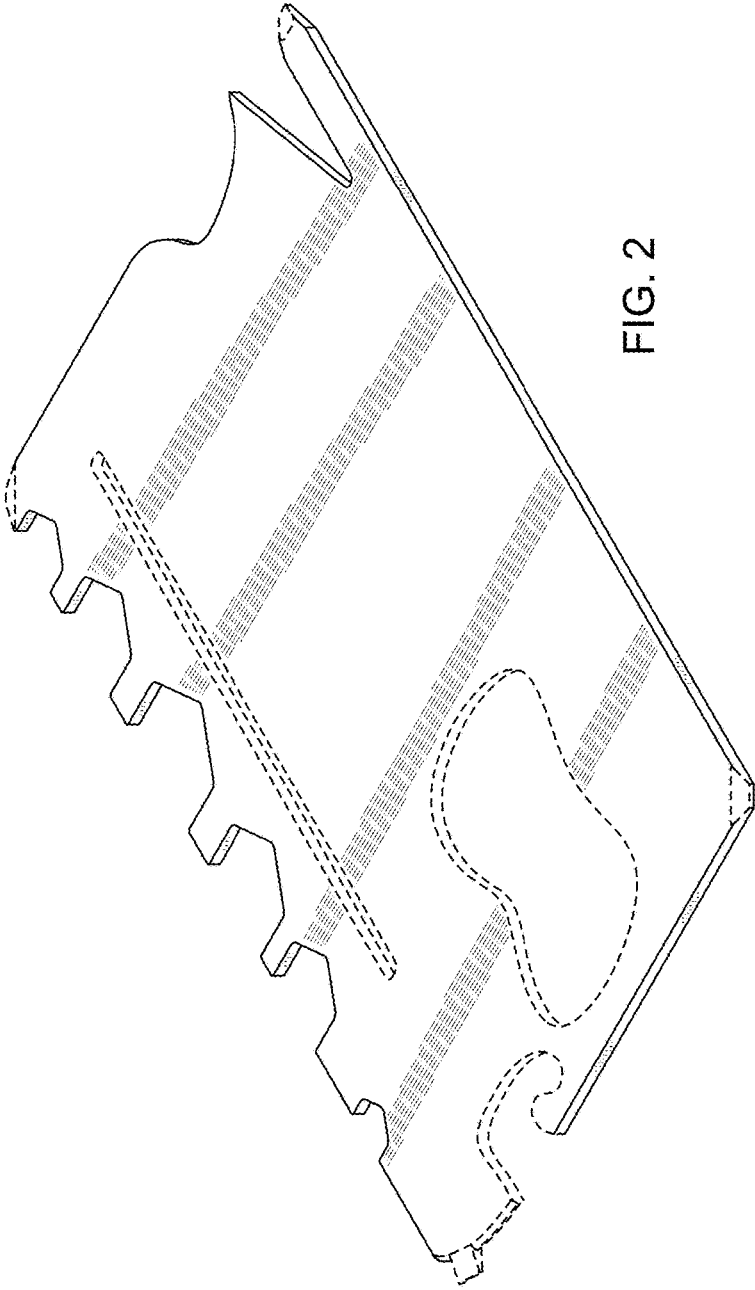


FIG. 2

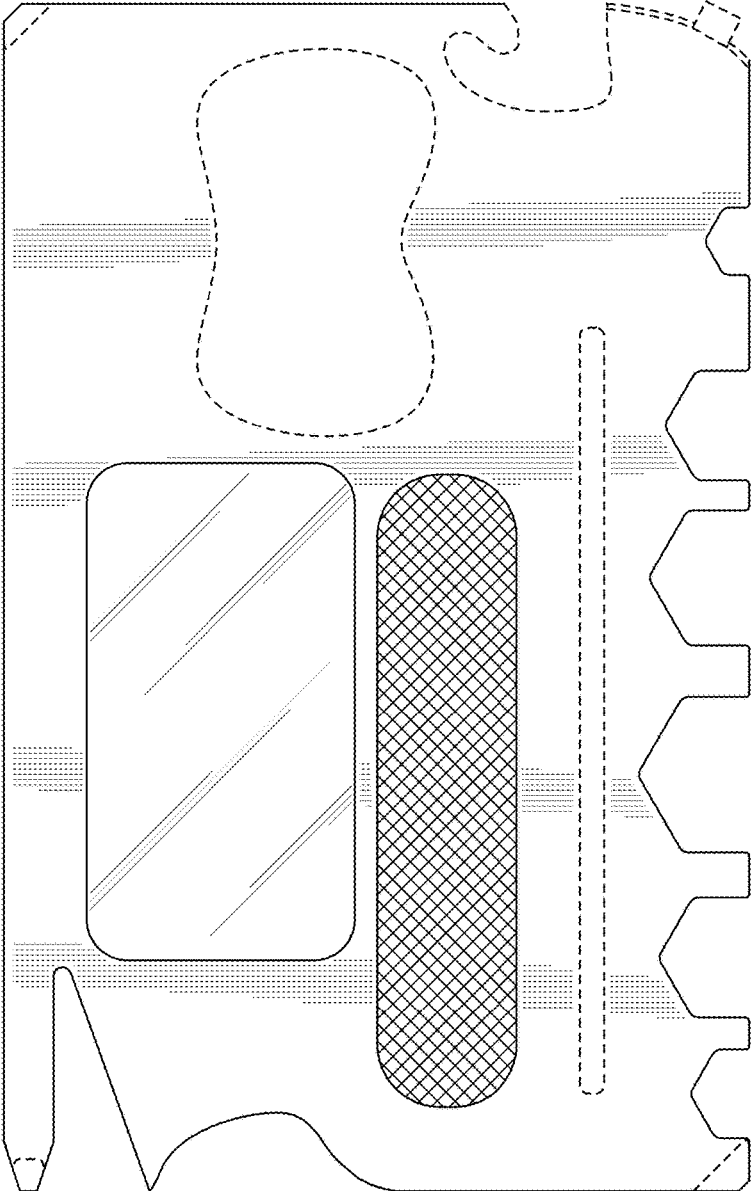


FIG. 3

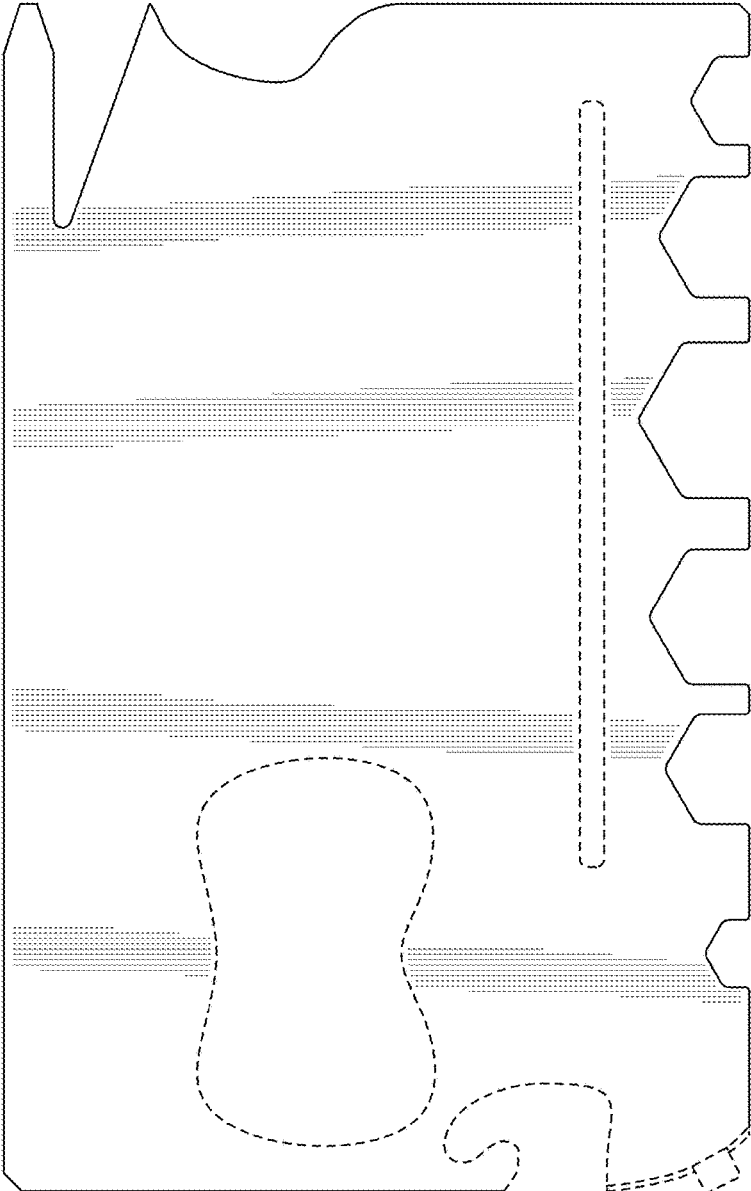


FIG. 4



FIG. 5



FIG. 6

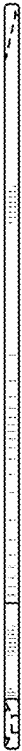


FIG. 7



FIG. 8