



US00D875880S

(12) **United States Design Patent**  
**Kremerman**

(10) **Patent No.:** **US D875,880 S**

(45) **Date of Patent:** **\*\* Feb. 18, 2020**

(54) **SHORT DISTILLATION HEAD COMPRISING  
A VERTICAL TUBE FILLED WITH A KEY**

D314,225 S 1/1991 Palmer  
D316,739 S 5/1991 Erickson  
D339,862 S 9/1993 Weber

(Continued)

(71) Applicant: **Elliot Kremerman**, Los Gatos, CA  
(US)

(72) Inventor: **Elliot Kremerman**, Los Gatos, CA  
(US)

(\*\*) Term: **15 Years**

(21) Appl. No.: **29/696,799**

(22) Filed: **Jul. 1, 2019**

(51) **LOC (12) Cl.** ..... **23-01**

(52) **U.S. Cl.**  
USPC ..... **D23/207**

(58) **Field of Classification Search**  
USPC ..... D23/207, 209, 213, 233, 259, 266, 268;  
D27/163-166, 194; 202/83, 255, 257,  
202/270  
CPC ..... B01D 5/0051; B01D 3/00; B01D 3/04;  
B01D 3/008  
See application file for complete search history.

(56) **References Cited**

**U.S. PATENT DOCUMENTS**

D173,603 S	12/1954	Atkinson	
3,020,215 A *	2/1962	Weber	B01D 1/0017 202/197
3,271,935 A *	9/1966	Smith	B01D 5/0006 55/434.4
3,334,025 A	8/1967	Reid	
D247,248 S	2/1978	Durot	
4,089,749 A	5/1978	Karamian	
D248,485 S	7/1978	Strauss	
4,159,817 A	7/1979	Ikawa	
4,230,536 A	10/1980	Sech	
4,303,614 A	12/1981	Spring	
D293,128 S	12/1987	Karamian	
D293,368 S	12/1987	Karamian	
D306,338 S	2/1990	Rempe	

**OTHER PUBLICATIONS**

Growing Labs Short Path Distillation Kit [Aug. 8, 2019] found online [Aug. 8, 2019]—[https://www.growinglabs.com/products/ai-51-short-path-distillation-kit-with-two-setup-options?gclid=EAlalQobChM1cjZpe\\_z4wIVDSsMCh1fZg1AEAQYBCABEgl-F\\_D\\_BwE.\\*](https://www.growinglabs.com/products/ai-51-short-path-distillation-kit-with-two-setup-options?gclid=EAlalQobChM1cjZpe_z4wIVDSsMCh1fZg1AEAQYBCABEgl-F_D_BwE.*)

(Continued)

*Primary Examiner* — Michael C Stout

*Assistant Examiner* — John A Voytek

(74) *Attorney, Agent, or Firm* — Michael J. Feigin, Esq.;  
Feigin and Fridman LLC

(57) **CLAIM**

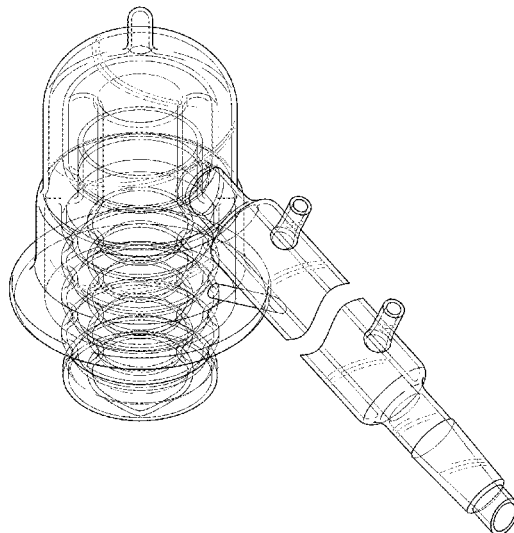
The ornamental design for a short distillation head comprising a vertical tube filled with a key, as shown and described.

**DESCRIPTION**

FIG. 1 shows a top and side perspective view of a short distillation head comprising a vertical tube filled with a key. FIG. 2 shows a bottom and reverse side view thereof. FIG. 3 shows a side elevation view thereof the reverse side being a mirror image thereof. FIG. 4 shows a front elevation view thereof. FIG. 5 shows a rear elevation view thereof. FIG. 6 shows a top plan view thereof. FIG. 7 shows a bottom plan view thereof; and, FIG. 8 shows cutaway elevation view along section line 8-8 of FIG. 4.

The short distillation head comprising a vertical tube filled with a key is shown with a symbolic break in its length. The appearance of any portion of the article between the break lines forms no part of the claimed design.

**1 Claim, 6 Drawing Sheets**



(56)

References Cited

U.S. PATENT DOCUMENTS

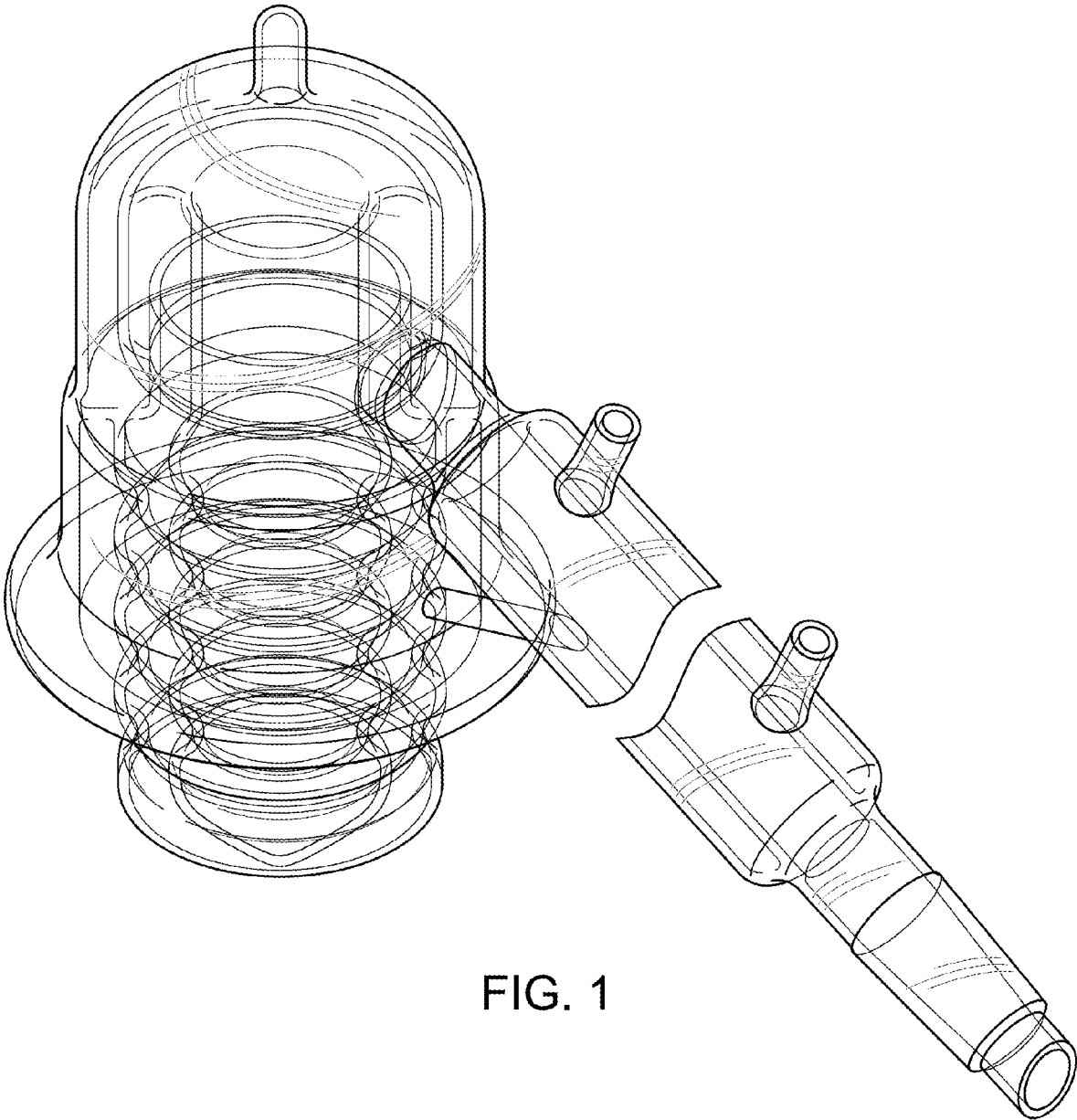
5,354,428 A 10/1994 Clark  
 D358,448 S 5/1995 Paoli  
 5,411,707 A 5/1995 Hiatt  
 5,711,857 A 1/1998 Armstrong  
 D412,550 S 8/1999 Bell  
 D425,174 S 5/2000 Swancara  
 D432,203 S 10/2000 Edwards  
 D455,813 S 4/2002 Mount  
 D458,340 S 6/2002 Lindahl  
 6,551,464 B1 4/2003 Kimel  
 D634,397 S 3/2011 Lautzenheiser  
 D673,673 S \* 1/2013 Wang ..... D24/129  
 D706,386 S 6/2014 Ambler  
 D727,460 S 4/2015 Collins  
 D731,615 S 6/2015 Ambler  
 9,138,657 B1 9/2015 Wiederin  
 D775,310 S 12/2016 Kremerman  
 D776,238 S 1/2017 Kremerman  
 D780,286 S 2/2017 Ausner  
 D787,630 S 5/2017 Lipkens  
 D790,033 S 6/2017 Kremerman  
 9,682,331 B2 6/2017 Kremerman

D802,084 S 12/2017 Kremerman  
 D802,085 S 12/2017 Kremerman  
 D805,599 S 12/2017 Kremerman  
 D805,600 S 12/2017 Kremerman  
 D806,829 S 1/2018 Kremerman  
 D819,779 S 6/2018 Kremerman  
 D828,904 S 9/2018 Maibach, Jr.  
 D841,119 S \* 2/2019 Huang ..... D23/207  
 D849,184 S \* 5/2019 Kremerman ..... D23/207  
 D849,186 S \* 5/2019 Kremerman ..... D23/207  
 D849,187 S \* 5/2019 Kremerman ..... D23/207  
 D852,928 S \* 7/2019 Maibach, Jr. .... D23/207  
 D855,754 S \* 8/2019 Maibach, Jr. .... D23/207  
 2017/0113160 A1 \* 4/2017 Kremerman ..... B01D 3/10  
 2017/0340988 A1 \* 11/2017 Kremerman ..... B01D 3/26  
 2017/0348610 A1 \* 12/2017 Kremerman ..... B01D 5/0063  
 2018/0161693 A1 \* 6/2018 Kremerman ..... B01D 3/32  
 2019/0009188 A1 \* 1/2019 Kremerman ..... B01D 5/006  
 2019/0060780 A1 \* 2/2019 Maibach ..... B01D 3/02  
 2019/0076752 A1 \* 3/2019 Maibach ..... B01D 5/006

OTHER PUBLICATIONS

U.S. Appl. No. 29/696,802, filed Jul. 1, 2019, Distillation Heads.

\* cited by examiner



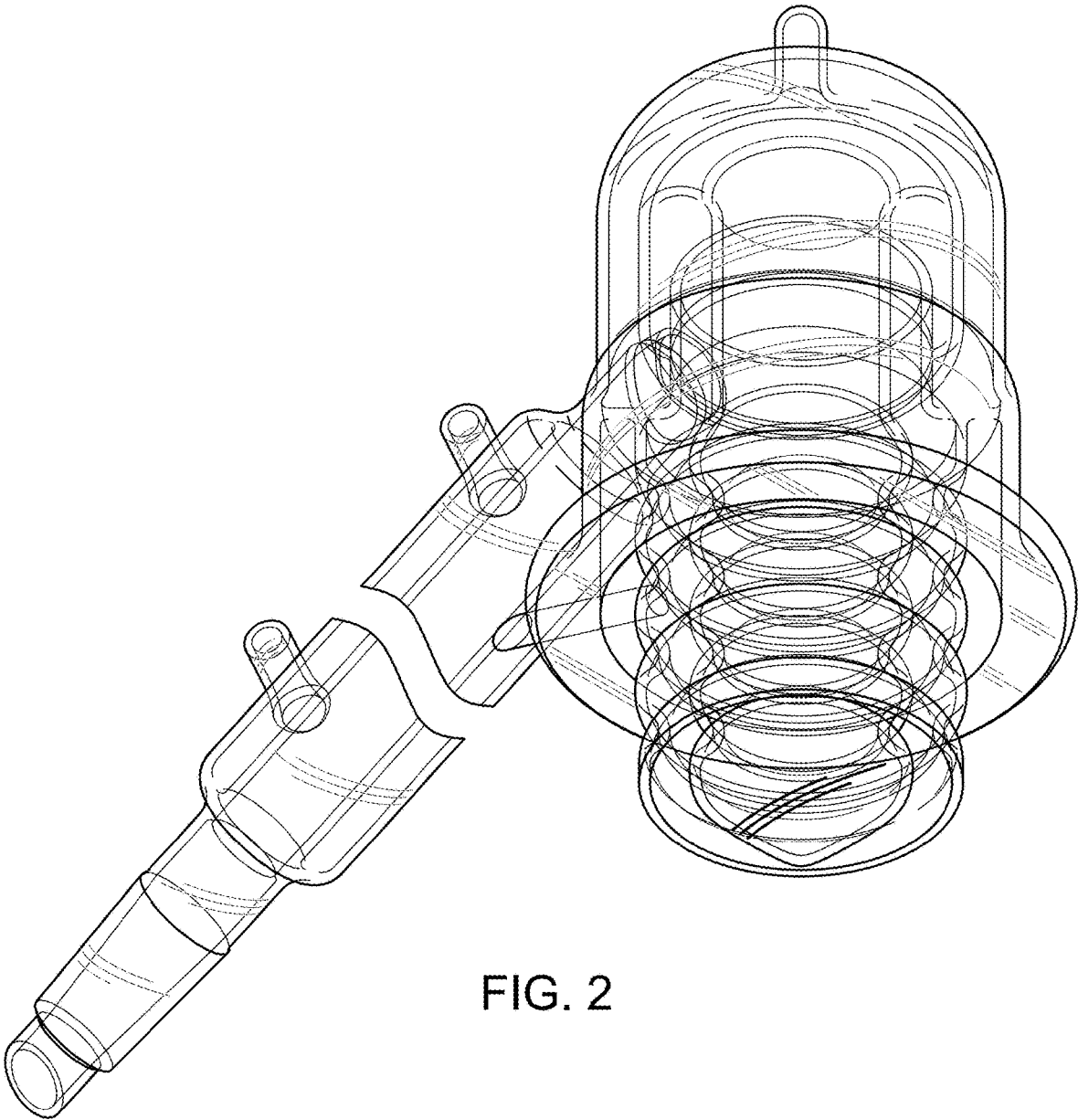


FIG. 2

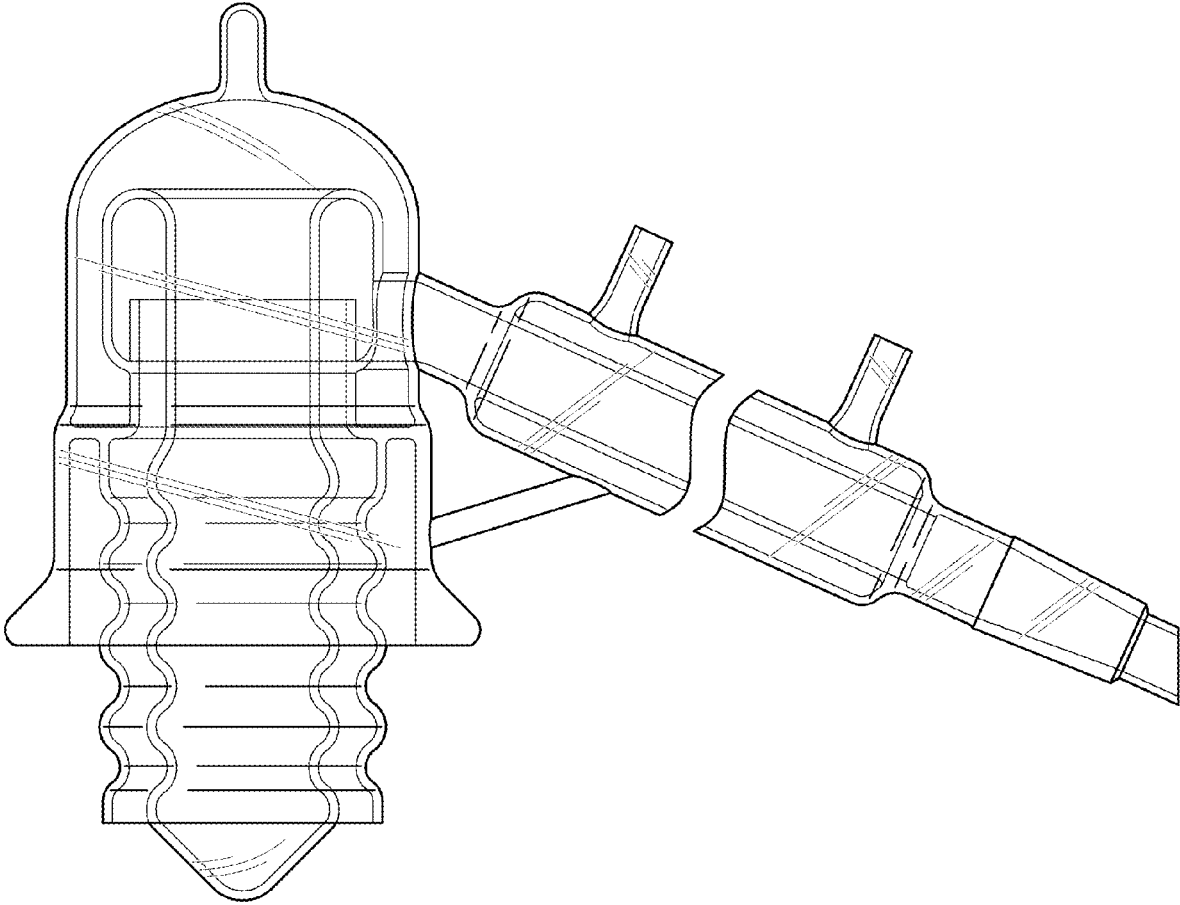


FIG. 3

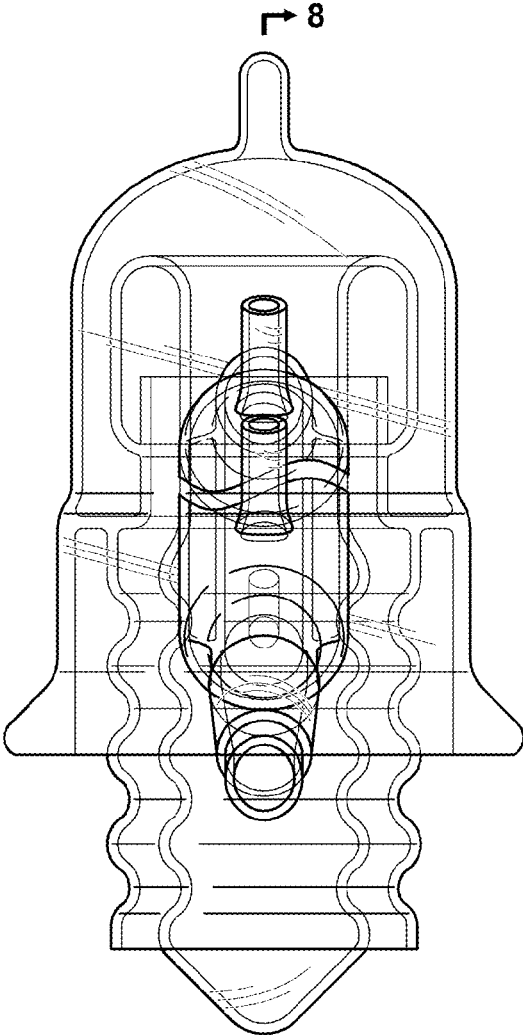


FIG. 4

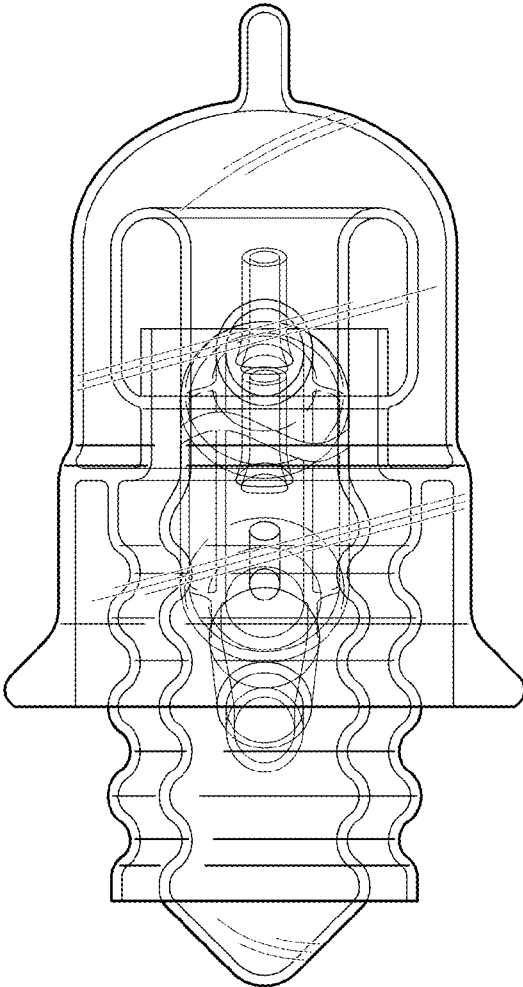


FIG. 5

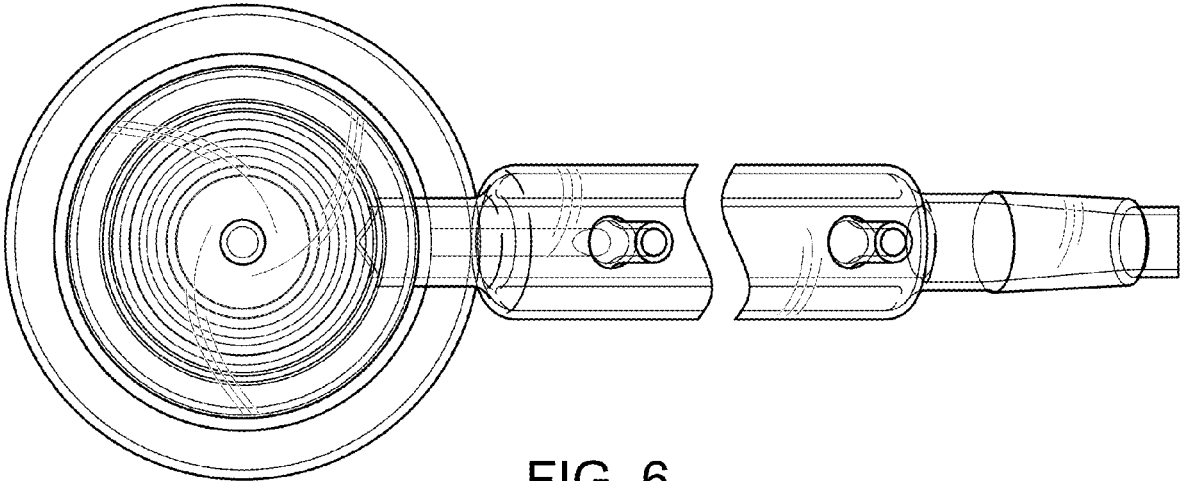


FIG. 6

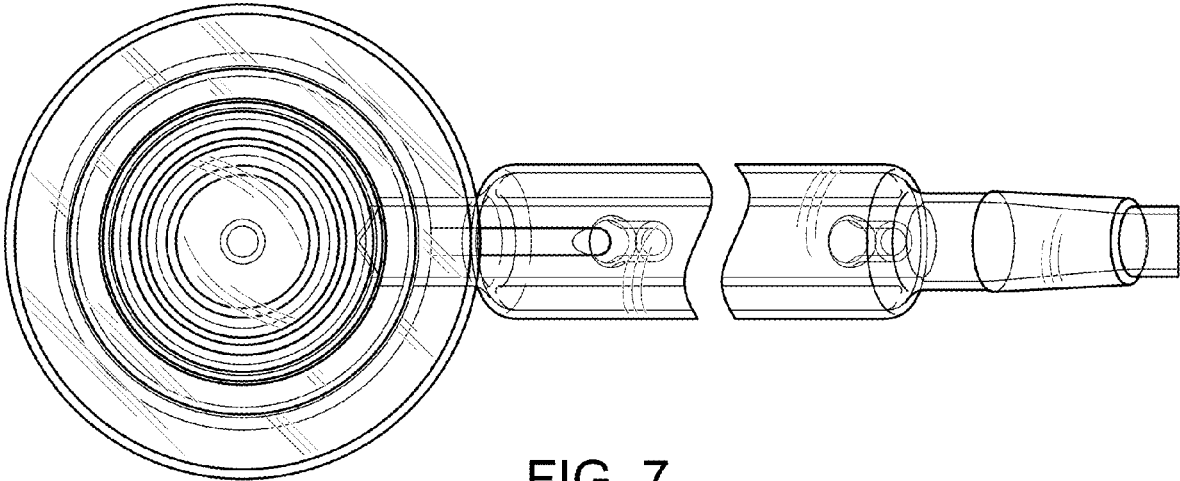


FIG. 7

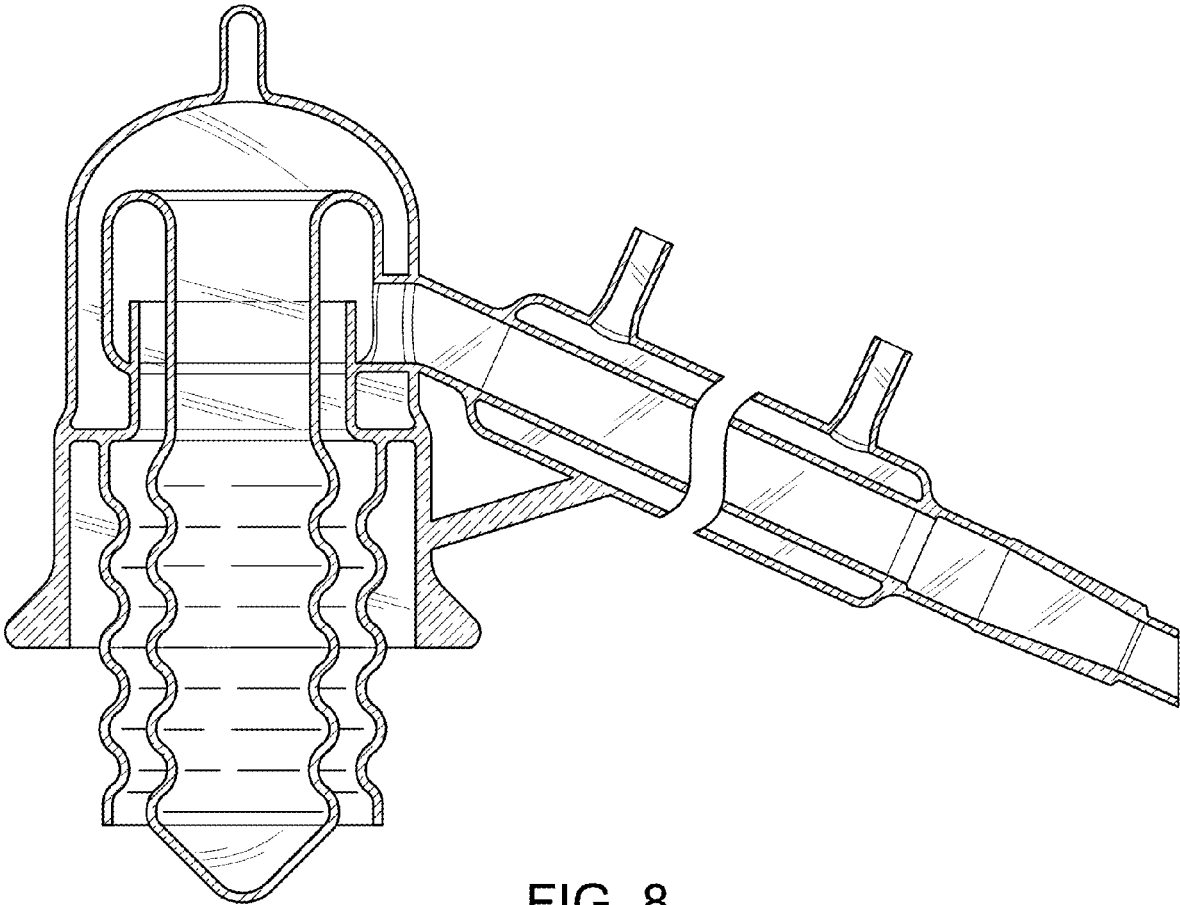


FIG. 8