



US00D875881S

(12) **United States Design Patent**  
**Kremerman**

(10) **Patent No.:** **US D875,881 S**

(45) **Date of Patent:** **\*\* Feb. 18, 2020**

- (54) **SHORT DISTILLATION HEAD**
- (71) Applicant: **Elliot Kremerman**, Los Gatos, CA (US)
- (72) Inventor: **Elliot Kremerman**, Los Gatos, CA (US)
- (\*\*) Term: **15 Years**
- (21) Appl. No.: **29/696,802**
- (22) Filed: **Jul. 1, 2019**
- (51) **LOC (12) Cl.** ..... **23-01**
- (52) **U.S. Cl.**  
USPC ..... **D23/207**
- (58) **Field of Classification Search**  
USPC ..... D23/207, 209, 213, 233, 259, 266, 268;  
D27/163-166, 194; 202/83, 255, 257,  
202/270  
CPC ..... B01D 5/0051; B01D 3/00; B01D 3/04;  
B01D 3/008  
See application file for complete search history.

5,411,707 A 5/1995 Hiatt  
 5,711,857 A 1/1998 Armstrong  
 D412,550 S 8/1999 Bell  
 (Continued)

**OTHER PUBLICATIONS**

Growing Labs Short Path Distillation Kit [Aug. 8, 2019] found online [Aug. 8, 2019]—[https://www.growinglabs.com/products/ai-51-short-path-distillation-kit-with-two-setup-options?gclid=EAlalQobChMI1cjZpe\\_z4wIVDSsMCh1fZg1AEAQYBCABEgl-F\\_D\\_BwE.\\*](https://www.growinglabs.com/products/ai-51-short-path-distillation-kit-with-two-setup-options?gclid=EAlalQobChMI1cjZpe_z4wIVDSsMCh1fZg1AEAQYBCABEgl-F_D_BwE.*)

(Continued)

*Primary Examiner* — Michael C Stout  
*Assistant Examiner* — John A Voytek  
 (74) *Attorney, Agent, or Firm* — Michael J. Feigin, Esq.;  
 Feigin and Fridman LLC

(57) **CLAIM**

The ornamental design for a short distillation head, as shown and described.

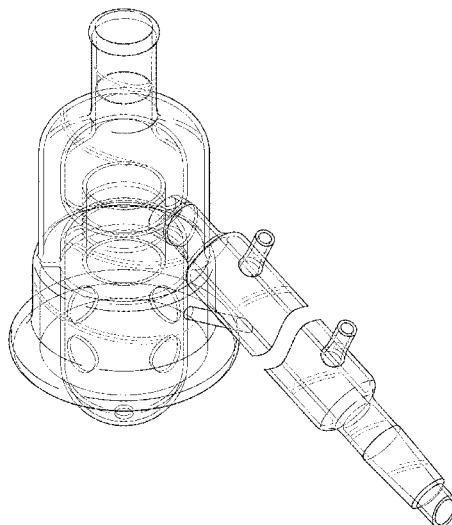
**DESCRIPTION**

FIG. 1 shows a top and side perspective view of a short distillation head.  
 FIG. 2 shows a bottom and reverse side perspective view thereof.  
 FIG. 3 shows a side elevation view thereof the reverse side being a mirror image thereof.  
 FIG. 4 shows a front elevation view thereof.  
 FIG. 5 shows a rear elevation view thereof.  
 FIG. 6 shows a top plan view thereof; and,  
 FIG. 7 shows a bottom plan view thereof.  
 FIG. 8 shows a cutaway side elevation view thereof along section lines 8-8 of FIGS. 4, 6, and 7.  
 The short distillation head is shown with a symbolic break in its length. The appearance of any portion of the article between the break lines forms no part of the claimed design.

**1 Claim, 6 Drawing Sheets**

(56) **References Cited**  
**U.S. PATENT DOCUMENTS**

D173,603	S	12/1954	Atkinson	
3,020,215	A	2/1962	Weber	
3,271,935	A	9/1966	Smith	
3,334,025	A	8/1967	Reid	
D247,248	S	2/1978	Durot	
4,089,749	A	5/1978	Karamian	
D248,485	S	7/1978	Strauss	..... D23/209
4,159,817	A	7/1979	Ikawa	
4,230,536	A	10/1980	Sech	
4,303,614	A	12/1981	Spring	
D293,128	S	12/1987	Karamian	
D293,368	S	12/1987	Karamian	
D306,338	S	2/1990	Rempe	
D314,225	S	1/1991	Palmer	
D316,739	S	5/1991	Erickson	
D339,862	S	9/1993	Weber	
5,354,428	A	10/1994	Clark	
D358,448	S	5/1995	Paoli	



(56)

**References Cited**

## U.S. PATENT DOCUMENTS

D425,174	S	5/2000	Swancara	
D432,203	S	10/2000	Edwards	
D455,813	S	4/2002	Mount	
D458,340	S	6/2002	Lindahl	
6,551,464	B1	4/2003	Kimel	
D634,397	S	3/2011	Lautzenheiser	
D706,386	S	6/2014	Ambler	
D727,460	S	4/2015	Collins	
D728,854	S	*	5/2015 Siniakov	..... D27/162
D731,615	S	6/2015	Ambler	
9,138,657	B1	9/2015	Wiederin	
D775,310	S	12/2016	Kremerman	
D776,238	S	1/2017	Kremerman	
D780,286	S	2/2017	Ausner	
D787,630	S	5/2017	Lipkens	
D790,033	S	6/2017	Kremerman	
9,682,331	B2	6/2017	Kremerman	
D802,084	S	11/2017	Kremerman	
D802,085	S	11/2017	Kremerman	
D805,599	S	*	12/2017 Kremerman	..... D23/207
D805,600	S	*	12/2017 Kremerman	..... D23/207
D806,829	S	1/2018	Kremerman	
D819,779	S	6/2018	Kremerman	
D828,904	S	9/2018	Maibach, Jr.	
D849,184	S	*	5/2019 Kremerman	..... D23/207
D849,187	S	*	5/2019 Kremerman	..... D23/207
2018/0161693	A1	*	6/2018 Kremerman	..... B01D 3/32
2018/0290074	A1	*	10/2018 Kremerman	..... B01D 3/02
2019/0009188	A1	*	1/2019 Kremerman	..... B01D 5/006
2019/0076752	A1	*	3/2019 Maibach	..... B01D 5/006

## OTHER PUBLICATIONS

U.S. Appl. No. 29/696,799, filed Jul. 1, 2019, Distillation Heads.

\* cited by examiner

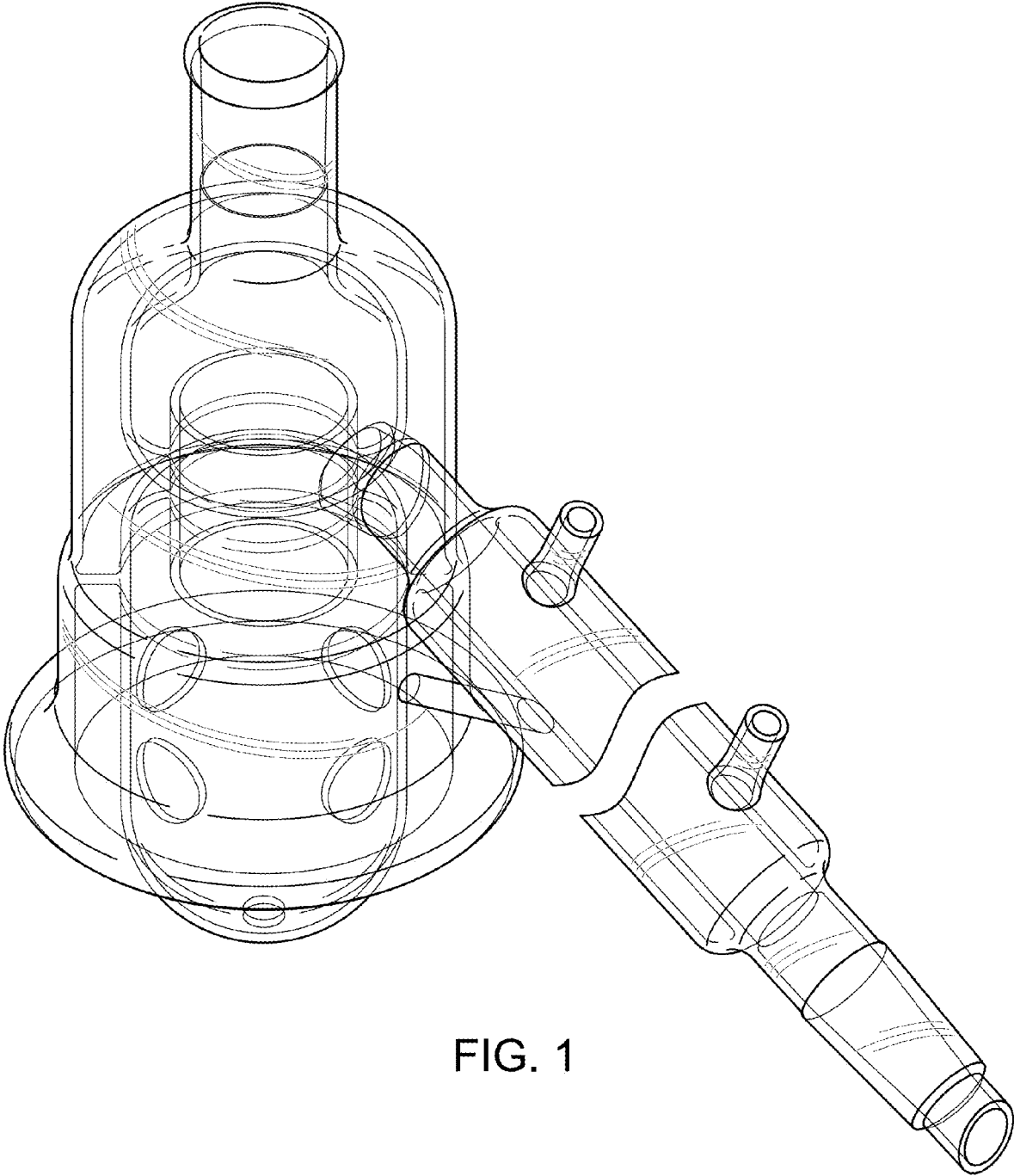


FIG. 1

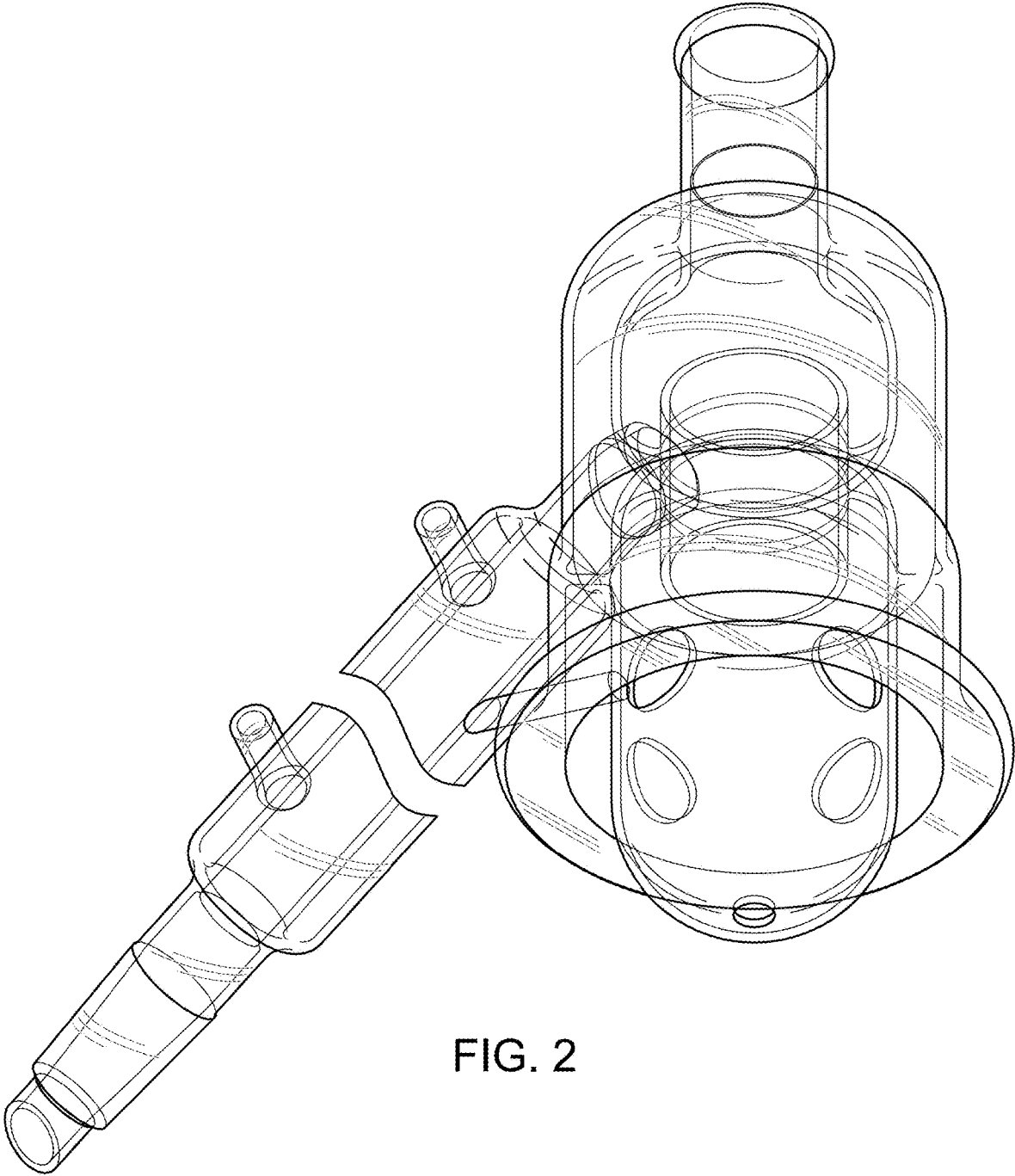


FIG. 2

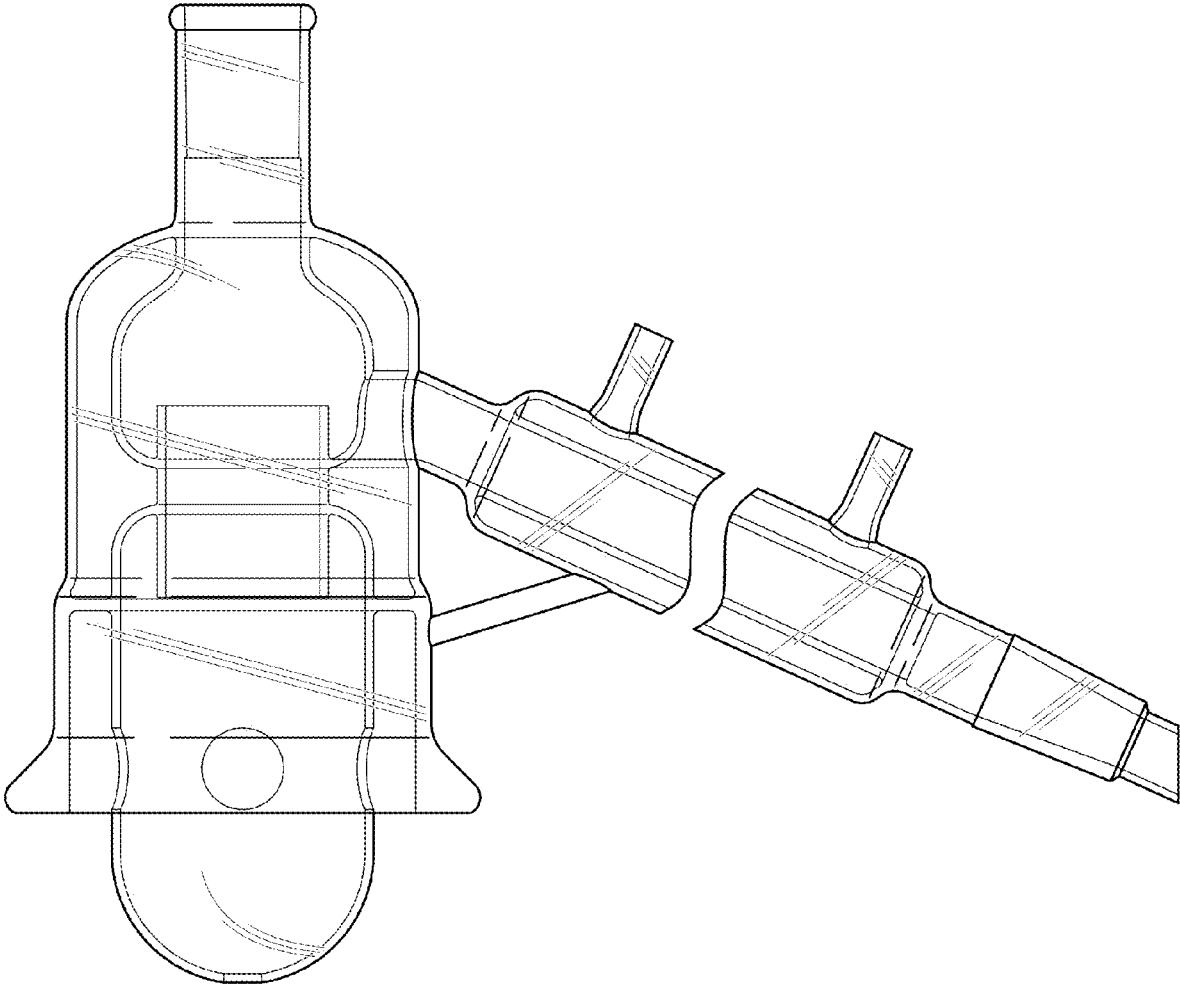


FIG. 3

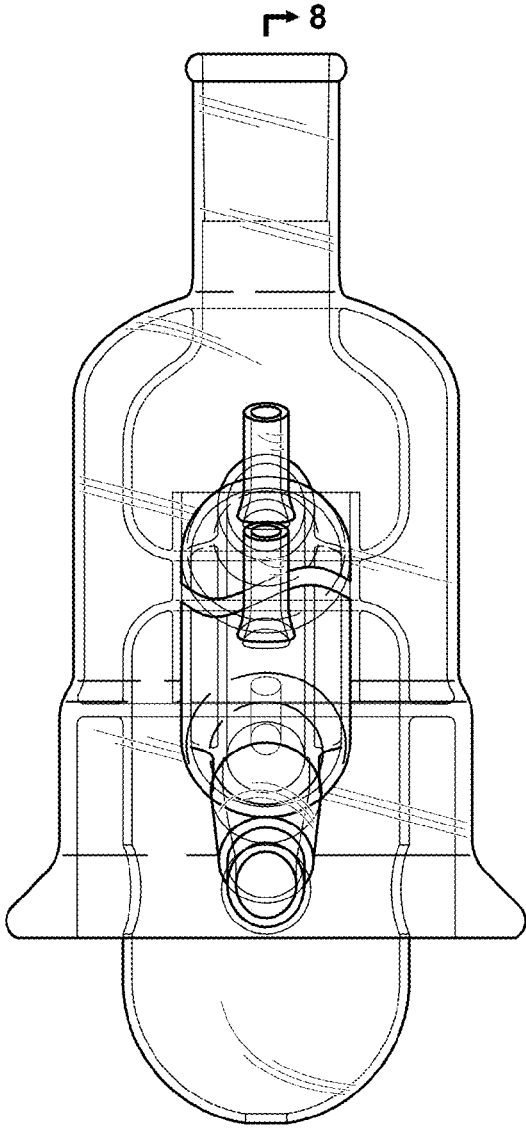


FIG. 4

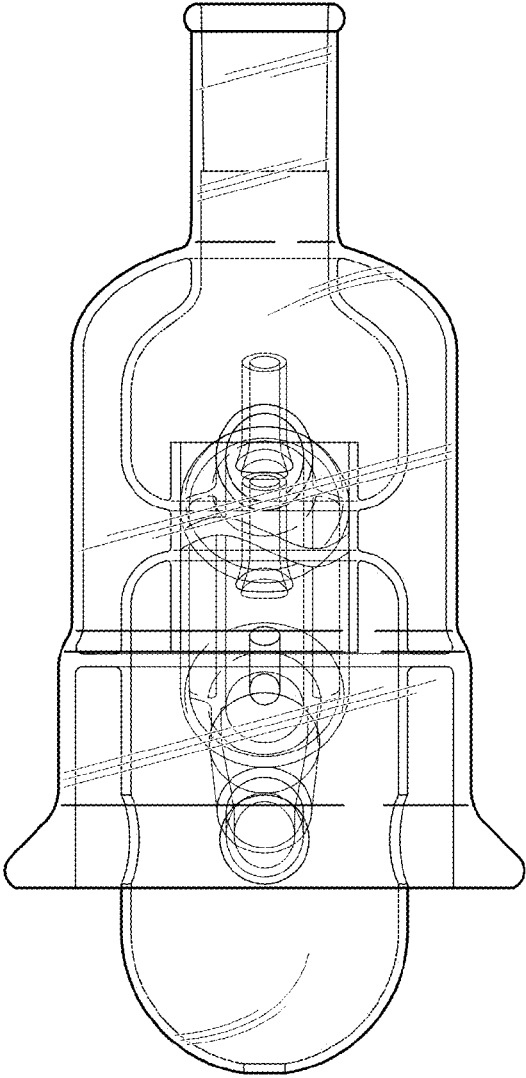
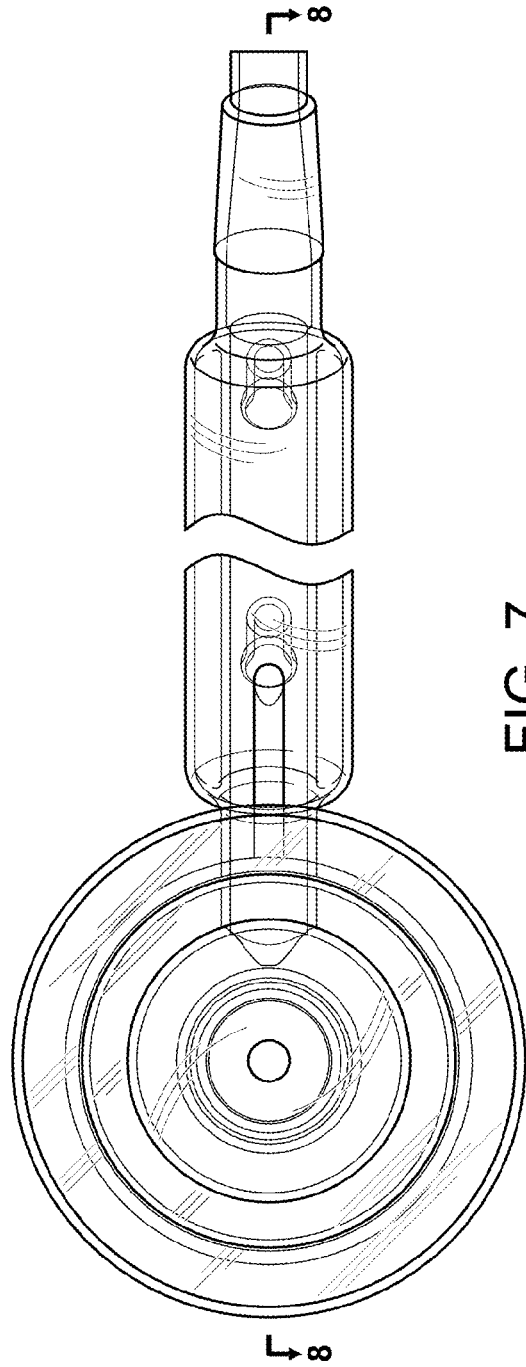
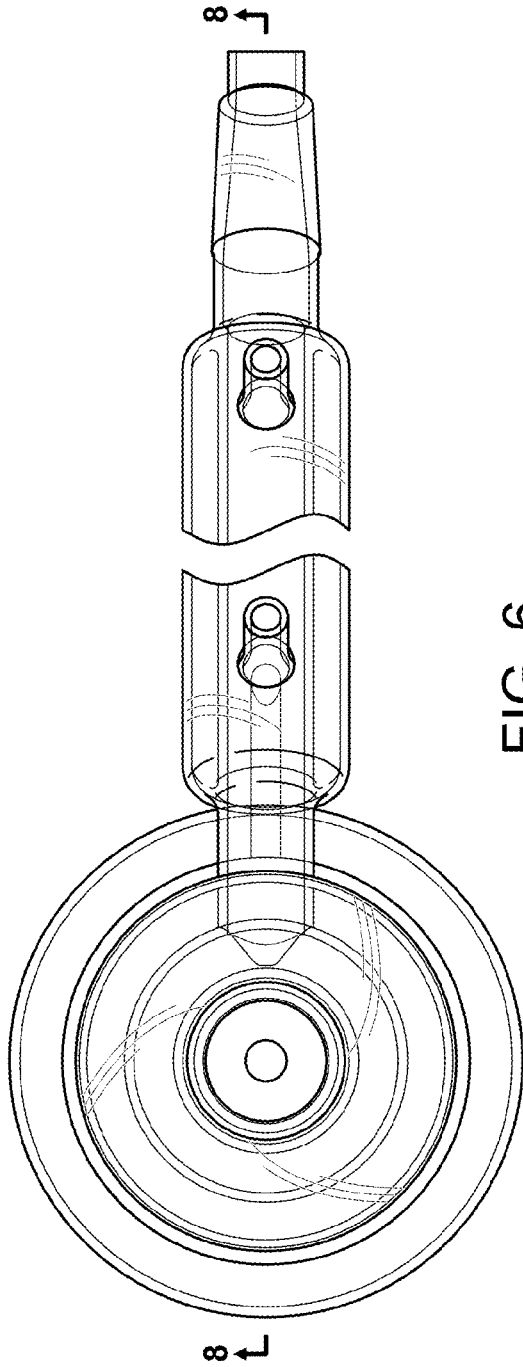


FIG. 5



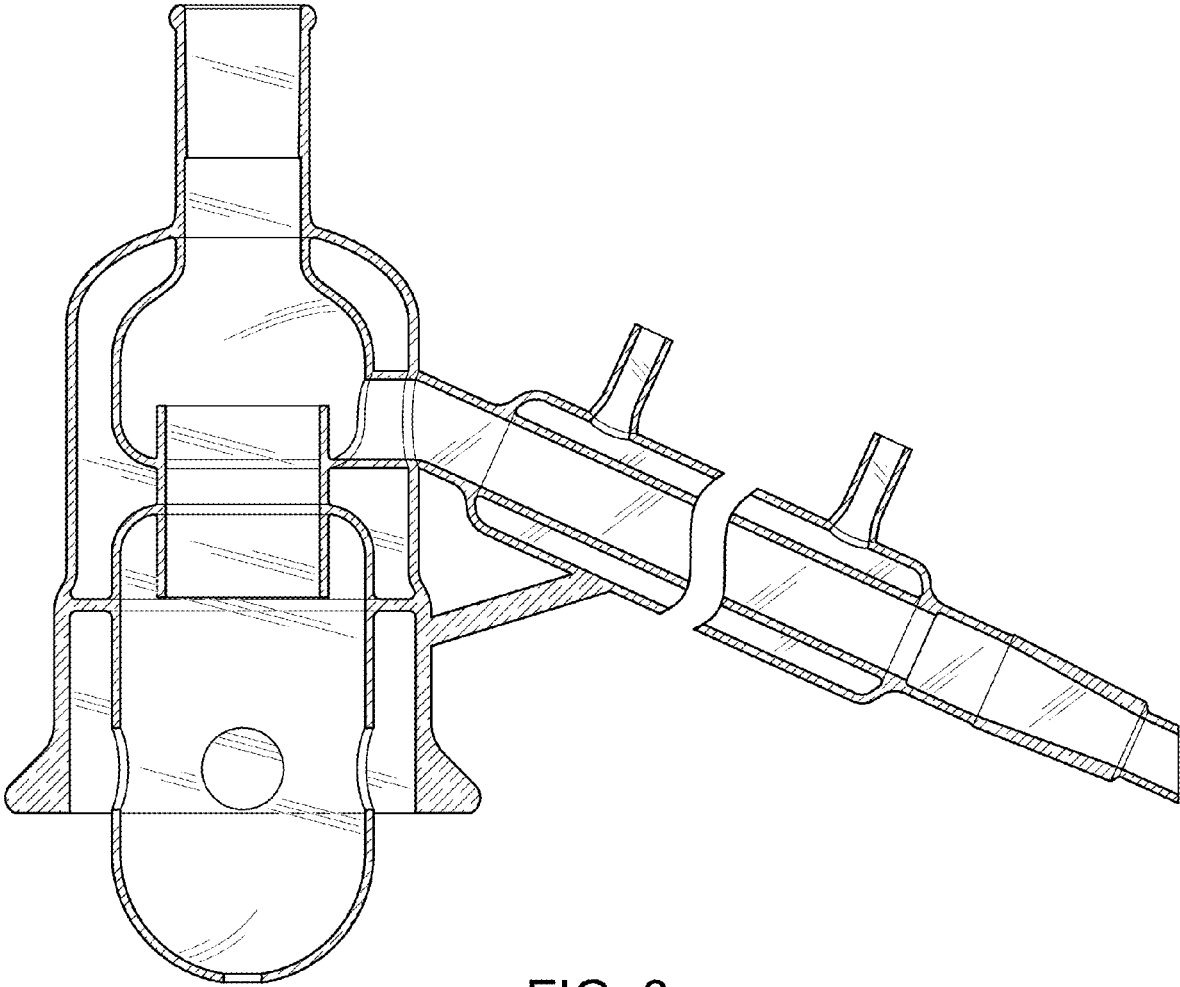


FIG. 8