



(12) **United States Design Patent**
Kremerman

(10) **Patent No.:** **US D882,035 S**
(45) **Date of Patent:** **** Apr. 21, 2020**

- (54) **END CAP ADAPTER FOR A GLASS HOSE**
- (71) Applicant: **Elliot Kremerman**, Scotts Valley, CA (US)
- (72) Inventor: **Elliot Kremerman**, Scotts Valley, CA (US)
- (**) Term: **15 Years**
- (21) Appl. No.: **29/654,584**
- (22) Filed: **Jun. 26, 2018**
- (51) **LOC (12) Cl.** **23-01**
- (52) **U.S. Cl.**
USPC **D23/206**
- (58) **Field of Classification Search**
USPC D23/200, 206, 207, 209, 260, 262, 266, D23/366; D15/79, 81; D7/306; D14/140.4, 188, 496; D24/127
CPC B65D 47/06; A61M 15/086; A61M 15/00; A61M 11/001; A61M 15/009
See application file for complete search history.

- D768,489 S * 10/2016 Indruk D9/447
- D805,629 S * 12/2017 Fiorenza D24/110
- D805,637 S * 12/2017 Bureau D24/130
- D853,183 S * 7/2019 Adams, Jr. D7/392.1
- D853,535 S * 7/2019 Norton D23/266

OTHER PUBLICATIONS

RosinPower Stainless Steel Adapter reference [Feb. 28, 2020] found online [Feb. 28, 2020]—<https://www.rosinpower.com/best-value-vacs-stainless-steel-24-40-x-kf-25-adapter.html>.*

* cited by examiner

Primary Examiner — Brandon M Rosati
Assistant Examiner — John A Voytek
(74) *Attorney, Agent, or Firm* — Michael J. Feigin, Esq.; Feigin and Fridman LLC

(57) **CLAIM**

The ornamental design for an end cap adapter for a glass hose, as shown and described.

DESCRIPTION

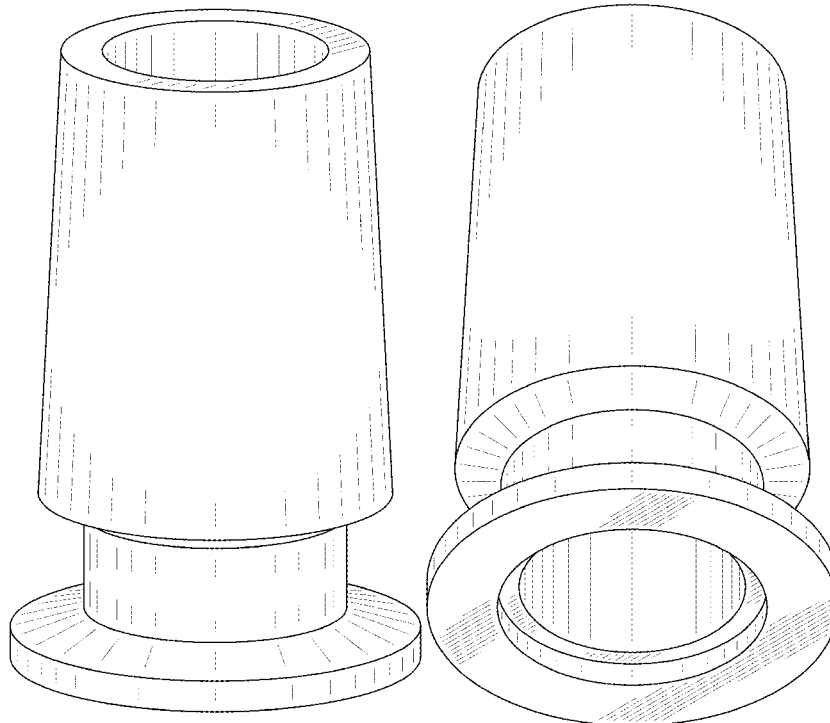
FIG. 1 shows a top and side perspective view of an end cap adapter for a glass hose.
 FIG. 2 shows a bottom and reverse side perspective view thereof.
 FIG. 3 shows a front view, the reverse side being a mirror image thereof.
 FIG. 4 shows a side view thereof, the reverse side being a mirror image thereof.
 FIG. 5 shows a top plan view thereof.
 FIG. 6 shows a bottom plan view thereof; and,
 FIG. 7 shows a cutaway view of the front along section line 7-7 of FIG. 5.

(56) **References Cited**

U.S. PATENT DOCUMENTS

- D359,683 S * 6/1995 Beach D9/434
- D437,934 S * 2/2001 Wilkinson D23/248
- D452,343 S * 12/2001 Pan D26/138
- D493,214 S * 7/2004 Snyder, Sr. D23/262
- D627,039 S * 11/2010 Yu D23/260
- D631,542 S * 1/2011 DeGross D24/129
- D676,943 S * 2/2013 Kluss D23/262
- D709,995 S * 7/2014 Crabbe D23/262

1 Claim, 6 Drawing Sheets



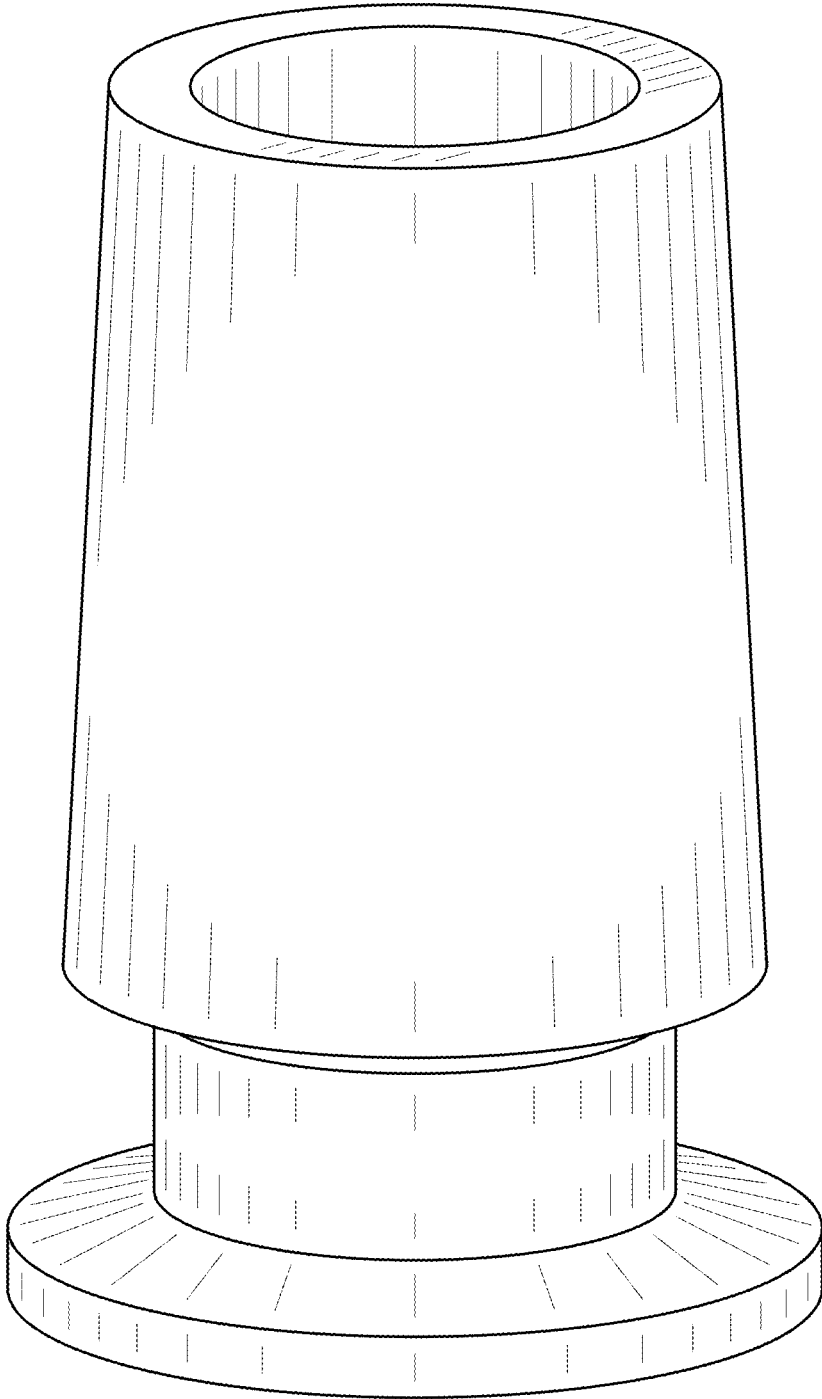


FIG. 1

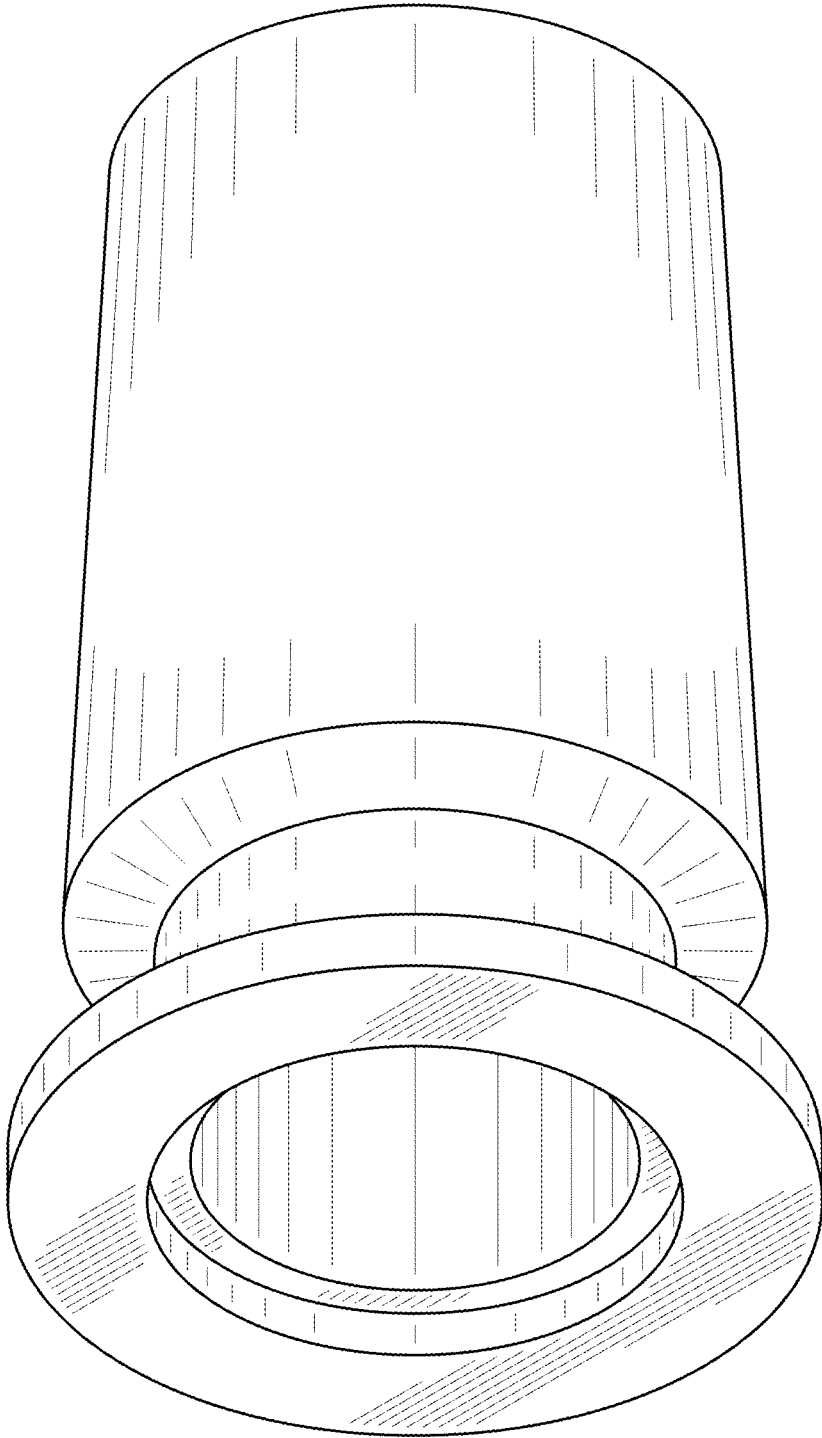


FIG. 2

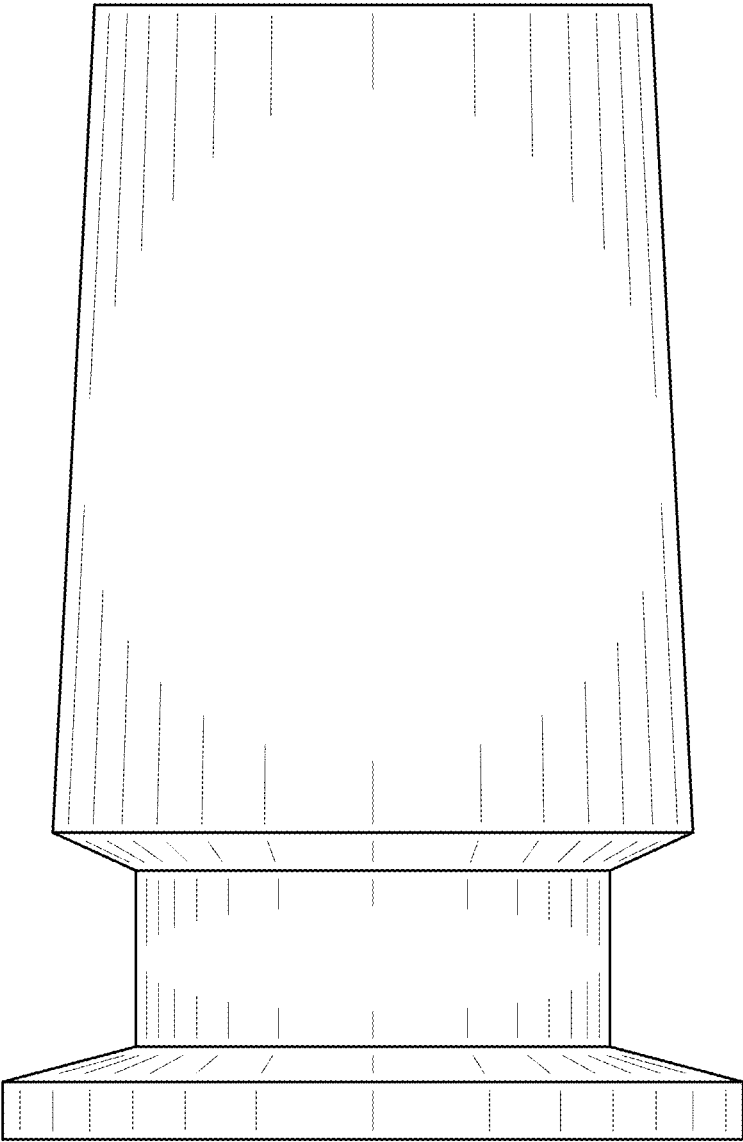


FIG. 3

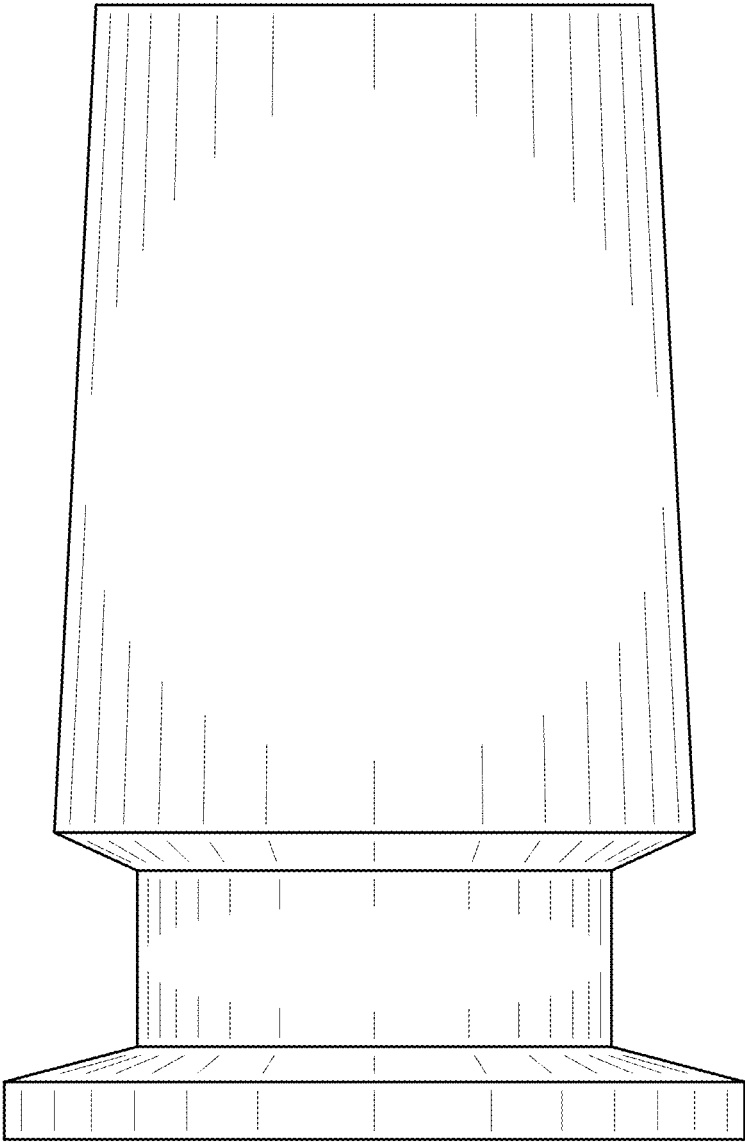


FIG. 4

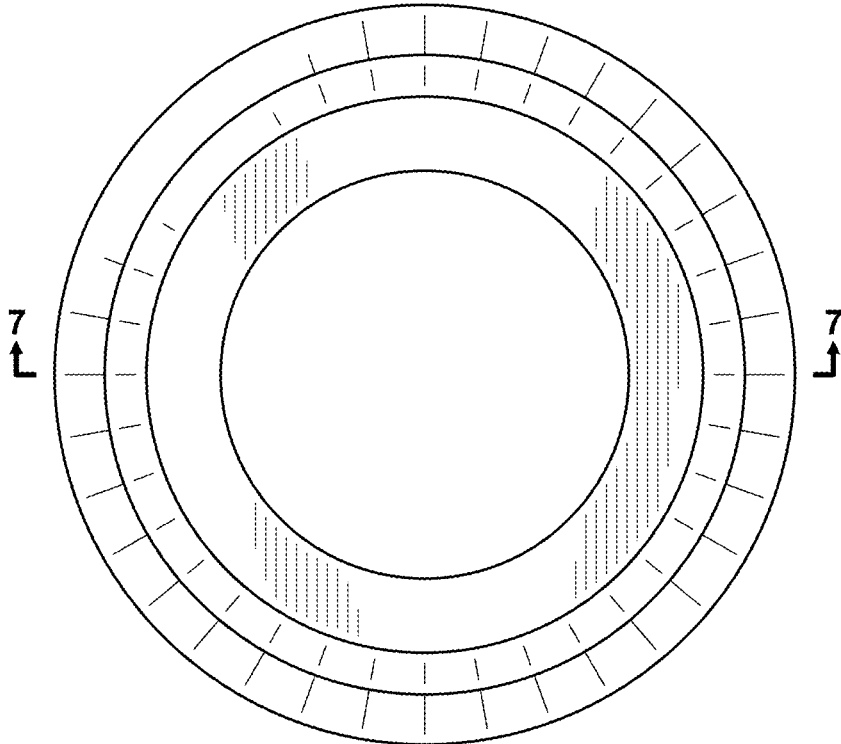


FIG. 5

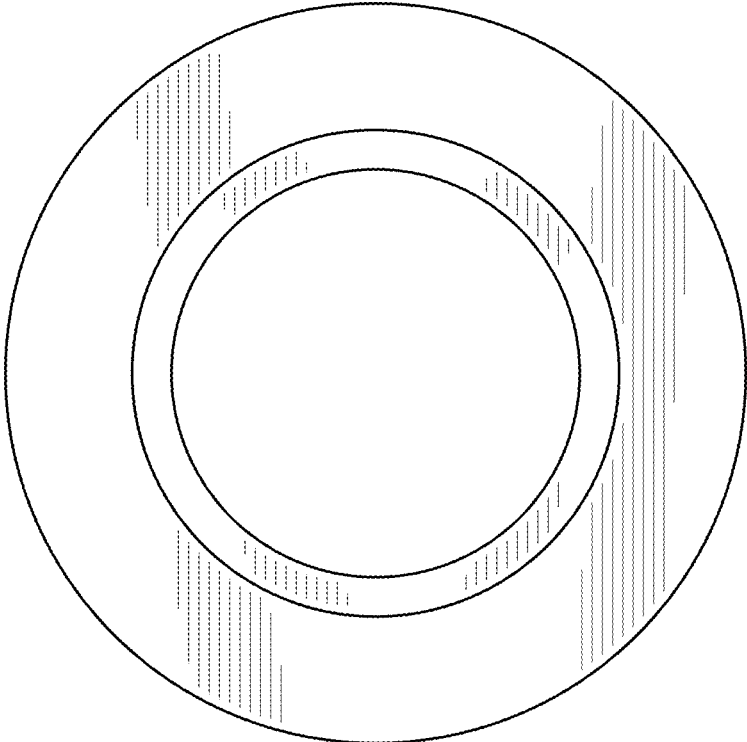


FIG. 6

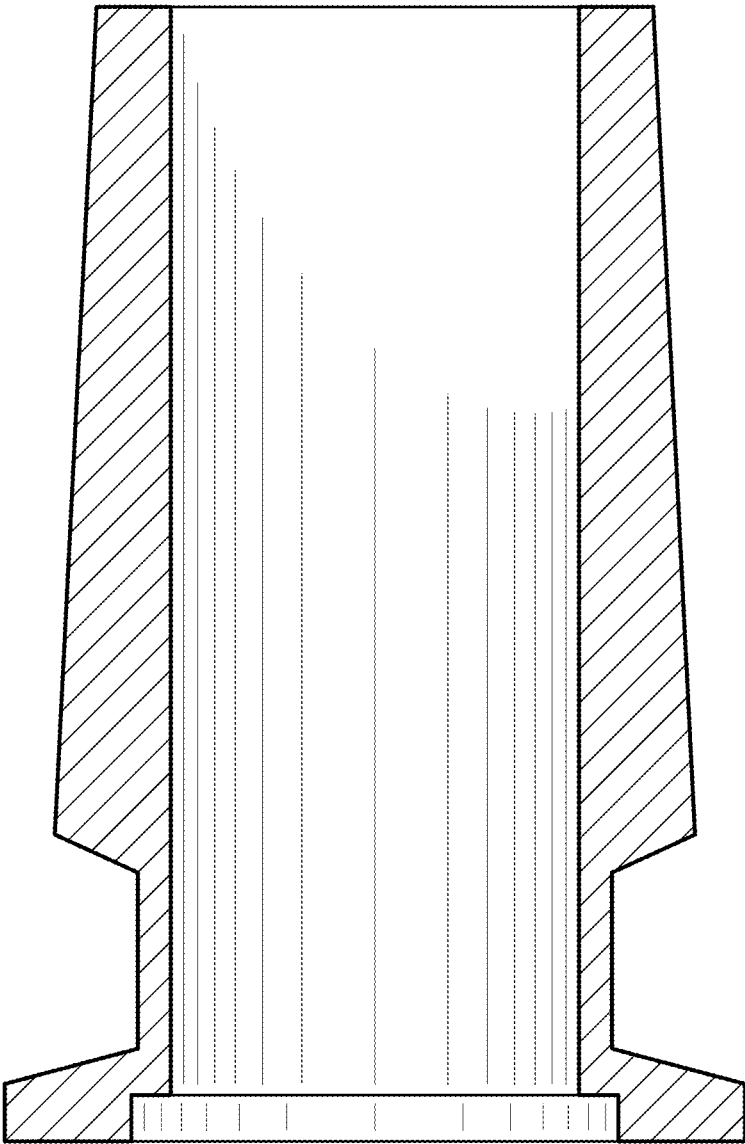


FIG. 7