



US00D882036S

(12) **United States Design Patent**
Kremerman

(10) **Patent No.:** **US D882,036 S**

(45) **Date of Patent:** **** Apr. 21, 2020**

- (54) **VACUUM DISTILLATION HOSE**
- (71) Applicant: **Elliot Kremerman**, Scotts Valley, CA (US)
- (72) Inventor: **Elliot Kremerman**, Scotts Valley, CA (US)
- (**) Term: **15 Years**

- D676,941 S * 2/2013 Kluss D23/262
 - D690,800 S * 10/2013 Ren D23/233
 - D712,015 S * 8/2014 Yu D23/263
 - D721,425 S * 1/2015 Orimland D23/266
 - D729,357 S * 5/2015 Ball E03C 1/20
D23/263
 - D799,638 S * 10/2017 Janton D23/231
 - D870,897 S * 12/2019 Katzberg D24/187
- (Continued)

- (21) Appl. No.: **29/654,585**
- (22) Filed: **Jun. 26, 2018**
- (51) **LOC (12) Cl.** **23-01**
- (52) **U.S. Cl.**
USPC **D23/207**
- (58) **Field of Classification Search**
USPC D23/200, 206, 207, 209, 260, 262, 266,
D23/366; D15/79, 81; D7/306;
D14/140.4, 188, 496; D24/108, 110,
D24/110.5, 127, 129, 222, 224
CPC B65D 47/06; A61M 15/086; A61M 15/00;
A61M 11/001; A61M 15/009
See application file for complete search history.

- (56) **References Cited**
U.S. PATENT DOCUMENTS
- 3,020,215 A * 2/1962 Weber B01D 1/0017
202/197
- 3,674,985 A * 7/1972 Ragault H05B 3/78
219/523
- D296,928 S * 7/1988 Lee D11/146
- D349,160 S * 7/1994 Pellegrino D24/158
- D418,600 S * 1/2000 Haerle D24/110
- 6,019,753 A * 2/2000 Pagan A61M 16/04
604/523
- 6,024,730 A * 2/2000 Pagan A61M 25/0054
604/264
- D487,306 S * 3/2004 Sasano D23/266
- D598,985 S * 8/2009 Smith D23/259
- D651,304 S * 12/2011 Edwards D24/110.1

OTHER PUBLICATIONS

Precision 24/40 105 degree Bent Distillation Adapter [Feb. 19, 2020] found online [Feb. 19, 2020]—<https://www.amazon.com/Precision-degree-Bent-Distillation-Adapter/dp/B015WSL42M>.*

(Continued)

Primary Examiner — Brandon M Rosati
Assistant Examiner — John A Voytek
(74) *Attorney, Agent, or Firm* — Michael J. Feigin, Esq.;
Feigin and Fridman LLC

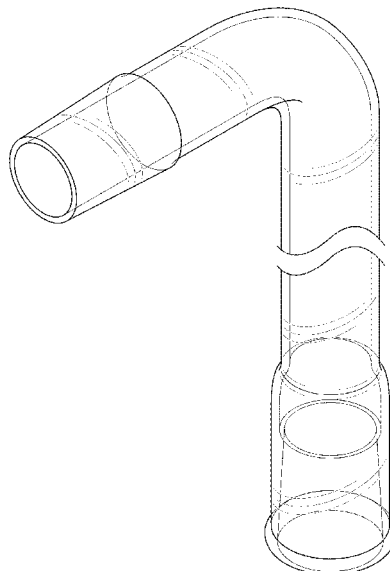
(57) **CLAIM**

The ornamental design for a end cap adapter for a vacuum distillation hose, as shown and described.

DESCRIPTION

FIG. 1 shows a top and side perspective view of a vacuum distillation hose.
FIG. 2 shows a bottom and reverse side perspective view thereof.
FIG. 3 shows a side view, the reverse side being a mirror image thereof.
FIG. 4 shows a front view thereof.
FIG. 5 shows a rear view thereof.
FIG. 6 shows a top plan view thereof.
FIG. 7 shows a bottom plan view thereof; and,
FIG. 8 shows a cutaway view of the front along section line 8-8 of FIG. 6.

1 Claim, 6 Drawing Sheets



(56)

References Cited

U.S. PATENT DOCUMENTS

2004/0154623 A1* 8/2004 Schaeffer A61M 16/0429
128/207.14
2007/0012317 A1* 1/2007 Flagler A61M 16/0465
128/207.14
2008/0149108 A1* 6/2008 Neame A61M 16/08
128/207.14
2008/0216839 A1* 9/2008 Rutter A61M 16/0465
128/207.14
2019/0194967 A1* 6/2019 Arriaga E04H 4/1272

OTHER PUBLICATIONS

Laboy HMA018301 Glass Distillation Adapter 105 Degree Bent with 24/40 Outer and Inner Joint [Feb. 19, 2020] found online [Feb. 19, 2020]—<https://www.amazon.com/Laboy-HMA018301-Distillation-Adapter-Degree/dp/B00QQDIRPU>.*

* cited by examiner

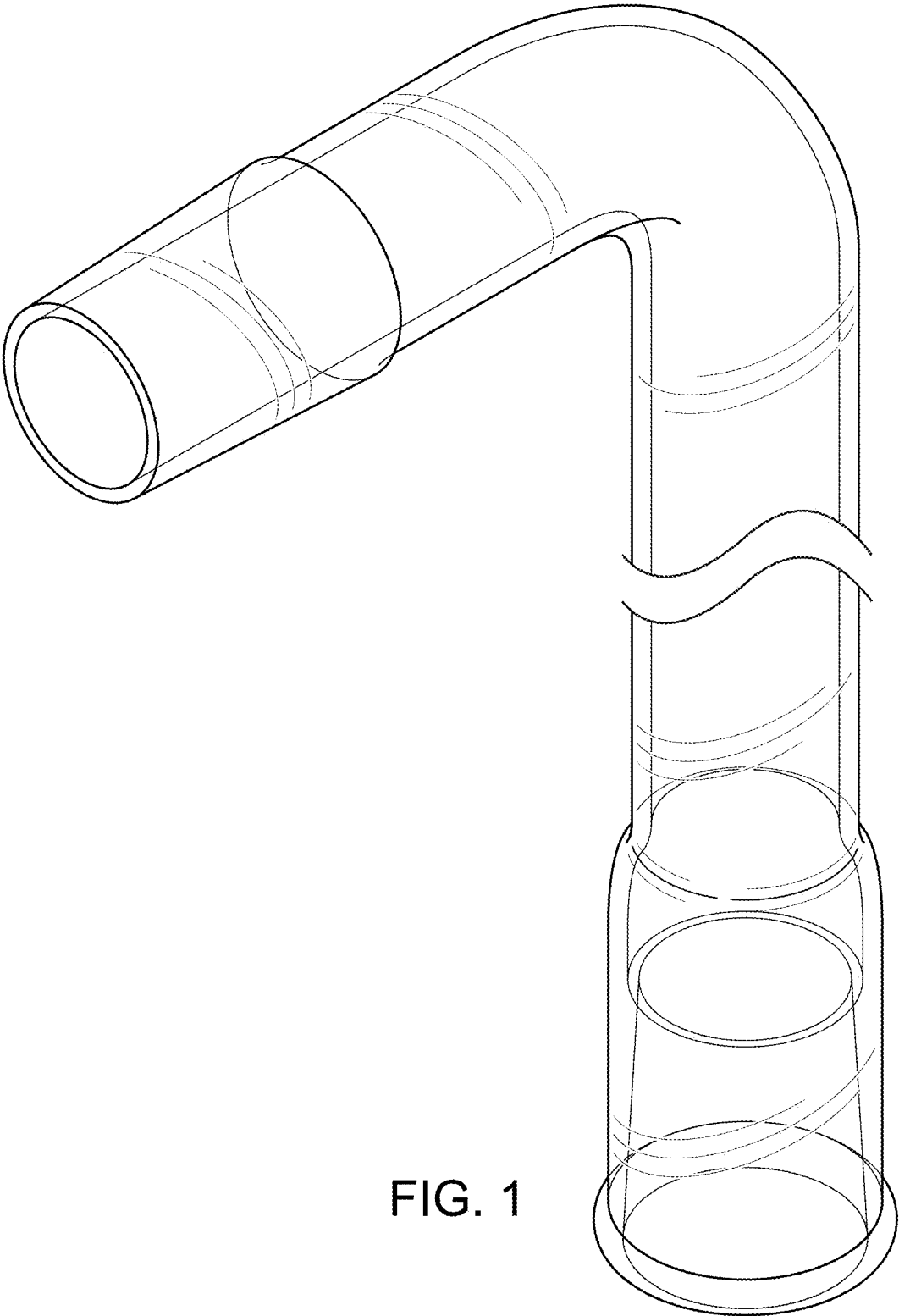


FIG. 1

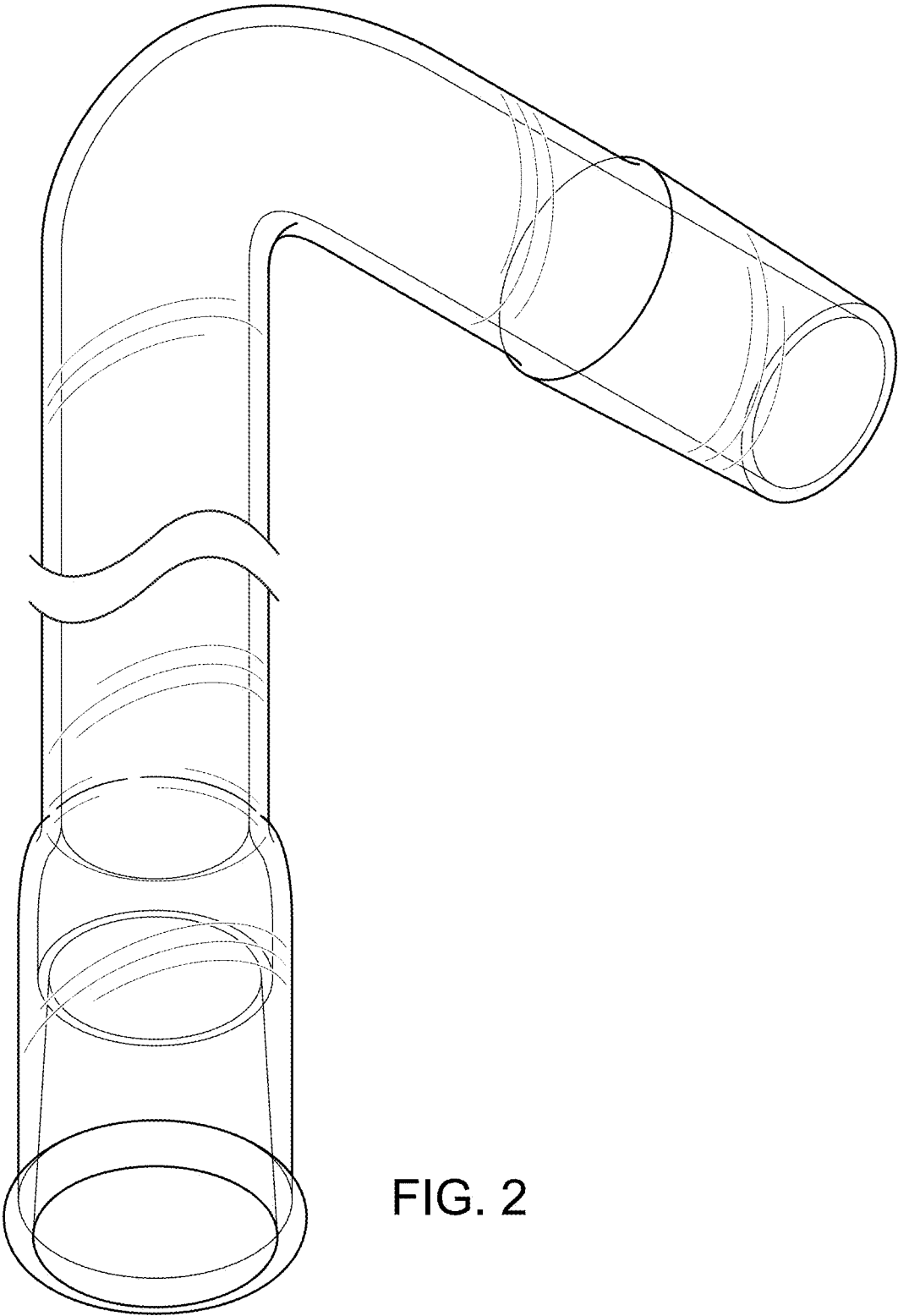


FIG. 2

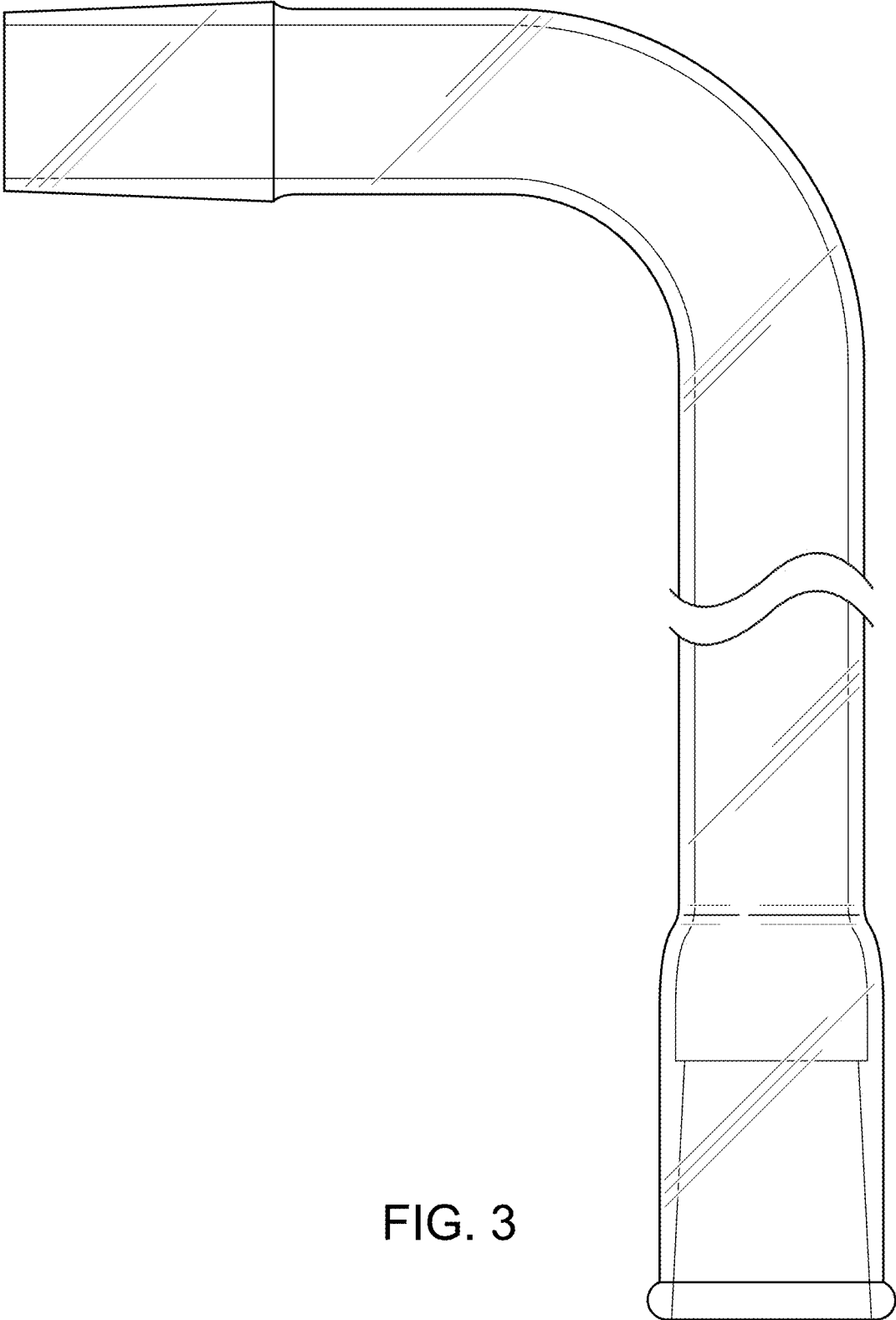


FIG. 3

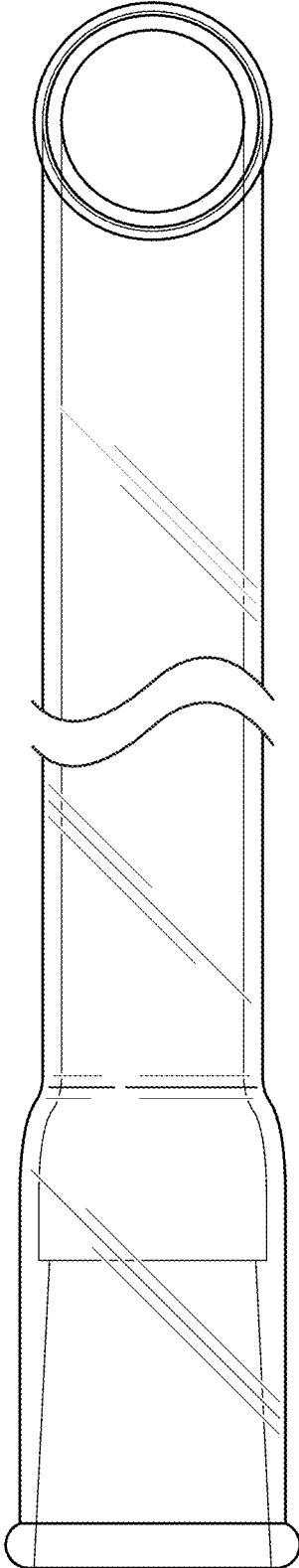


FIG. 4

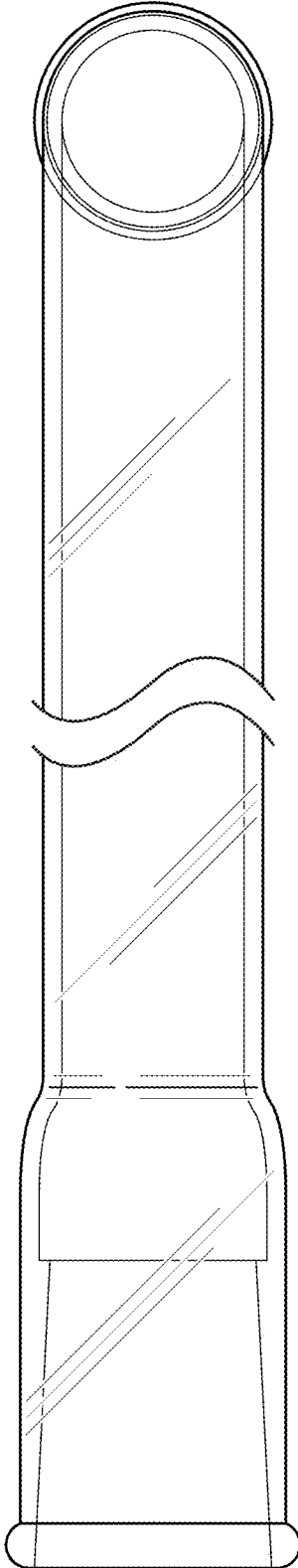


FIG. 5

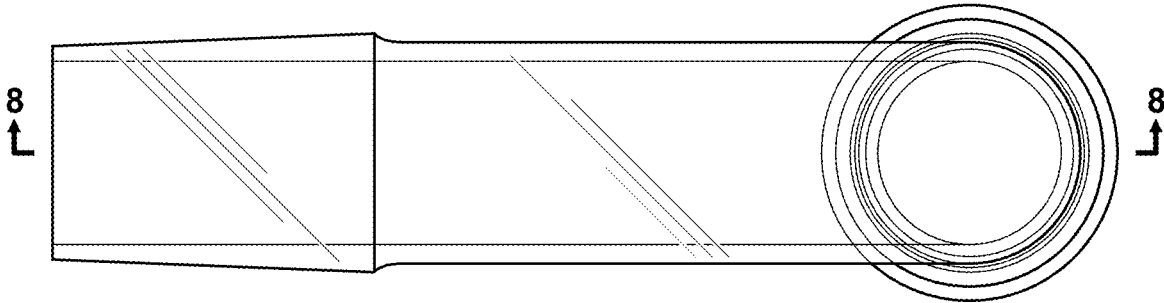


FIG. 6

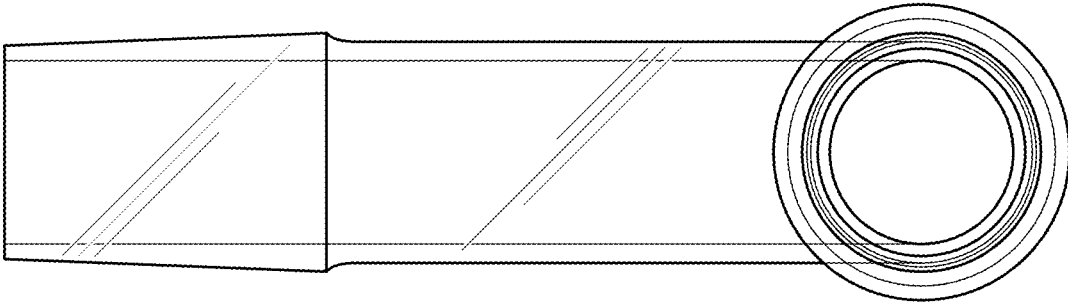


FIG. 7

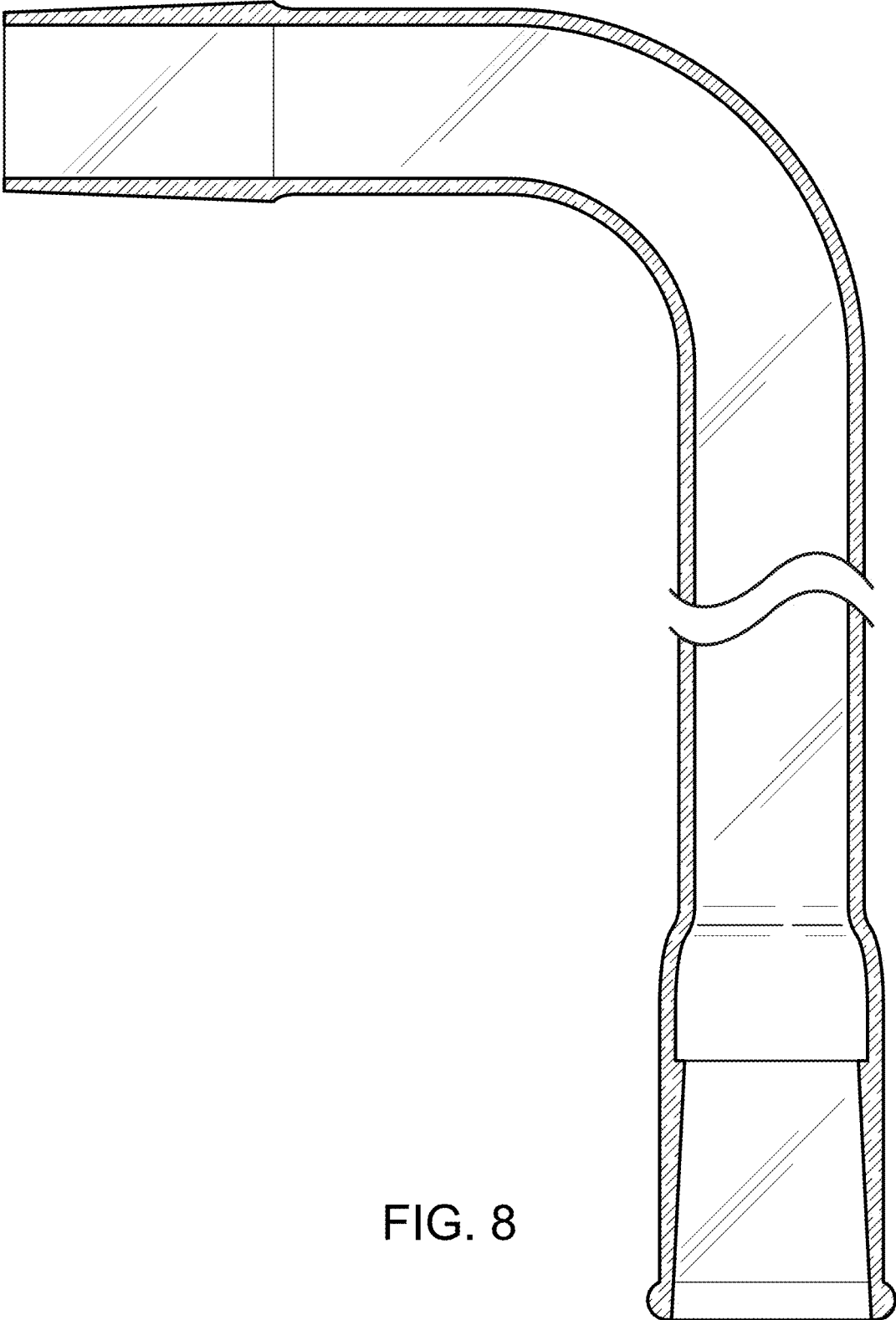


FIG. 8