



(12) **United States Design Patent**
Kremerman

(10) **Patent No.:** **US D881,334 S**
(45) **Date of Patent:** **** Apr. 14, 2020**

(54) **LAMINAR FLOW DISTRIBUTION ADAPTER**

(71) Applicant: **Elliot Kremerman**, Scotts Valley, CA
(US)

(72) Inventor: **Elliot Kremerman**, Scotts Valley, CA
(US)

(**) Term: **15 Years**

(21) Appl. No.: **29/657,265**

(22) Filed: **Jul. 20, 2018**

(51) **LOC (12) Cl.** **23-01**

(52) **U.S. Cl.**
USPC **D23/207**

(58) **Field of Classification Search**

USPC D23/200, 206, 207, 209, 260, 262, 266,
D23/366; D15/79, 81; D7/306;
D14/140.4, 188, 496; D24/108, 110,
D24/110.5, 127, 129, 222, 224
CPC B65D 47/06; A61M 15/086; A61M 15/00;
A61M 11/001; A61M 15/009
See application file for complete search history.

D875,880 S * 2/2020 Kremerman D23/207
D875,881 S * 2/2020 Kremerman D23/207
2008/0276998 A1* 11/2008 Boyher E03C 1/023
137/561 A
2018/0326322 A1* 11/2018 Kremerman B01D 3/02

OTHER PUBLICATIONS

Summit Research #24 Laminar Path MONOCOW [Feb. 19, 2020]
found online [Feb. 19, 2020]—<https://summit-research.tech/product/24-laminar-path/>.*

* cited by examiner

Primary Examiner — Brandon M Rosati
Assistant Examiner — John A Voytek
(74) *Attorney, Agent, or Firm* — Michael J. Feigin, Esq.;
Feigin and Fridman LLC

(57) **CLAIM**

The ornamental design for a laminar flow distribution adapter, as shown and described.

(56) **References Cited**

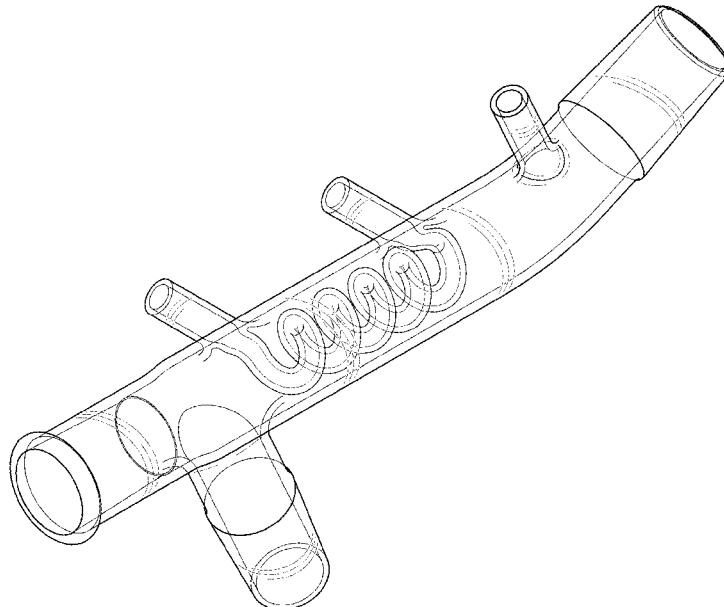
U.S. PATENT DOCUMENTS

3,271,935 A * 9/1966 Smith B01D 5/006
55/434.4
D705,391 S * 5/2014 Okazaki D23/207
D747,361 S * 1/2016 Franklin D15/5
D802,084 S * 11/2017 Kremerman D23/207
D805,599 S * 12/2017 Kremerman D23/207
D805,600 S * 12/2017 Kremerman D23/207
10,159,907 B2* 12/2018 Kremerman B01D 3/02
D841,119 S * 2/2019 Huang D23/207
D849,184 S * 5/2019 Kremerman D23/207
D849,187 S * 5/2019 Kremerman D23/207
D850,576 S * 6/2019 Kremerman D23/207
D855,754 S * 8/2019 Maibach, Jr. D23/207

DESCRIPTION

FIG. 1 shows a top and side perspective view of a laminar flow distribution adapter.
FIG. 2 shows a bottom and reverse side perspective view thereof.
FIG. 3 shows a first side view thereof.
FIG. 4 shows a second side view thereof.
FIG. 5 shows a third side view thereof.
FIG. 6 shows a fourth side view thereof.
FIG. 7 shows a front view thereof.
FIG. 8 shows a rear view thereof; and,
FIG. 9 shows a cutaway view of the side.

1 Claim, 7 Drawing Sheets



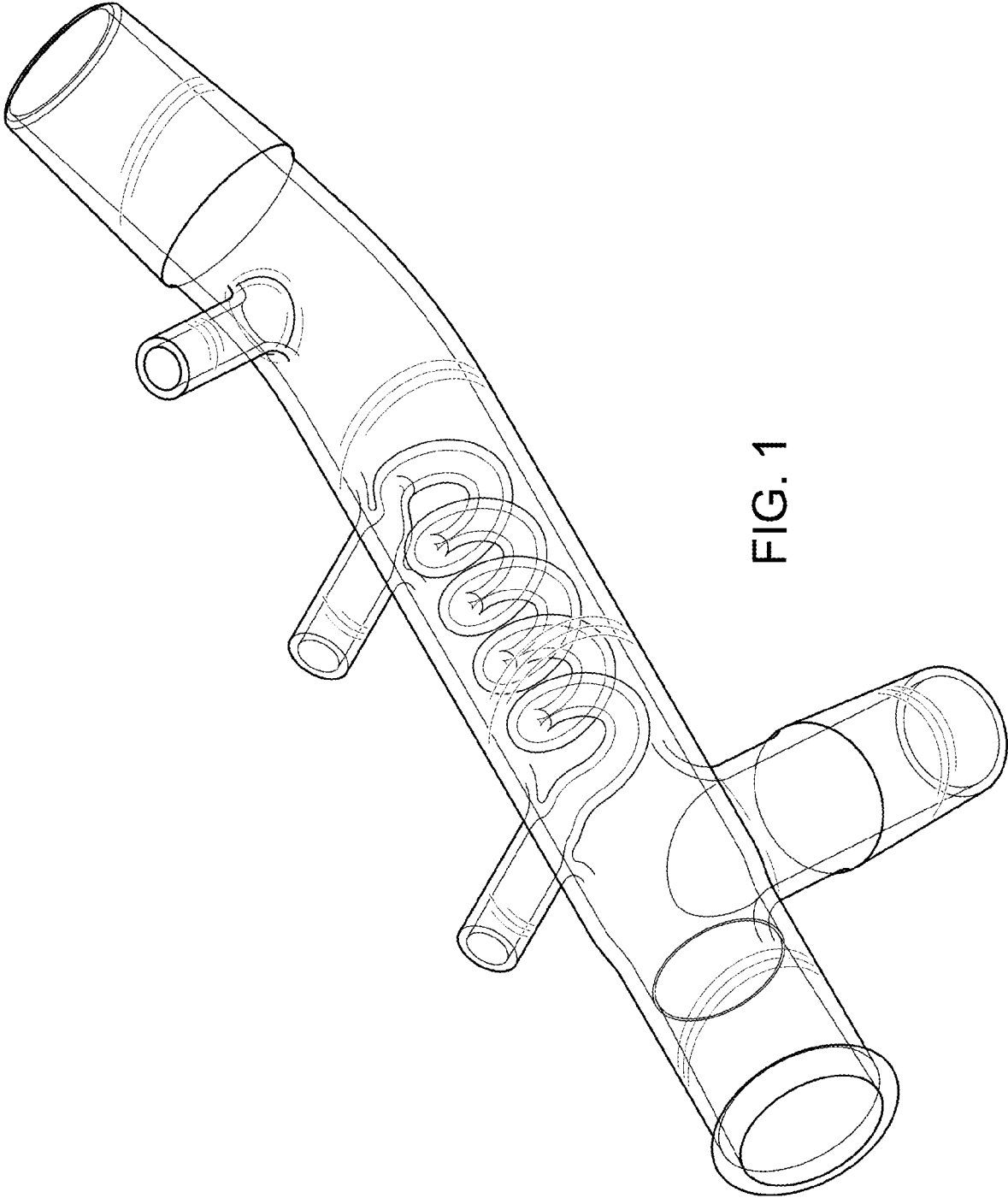


FIG. 1

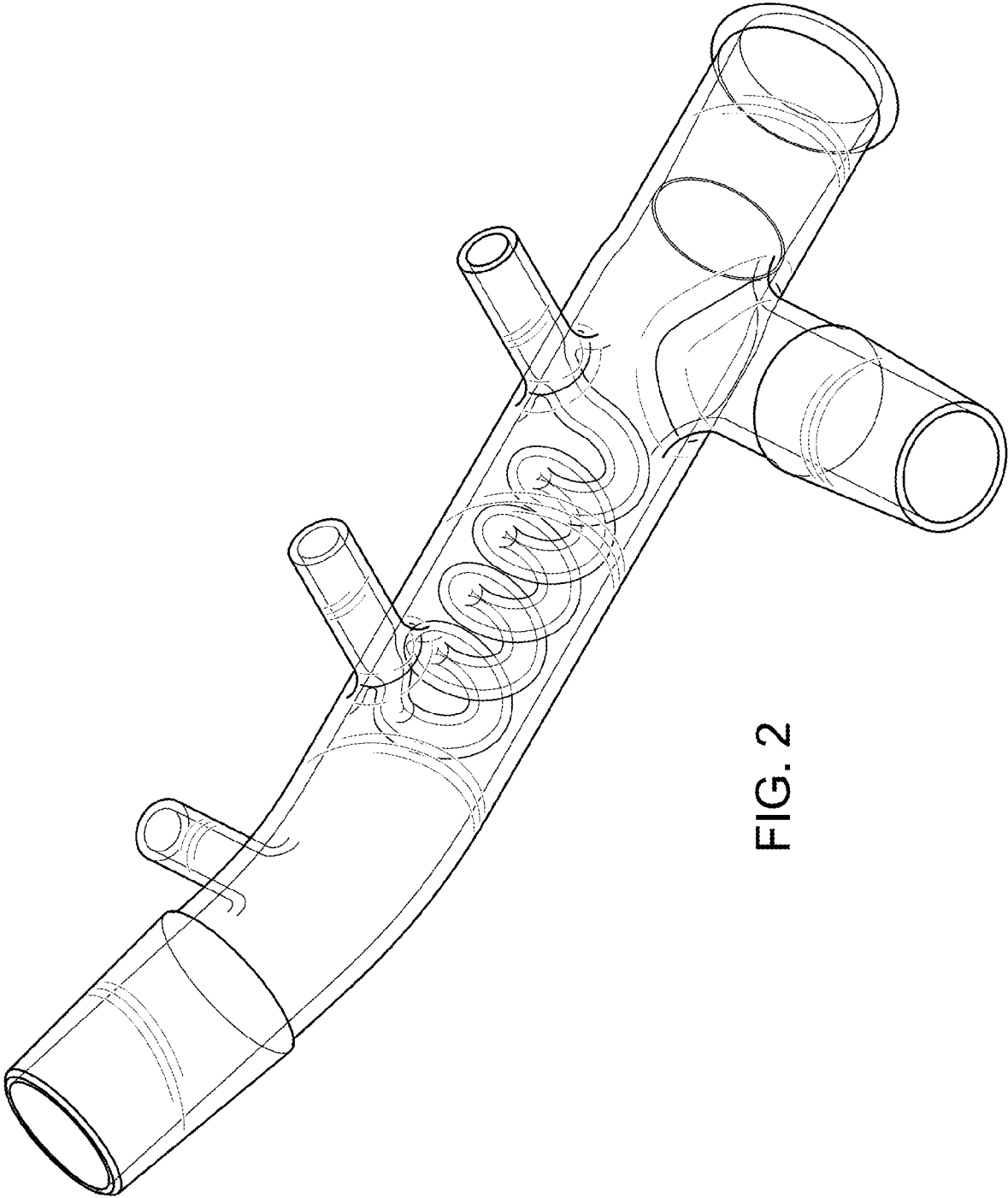


FIG. 2

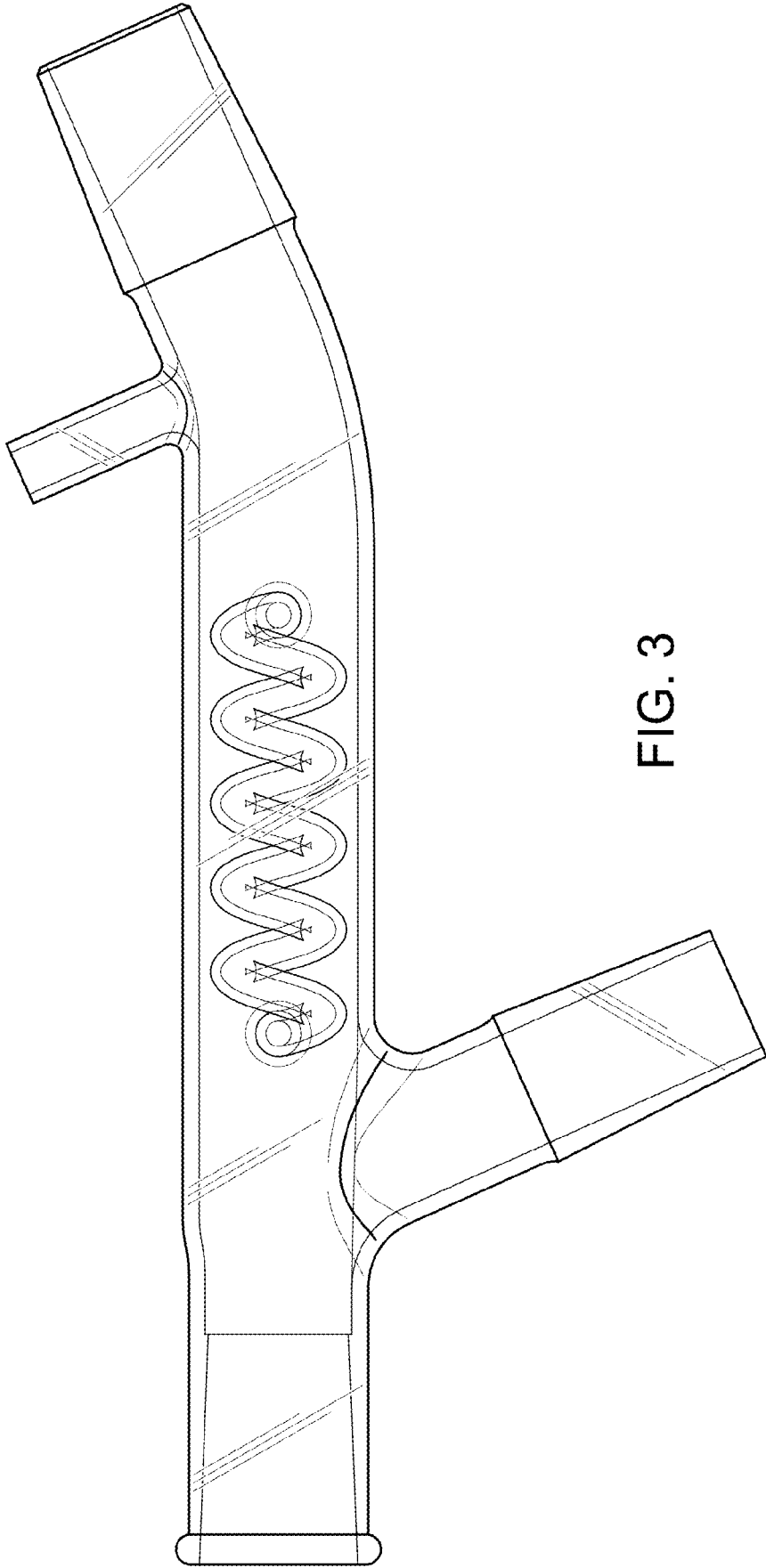


FIG. 3

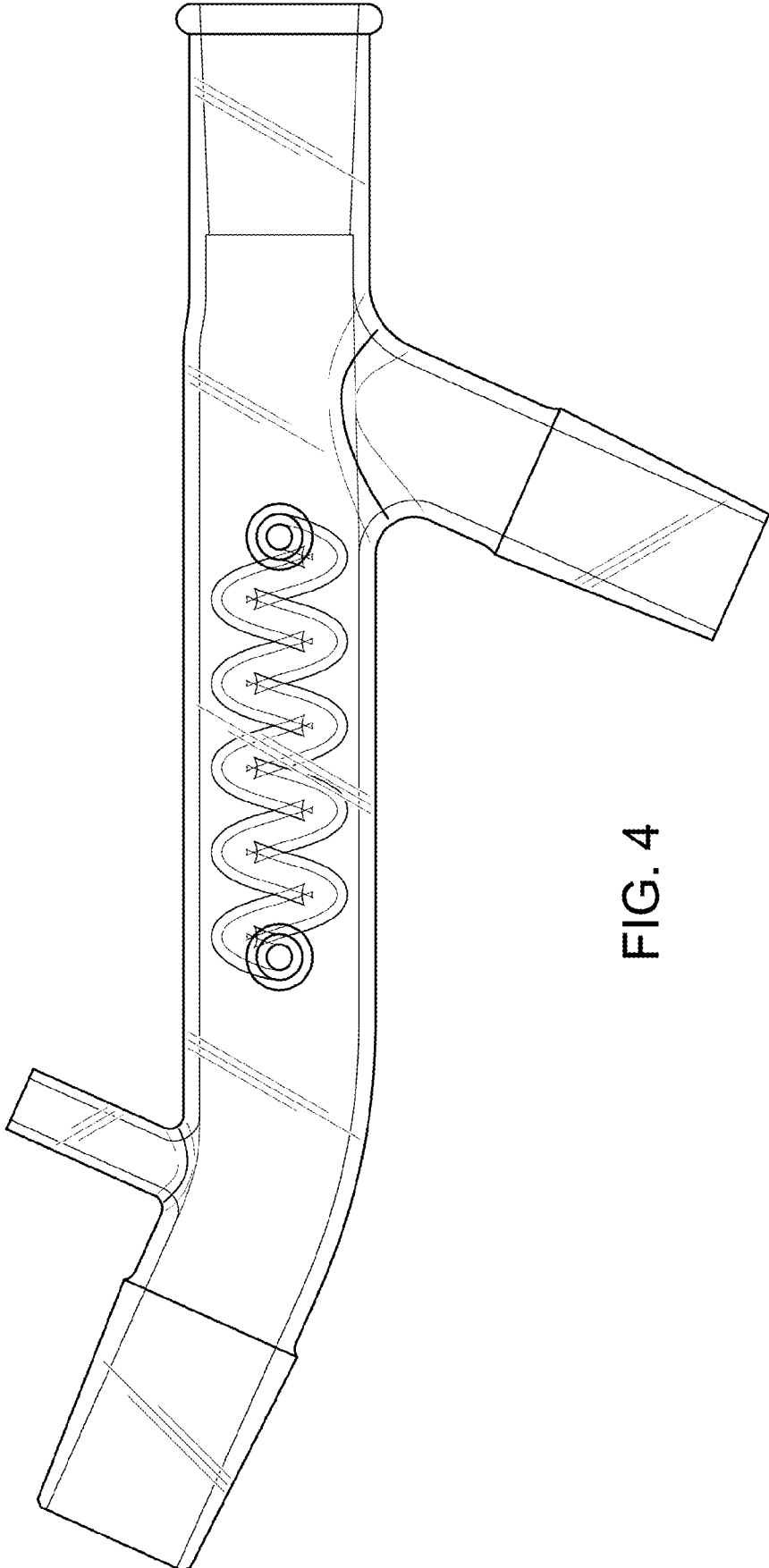


FIG. 4

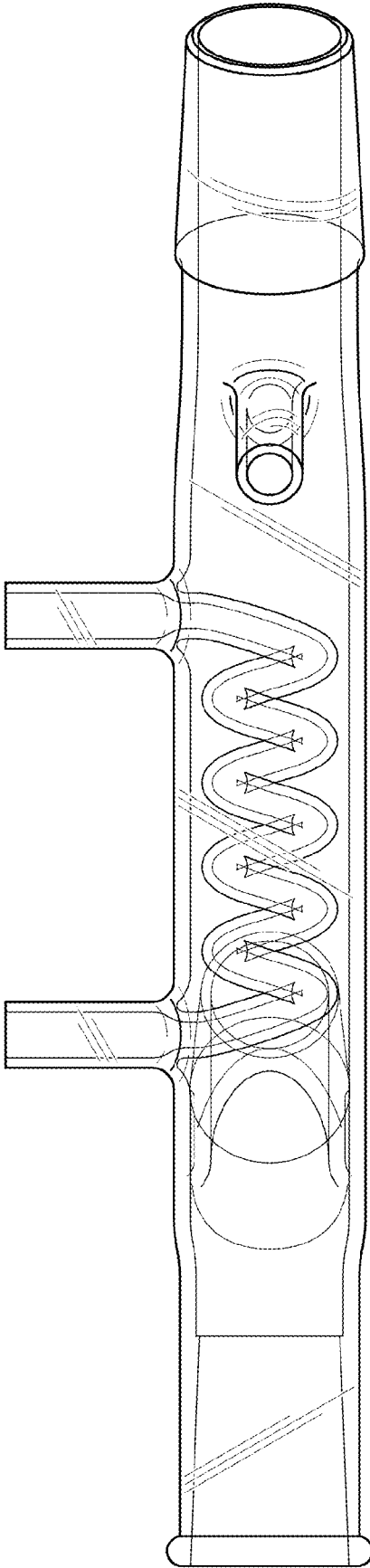


FIG. 5

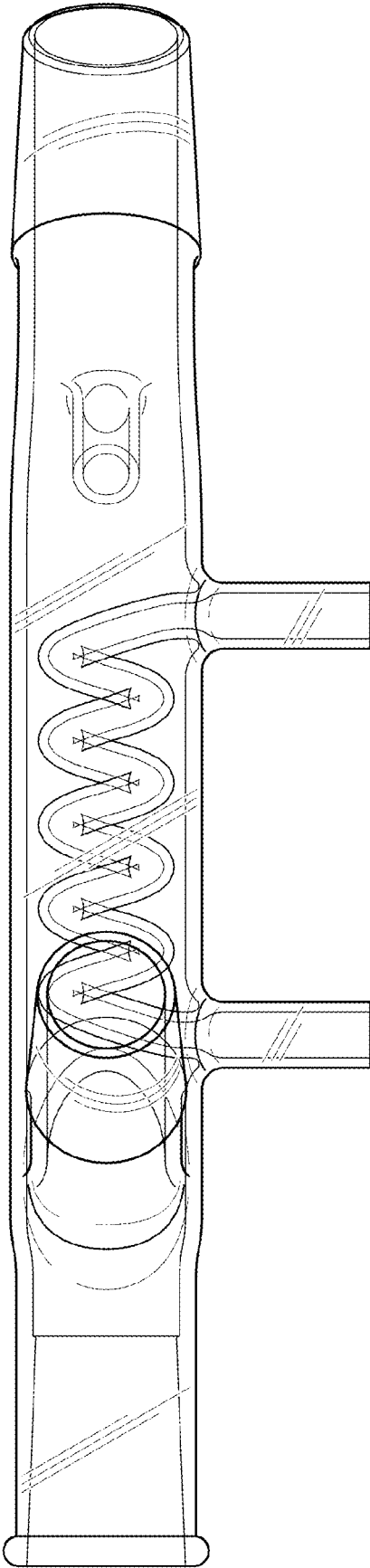


FIG. 6

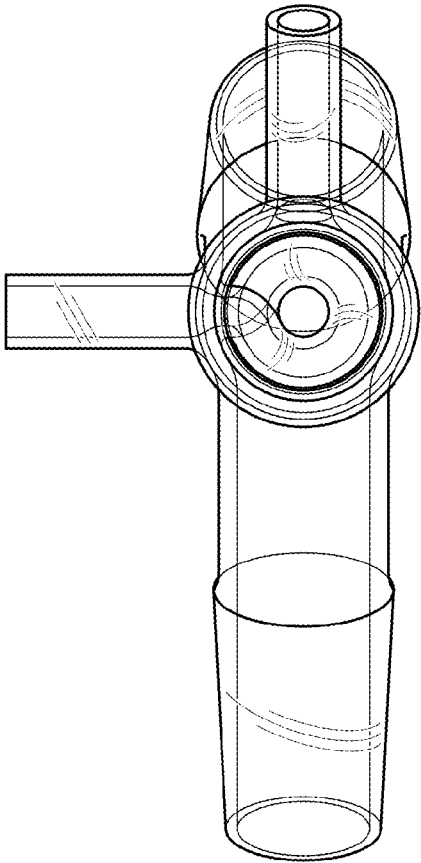


FIG. 7

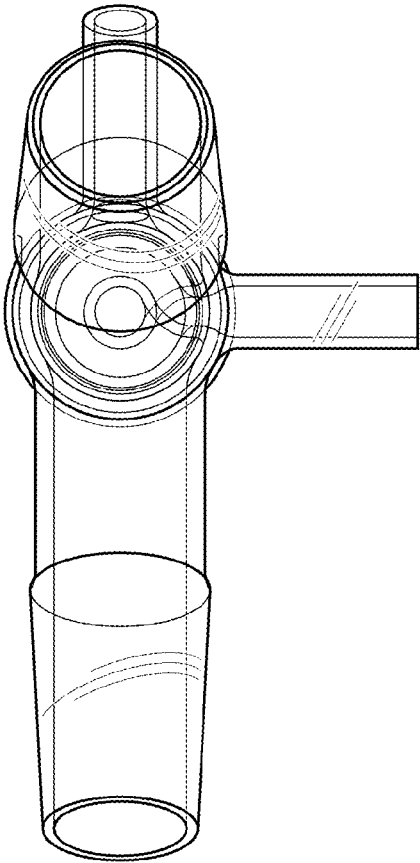


FIG. 8

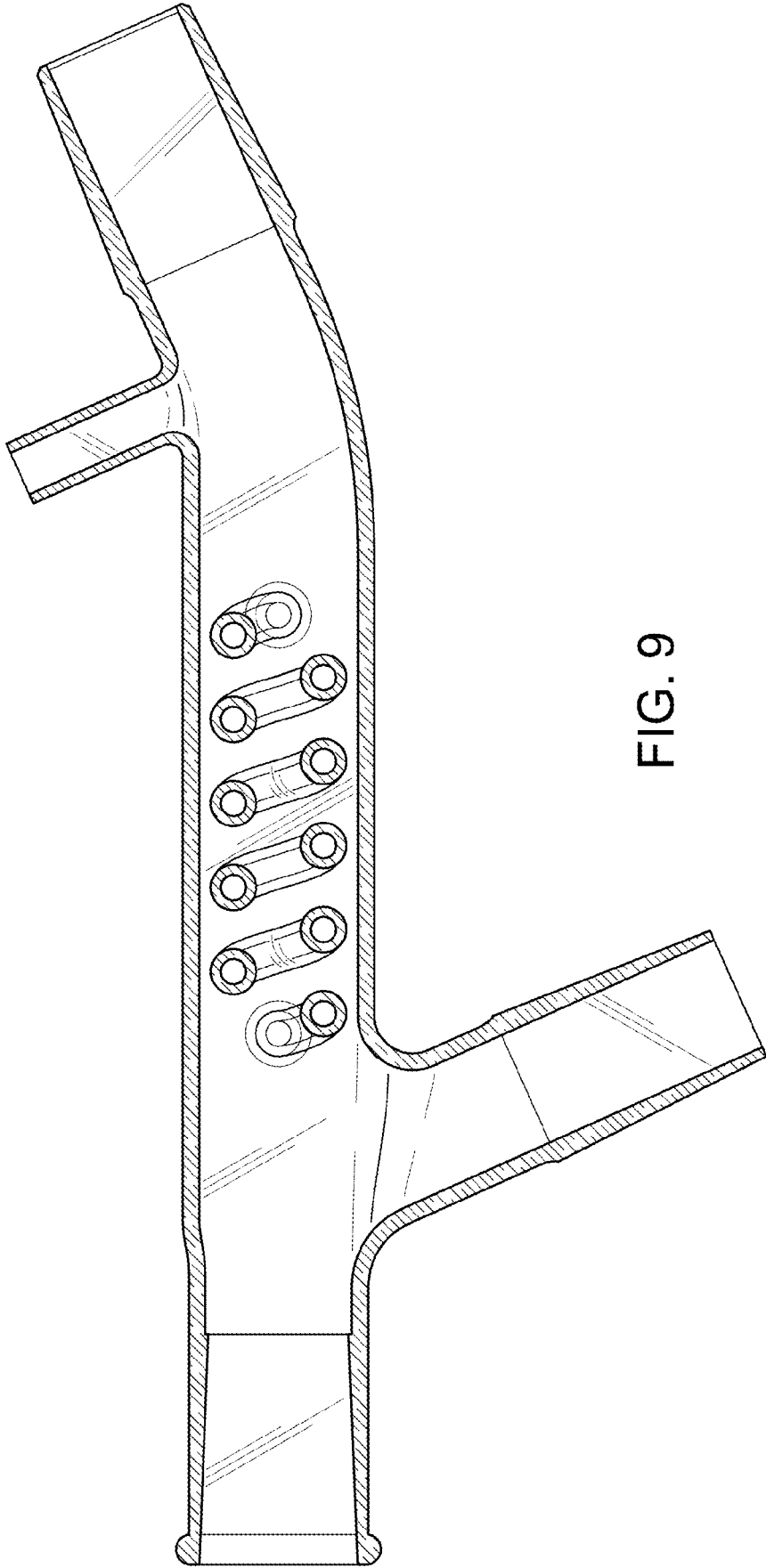


FIG. 9