



US00D970987S

(12) **United States Design Patent**
Zhang

(10) **Patent No.:** **US D970,987 S**

(45) **Date of Patent:** **** Nov. 29, 2022**

- (54) **FUNNEL**
- (71) Applicant: **Tinglong Zhang**, Zunyi (CN)
- (72) Inventor: **Tinglong Zhang**, Zunyi (CN)
- (**) Term: **15 Years**
- (21) Appl. No.: **29/806,117**
- (22) Filed: **Sep. 1, 2021**
- (51) **LOC (13) Cl.** **07-99**
- (52) **U.S. Cl.**
USPC **D7/700**
- (58) **Field of Classification Search**
USPC D7/368, 387, 397, 669, 700; D15/150,
D15/151; D23/200
CPC .. A47J 27/60; A47J 31/06; A47J 31/44; A47J
31/446; A47J 42/50; A47J 43/28; B67C
11/00; B67C 11/02
See application file for complete search history.

- D662,654 S * 6/2012 Trudnowski A47J 43/28
D7/700
- D728,326 S * 5/2015 Wirth F28G 15/00
D7/700
- D728,331 S 5/2015 Wirth et al.
(Continued)

FOREIGN PATENT DOCUMENTS

- GB 6024668 S 1/2018
- GB 6038898 S 7/2018

OTHER PUBLICATIONS

Scribner Plastics 6115R Red 45 Degree 14 inch D Funnel, first available Jun. 23, 2010, Amazon, [online], [site visited Aug. 12, 2022]. Available from internet URL: <https://www.amazon.com/Scribner-Plastics-6115R-Degree-Funnel/dp/B004LWS064> (Year: 2010).*

(Continued)

Primary Examiner — Mary Ann Calabrese
Assistant Examiner — Natalya M Rapundalo
(74) *Attorney, Agent, or Firm* — Lawrence G. Fridman, Esq.; Feigin & Fridman, LLC

(56) **References Cited**

U.S. PATENT DOCUMENTS

- 631,099 A * 8/1899 Treibel B67C 11/02
73/294
- 638,728 A * 12/1899 Lloyd B67C 11/02
116/228
- D236,938 S * 9/1975 Brown D7/700
- D374,281 S 10/1996 Markles
- D380,481 S * 7/1997 Pournaghdi D15/150
- D413,236 S * 8/1999 De Montigny D7/700
- D422,674 S 4/2000 Chrisco et al.
- 6,119,739 A * 9/2000 McGee B65B 39/04
141/300
- 6,557,264 B1 * 5/2003 Maeda A47J 43/28
294/8
- D499,180 S * 11/2004 Best D7/700
- D541,116 S * 4/2007 Upham D7/700
- D542,610 S 5/2007 Silverman et al.
- 7,721,774 B2 * 5/2010 Cook B67C 11/02
D7/700
- D632,144 S * 2/2011 Weisenbach D7/700

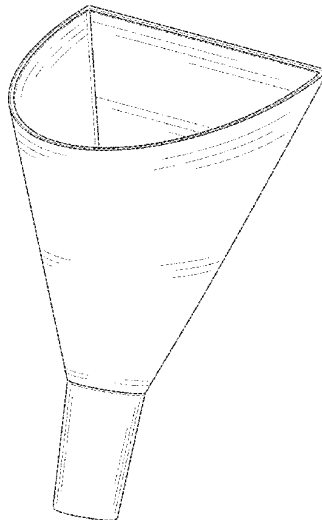
(57) **CLAIM**

The ornamental design for a funnel, as shown and described.

DESCRIPTION

FIG. 1 is a front perspective view of a funnel according to my new design;
FIG. 2 is a bottom perspective view thereof;
FIG. 3 is a front elevational view thereof;
FIG. 4 is a rear elevational view thereof;
FIG. 5 is a left side view thereof;
FIG. 6 is a right side view thereof;
FIG. 7 is a top plan view thereof; and,
FIG. 8 is its bottom view thereof.

1 Claim, 8 Drawing Sheets



(56)

References Cited

U.S. PATENT DOCUMENTS

D738,169 S 9/2015 Weisenbach
D832,664 S * 11/2018 Degerland B65B 39/04
D7/700
D871,172 S 12/2019 Liao
D883,045 S * 5/2020 Fudge B67C 11/02
D7/700
10,890,354 B1 * 1/2021 Kane F28G 15/00

OTHER PUBLICATIONS

ACE Glass 7250-01 Powder Filtering Funnel, first available Jun. 14, 2017, Amazon, [online], [site visited Aug. 12, 2022], Available from internet URL: <https://www.amazon.com/ACE-Glass-7250-01-Filtering-Diameter/dp/B0731RY91Y> (Year: 2017).*

Design No. 304557509, Aug. 26, 2017—China National Intellectual Property Administration (CNIPA) Publication Date—Mar. 30, 2018 Owner—Beijing Synthware Glass Instrument Co Ltd, Designer—Liu Kaiming WIPO, available at <https://www3.wipo.int/designdb/en/index.jsp> (Year: 2018).*

Design No. 307064528, Aug. 31, 2021—China National Intellectual Property Administration (CNIPA) Publication Date—Jan. 14, 2022 Owner—Zhang Tinglong WIPO, available at <https://www3.wipo.int/designdb/en/index.jsp> (Year: 2022).*

Petromax Funnel, Deutsche Optik, [online], [site visited Aug. 12, 2022], Available from internet URL: <https://deutscheoptik.com/petromax-funnel.html> (Year: 2022).*

* cited by examiner

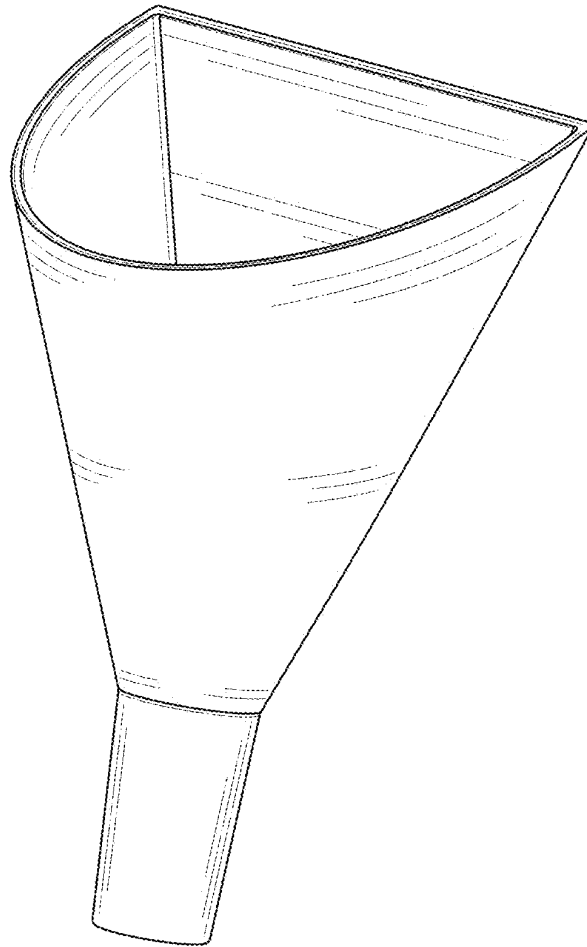


FIG. 1

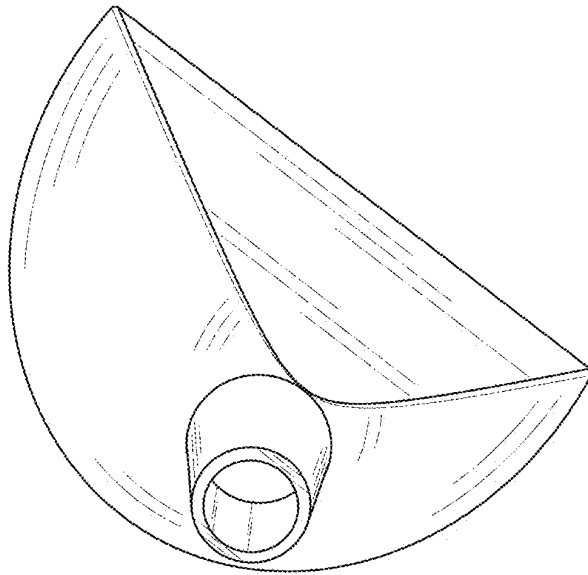


FIG.2

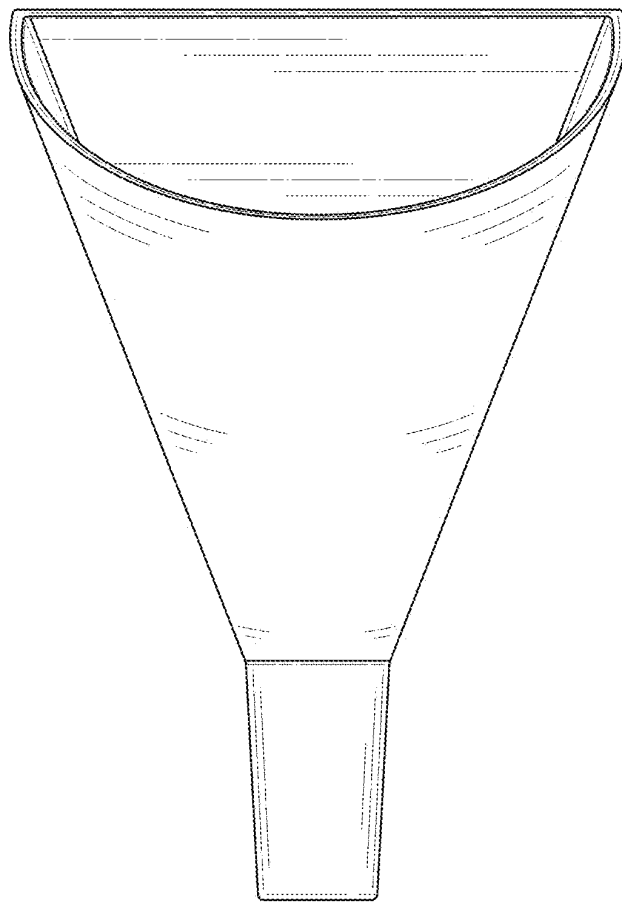


FIG. 3

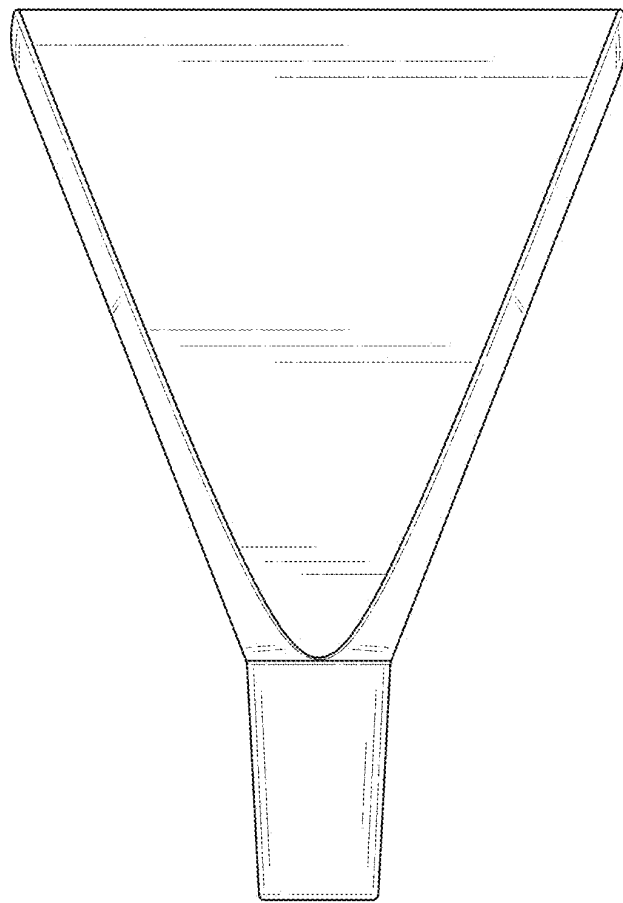


FIG. 4

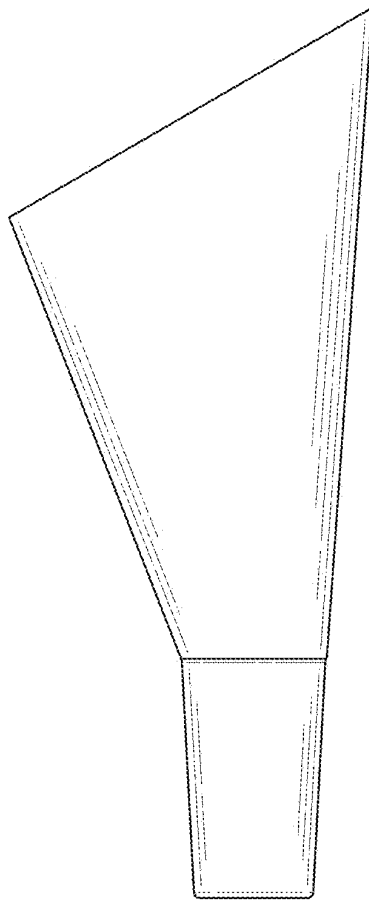


FIG.5

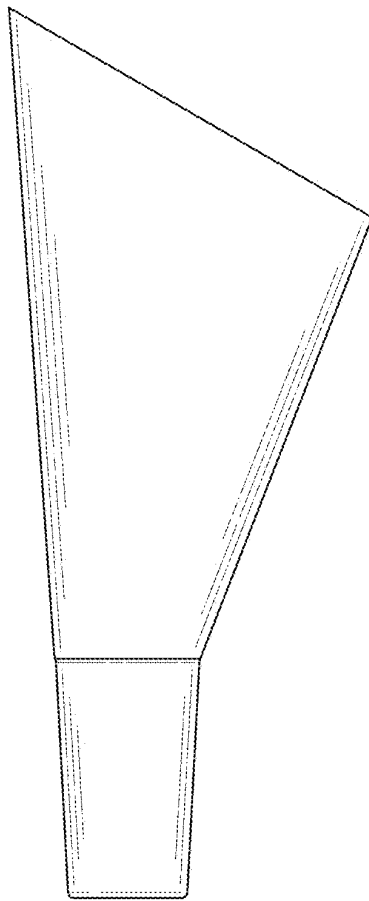


FIG.6

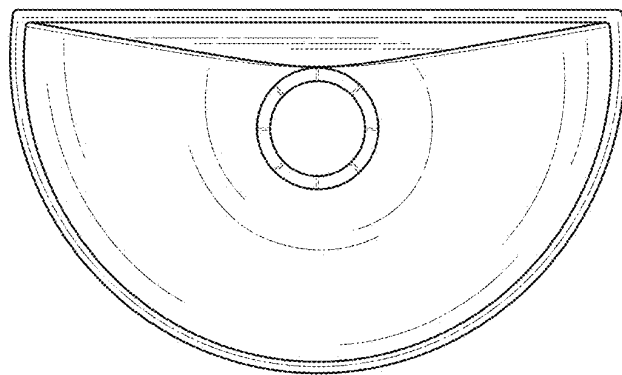


FIG.7

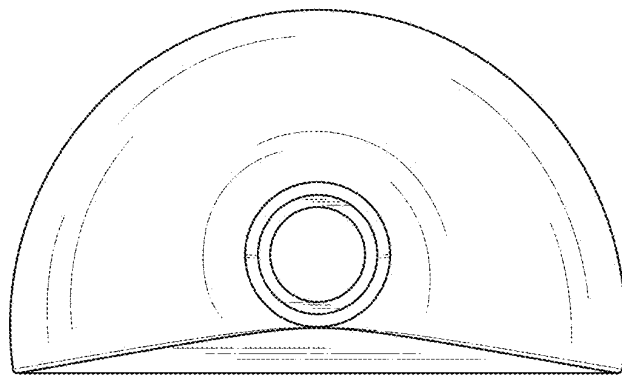


FIG.8