



US00D986004S

(12) **United States Design Patent**  
**Skvorecz**

(10) **Patent No.:** **US D986,004 S**

(45) **Date of Patent:** **\*\* May 16, 2023**

(54) **FINGER RELIEF FOR WIRE STAND OR ROAST RACK**

D286,129 S \* 10/1986 Bowen ..... D7/402  
4,848,217 A \* 7/1989 Koziol ..... A47J 37/0694  
99/426  
4,852,760 A \* 8/1989 Sarnoff ..... A47J 36/022  
220/573.1

(71) Applicant: **Robert J. Skvorecz**, Kinnelon, NJ (US)

(Continued)

(72) Inventor: **Robert J. Skvorecz**, Kinnelon, NJ (US)

FOREIGN PATENT DOCUMENTS

(\*\*) Term: **15 Years**

CN 305040331 \* 2/2019  
CN 305320027 \* 8/2019

(21) Appl. No.: **29/796,530**

(Continued)

(22) Filed: **Jun. 24, 2021**

OTHER PUBLICATIONS

(51) **LOC (14) Cl.** ..... **07-02**

(52) **U.S. Cl.**

USPC ..... **D7/409**; D7/402

(58) **Field of Classification Search**

USPC ..... D7/323, 329-332, 337, 339, 346-347,  
D7/350.1-350.4, 354-363, 391, 393, 395,  
D7/402, 409, 538, 542, 587, 667, 601,  
D7/504; D6/462-463  
CPC ..... A47J 37/0786; A47J 37/0694; A47J  
37/1295; A47L 15/505; F23G 5/42; F23H  
13/00; F24B 1/193

Grisun Universal Grill Rack, Oct. 19, 2019, <https://www.amazon.com/Grisun-Universal-Charcoal-Traeger-Accessories/dp/B07YY2LPD1> (Year: 2019).\*

(Continued)

See application file for complete search history.

*Primary Examiner* — Christian P. McLean

*Assistant Examiner* — Nader Abadir

(74) *Attorney, Agent, or Firm* — Michael J. Feigin, Esq.;  
Feigin and Fridman LLC

(57)

**CLAIM**

The ornamental design for a finger relief for wire stand or roast rack, as shown and described.

(56) **References Cited**

**DESCRIPTION**

U.S. PATENT DOCUMENTS

2,222,089 A \* 11/1940 Saffell ..... A47J 37/0694  
99/426  
3,084,617 A \* 4/1963 Jamentz ..... A47J 37/0694  
99/449  
D251,107 S \* 2/1979 Ottier ..... D7/409  
D270,608 S \* 9/1983 Spanek ..... D7/409  
D274,880 S \* 7/1984 Bentson ..... D7/630  
D278,306 S \* 4/1985 McIntosh ..... D7/409  
D282,706 S \* 2/1986 DiFede ..... D7/408  
D284,543 S \* 7/1986 Huls ..... D7/409  
4,612,851 A \* 9/1986 McManus ..... A47J 33/00  
126/30  
D286,128 S \* 10/1986 Bowen ..... D7/402

FIG. 1 is a perspective view of finger relief for wire stand or roast rack.

FIG. 2 is a side view thereof the reverse side being a mirror image thereof.

FIG. 3 is a front view thereof.

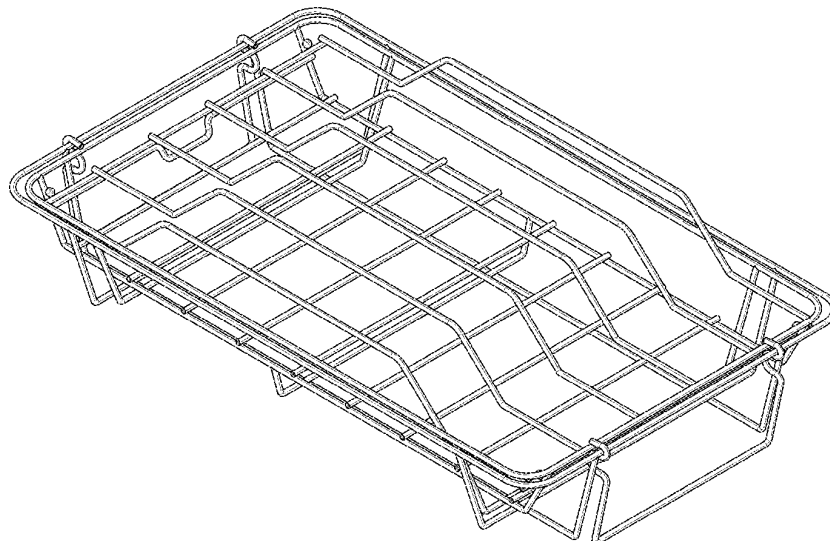
FIG. 4 is a top plan view thereof.

FIG. 5 is bottom plan view thereof.

FIG. 6 is a first cutaway view along section line 6-6 of FIG. 4; and,

FIG. 7 is a second cutaway view along section line 7-7 of FIG. 4.

**1 Claim, 5 Drawing Sheets**



(56)

References Cited

U.S. PATENT DOCUMENTS

4,924,768 A \* 5/1990 Jay ..... A47J 43/18  
99/425  
D308,317 S \* 6/1990 Koziol ..... D7/409  
D311,849 S \* 11/1990 Strand ..... D7/354  
D312,023 S \* 11/1990 Strand ..... D7/678  
D387,949 S \* 12/1997 Bentson ..... 99/426  
6,164,194 A \* 12/2000 Westmoreland ..... A47J 43/18  
99/449  
D699,073 S \* 2/2014 Cheung ..... D7/402  
D807,116 S \* 1/2018 Fariello ..... D7/366  
D852,582 S \* 7/2019 Skvorecz ..... D7/366  
D859,058 S \* 9/2019 Mirchandani ..... D7/354  
D876,160 S \* 2/2020 Deng ..... D7/354  
D909,813 S \* 2/2021 Yasuda ..... D7/354  
D921,431 S \* 6/2021 Krishnan ..... D7/409  
D937,627 S \* 12/2021 Young ..... D7/409  
2006/0130673 A1 \* 6/2006 Kaliveh ..... A47J 37/0694  
99/450  
2007/0137501 A1 \* 6/2007 Manuel ..... F24C 15/16  
99/450  
2010/0314977 A1 \* 12/2010 Mallory ..... A47L 15/504  
312/228.1  
2012/0024169 A1 \* 2/2012 Hsu ..... A47J 37/042  
99/450  
2020/0077842 A1 \* 3/2020 Rose ..... A47J 37/0694

FOREIGN PATENT DOCUMENTS

CN 306575766 \* 6/2021  
GB 8209781001-1000 \* 9/2019

GB 8209781001-2000 \* 9/2019  
GB 6111320 \* 12/2020  
GB 6123393 \* 3/2021  
GB 6123394 \* 3/2021  
JP D1645702 \* 11/2019  
KR 300982261.0000 \* 11/2018

OTHER PUBLICATIONS

Wilton Excelle Elite, Sep. 9, 2003, <https://www.amazon.com/Wilton-Excelle-3-Tier-Cooling-Cookies/dp/B00030CGKY> (Year: 2003).\*  
Homikit 3-Tier Thick Wire Rack Stainless Steel Cooling Tray, Apr. 7, 2021, <https://www.amazon.co.uk/Homikit-Stainless-Dishwasher-Collapsible-Stackable/dp/B091XV2SBT> (Year: 2021).\*  
Duke Grills Omaha Rib Rack for Smoker and Grill, Mar. 8, 2021, <https://www.amazon.com/Duke-Grills-Omaha-Smoker-Grill/dp/B08YCDSDY> (Year: 2021).\*  
Chicago Metallic Professional Roast Pan with Non-Stick Rack, Jul. 20, 2010, <https://www.amazon.com/Chicago-Metallic-Professional-Non-Stick-13-Inch/dp/B003YKGRG4/> (Year: 2010).\*  
HIC Harold Rack, Apr. 8, 2008, <https://www.amazon.com/HIC-Harold-Co-43182-9-25-Inches/dp/B0017K6WDG> (Year: 2008).\*  
Faberware Rack, Dec. 23, 2012, <https://www.amazon.com/Farberware-Nonstick-Bakeware-11-Inch-15-Inch/dp/B00AS2JBC8> (Year: 2012).\*  
Bradshaw Roast Rack, Aug. 17, 2015, <https://www.amazon.com/Good-Cook-Roast-Rack-Adjustable/dp/B000AS1KL0> (Year: 2015).\*  
Norpro Nonstick Roasting Rack, May 3, 2003, <https://www.amazon.com/Norpro-Nonstick-Roasting-Heavy-1-Count/dp/B0000DE7UR> (Year: 2003).\*  
TreeLen Rack, Jan. 8, 2021, <https://www.amazon.com/TreeLen-Roasting-Cooking-Grilling-Non-Stick/dp/B08SJ6XRY1> (Year: 2021).\*

\* cited by examiner

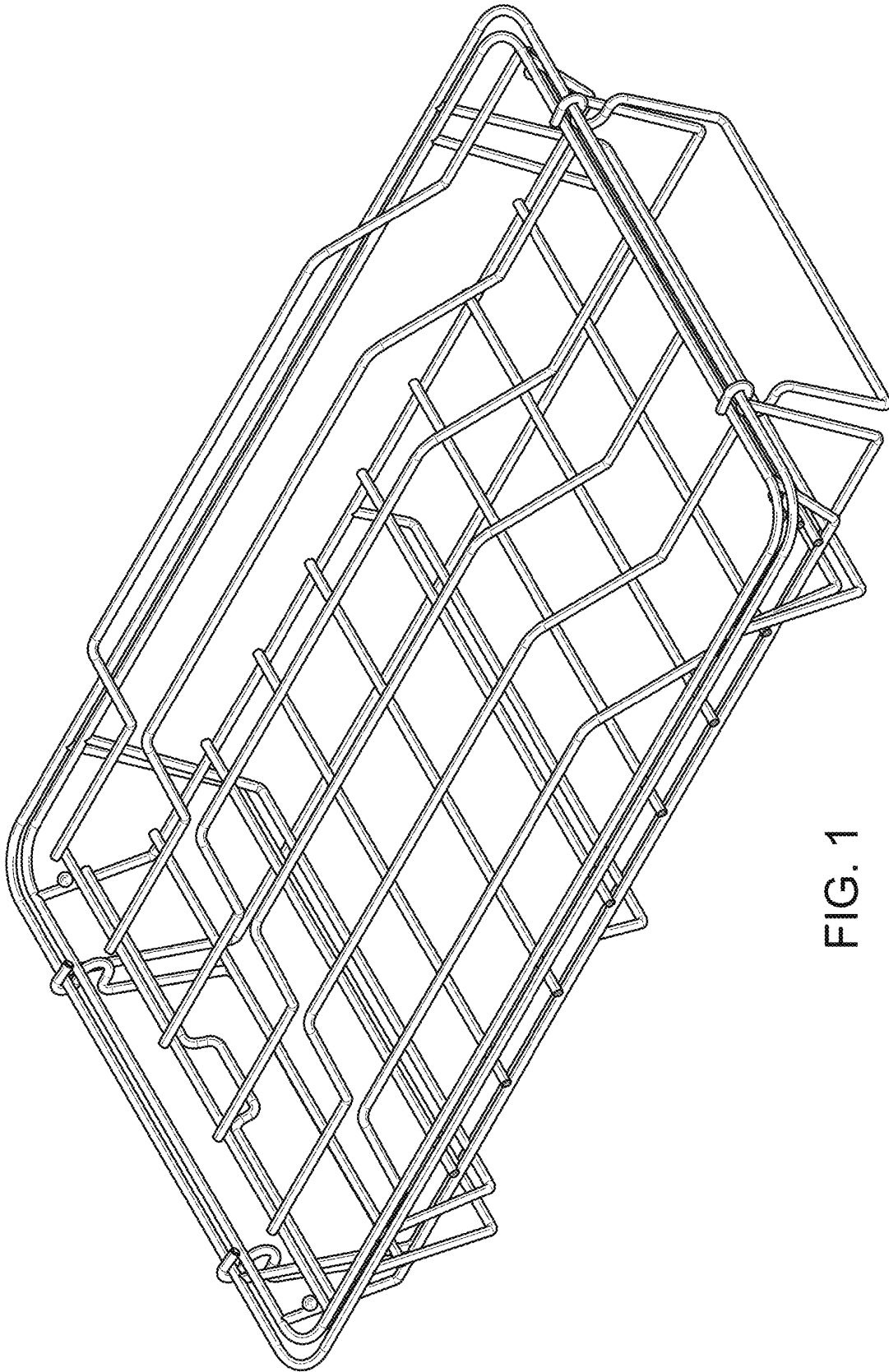


FIG. 1

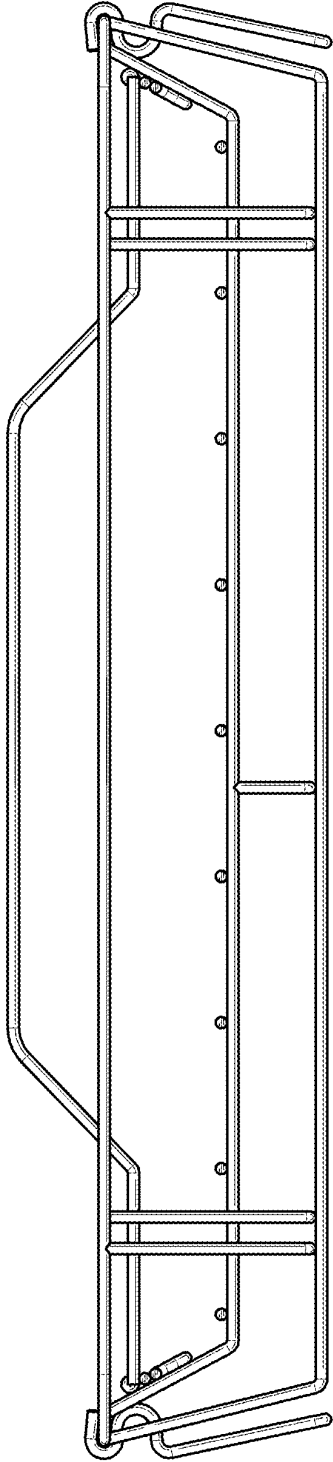


FIG. 2

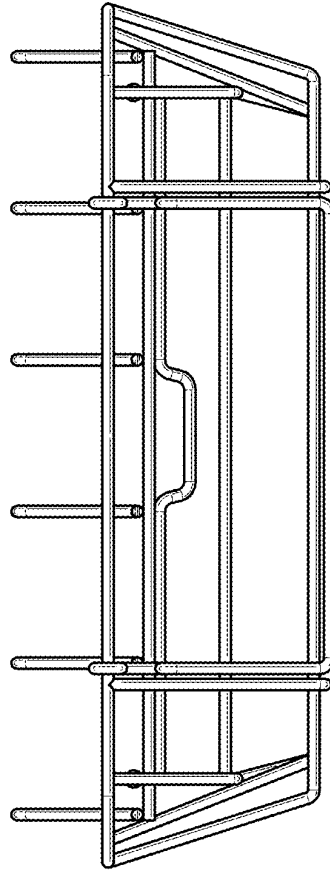
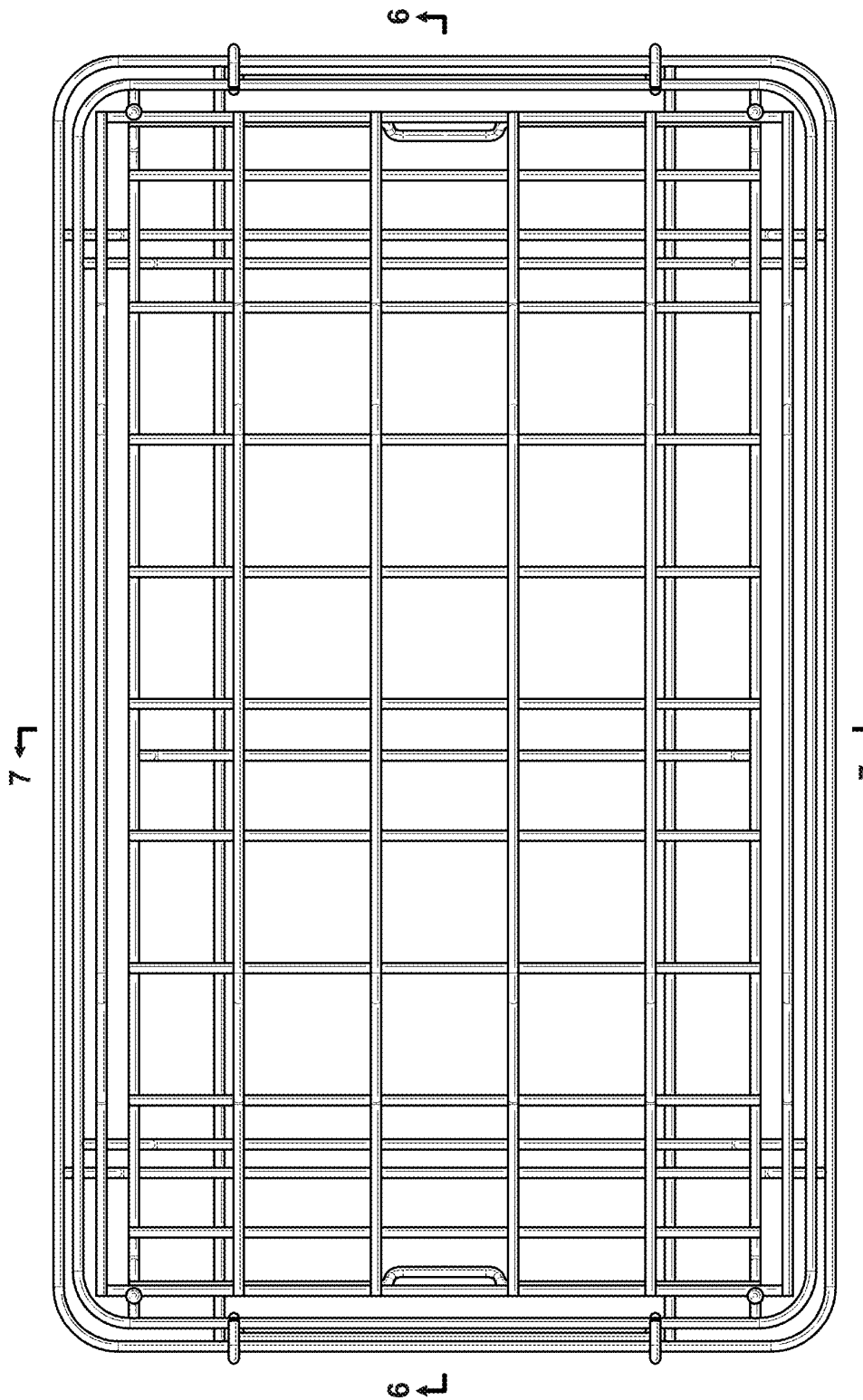


FIG. 3



7  
FIG. 4

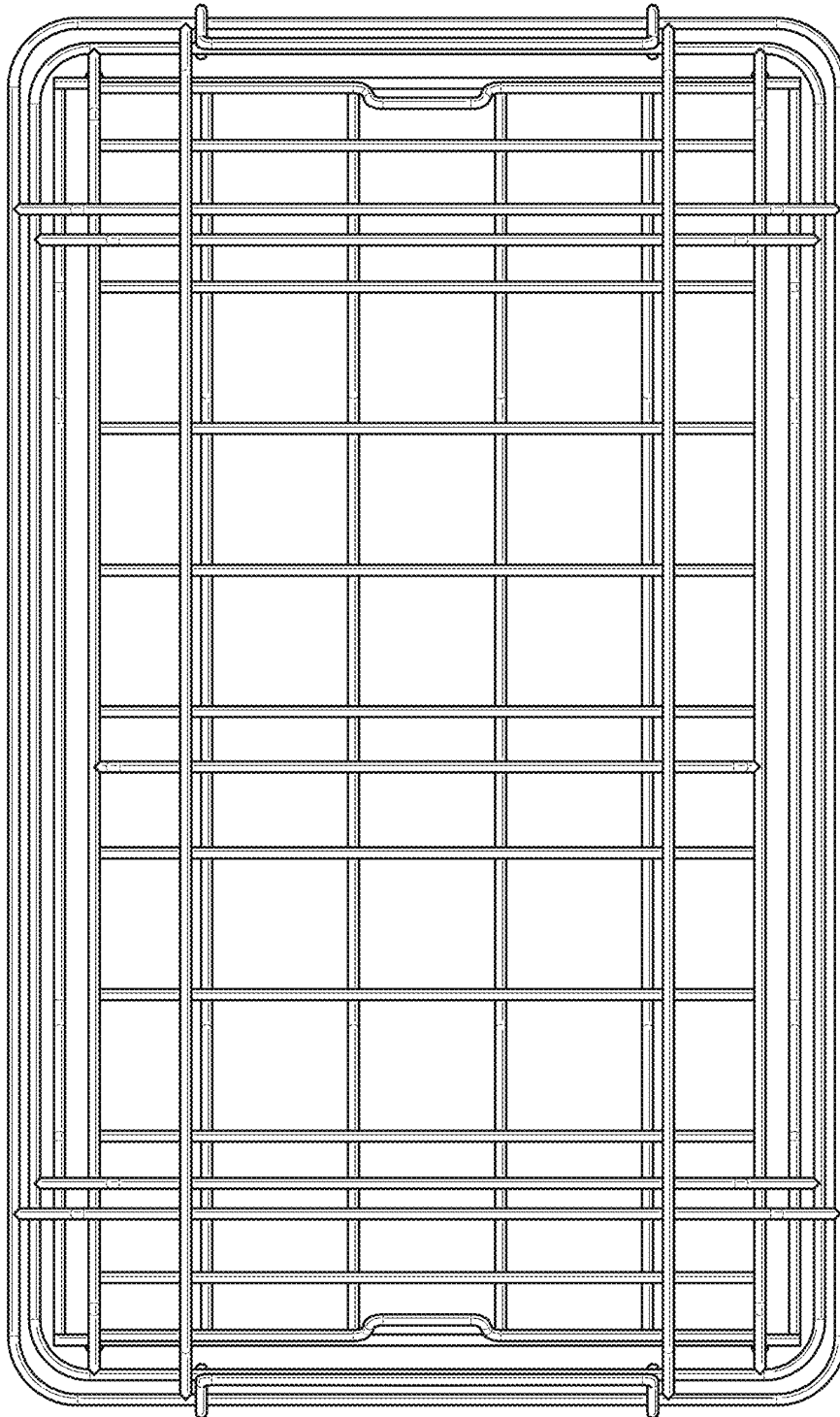


FIG. 5

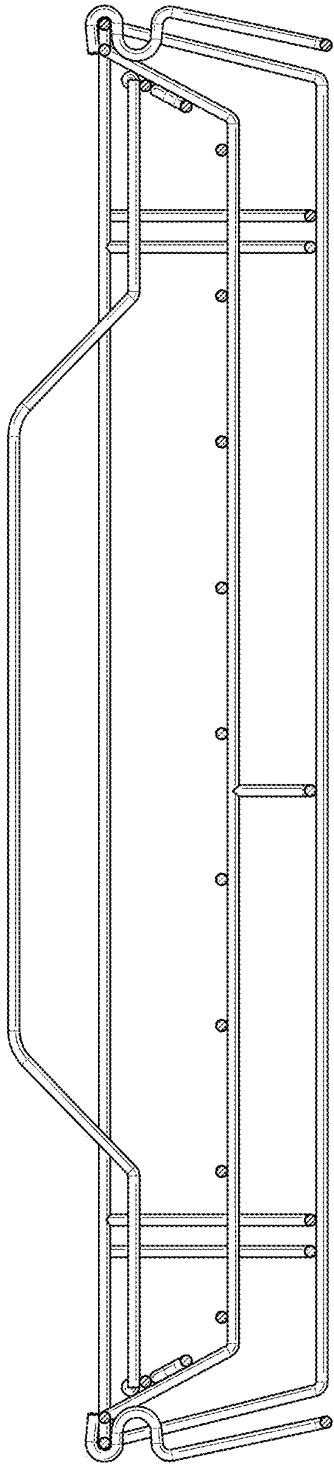


FIG. 6

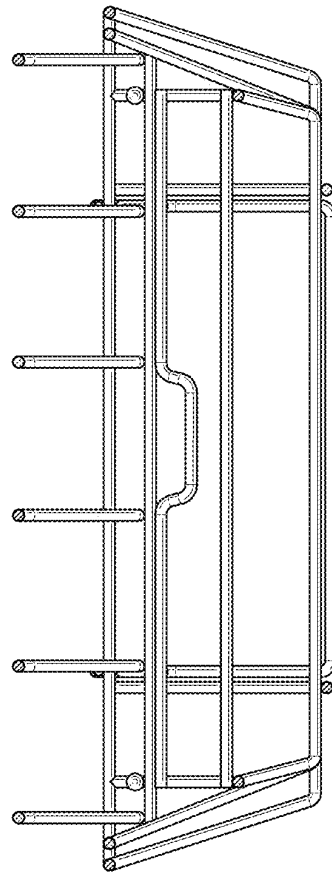


FIG. 7