



US00D992308S

(12) **United States Design Patent**
Lee

(10) **Patent No.:** **US D992,308 S**

(45) **Date of Patent:** **** Jul. 18, 2023**

(54) **PILLOW WITH ROD-SHAPED INSERT**

FOREIGN PATENT DOCUMENTS

(71) Applicant: **Ryan Lee**, Fort Lee, NJ (US)

KR 300305567.0000 * 9/2002
KR 300888623.0000 * 1/2017

(72) Inventor: **Ryan Lee**, Fort Lee, NJ (US)

(Continued)

(**) Term: **15 Years**

OTHER PUBLICATIONS

(21) Appl. No.: **29/881,600**

Lavender Zen Memory Foam Pillow for Sleeping, Suetra, amazon.com, published by Suetra, first available on Sep. 24, 2020 © 1996-2023 Amazon.com, Inc., online, site visited Mar. 7, 2023. URL: <https://www.amazon.co.uk/GermanicaTM-SPEYER-Furniture-Wardrobe-Assembly/dp/B08MWHK7BM> (Year: 2020).*

(22) Filed: **Jan. 4, 2023**

(Continued)

Related U.S. Application Data

(63) Continuation-in-part of application No. 17/578,711, filed on Jan. 19, 2022.

(51) **LOC (14) Cl.** **06-13**

(52) **U.S. Cl.**

USPC **D6/601**; D24/191

(58) **Field of Classification Search**

USPC D6/595-597, 601, 604, 606, 610-611;
D21/803-804, 807-810; D24/191-192;
5/619, 636, 643-644, 655, 655.3-655.9
CPC A47G 9/10; A47G 9/1009; A47G
2009/1018; A47G 9/1027; B60N 2/66;
B60N 2/64

See application file for complete search history.

Primary Examiner — Holly E Thurman
Assistant Examiner — Altaira J Swangin

(74) *Attorney, Agent, or Firm* — Michael J. Feigin, Esq.;
Feigin and Fridman LLC

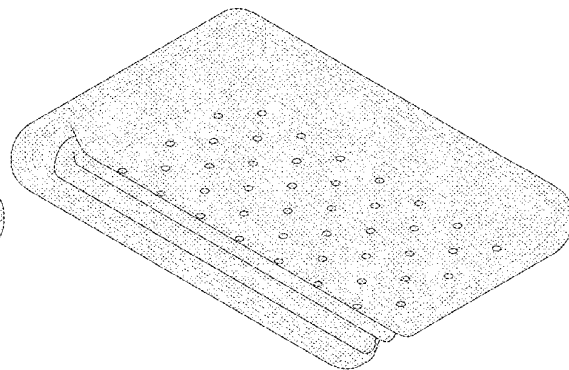
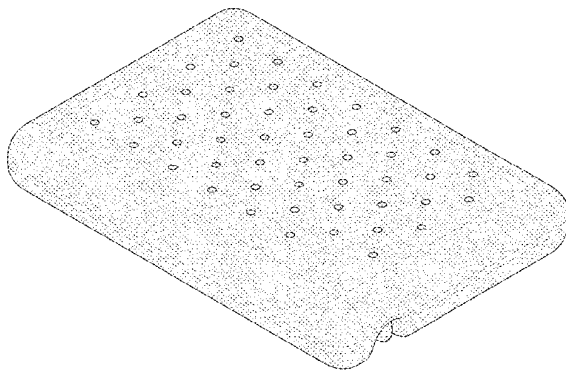
(57) **CLAIM**

The ornamental design for a pillow with rod-shaped insert, as shown and described.

DESCRIPTION

FIG. 1 is a top rear left perspective view of a pillow with rod-shaped insert;
FIG. 2 is a bottom front right perspective view thereof;
FIG. 3 is a side elevation view thereof, the opposite side being a mirror image;
FIG. 4 is a front elevational view thereof, the rear side being a mirror image;
FIG. 5 is a sectional view along the section line 5-5 of FIG. 6;
FIG. 6 is a top plan view thereof; and,
FIG. 7 is a bottom plan view.
The portions of the pillow with rod-shaped insert, shown with stippling, illustrate areas of contrasting appearance.

1 Claim, 5 Drawing Sheets



(56)

References Cited

U.S. PATENT DOCUMENTS

D284,151 S * 6/1986 Johnson A47G 9/1081
D6/601
D292,460 S * 10/1987 Malin D6/601
D293,012 S * 12/1987 Storey D21/809
D295,936 S * 5/1988 Sanders D6/601
4,821,355 A 4/1989 Burkhardt 5/636
D306,112 S 2/1990 Forsland D6/601
4,916,765 A * 4/1990 Castronovo, Jr. A47G 9/1081
5/636
D308,311 S 6/1990 Forsland D6/601
D309,070 S 7/1990 Burns, Sr. D6/604
D310,609 S 9/1990 Burkhardt D6/601
D321,760 S 11/1991 Carney D24/190
D332,663 S 1/1993 Liszewski D24/190
D333,403 S 2/1993 Perrone D6/601
D338,580 S * 8/1993 Evans D6/601
5,289,828 A 3/1994 Toth 5/624
D356,919 S 4/1995 Nadeau D6/601
D357,156 S * 4/1995 Wolfe D6/596
D372,160 S * 7/1996 Morgan D6/601
D380,835 S 7/1997 Peddy D24/183
D382,755 S 8/1997 Knopfler D6/596
D385,741 S * 11/1997 Lebenbaum 5/636
D388,996 S 1/1998 Bell D6/601
D394,977 S 6/1998 Frydman D6/601
D407,259 S 3/1999 Jackson D6/604
D414,872 S * 10/1999 Doyle D24/190
D416,428 S 11/1999 Jackson D6/604
D416,745 S 11/1999 Noyes D6/601
D431,143 S 9/2000 Sekelsky D6/601
D484,727 S * 1/2004 Haywood D6/601
6,823,546 B1 * 11/2004 Hsu A61H 7/001
5/639
D505,291 S 5/2005 Dalset D6/601
D537,286 S 2/2007 Johnson D6/603
D546,105 S 7/2007 McMillian D6/601
D590,648 S 4/2009 Rahimian D6/601
D593,349 S * 6/2009 Pittman D6/605
D595,529 S 7/2009 Deetsch D6/601

D609,957 S * 2/2010 Briscoe D6/601
D658,921 S * 5/2012 Prendergast D6/604
D677,506 S * 3/2013 Lai D6/601
D691,828 S * 10/2013 Rosenberg D6/601
D706,062 S * 6/2014 Murray D6/601
D707,358 S 6/2014 Mantilla D24/184
D736,541 S 8/2015 Maldonado D6/601
D740,386 S * 10/2015 Herter D21/803
10,010,183 B2 * 7/2018 DeMore A47G 9/109
D828,922 S 9/2018 Hansen D24/183
D851,425 S * 6/2019 Clute D6/601
D870,893 S * 12/2019 He D24/171
D875,436 S * 2/2020 Brasington D6/601
10,660,461 B1 * 5/2020 Chavez A47G 9/10
D896,005 S * 9/2020 Martone D6/601
D896,553 S * 9/2020 Brasington D6/601
D903,128 S 11/2020 Madjitey D24/190
D939,245 S * 12/2021 Medina D6/601
D946,308 S 3/2022 Rifelj D6/601
D965,722 S * 10/2022 Wen D21/803
D966,010 S 10/2022 Nevalidov D6/601
D979,982 S * 3/2023 Zhan D6/601
2011/0061167 A1 * 3/2011 Farley A47G 9/10
83/13
2018/0368593 A1 * 12/2018 Bourgeois A47G 9/1009
2021/0353081 A1 * 11/2021 Chun A47G 9/109

FOREIGN PATENT DOCUMENTS

KR 300896667.0000 * 2/2017
KR 300984806.0000 * 12/2018
KR 301043457.0000 * 1/2020

OTHER PUBLICATIONS

Z Shoulder Zoned Dough Gel Infused Pillow, Malouf, overstock.com, author unlisted, published on Sep. 11, 2019 © 1996-2023 Amazon.com, Inc., online, site visited Mar. 7, 2023. URL: <https://www.overstock.com/Bedding-Bath/Z-Shoulder-ZONED-DOUGH-Gel-Infused-Pillow/17520648/product.html> (Year: 2019).*

* cited by examiner

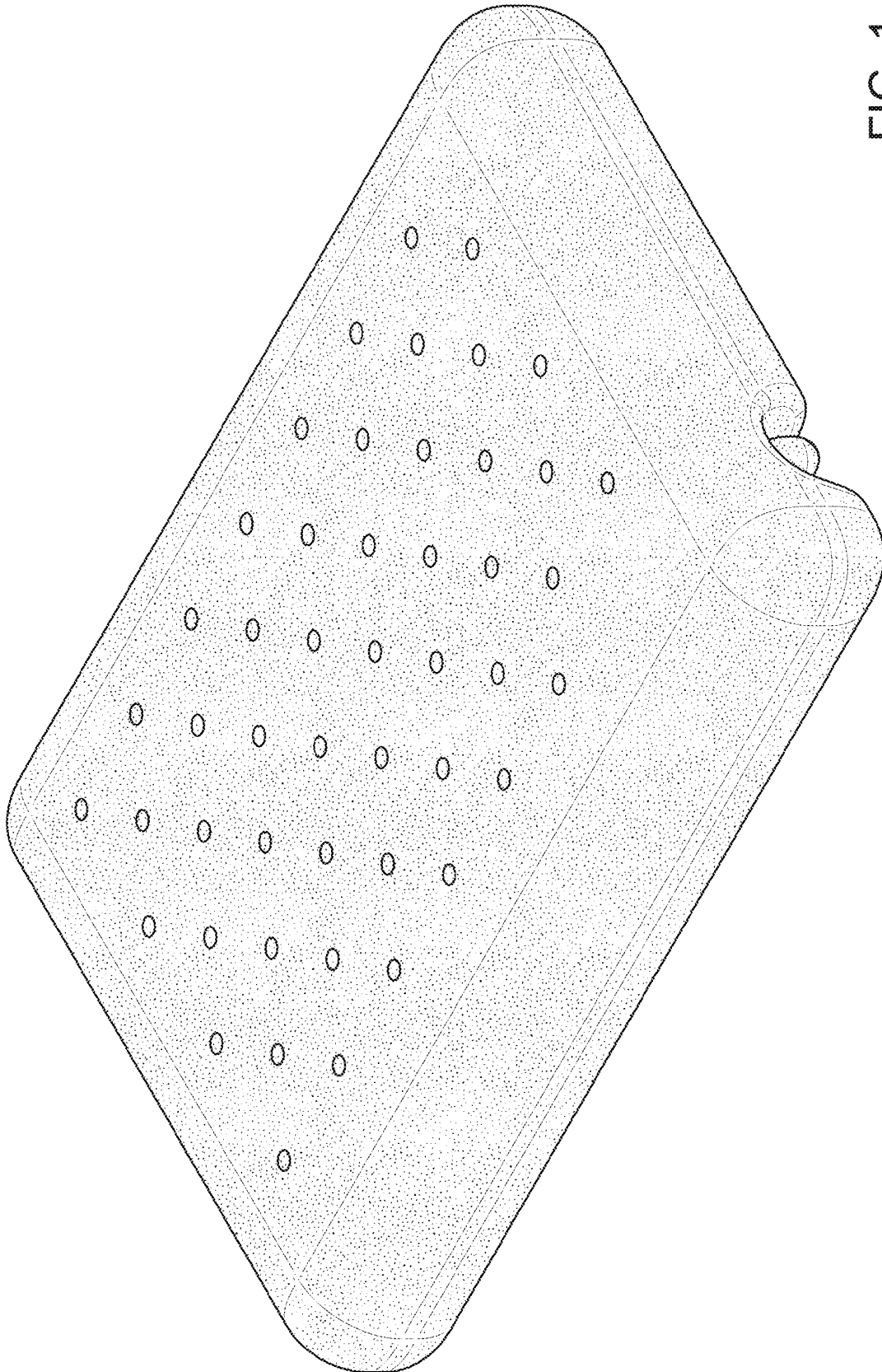


FIG. 1

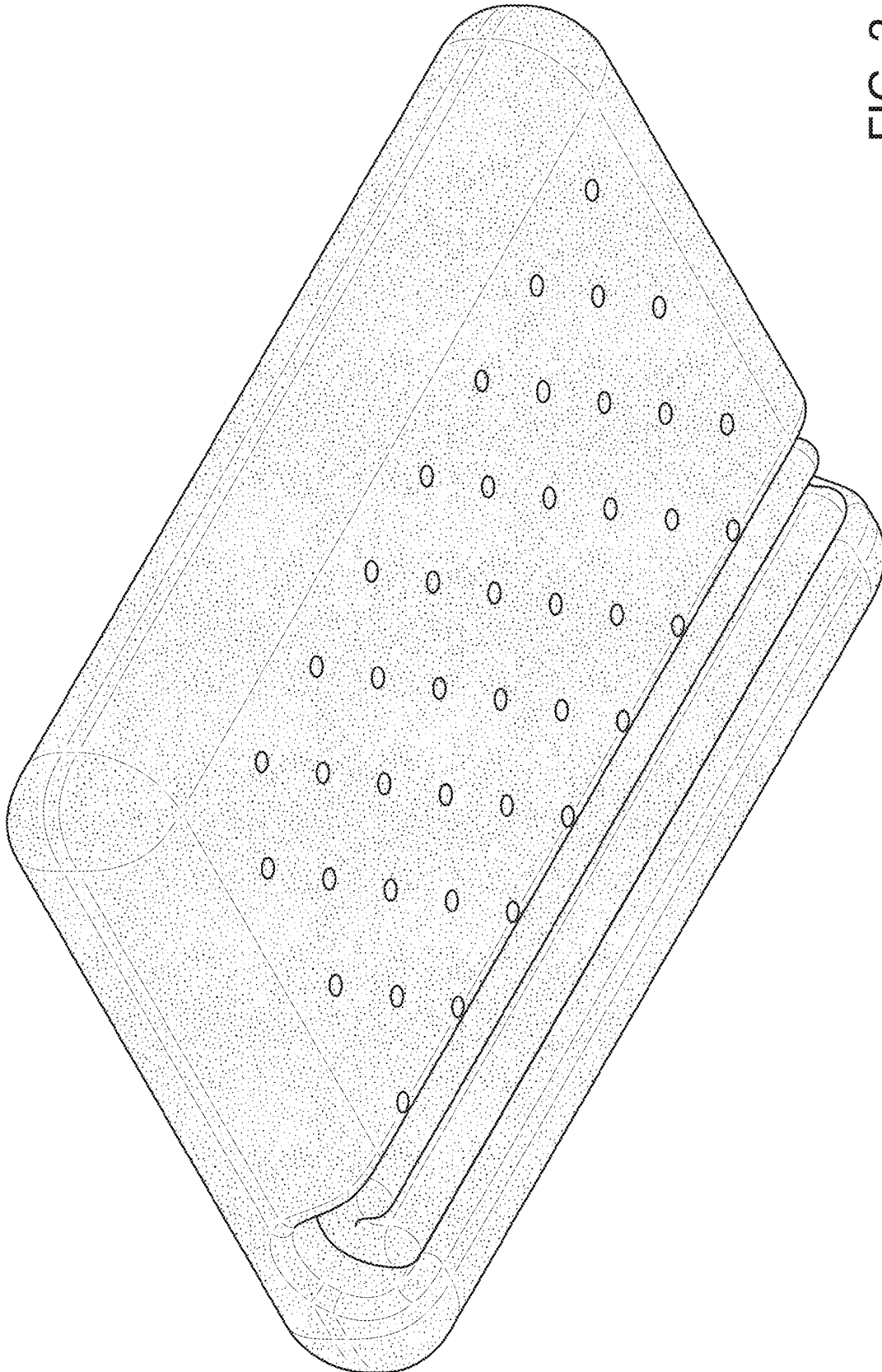


FIG. 2

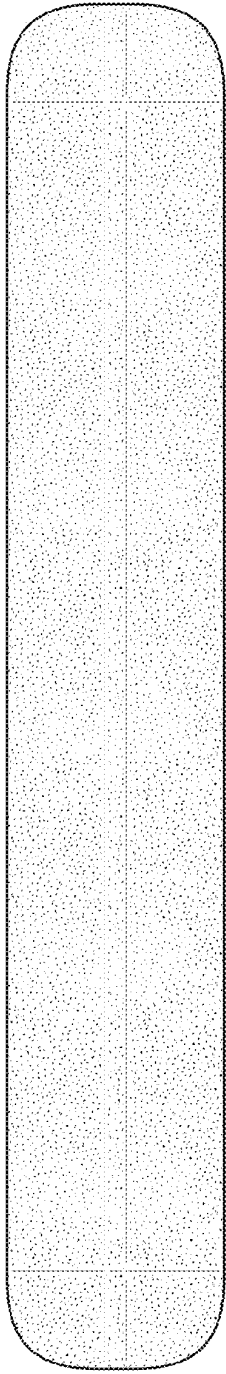


FIG. 3

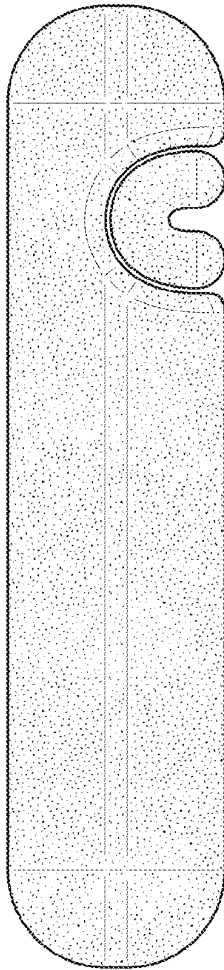


FIG. 4

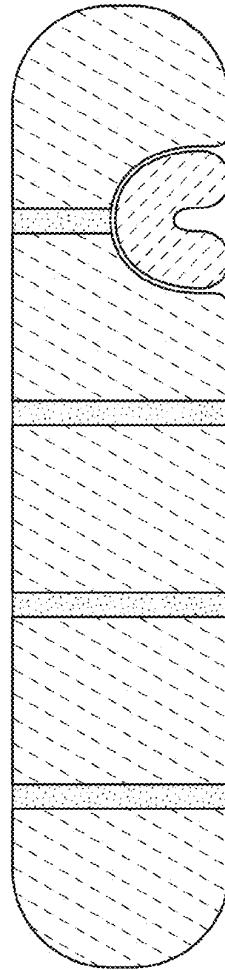


FIG. 5

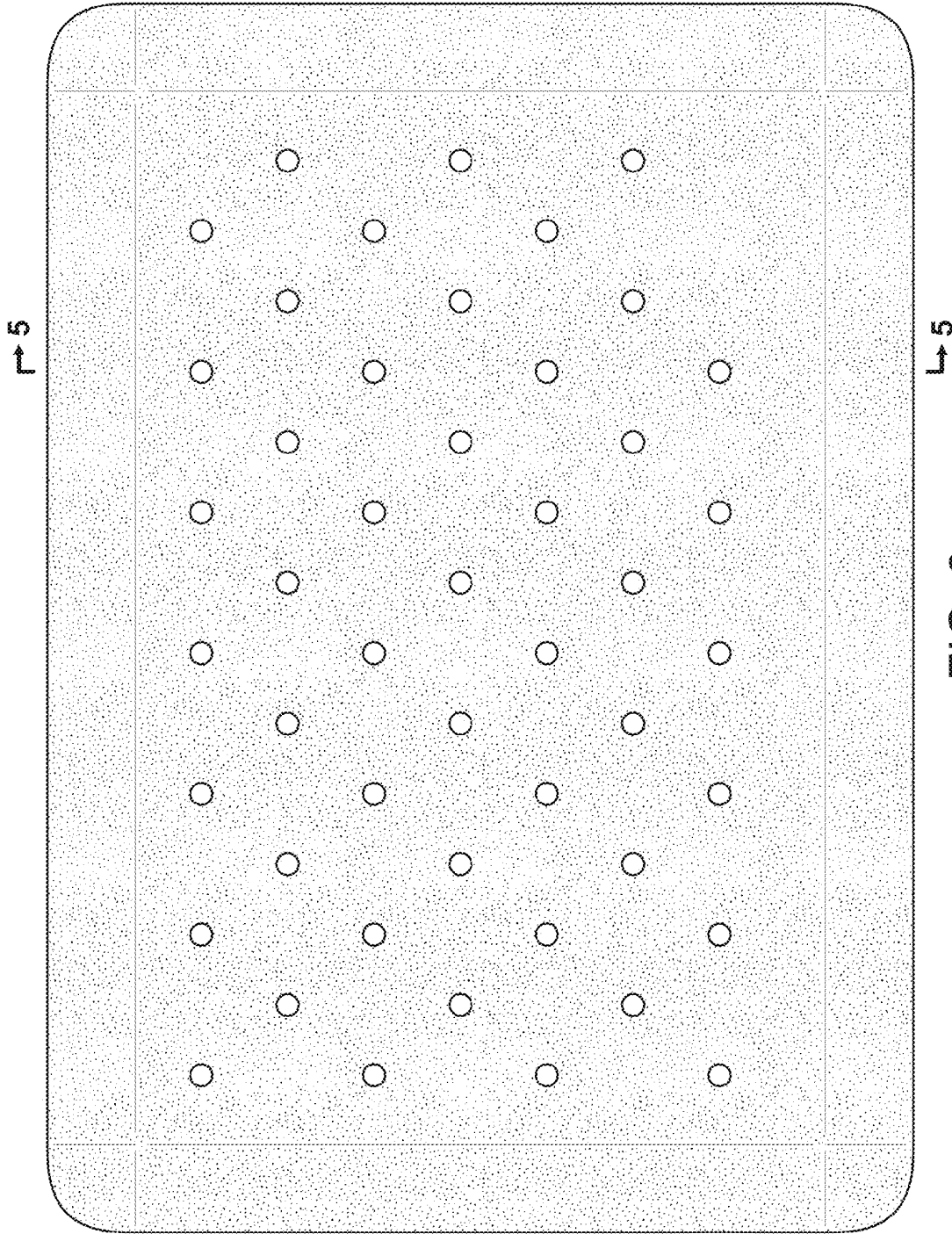


FIG. 6

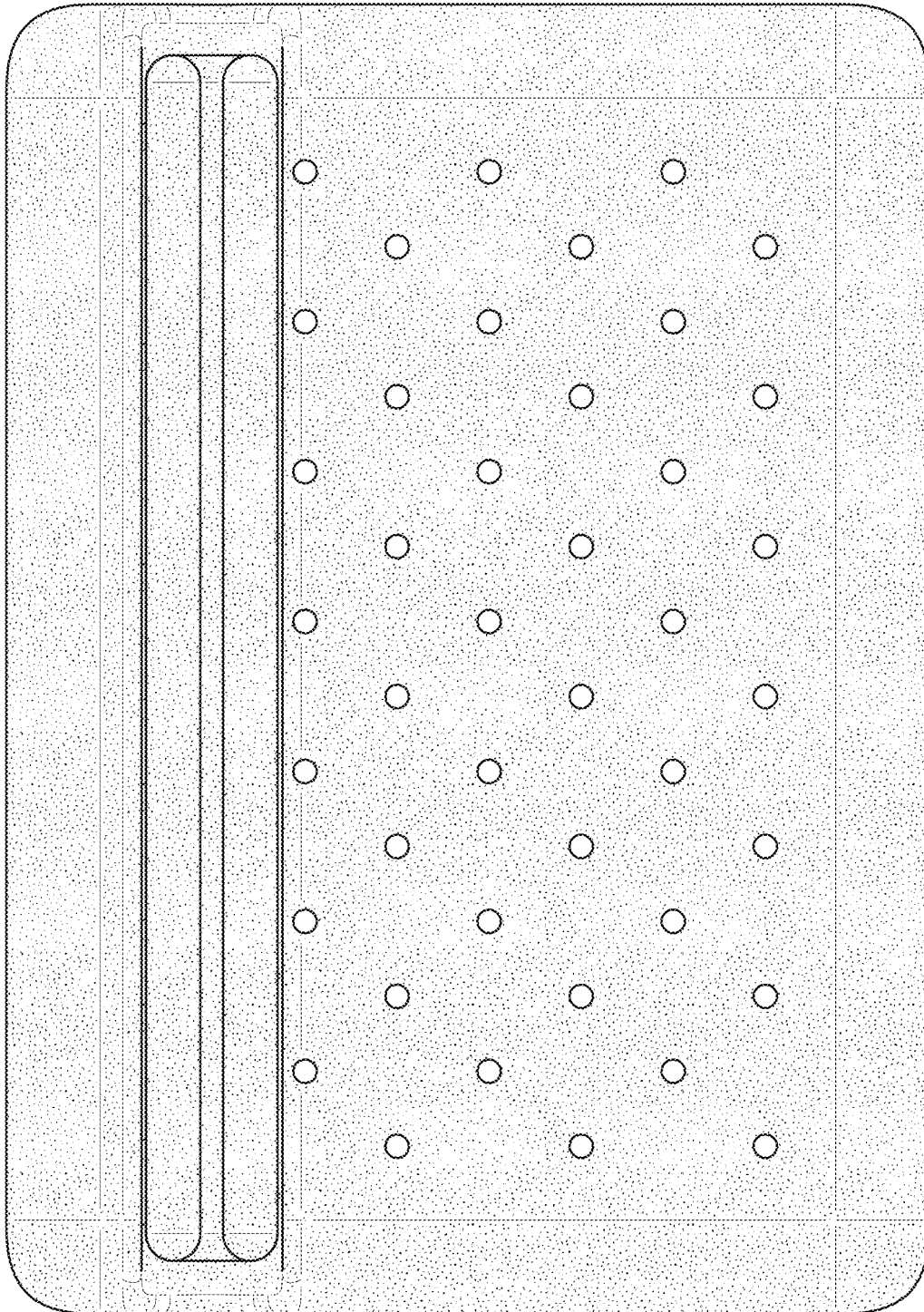


FIG. 7