



US00D849185S

(12) **United States Design Patent**
Kremerman

(10) **Patent No.:** **US D849,185 S**

(45) **Date of Patent:** **** May 21, 2019**

(54) **DISTILLATION HEAD**

(71) Applicant: **Elliot Kremerman**, Scotts Valley, CA
(US)

(72) Inventor: **Elliot Kremerman**, Scotts Valley, CA
(US)

(**) Term: **15 Years**

(21) Appl. No.: **29/654,591**

(22) Filed: **Jun. 26, 2018**

(51) **LOC (11) Cl.** **23-01**

(52) **U.S. Cl.**
USPC **D23/207**

(58) **Field of Classification Search**
USPC D23/207, 209; 202/81, 87, 176, 204
CPC C02F 1/04; B01D 5/0051; B01D 3/04;
B01D 3/008; B01D 3/00
See application file for complete search history.

(56) **References Cited**

U.S. PATENT DOCUMENTS

| | | | |
|---------------|---------|----------|------------------------|
| D173,603 S | 12/1954 | Atkinson | |
| 3,020,215 A * | 2/1962 | Weber | B01D 1/0017 202/197 |
| 3,271,935 A | 9/1966 | Smith | |
| 3,334,025 A * | 8/1967 | Reid | B01D 3/00 202/161 |
| D247,248 S | 2/1978 | Durot | |
| 4,089,749 A * | 5/1978 | Karamian | B01D 3/00 202/176 |
| D248,485 S | 7/1978 | Strauss | |
| 4,159,817 A | 7/1979 | Ikawa | |
| 4,230,536 A * | 10/1980 | Sech | B01D 1/0094 122/234 |
| 4,303,614 A * | 12/1981 | Spring | B01D 3/00 137/217 |
| D293,128 S | 12/1987 | Karamian | |
| D293,368 S | 12/1987 | Karamian | |

| | | | |
|---------------|---------|----------------------|----------------------------|
| D306,338 S | 2/1990 | Rempe | |
| D314,225 S | 1/1991 | Palmer | |
| D316,739 S | 5/1991 | Erickson | |
| D339,862 S | 9/1993 | Weber | |
| 5,354,428 A | 10/1994 | Clark | |
| D358,448 S | 5/1995 | Paoli | |
| 5,411,707 A | 5/1995 | Hiatt | |
| 5,711,857 A * | 1/1998 | Armstrong | B01D 1/0017 159/DIG. 26 |
| D412,550 S | 8/1999 | Bell | |
| D425,174 S | 5/2000 | Swancara | |
| D432,203 S | 10/2000 | Edwards | |
| D455,813 S | 4/2002 | Mount | |
| D458,340 S | 6/2002 | Lindahl | |
| 6,551,464 B1 | 4/2003 | Kimel | |
| D634,397 S | 3/2011 | Leutzenheiser et al. | |
| D706,386 S | 6/2014 | Ambler | |
| D727,460 S | 4/2015 | Collins | |
| D731,615 S | 6/2015 | Ambler | |

(Continued)

Primary Examiner — Robin V Webster

(74) *Attorney, Agent, or Firm* — Michael J. Feigin, Esq.;
Feigin and Fridman LLC

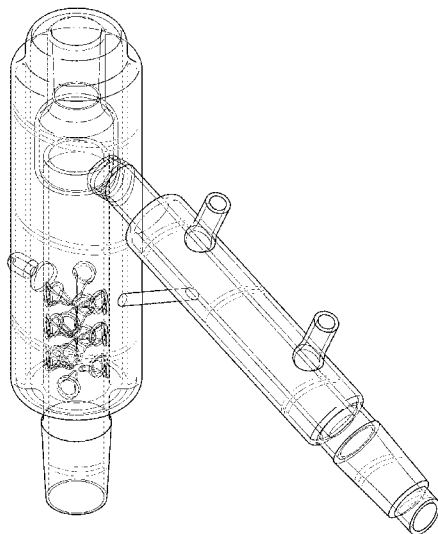
(57) **CLAIM**

The ornamental design for a distillation head, as shown and described.

DESCRIPTION

FIG. 1 shows a top and side perspective view of a cold trap. FIG. 2 shows a bottom and reverse side perspective view thereof. FIG. 3 shows a side view, the reverse side being a mirror image thereof. FIG. 4 shows a front view thereof. FIG. 5 shows a rear view thereof. FIG. 6 shows a top plan view thereof. FIG. 7 shows a bottom plan view thereof; and, FIG. 8 is a cutaway view taken long line 8-8 in FIG. 5.

1 Claim, 6 Drawing Sheets



(56)

References Cited

U.S. PATENT DOCUMENTS

| | | | | |
|-----------|-----|---------|--------------|------------------------------|
| 9,138,657 | B1 | 9/2015 | Wiederin | |
| D775,310 | S | 12/2016 | Kremerman | |
| D776,238 | S | 1/2017 | Kremerman | |
| D780,286 | S | 2/2017 | Ausner | |
| D787,630 | S | 5/2017 | Lipkens | |
| D790,033 | S | 6/2017 | Kremerman | |
| 9,682,331 | B2* | 6/2017 | Kremerman | B01D 3/10 |
| D802,084 | S | 11/2017 | Kremerman | |
| D802,085 | S | 11/2017 | Kremerman | |
| D805,599 | S | 12/2017 | Kremerman | |
| D805,600 | S* | 12/2017 | Kremerman | B01D 1/0017 D23/207 |
| D806,829 | S | 1/2018 | Kremerman | |
| D819,779 | S | 6/2018 | Kremerman | |
| D828,904 | S | 9/2018 | Maibach, Jr. | |

* cited by examiner

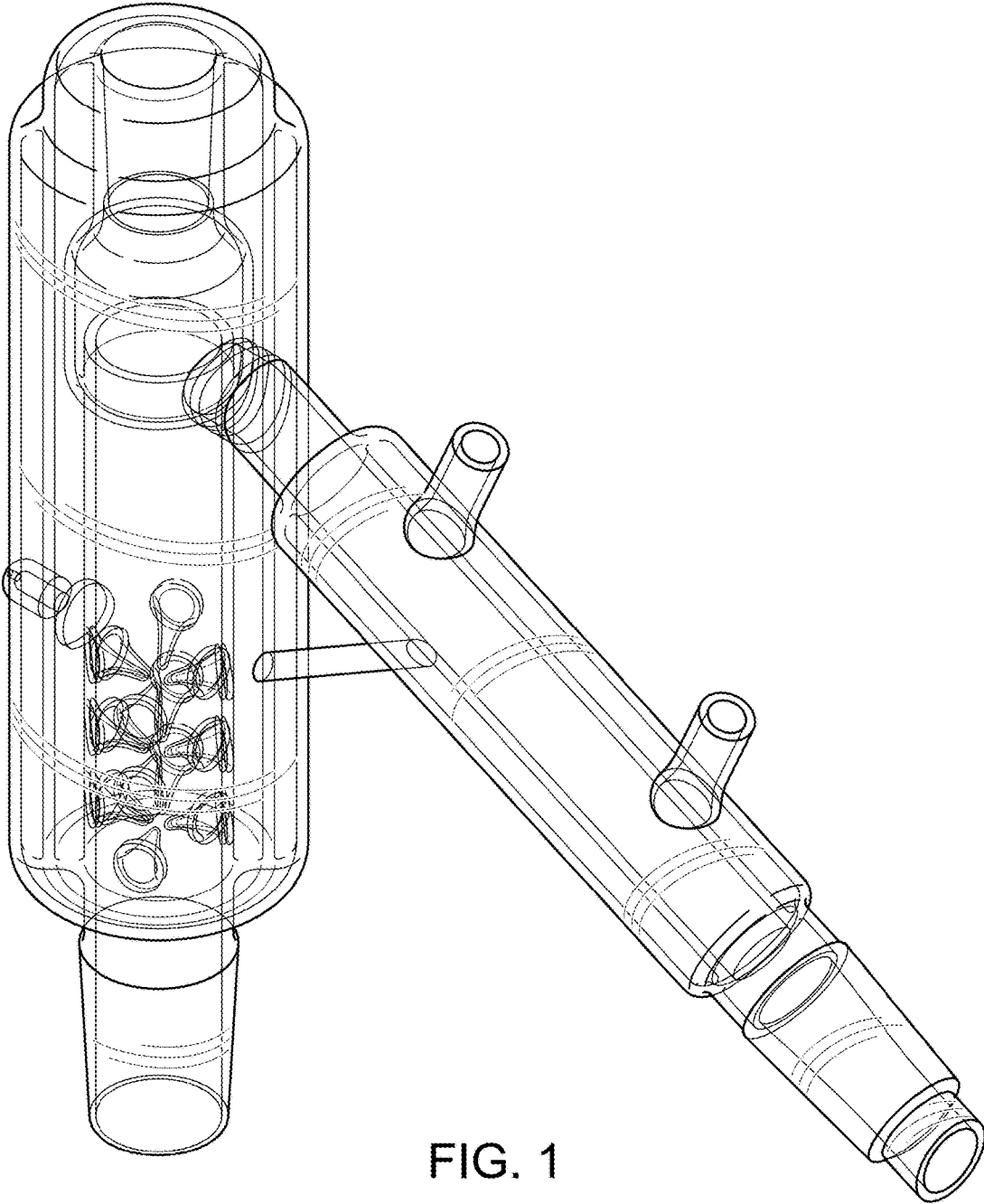


FIG. 1

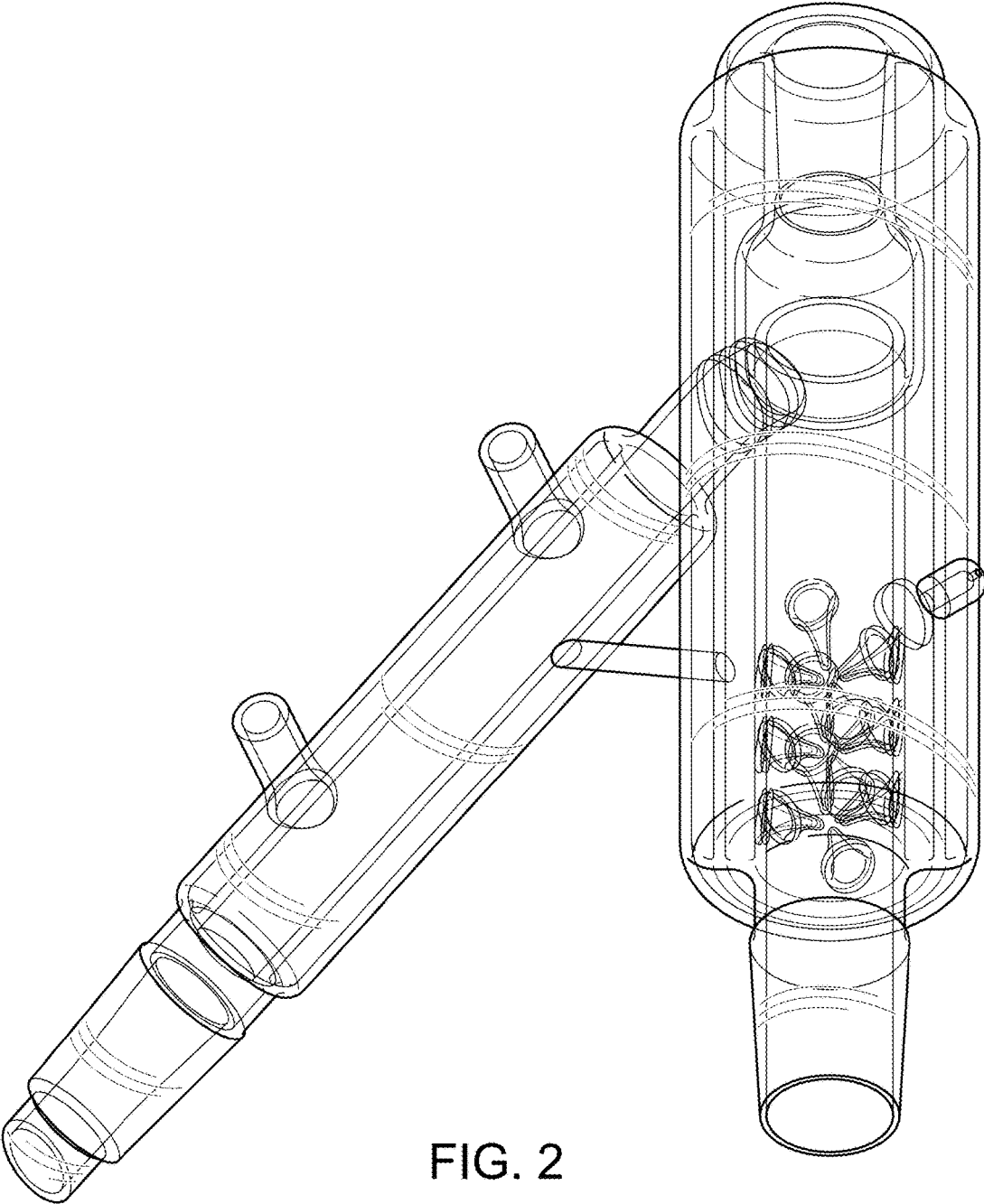


FIG. 2

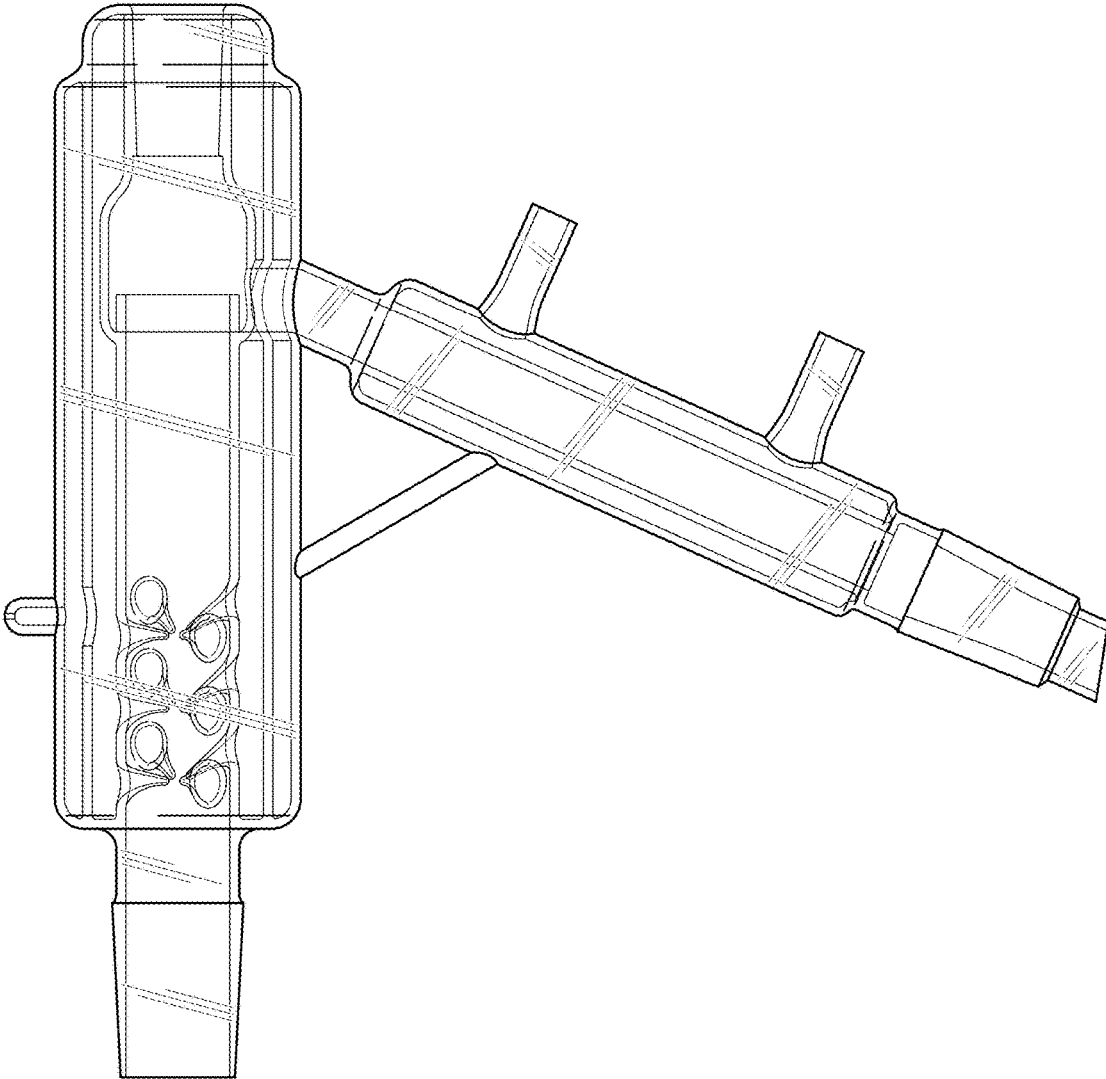


FIG. 3

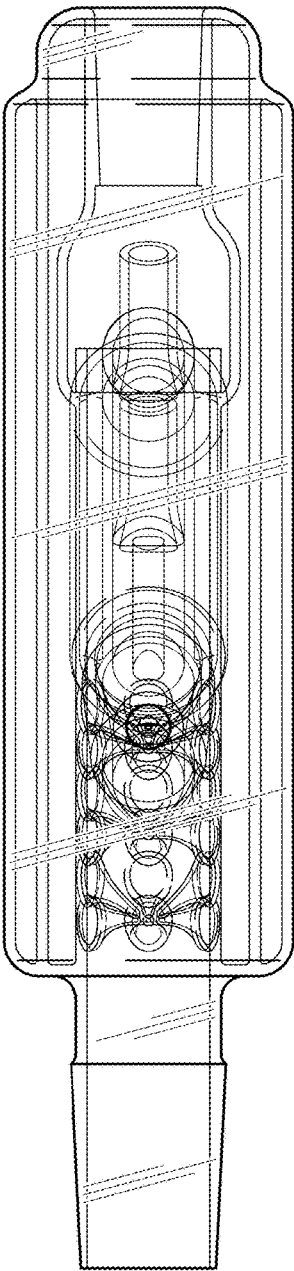


FIG. 4

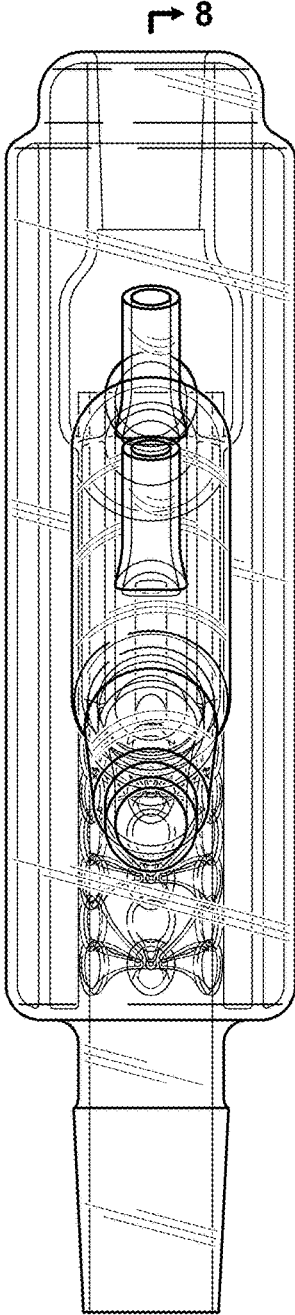


FIG. 5

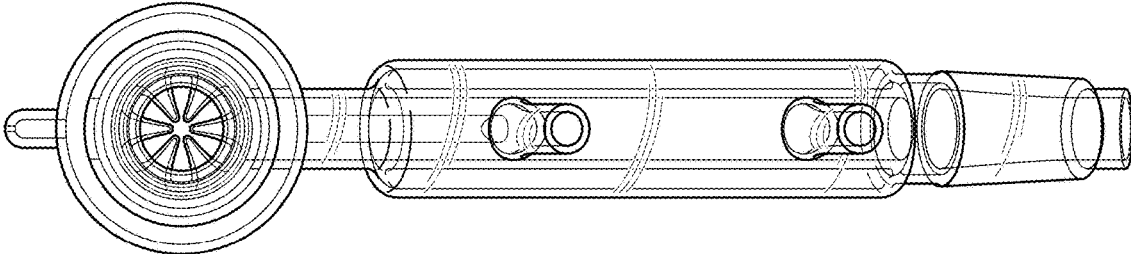


FIG. 6

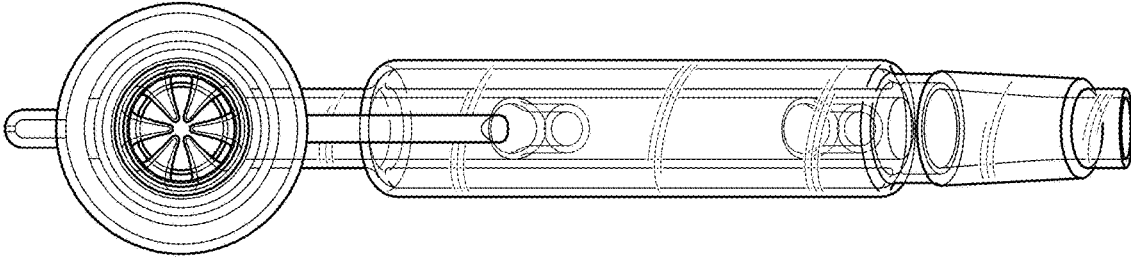


FIG. 7

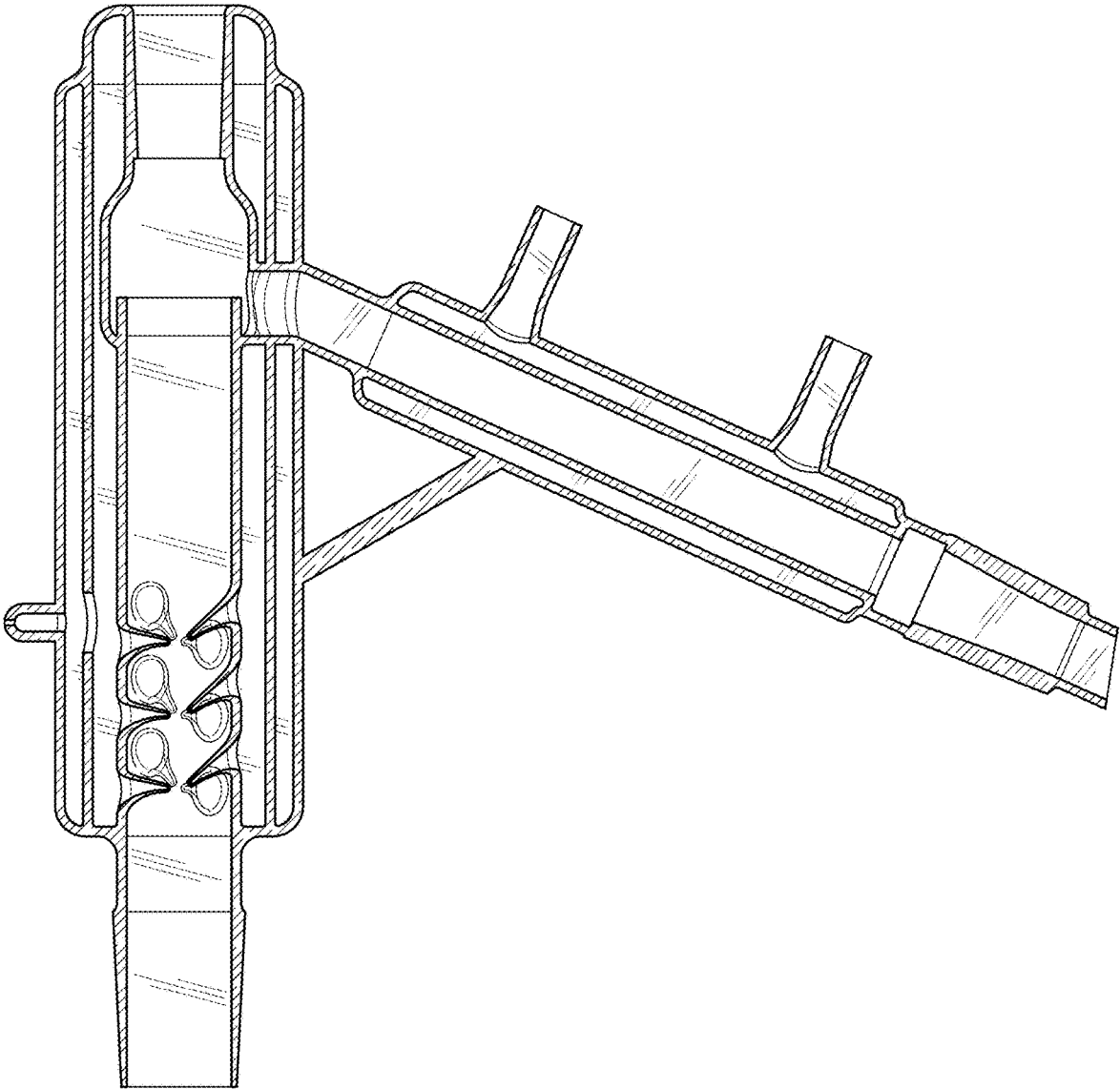


FIG. 8