

(12) **United States Design Patent** (10) **Patent No.:** **US D849,186 S**
Kremerman (45) **Date of Patent:** **** May 21, 2019**

- (54) **DISTILLATION HEAD**
- (71) Applicant: **Elliot Kremerman**, Scotts Valley, CA (US)
- (72) Inventor: **Elliot Kremerman**, Scotts Valley, CA (US)
- (**) Term: **15 Years**
- (21) Appl. No.: **29/654,593**
- (22) Filed: **Jun. 26, 2018**
- (51) **LOC (11) Cl.** **23-01**
- (52) **U.S. Cl.**
 USPC **D23/207**
- (58) **Field of Classification Search**
 USPC D23/207, 209; 202/81, 87, 176, 204
 CPC C02F 1/04; B01D 5/0051; B01D 3/04;
 B01D 3/008; B01D 3/00
 See application file for complete search history.

D314,225 S	1/1991	Palmer	
D316,739 S	5/1991	Erickson	
D339,862 S	9/1993	Weber	
5,354,428 A	10/1994	Clark	
D358,448 S	5/1995	Paoli	
5,411,707 A	5/1995	Hiatt	
5,711,857 A *	1/1998	Armstrong B01D 1/0017 159/DIG. 26
D412,550 S	8/1999	Bell	
D425,174 S	5/2000	Swancara	

(Continued)

Primary Examiner — Robin V Webster
 (74) *Attorney, Agent, or Firm* — Michael J. Feigin, Esq.;
 Feigin and Fridman

(57) **CLAIM**

The ornamental design for a distillation head, as shown and described.

DESCRIPTION

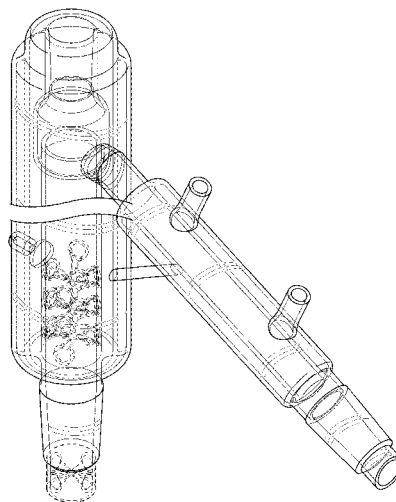
FIG. 1 shows a top and side perspective view of a distillation head.
 FIG. 2 shows a bottom and reverse side perspective view thereof.
 FIG. 3 shows a side view, the reverse side being a mirror image thereof.
 FIG. 4 shows a front view thereof.
 FIG. 5 shows a rear view thereof.
 FIG. 6 shows a top plan view thereof.
 FIG. 7 shows a bottom plan view thereof; and,
 FIG. 8 shows a cutaway view taken along line 8-8 in FIG. 5.
 The broken line showing is included for the purpose of illustrating environment and forms no part of the claimed design.
 The distillation head is shown with a break to indicate non-specified length. The appearance of any portion of the article between the break lines forms no part of the claimed design.

(56) **References Cited**

U.S. PATENT DOCUMENTS

D173,603 S	12/1954	Atkinson	
3,020,215 A *	2/1962	Weber B01D 1/0017 202/197
3,271,935 A	9/1966	Smith	
3,334,025 A *	8/1967	Reid B01D 3/00 202/161
D247,248 S	2/1978	Durot	
4,089,749 A *	5/1978	Karamian B01D 3/00 202/176
D248,485 S	7/1978	Strauss	
4,159,817 A	7/1979	Ikawa	
4,230,536 A *	10/1980	Sech B01D 1/0094 122/234
4,303,614 A *	12/1981	Spring B01D 3/00 137/217
D293,128 S	12/1987	Karamian	
D293,368 S	12/1987	Karamian	
D306,338 S	2/1990	Remppe	

1 Claim, 6 Drawing Sheets



(56)

References Cited

U.S. PATENT DOCUMENTS

D432,203	S	10/2000	Edwards	
D455,813	S	4/2002	Mount	
D458,340	S	6/2002	Lindahl	
6,551,464	B1	4/2003	Kimel	
D634,397	S	3/2011	Leutzenheiser et al.	
D706,386	S	6/2014	Ambler	
D727,460	S	4/2015	Collins	
D731,615	S	6/2015	Ambler	
9,138,657	B1	9/2015	Wiederin	
D775,310	S	12/2016	Kremerman	
D776,238	S	1/2017	Kremerman	
D780,286	S	2/2017	Ausner	
D787,630	S	5/2017	Lipkens	
D790,033	S	6/2017	Kremerman	
9,682,331	B2 *	6/2017	Kremerman B01D 3/10
D802,084	S	12/2017	Kremerman	
D802,085	S	12/2017	Kremerman	
D805,599	S	12/2017	Kremerman	
D805,600	S *	12/2017	Kremerman B01D 1/0017 D23/207
D806,829	S	1/2018	Kremerman	
D819,779	S	6/2018	Kremerman	
D828,904	S	9/2018	Maibach, Jr.	

* cited by examiner

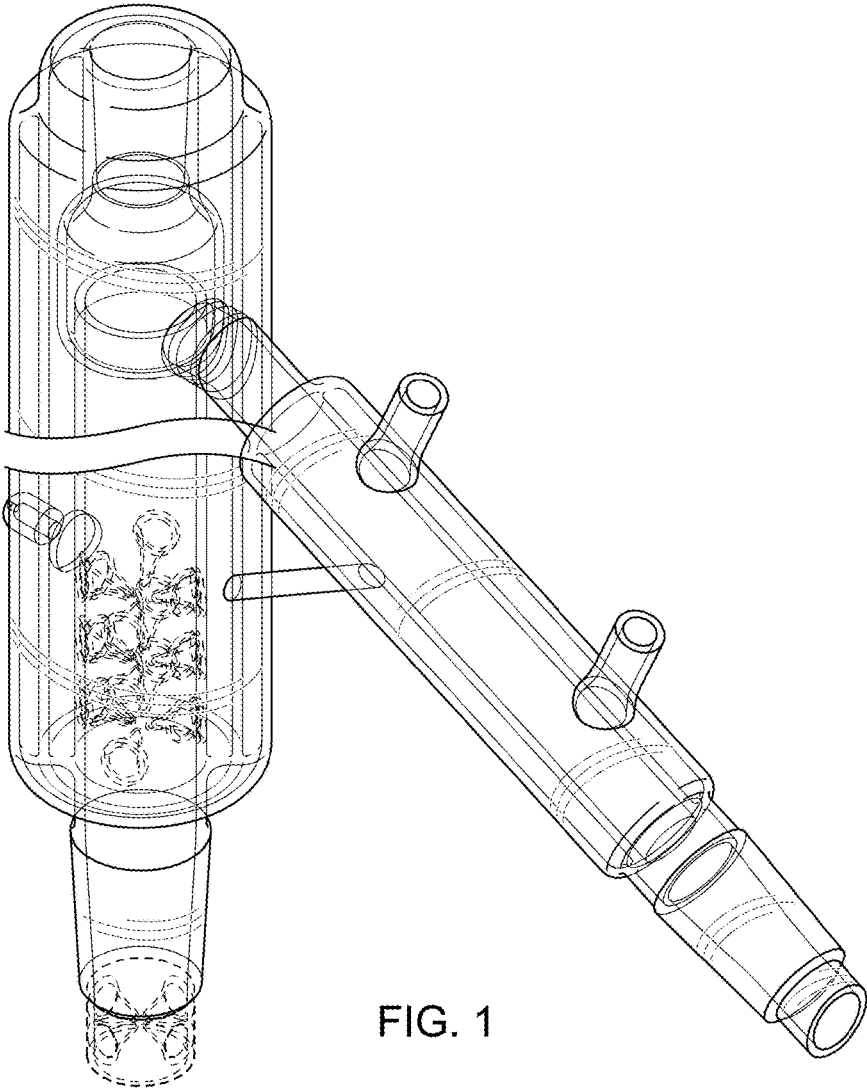


FIG. 1

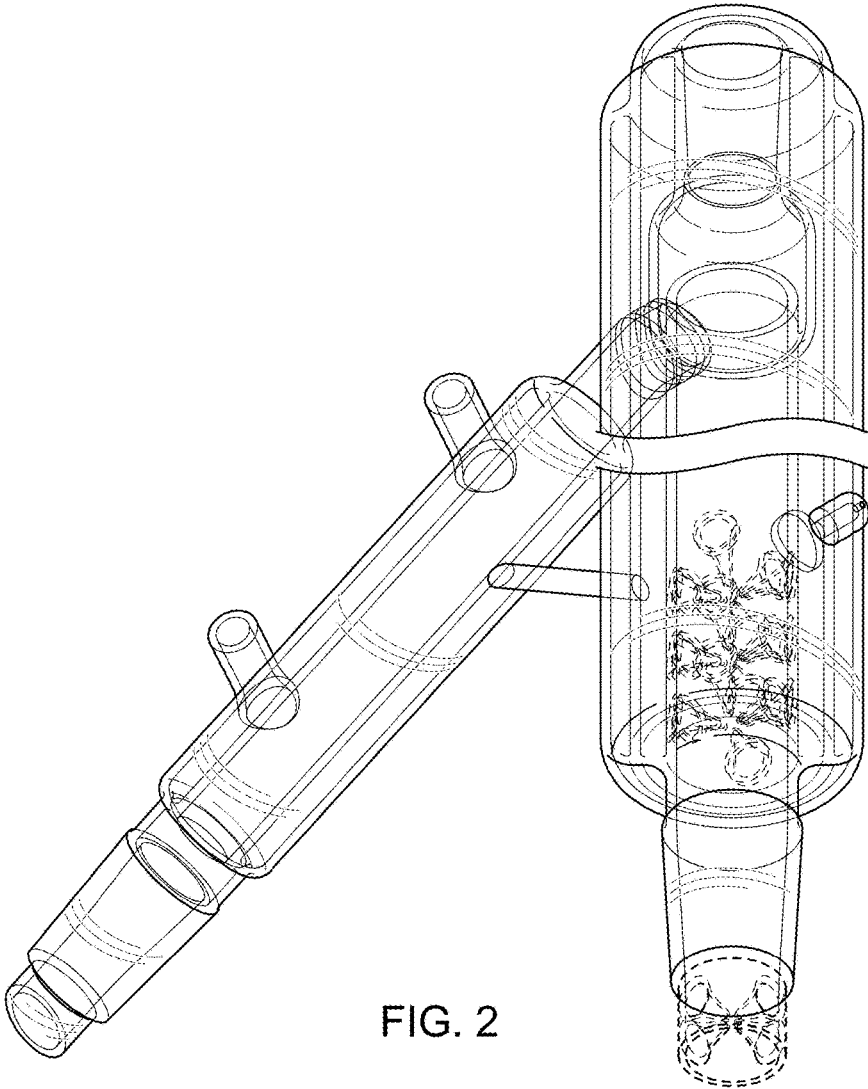


FIG. 2

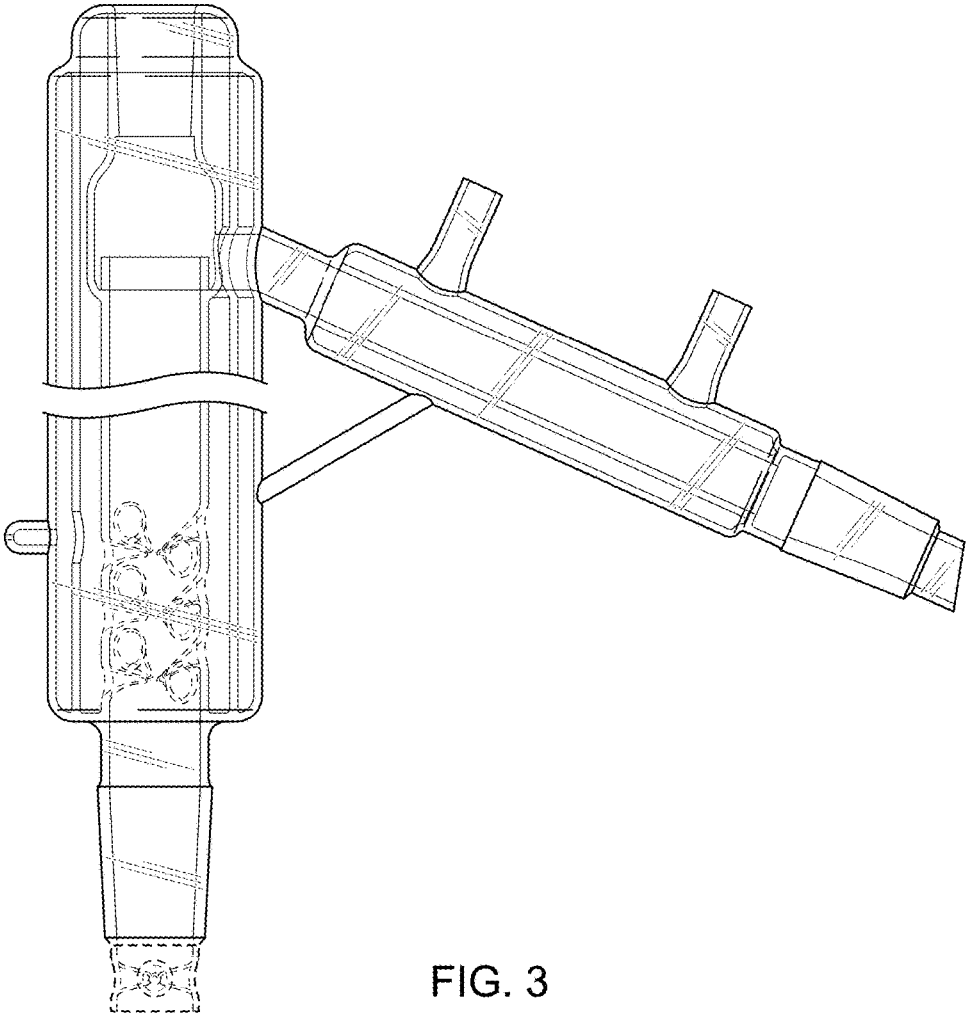


FIG. 3

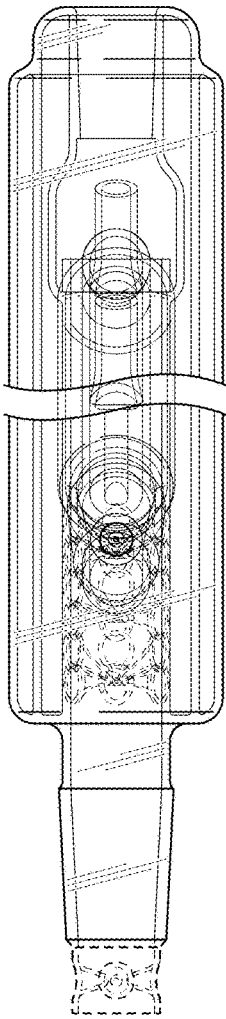


FIG. 4

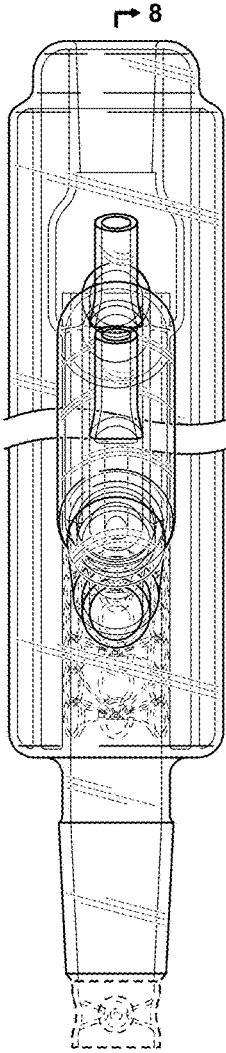


FIG. 5

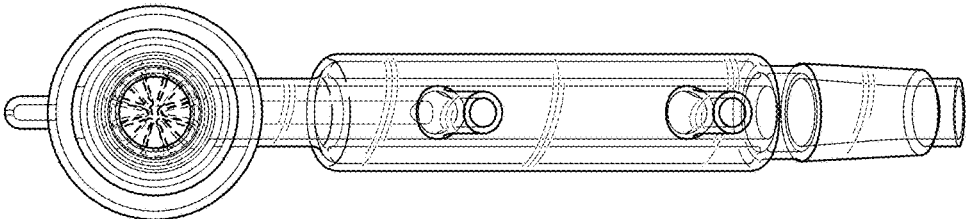


FIG. 6

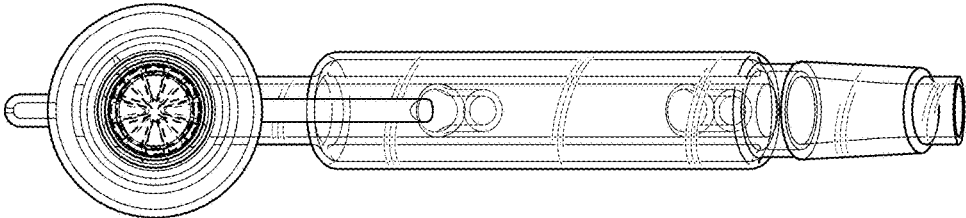


FIG. 7

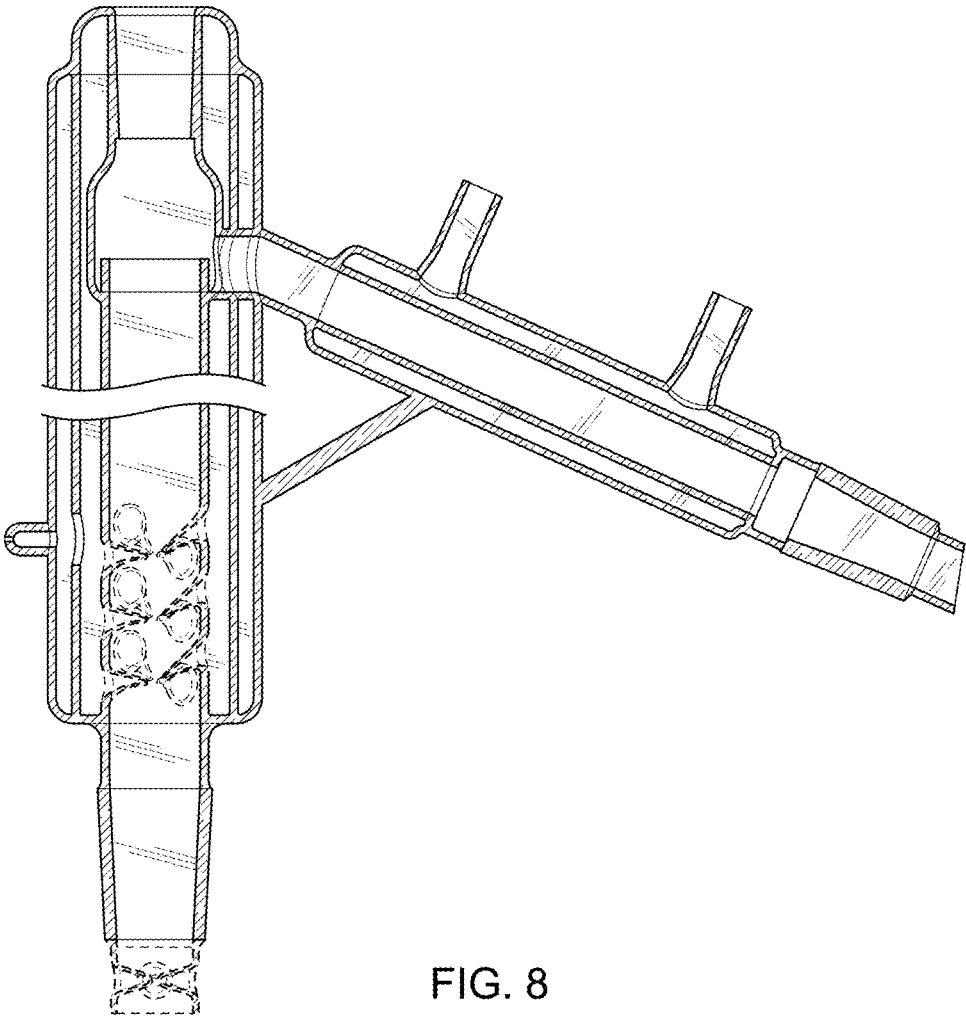


FIG. 8