



US00D849187S

(12) **United States Design Patent**  
**Kremerman**

(10) **Patent No.:** **US D849,187 S**

(45) **Date of Patent:** **\*\* May 21, 2019**

(54) **DISTILLATION HEAD**

4,303,614 A \* 12/1981 Spring ..... B01D 3/00  
137/217

(71) Applicant: **Elliot Kremerman**, Scotts Valley, CA  
(US)

D293,128 S 12/1987 Karamian  
D293,368 S 12/1987 Karamian

(72) Inventor: **Elliot Kremerman**, Scotts Valley, CA  
(US)

D306,338 S 2/1990 Rempe  
D314,225 S 1/1991 Palmer  
D316,739 S 5/1991 Erickson

(\*\*) Term: **15 Years**

D339,862 S 9/1993 Weber  
5,354,428 A 10/1994 Clark  
D358,448 S 5/1995 Paoli

(21) Appl. No.: **29/665,415**

5,411,707 A 5/1995 Hiatt  
5,711,857 A \* 1/1998 Armstrong ..... B01D 1/0017  
159/DIG. 26

(22) Filed: **Oct. 3, 2018**

D412,550 S 8/1999 Bell  
D425,174 S 5/2000 Swancara  
D432,203 S 10/2000 Edwards  
D455,813 S 4/2002 Mount

**Related U.S. Application Data**

(Continued)

(63) Continuation-in-part of application No. 29/654,593,  
filed on Jun. 26, 2018.

*Primary Examiner* — Robin V Webster

(51) **LOC (11) Cl.** ..... **23-01**

(74) *Attorney, Agent, or Firm* — Michael J. Feigin, Esq.;  
Feigin and Fridman LLC

(52) **U.S. Cl.**

USPC ..... **D23/207**

(58) **Field of Classification Search**

USPC ..... D23/207, 209; 202/81, 87, 176, 204  
CPC ..... C02F 1/04; B01D 5/0051; B01D 3/04;  
B01D 3/008; B01D 3/00

See application file for complete search history.

(57)

**CLAIM**

The ornamental design for a a distillation head, as shown  
and described.

**DESCRIPTION**

FIG. 1 shows a top and side perspective view of a distillation  
head.

FIG. 2 shows a bottom and reverse side perspective view  
thereof.

FIG. 3 shows a side view, the reverse side being a mirror  
image thereof.

FIG. 4 shows a front view thereof.

FIG. 5 shows a rear view thereof.

FIG. 6 shows a top plan view thereof.

FIG. 7 shows a bottom plan view thereof; and,

FIG. 8 shows a cutaway view taken along line **8-8** in FIG.  
**5**.

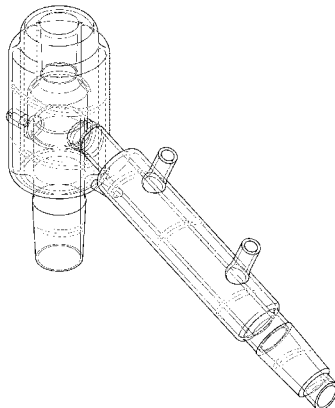
**1 Claim, 6 Drawing Sheets**

(56)

**References Cited**

**U.S. PATENT DOCUMENTS**

D173,603 S	12/1954	Atkinson	
3,020,215 A *	2/1962	Weber	..... B01D 1/0017 202/197
3,271,935 A	9/1966	Smith	
3,334,025 A *	8/1967	Reid	..... B01D 3/00 202/161
D247,248 S	2/1978	Durot	
4,089,749 A *	5/1978	Karamian	..... B01D 3/00 202/176
D248,485 S	7/1978	Strauss	
4,159,817 A	7/1979	Ikawa	
4,230,536 A *	10/1980	Sech	..... B01D 1/0094 122/234



(56)

**References Cited**

U.S. PATENT DOCUMENTS

D458,340	S	6/2002	Lindahl	
6,551,464	B1	4/2003	Kimel	
D634,397	S	3/2011	Lautzenheiser	
D706,386	S	6/2014	Ambler	
D727,460	S	4/2015	Collins	
D731,615	S	6/2015	Ambler	
9,138,657	B1	9/2015	Wiederin	
D775,310	S	12/2016	Kremerman	
D776,238	S	1/2017	Kremerman	
D780,286	S	2/2017	Ausner	
D787,630	S	5/2017	Lipkens	
D790,033	S	6/2017	Kremerman	
9,682,331	B2*	6/2017	Kremerman	..... B01D 3/10
D802,084	S	12/2017	Kremerman	
D802,085	S	12/2017	Kremerman	
D805,599	S	12/2017	Kremerman	
D805,600	S	* 12/2017	Kremerman	..... B01D 1/0017 D23/207
D806,829	S	1/2018	Kremerman	
D819,779	S	6/2018	Kremerman	
D828,904	S	9/2018	Maibach, Jr.	

\* cited by examiner

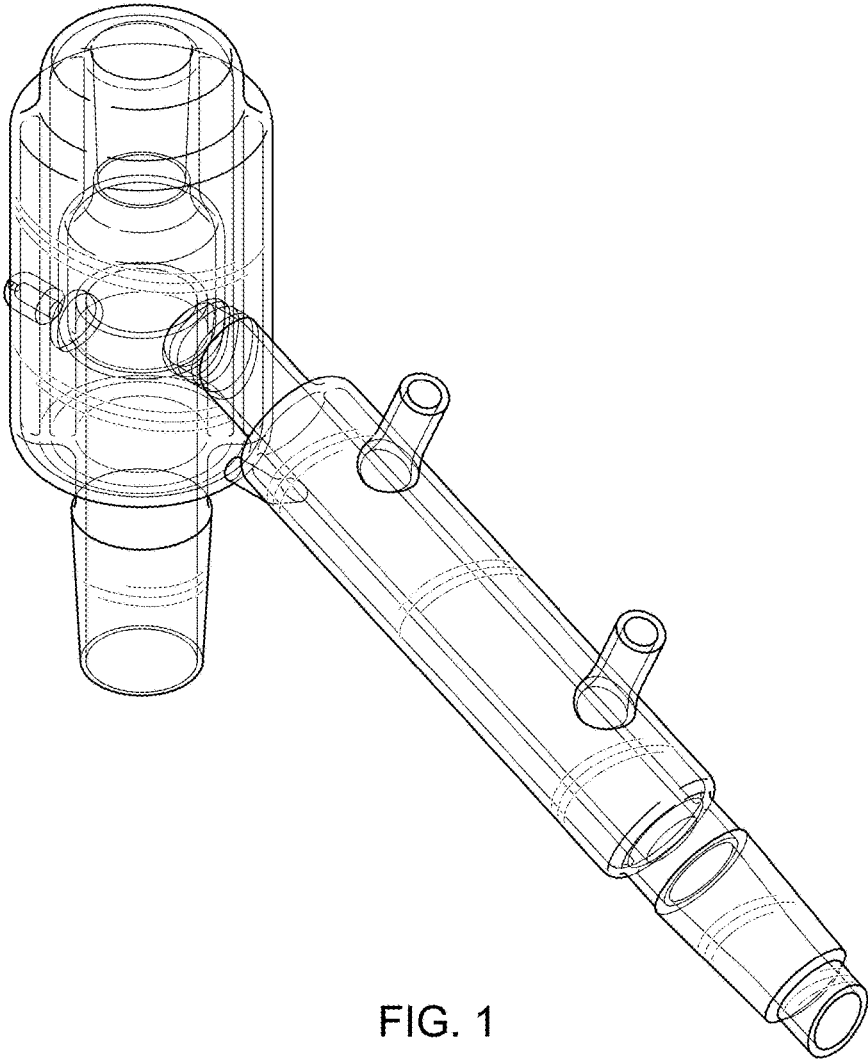
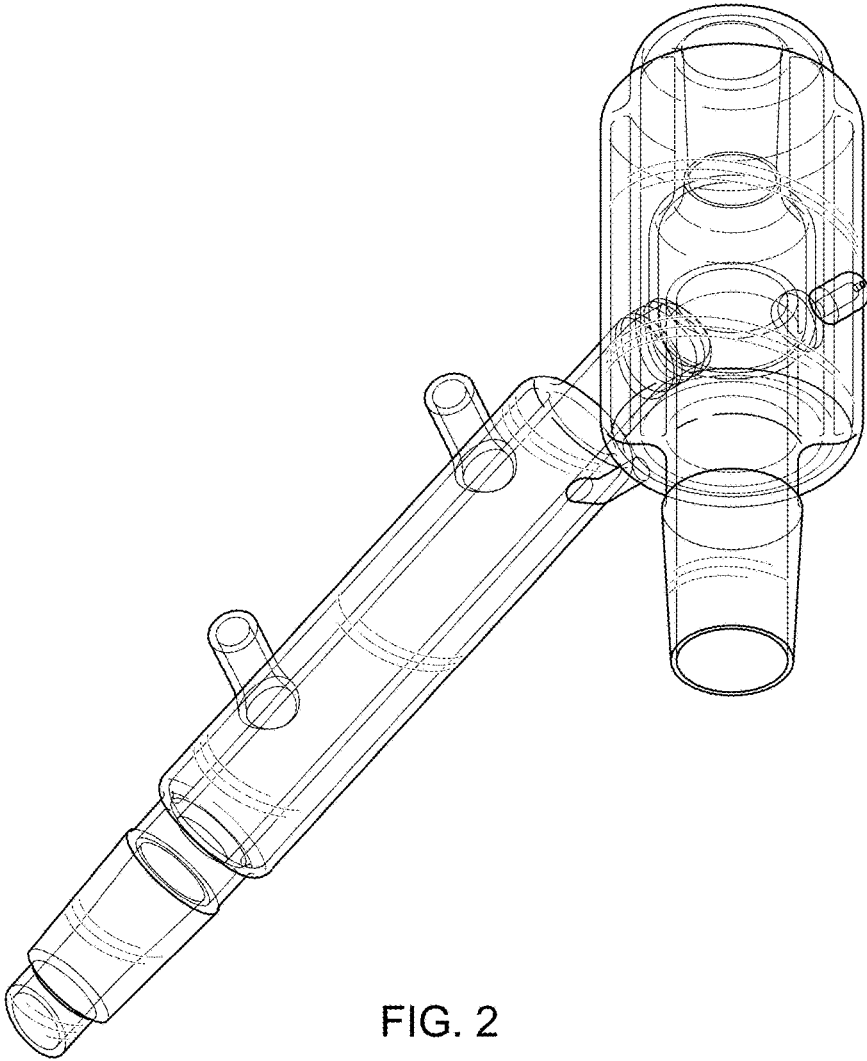


FIG. 1



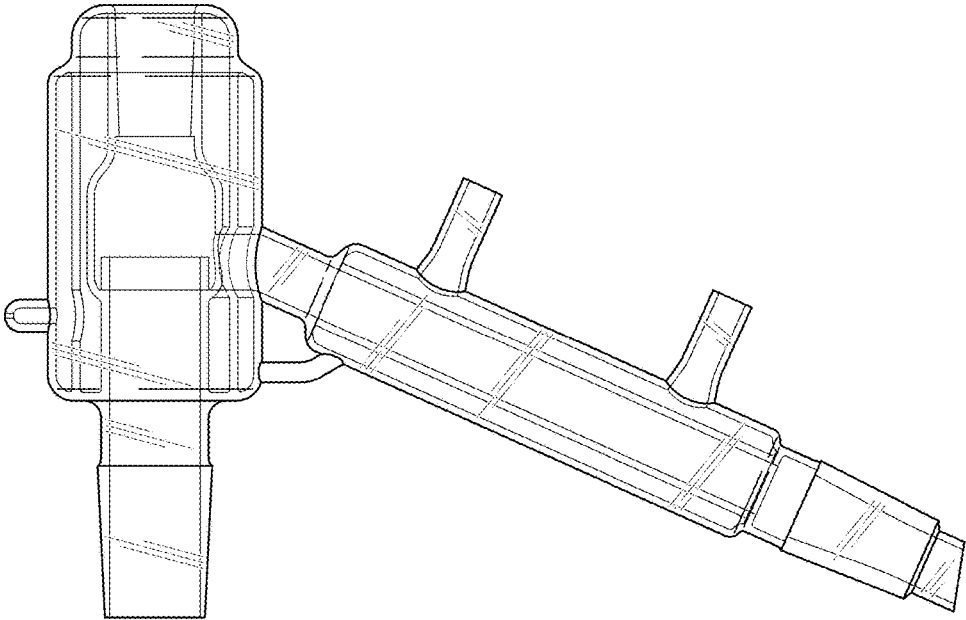


FIG. 3

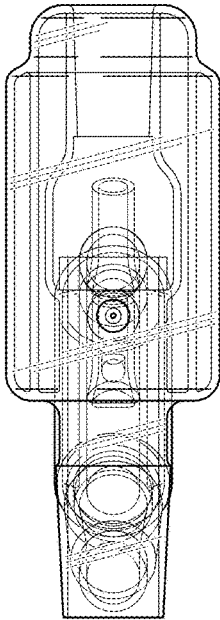


FIG. 4

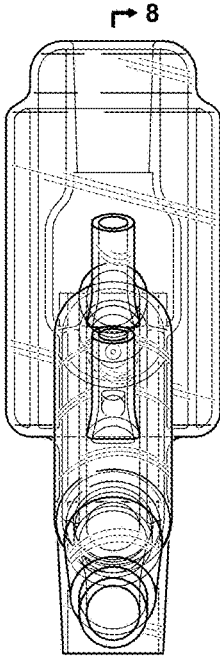


FIG. 5

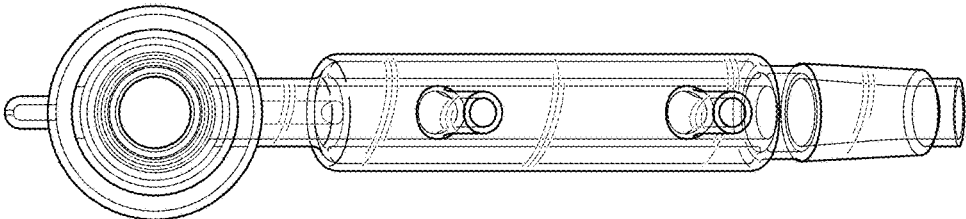


FIG. 6

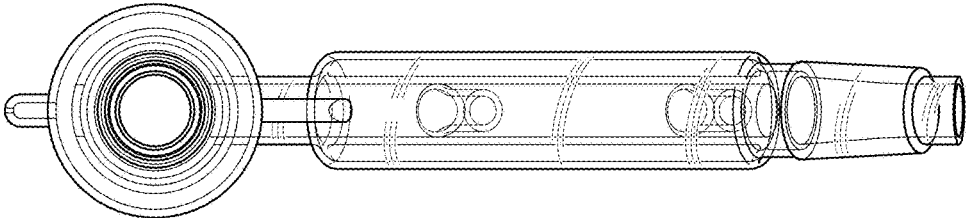


FIG. 7

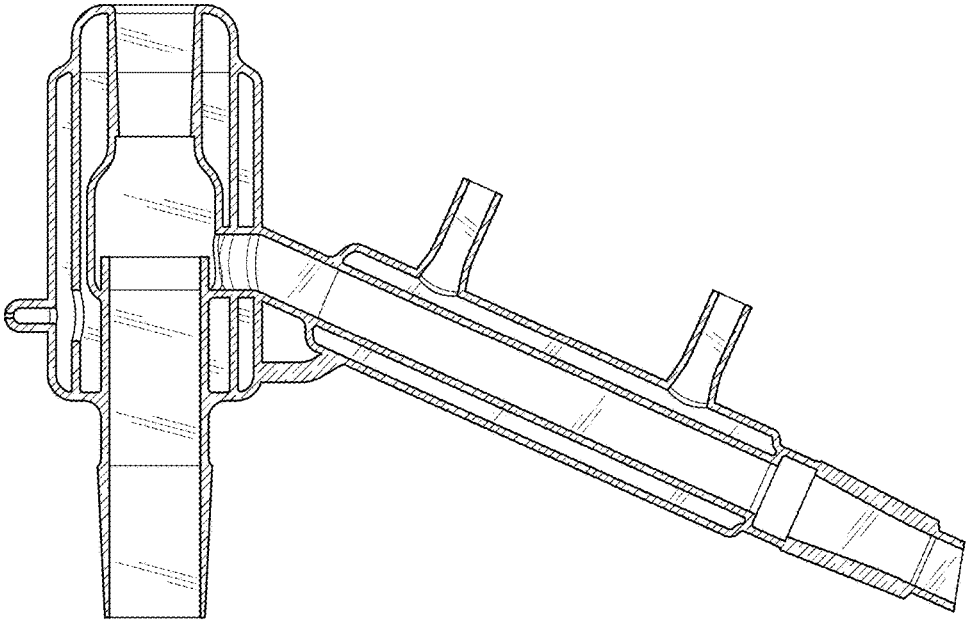


FIG. 8