



US00D849496S

(12) **United States Design Patent**  
**Benjamin**

(10) **Patent No.:** **US D849,496 S**

(45) **Date of Patent:** **\*\* May 28, 2019**

- (54) **SHOVEL ADAPTER**
- (71) Applicant: **Moshe Benjamin**, Forest Hills, NY (US)
- (72) Inventor: **Moshe Benjamin**, Forest Hills, NY (US)
- (\*\*) Term: **15 Years**
- (21) Appl. No.: **29/602,851**

8,240,069 B2 \* 8/2012 Adinata ..... A61K 48/00  
37/285  
9,204,587 B2 \* 12/2015 Cordeiro ..... E01H 5/02  
D810,526 S \* 2/2018 Dougherty ..... D8/8  
2018/0072360 A1 \* 3/2018 Jarvis ..... B62D 63/068

- (22) Filed: **May 4, 2017**
- (51) **LOC (11) Cl.** ..... **08-05**
- (52) **U.S. Cl.** ..... **D8/71**
- USPC ..... **D8/71**
- (58) **Field of Classification Search**
- USPC ..... D8/8, 10, 47, 80, 83, 105, 107, 303;  
D7/504; D15/17; D34/19, 20, 21
- CPC .... B25G 1/08; B25G 1/10; B62B 1/10; B62B  
1/264; B62B 1/14; A45F 2200/0575;  
B25B 13/54; B25F 5/027; F16G 13/16;  
F16L 33/02; F16L 33/22; F16L 35/00
- See application file for complete search history.

**OTHER PUBLICATIONS**

Snow Shovel with Wheels, Item # 200922, posted Jan. 2, 2013, [retrieved Jun. 22, 2018]. Retrieved from Internet, <URL: <https://www.sharperimage.com/si/view/product/Snow+Shovel+with+Wheels/200922> >.\*

(Continued)

*Primary Examiner* — Barbara Fox  
*Assistant Examiner* — Kristin E Reed  
(74) *Attorney, Agent, or Firm* — Lawrence G. Fridman, Esq.; Feigin & Fridman, LLC

(57) **CLAIM**

The ornamental design for a shovel adapter, as shown and described.

**DESCRIPTION**

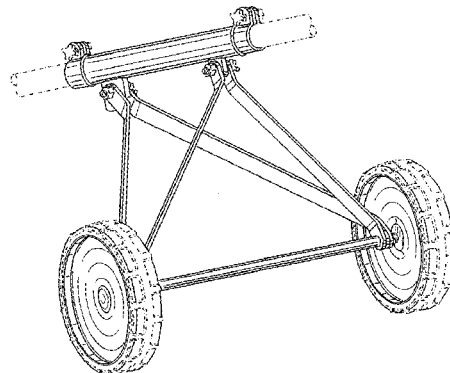
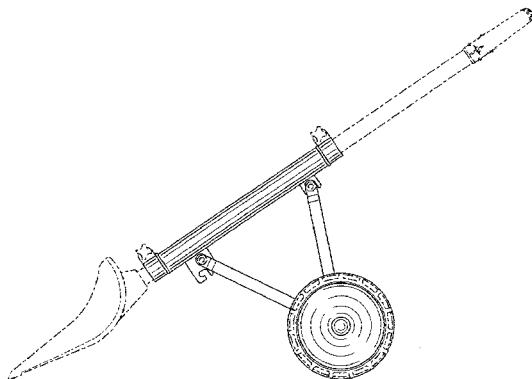
FIG. 1 is a right side view of a shovel adapter, showing my new design;  
FIG. 2 is a top plan view thereof;  
FIG. 3 is a left side view thereof;  
FIG. 4 is a bottom plan view thereof;  
FIG. 5 is a front elevational plan view thereof  
FIG. 6 is a rear elevational view thereof;  
FIG. 7 is a perspective view thereof;  
FIG. 8 is a side elevational view thereof in a folded position; and,  
FIG. 9 is a rear elevational view thereof.  
The broken lines are for the purpose of illustrating an environmental structure and form no part of the claimed design.

(56) **References Cited**

**U.S. PATENT DOCUMENTS**

2,441,449	A *	5/1948	Shaw	298/2
2,772,490	A	12/1956	Hnastchenko	
2,846,785	A	8/1958	Underwood	
D206,177	S *	11/1966	Unruh	37/265
4,040,531	A *	8/1977	Cross	A01D 87/127 414/24.5
5,054,278	A *	10/1991	Thorndike	A01B 1/00 280/47.3
D356,583	S *	3/1995	Cordova	D15/17
D383,281	S *	9/1997	Furry	D15/17
5,918,921	A	7/1999	Samuelson	
D461,106	S *	8/2002	Stryd	D8/10
6,922,920	B1 *	8/2005	Stratz	E01H 5/02 294/181
8,001,707	B2	8/2011	Coles	

**1 Claim, 5 Drawing Sheets**



(56)

**References Cited**

OTHER PUBLICATIONS

Easy to use collapsible snow shovel on wheels with beverage holder. Patent pending, copyright 2013, posted Feb. 2, 2013, [retrieved Jun. 22, 2018]. Retrieved from Internet, <URL: <https://www.youtube.com/watch?v=B9gVVFAFdy8> >.\*

Heavy Duty Rolling Snow Shovel with Rotatable Steel Blade, 5 Way Adjustable Handle and Extra Large Rubber Wheels for Easy Rolling. Color Grey, posted Feb. 18, 2016, [retrieved Jun. 22, 2018]. Retrieved from Internet, <URL: <https://www.amazon.com/Rolling-Shovel-Rotatable-Adjustable-Rolling/dp/B01925QPX4?tag=heavyd16-20> >.\*

\* cited by examiner

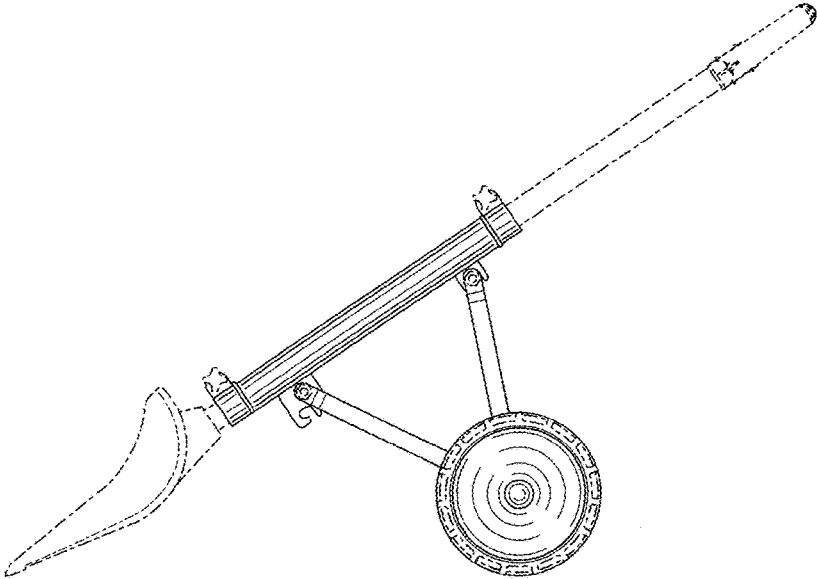


FIG. 1

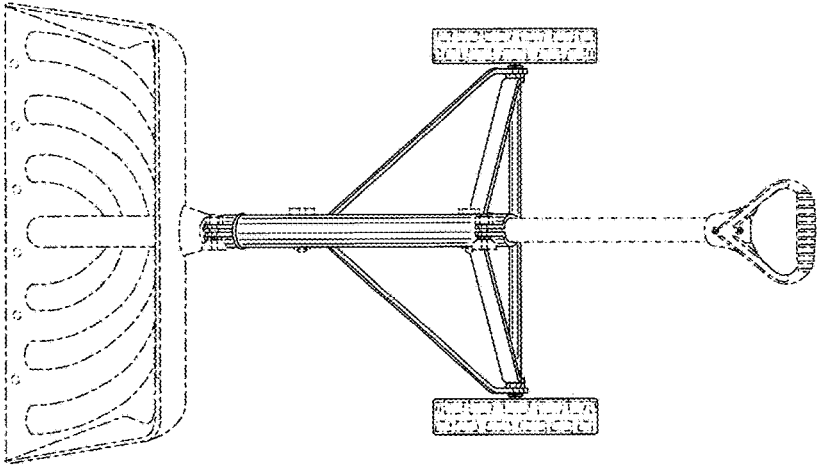


FIG. 2

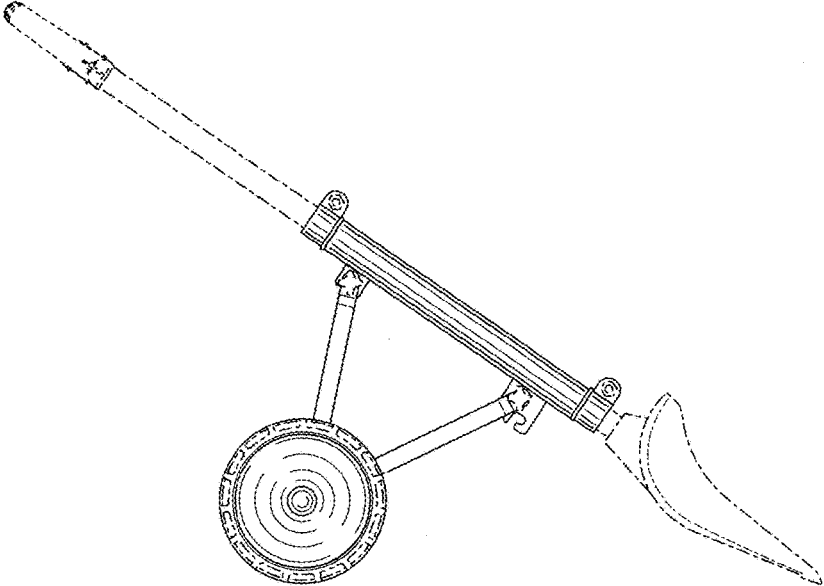


FIG. 3

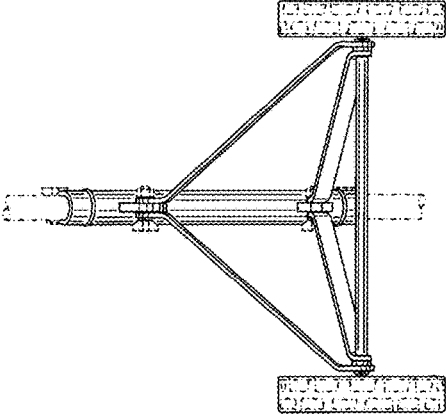


FIG. 4

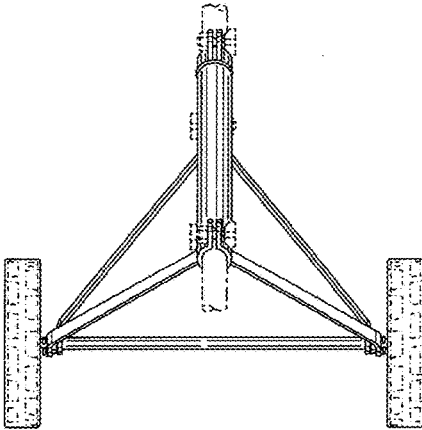


FIG. 5

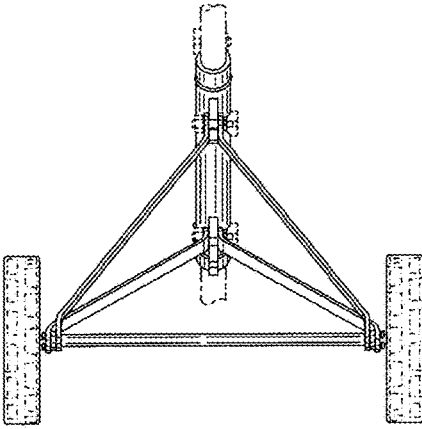


FIG. 6

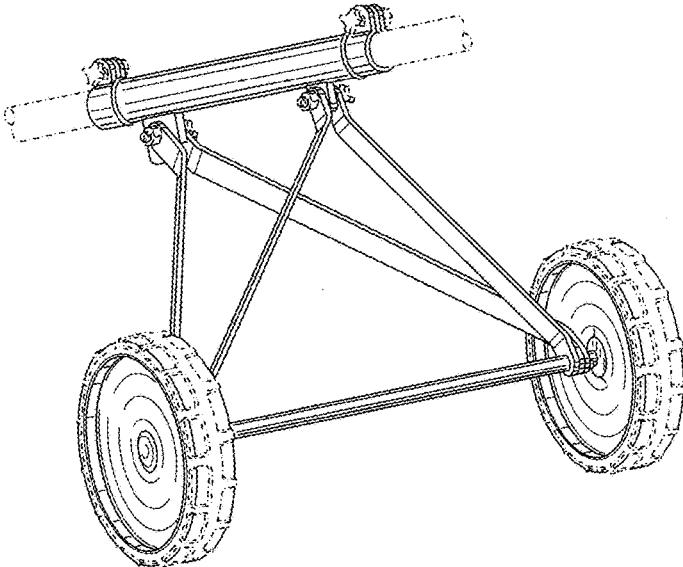


FIG. 7

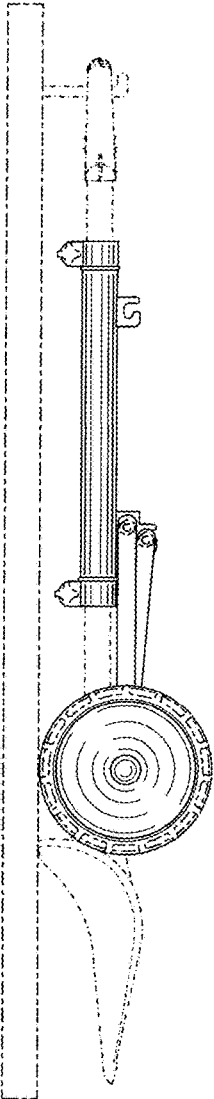


FIG. 8

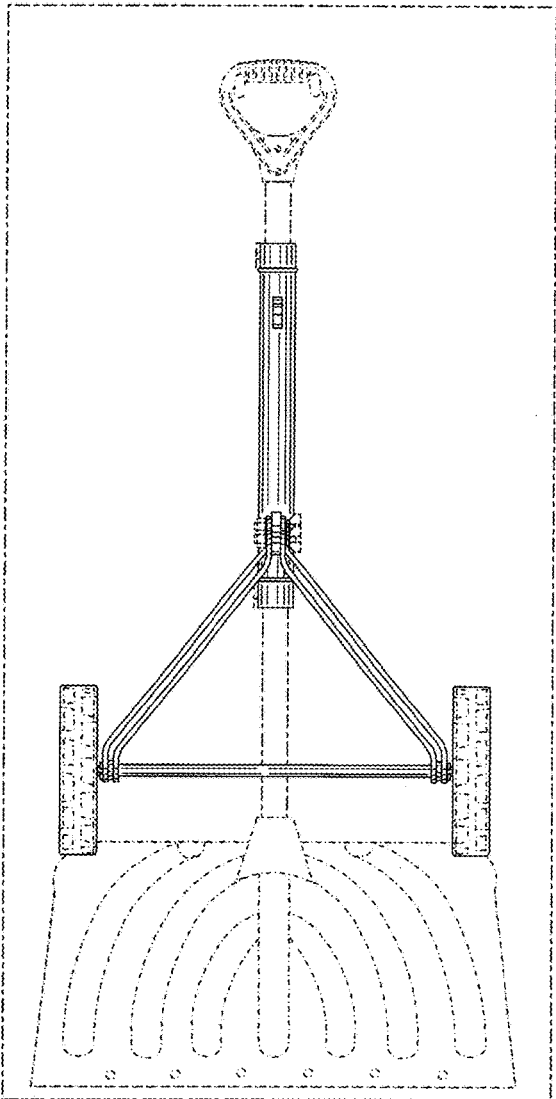


FIG. 9