



(12) **United States Design Patent**  
**Chen et al.**

(10) **Patent No.:** **US D849,853 S**  
(45) **Date of Patent:** **\*\* May 28, 2019**

- (54) **TOY BLOCK**
- (71) Applicant: **Flycatcher Corp LTD**, London (GB)
- (72) Inventors: **Shay Chen**, Hod Hasharon (IL);  
**Shachar Limor**, Givat Shapira (IL)
- (\*\*) Term: **15 Years**
- (21) Appl. No.: **29/636,275**
- (22) Filed: **Feb. 7, 2018**
- (51) **LOC (11) Cl.** ..... **21-01**
- (52) **U.S. Cl.**  
USPC ..... **D21/499**
- (58) **Field of Classification Search**  
USPC ..... D21/468, 470, 471, 478, 479, 484-505  
CPC ..... A63H 33/04; A63H 33/044; A63H 33/06;  
A63H 33/062; A63H 33/10; A63H  
33/101; A63H 33/108  
See application file for complete search history.

D714,401 S *	9/2014	Lin	.....	D21/499
D749,680 S *	2/2016	Lin	.....	D21/499
9,593,480 B2 *	3/2017	Vandenbempt	.....	E04B 2/18
D818,056 S *	5/2018	Lo	.....	D21/499
2004/0185745 A1 *	9/2004	Reining	.....	A63H 33/042 446/91
2012/0252307 A1 *	10/2012	Lin	.....	A63H 33/042 446/91
2013/0109268 A1 *	5/2013	Lin	.....	A63H 33/042 446/91

\* cited by examiner

*Primary Examiner* — Cynthia M. Chin  
(74) *Attorney, Agent, or Firm* — Michael J. Feigin, Esq.;  
Feigin and Fridman

(57) **CLAIM**

The ornamental design for a toy block, as shown and described.

**DESCRIPTION**

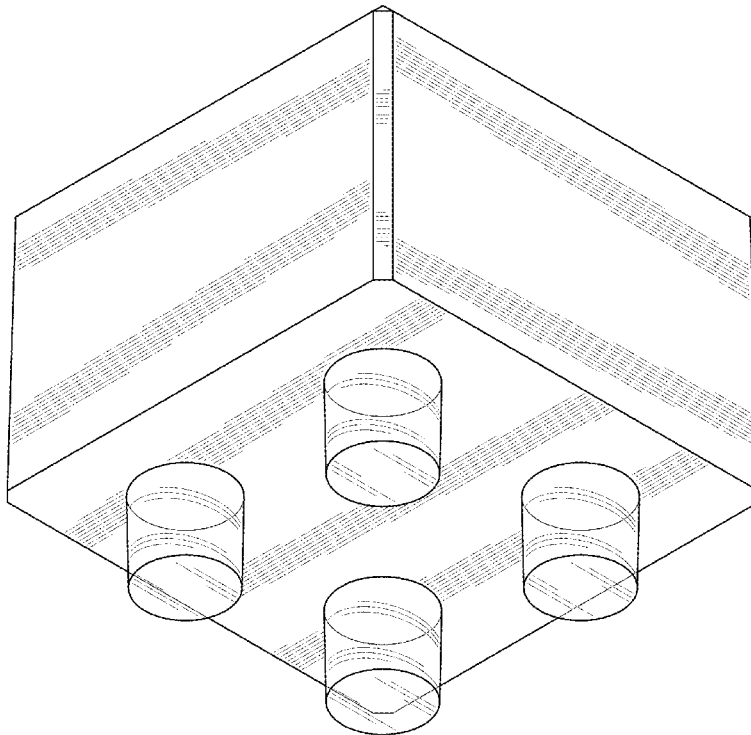
FIG. 1 shows a top and side perspective view of the toy block.  
FIG. 2 shows a bottom and side perspective thereof.  
FIG. 3 shows a top view thereof.  
FIG. 4 shows a bottom view thereof.  
FIG. 5 shows a side view thereof, the remaining side views being identical; and,  
FIG. 6 shows a cutaway view along section line 6-6 of FIG. 3.

**1 Claim, 6 Drawing Sheets**

(56) **References Cited**

**U.S. PATENT DOCUMENTS**

4,964,833 A *	10/1990	Suzuki	.....	A63H 33/086 446/118
D368,939 S *	4/1996	Frederiksen	.....	D21/500
8,616,899 B1 *	12/2013	Lin	.....	H01R 12/58 439/63
8,715,030 B2 *	5/2014	Chin	.....	A63H 33/086 273/276



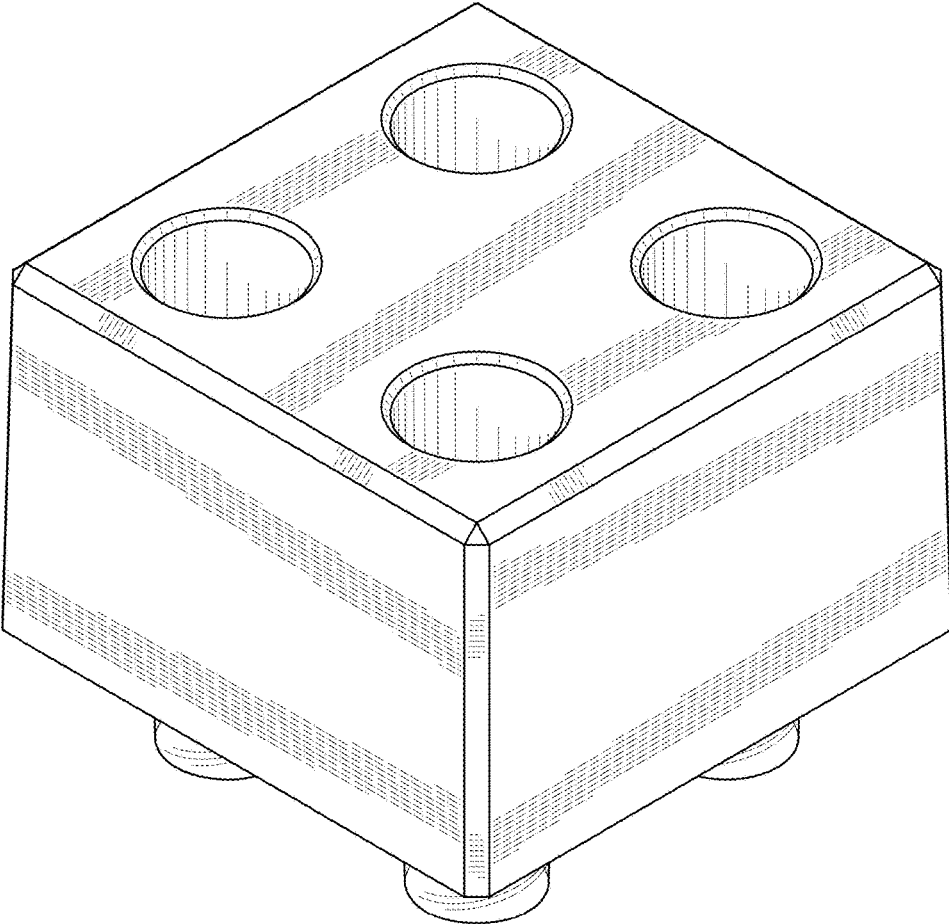


FIG. 1

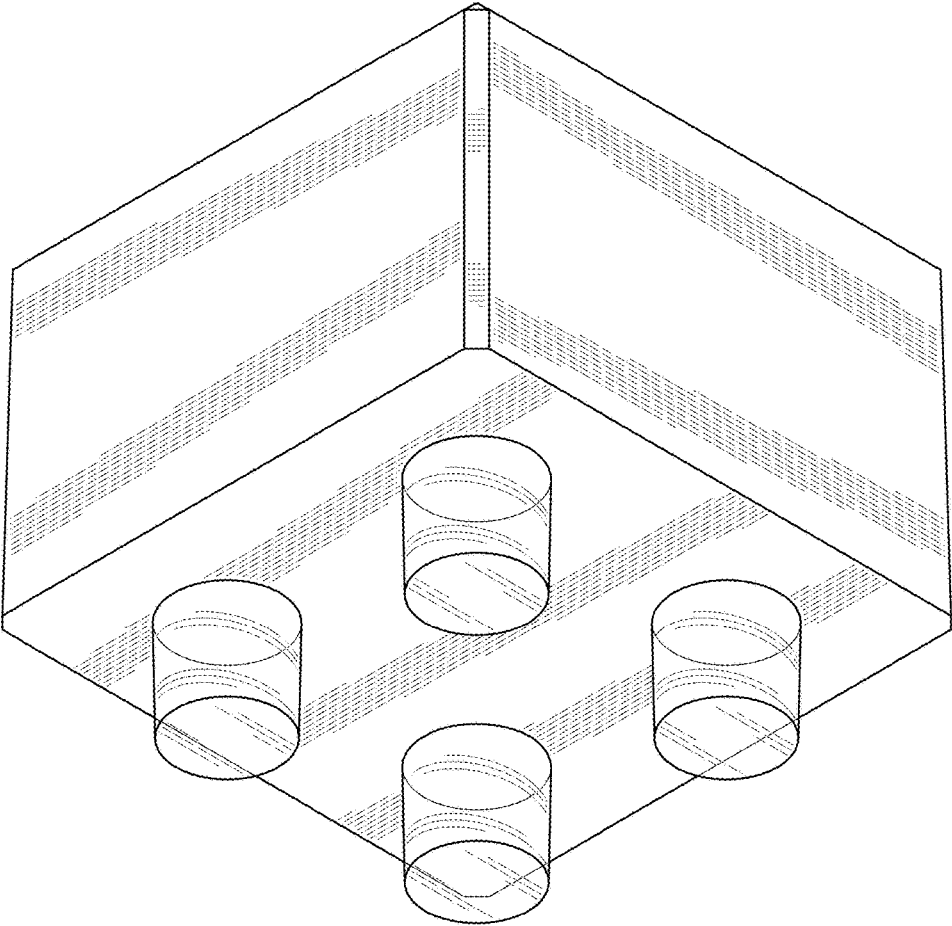


FIG. 2

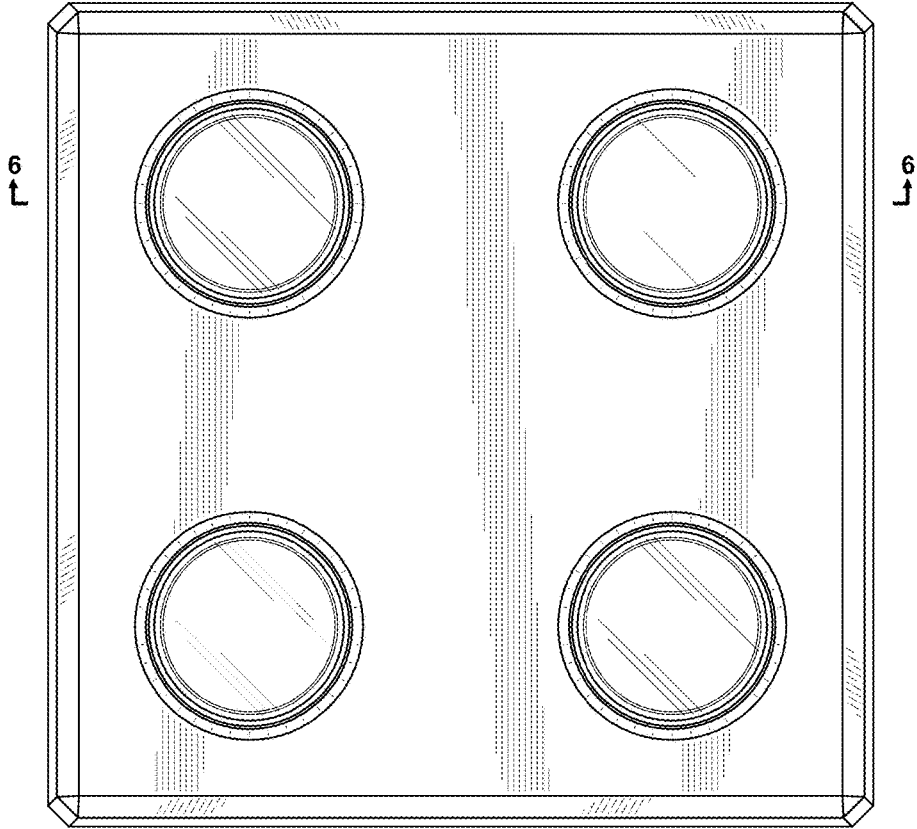


FIG. 3

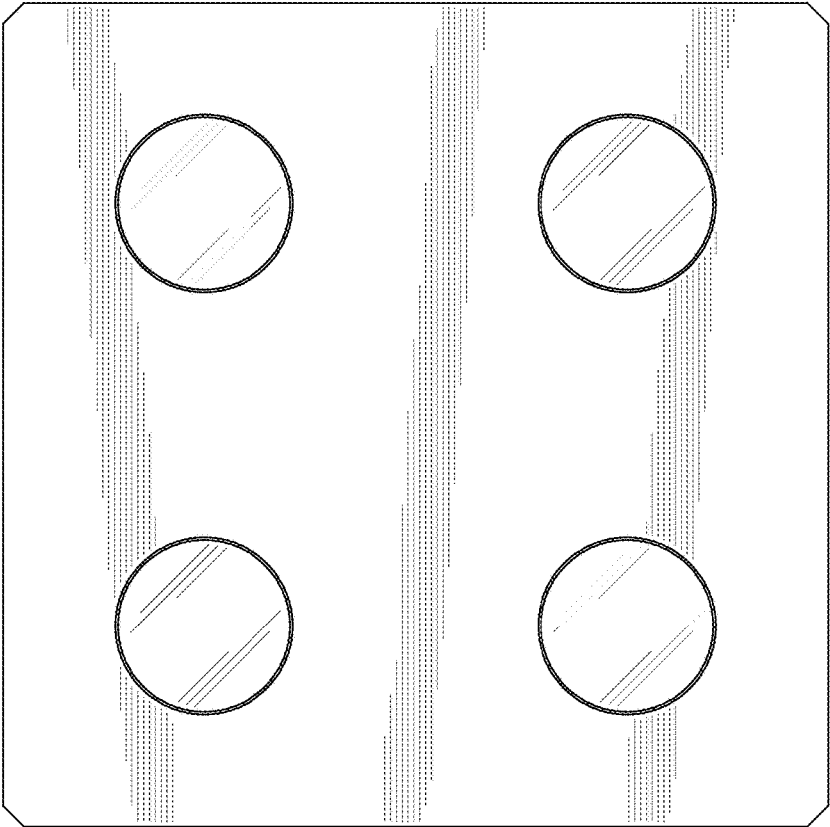


FIG. 4

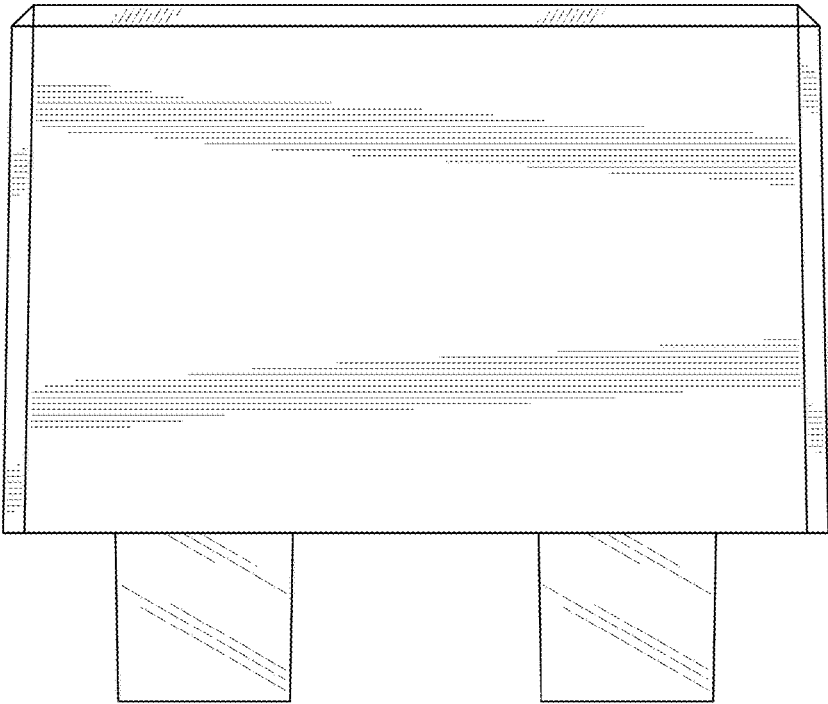


FIG. 5

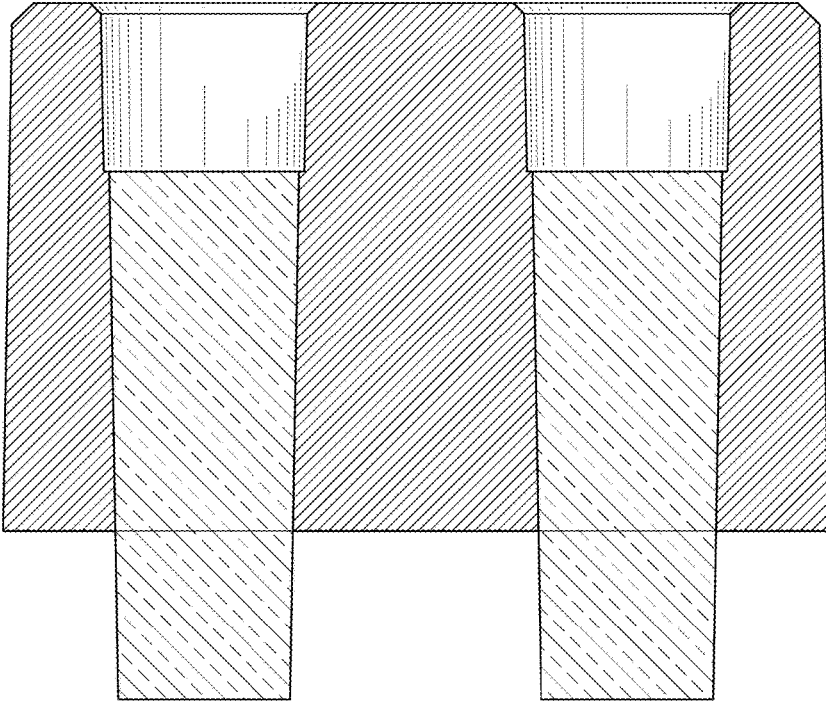


FIG. 6