



US00D850576S

(12) **United States Design Patent**
Kremerman

(10) **Patent No.:** **US D850,576 S**
(45) **Date of Patent:** **** Jun. 4, 2019**

(54) COLD TRAP	D634,397 S * 3/2011 Lautzenheiser B01D 1/0094 D23/207
(71) Applicant: Elliot Kremerman , Scotts Valley, CA (US)	9,138,657 B1 * 9/2015 Wiederin B01D 3/008 D776,238 S * 1/2017 Kremerman B01D 3/00 D23/207
(72) Inventor: Elliot Kremerman , Scotts Valley, CA (US)	D805,600 S * 12/2017 Kremerman B01D 1/0017 D23/207 D819,779 S * 6/2018 Kremerman B01D 3/00 D23/207
(**) Term: 15 Years	D828,904 S * 9/2018 Maibach, Jr. B01D 3/008 D23/207

(21) Appl. No.: **29/654,590**

* cited by examiner

(22) Filed: **Jun. 26, 2018**

Primary Examiner — Robin V Webster

(51) **LOC (11) Cl.** **23-01**

(74) *Attorney, Agent, or Firm* — Michael J Feigin, Esq.;
Feigin and Fridman

(52) **U.S. Cl.**

USPC **D23/207**

(58) **Field of Classification Search**

USPC D23/207, 209; 202/81, 87, 176, 204
CPC C02F 1/04; B01D 5/0051; B01D 3/04;
B01D 3/008; B01D 3/00

See application file for complete search history.

(57) **CLAIM**

The ornamental design for a cold trap, as shown and described.

DESCRIPTION

(56) **References Cited**

U.S. PATENT DOCUMENTS

1,418,691 A *	6/1922	Anders	B01D 3/00 422/531
3,020,215 A *	2/1962	Weber	B01D 1/0017 202/197
3,334,025 A *	8/1967	Reid	B01D 3/00 202/161
4,089,749 A *	5/1978	Karamian	B01D 3/00 202/176
4,230,536 A *	10/1980	Sech	B01D 1/0094 122/234
D432,203 S *	10/2000	Edwards	D23/207

FIG. 1 shows a top and side perspective view of a cold trap. FIG. 2 shows a bottom and reverse side perspective view thereof.

FIG. 3 shows a side view, the reverse side being a mirror image thereof.

FIG. 4 shows a front view thereof.

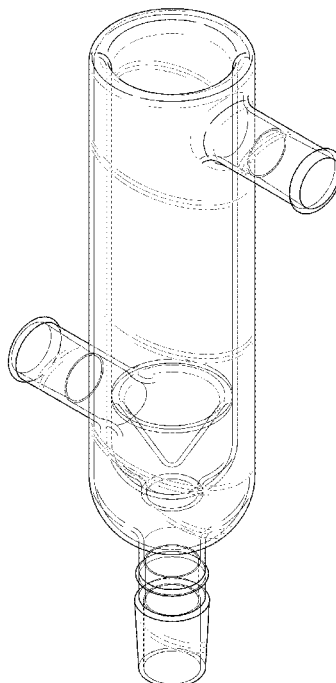
FIG. 5 shows a rear view thereof.

FIG. 6 shows a top plan view thereof.

FIG. 7 shows a bottom plan view thereof; and,

FIG. 8 shows a cutaway view of the side along section line 8-8 of FIG. 6.

1 Claim, 7 Drawing Sheets



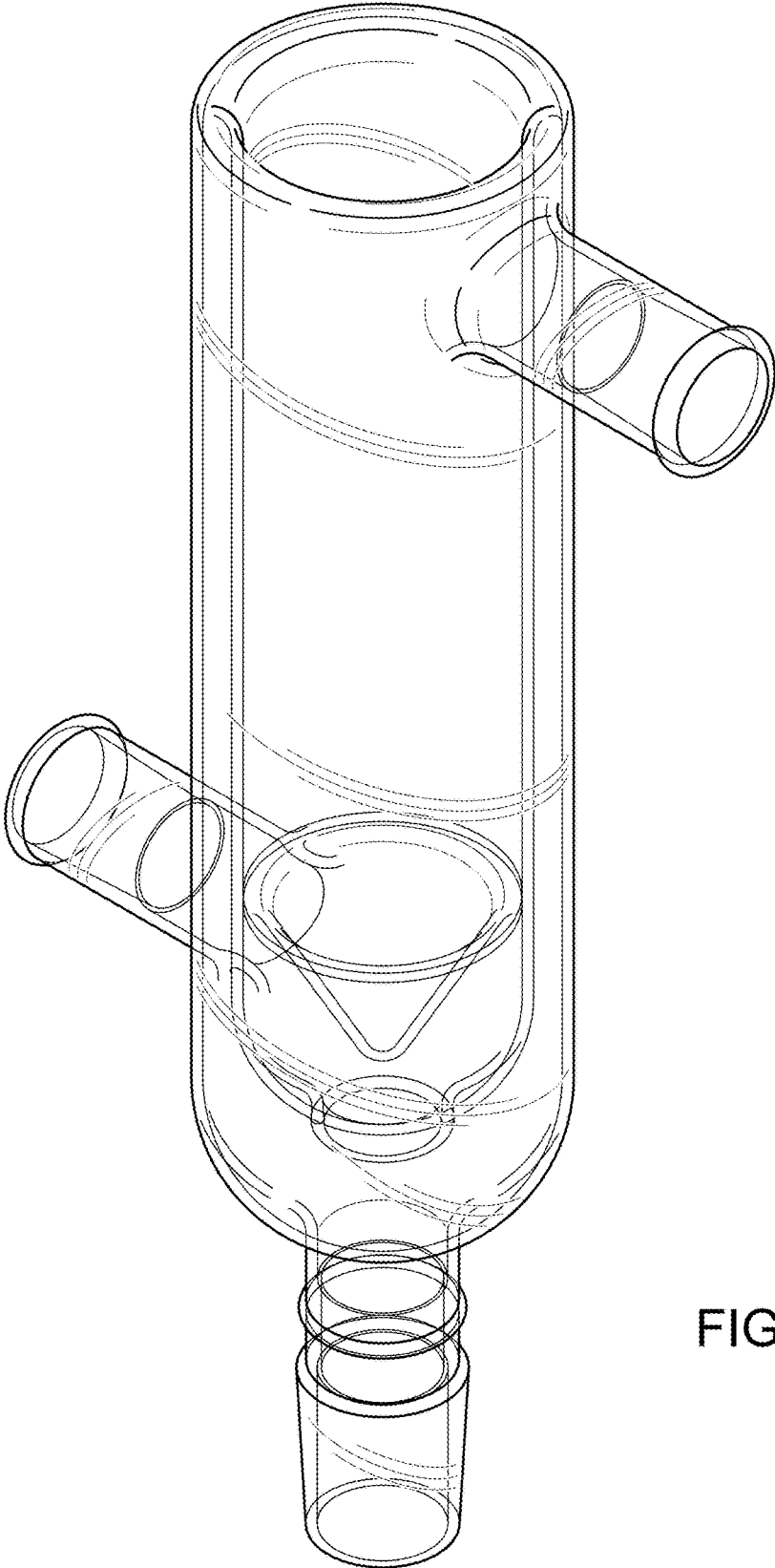


FIG. 1

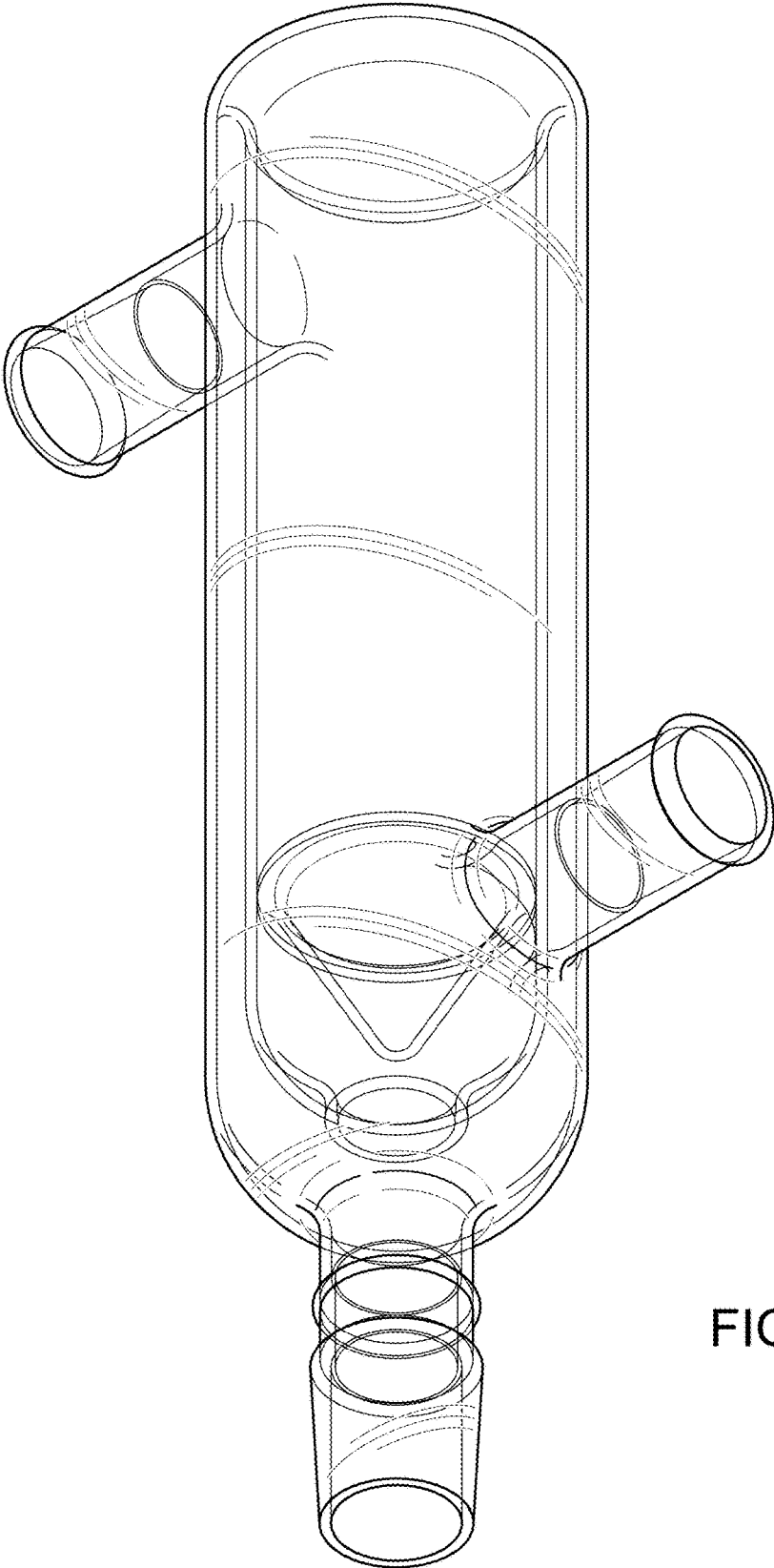


FIG. 2

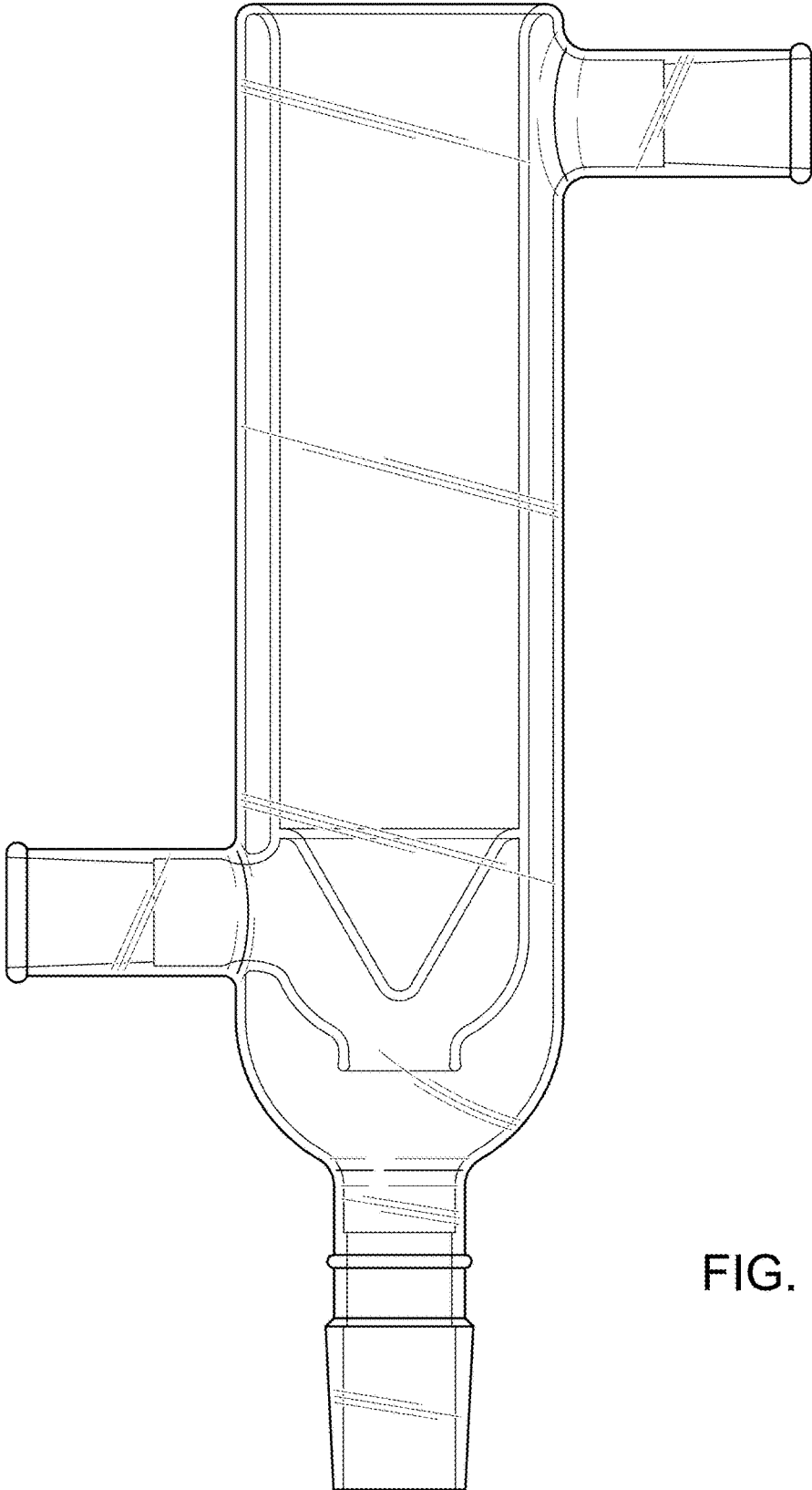


FIG. 3

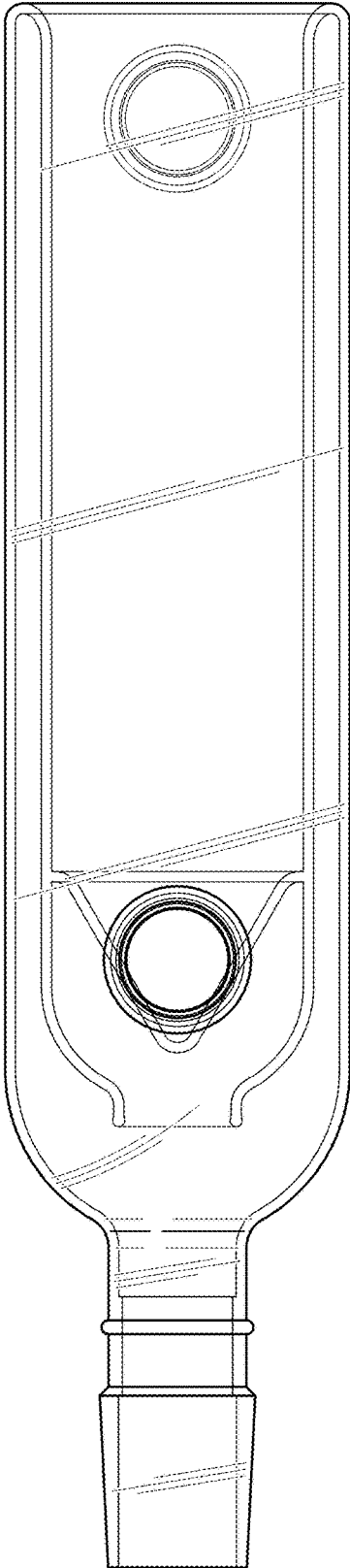


FIG. 4

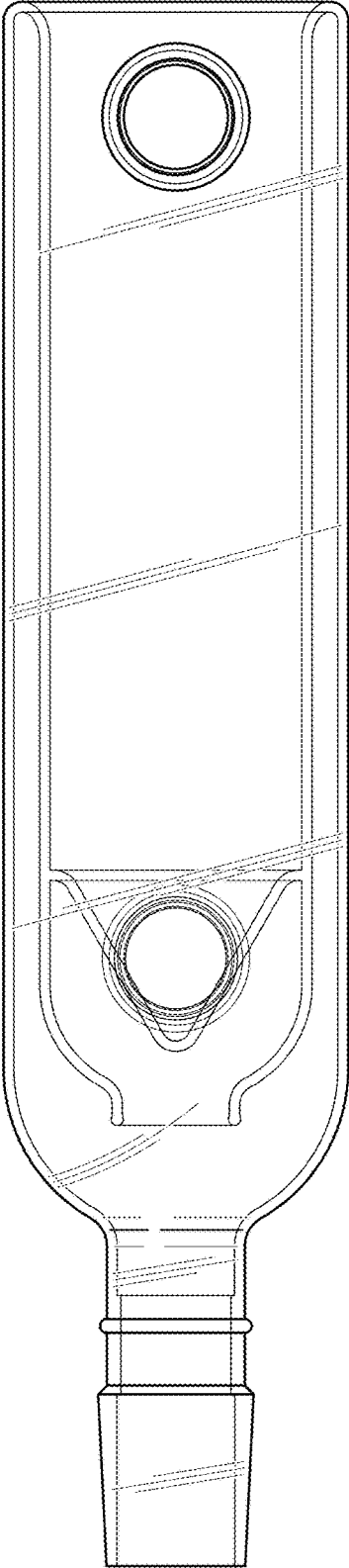


FIG. 5

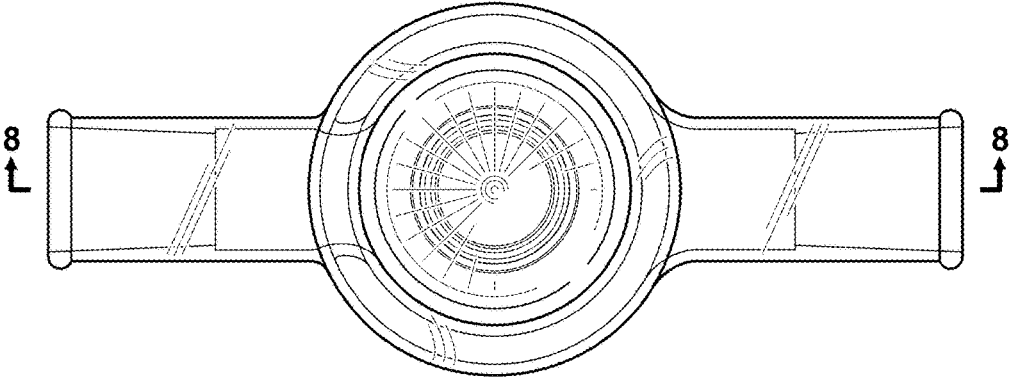


FIG. 6

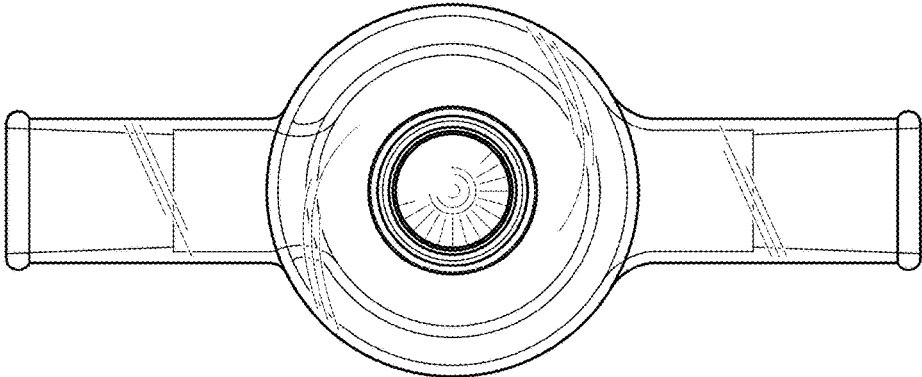


FIG. 7

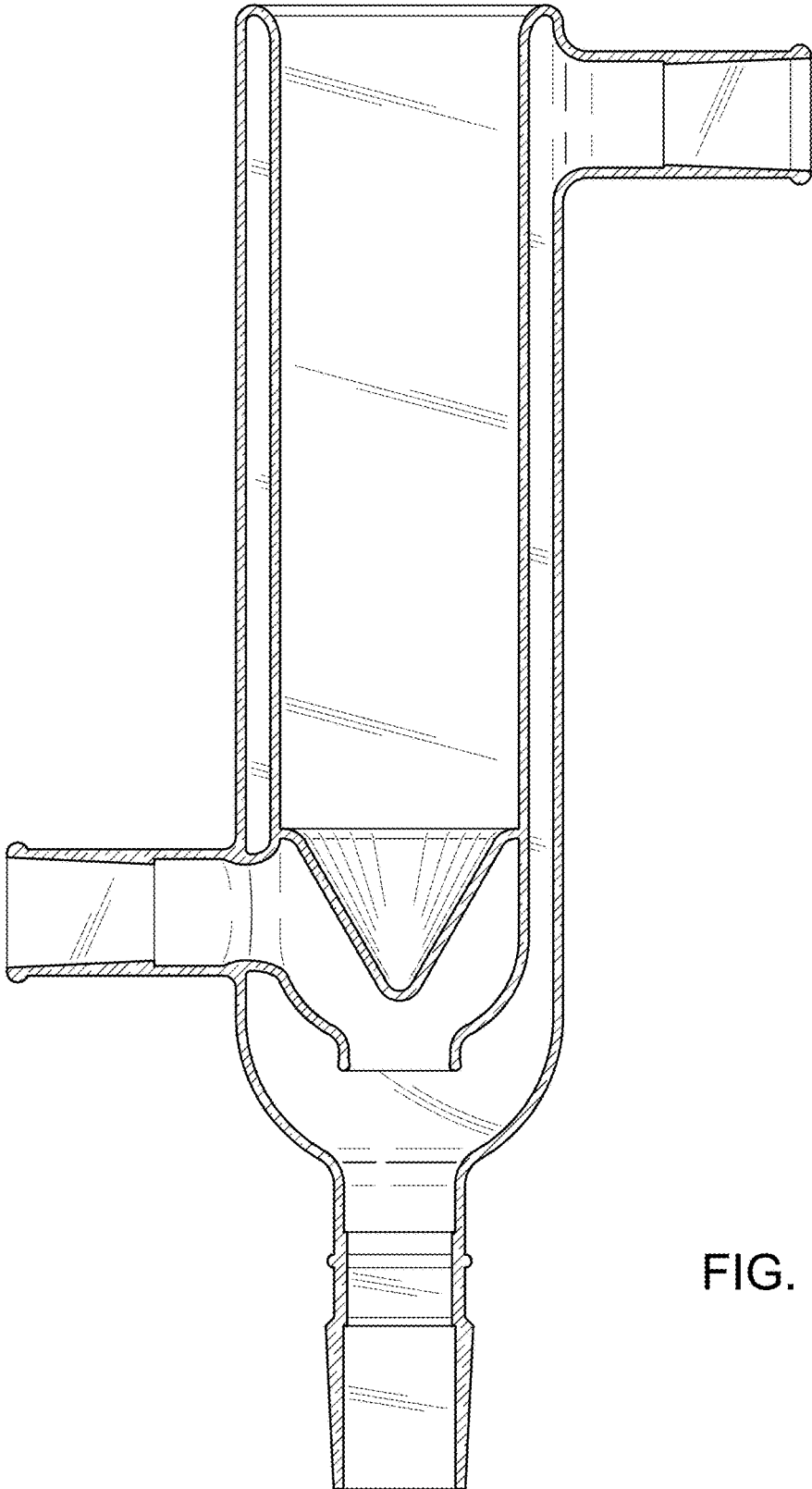


FIG. 8