



US00D853798S

(12) **United States Design Patent**
Park

(10) **Patent No.:** **US D853,798 S**

(45) **Date of Patent:** **** Jul. 16, 2019**

(54) **HOLDER FOR A CONTAINER**

(71) Applicant: **Minwoo Park**, Bucheon-si (KR)

(72) Inventor: **Minwoo Park**, Bucheon-si (KR)

(**) Term: **15 Years**

(21) Appl. No.: **29/622,881**

(22) Filed: **Oct. 20, 2017**

(51) **LOC (11) Cl.** **07-06**

(52) **U.S. Cl.**

USPC **D7/622; D9/455**

(58) **Field of Classification Search**

USPC D7/622, 543, 545, 547, 600.1, 601,
D7/619.1, 709, 392.1, 396.2; D9/434,
D9/435, 436, 440, 443, 446, 447, 449,
D9/455, 499; D3/240

CPC B65D 23/10; B65D 23/10A

See application file for complete search history.

(56) **References Cited**

U.S. PATENT DOCUMENTS

D403,958 S *	1/1999	Steppek	D9/434
D418,753 S *	1/2000	DuBow	D9/434
D462,614 S *	9/2002	Owens	D9/435
D508,200 S *	8/2005	Cagle	D9/434
D526,164 S *	8/2006	Pastore	D7/601
D600,973 S *	9/2009	Lane	D7/387
D626,409 S *	11/2010	Hooley	D7/622
D708,264 S *	7/2014	Roundy	D19/197
D725,468 S *	3/2015	Miller	D9/434
D764,912 S *	8/2016	Houyoux	D28/73
D774,351 S *	12/2016	Breit	D7/394
D790,965 S *	7/2017	Horn	D9/436

OTHER PUBLICATIONS

Its Tactical. Its Skeletonized Bottle Holders. 2018. <URL:https://store.itstactical.com/products/its-skeletonized-bottle-holders>. (Year: 2018).*

China Wholesale. Carabiner with Bottle Holder. 2018. <URL:https://www.promotionalpromo.com/Custom-made/carabiner-with-bottle-holder/BL61187661-BL6118747.htm>. (Year: 2018).*

* cited by examiner

Primary Examiner — George D. Kirschbaum

Assistant Examiner — Darcey E Gottschalk

(74) *Attorney, Agent, or Firm* — Lawrence G. Fridman, Esq; Feigin & Fridman, LLC

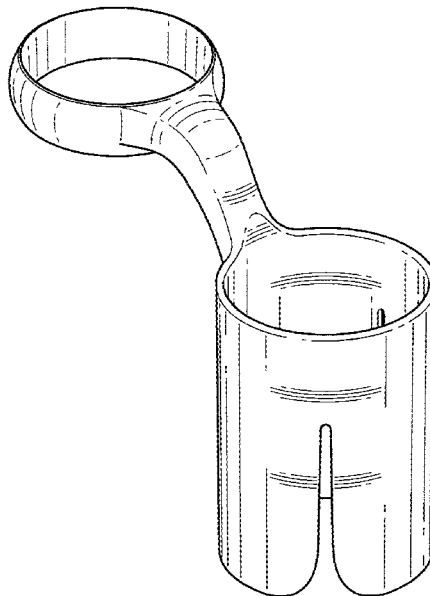
(57) **CLAIM**

The ornamental design for a holder for a container, as shown and described.

DESCRIPTION

FIG. 1 is a perspective view of the holder for a container according to the invention;
FIG. 2 is a front elevational view thereof;
FIG. 3 is a rear elevational view thereof;
FIG. 4 is one side elevational view thereof;
FIG. 5 is another side elevational view thereof;
FIG. 6 is a top plan view thereof; and,
FIG. 7 is a bottom plan view thereof.

1 Claim, 4 Drawing Sheets



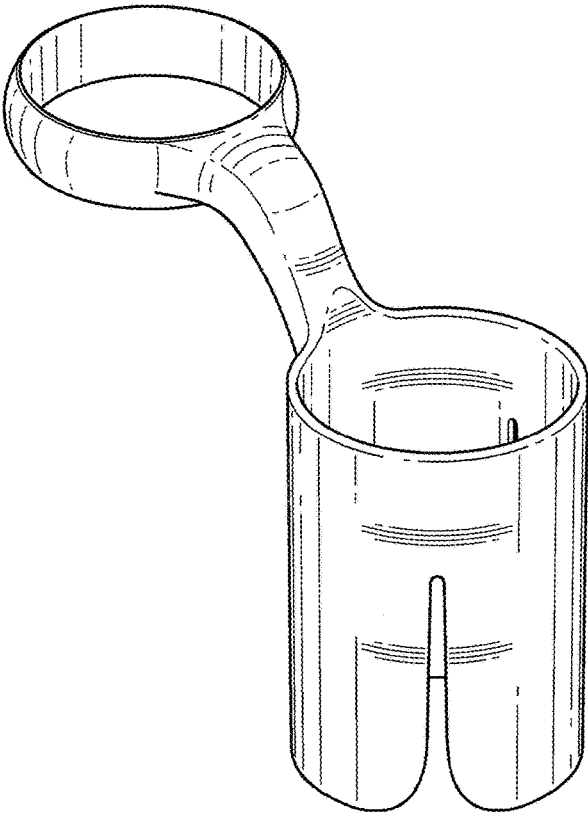


FIG. 1

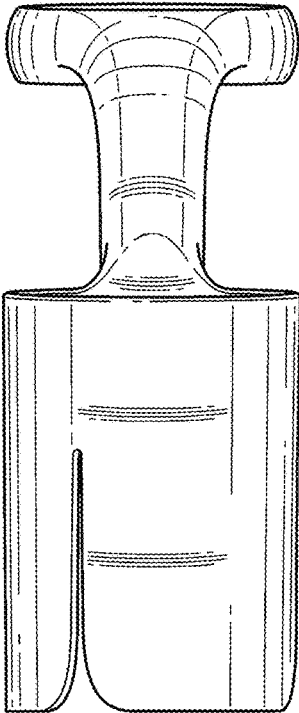


FIG. 2

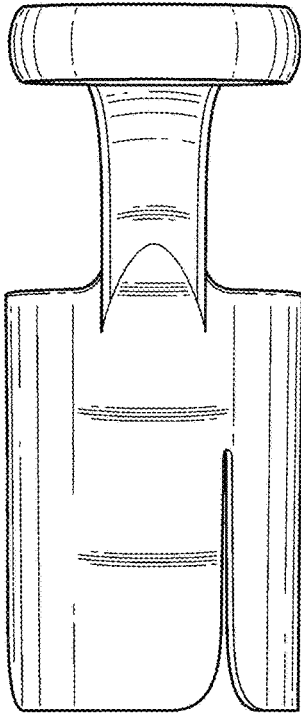


FIG. 3

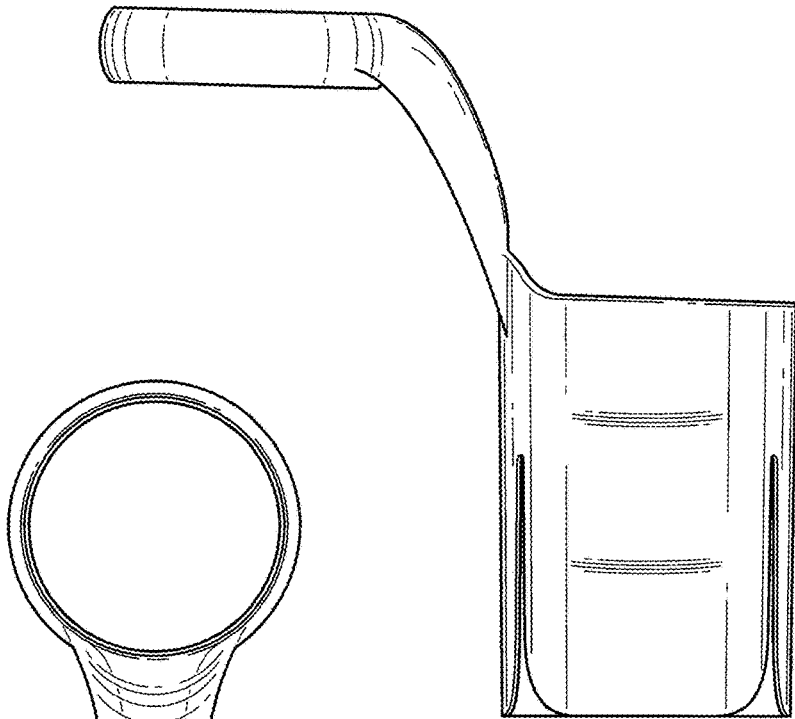


FIG. 4

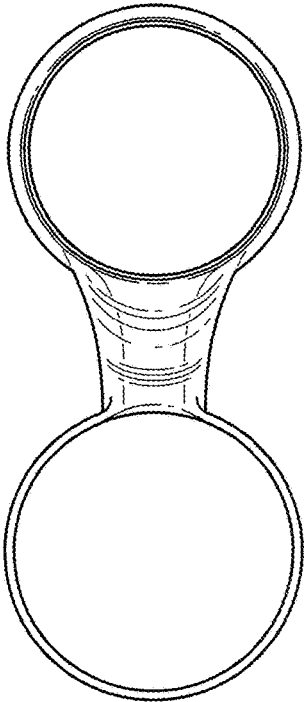


FIG. 6

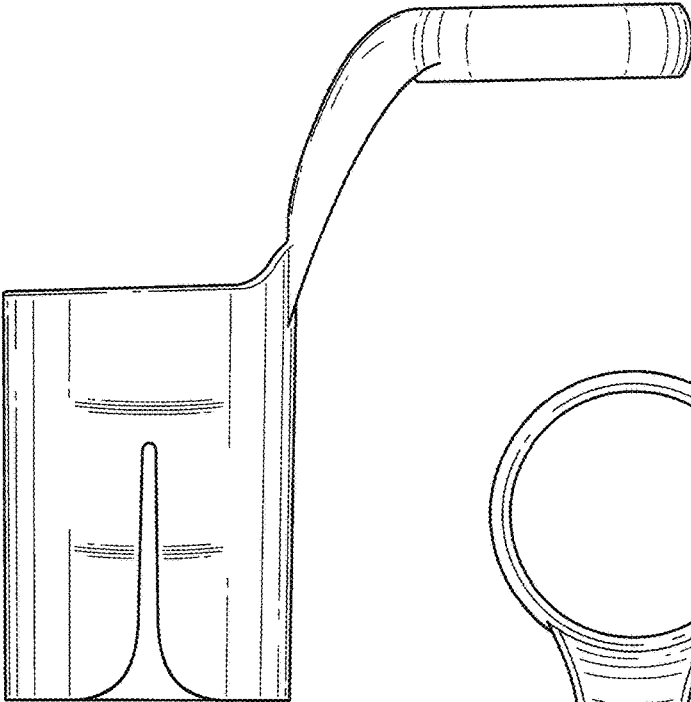


FIG. 5

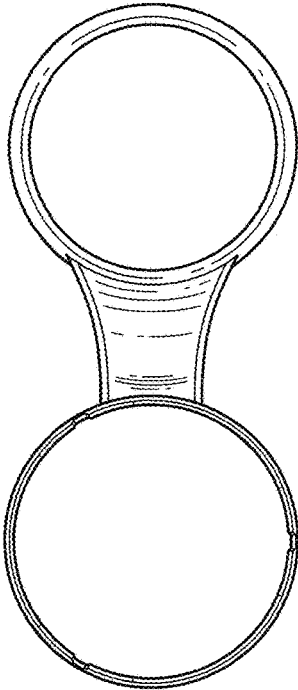


FIG. 7