



US00D855409S

(12) **United States Design Patent**  
**Delkic**

(10) **Patent No.:** **US D855,409 S**

(45) **Date of Patent:** **\*\* Aug. 6, 2019**

(54) **BEER BARREL HOLDER**

(71) Applicant: **Eniz Delkic**, Langenfeld (DE)

(72) Inventor: **Eniz Delkic**, Langenfeld (DE)

(\*\*) Term: **15 Years**

(21) Appl. No.: **29/639,452**

(22) Filed: **Mar. 6, 2018**

(30) **Foreign Application Priority Data**

Sep. 7, 2007 (EM) ..... 004246205-0001

(51) **LOC (12) Cl.** ..... **07-07**

(52) **U.S. Cl.**  
USPC ..... **D7/602**

(58) **Field of Classification Search**

USPC ..... D28/38, 73; 220/737; D6/552, 403,  
D6/681-681.1, 522-524;  
248/117.1-117.5, 133, 176.1-176.2,  
248/178.1; D9/751-753; 452/12;  
D20/21; D7/372-373, 399, 682, 414,  
D7/674, 679, 300, 306-309, 311, 602;  
D10/87-93  
CPC ..... A45D 20/14; A45D 44/14; A45D 20/12;  
A45D 20/124; A45D 2020/126; A45D  
2020/128; A45D 27/29; A45D 20/122;  
A45D 33/006; A45D 2200/25; A47G  
23/02; A47B 73/00; A61K 8/022; A61K  
2800/10; A61K 2800/80; G01G 19/44;  
G01G 19/50

See application file for complete search history.

(56) **References Cited**

**U.S. PATENT DOCUMENTS**

D47,948 S \* 10/1915 Courtney ..... D7/311  
D113,725 S \* 3/1939 Titus ..... D7/311  
D125,435 S \* 2/1941 Swann ..... D7/311  
D128,648 S \* 8/1941 Titus ..... D7/311

D138,363 S \* 7/1944 Giuriati ..... D7/308  
D181,266 S \* 10/1957 Alvarez ..... D7/311  
D186,287 S \* 10/1959 Lauve ..... D10/90  
D250,756 S \* 1/1979 Joss ..... D10/93  
D281,403 S \* 11/1985 Zeigner ..... D10/93

(Continued)

**FOREIGN PATENT DOCUMENTS**

CN 304904639 \* 11/2018  
CN 304904642 \* 11/2018

(Continued)

*Primary Examiner* — Shannon W Morgan

*Assistant Examiner* — Altaira J Swangin

(74) *Attorney, Agent, or Firm* — Lawrence G. Fridman,  
Esq; Feigin & Fridman, LLC

(57) **CLAIM**

The ornamental design for a beer barrel holder, as shown and described.

**DESCRIPTION**

FIG. 1 is a front perspective view of a beer barrel holder showing my new design;

FIG. 2 is a side perspective view thereof;

FIG. 3 is a front elevation view thereof;

FIG. 4 is a rear elevation view thereof;

FIG. 5 is a right side elevational view thereof;

FIG. 6 is a left side elevational view thereof;

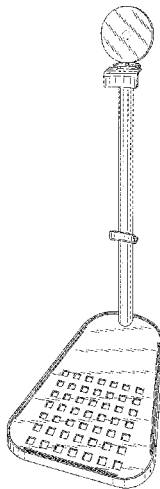
FIG. 7 is a top plan view thereof;

FIG. 8 is a bottom plan view thereof;

FIG. 9 is another left side elevation view showing the beer barrel holder of FIGS. 1-8 in an open position thereof; and, FIG. 10 is another left side elevational view showing the beer barrel holder of FIGS. 1-8.

The broken lines in FIGS. 1-3 depict portions of the beer barrel holder that form no part of the claimed design. The broken lines in FIG. 10, showing a barrel, depict environment and form no part of the claimed design.

**1 Claim, 9 Drawing Sheets**



(56)

References Cited

U.S. PATENT DOCUMENTS

D305,993 S \* 2/1990 Carnevale ..... D10/93  
 4,923,024 A \* 5/1990 Ferrer ..... A61B 5/1072  
 177/245  
 D325,541 S \* 4/1992 Storsberg ..... D10/93  
 D418,766 S \* 1/2000 Cappiello ..... D10/92  
 D440,458 S \* 4/2001 Ohu ..... D7/300  
 6,646,209 B2 \* 11/2003 Montagnino ..... G01G 19/44  
 177/126  
 D489,930 S \* 5/2004 Tse ..... D7/306  
 D506,155 S \* 6/2005 Montagnino ..... D10/93  
 D511,982 S \* 11/2005 Koberling ..... D10/93  
 D513,476 S \* 1/2006 Koberling ..... D10/93  
 D531,457 S \* 11/2006 Gold ..... D7/589  
 7,200,952 B2 \* 4/2007 Montagnino ..... A61B 5/0537  
 33/512  
 D563,142 S \* 3/2008 Kauer ..... D7/306  
 D587,152 S \* 2/2009 Scholpp ..... D10/92  
 D587,153 S \* 2/2009 Scholpp ..... D10/92  
 D592,535 S \* 5/2009 Li ..... D10/93  
 D610,930 S \* 3/2010 Scholpp ..... D10/92  
 D625,137 S \* 10/2010 Sabadicci ..... D7/300  
 D628,503 S \* 12/2010 Kasano ..... D10/93  
 D639,192 S \* 6/2011 Li ..... D10/93  
 D645,368 S \* 9/2011 Shiloh ..... D10/93

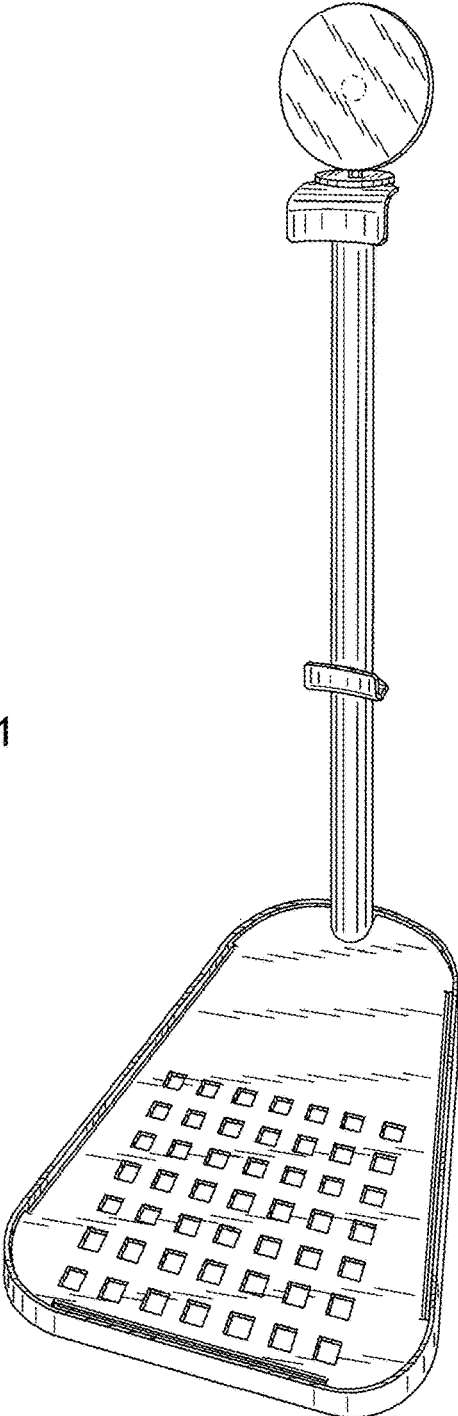
D645,370 S \* 9/2011 Rhein ..... D10/93  
 D690,992 S \* 10/2013 Ball ..... D7/399  
 D769,672 S \* 10/2016 Gallagher ..... D7/397  
 D775,890 S \* 1/2017 Gallagher ..... D7/397  
 D780,500 S \* 3/2017 Bambi ..... D7/309  
 9,775,474 B2 \* 10/2017 Holguin ..... A47K 10/48  
 D813,597 S \* 3/2018 Gallagher ..... D7/397  
 D813,598 S \* 3/2018 Gallagher ..... D7/397  
 D813,599 S \* 3/2018 Gallagher ..... D7/397  
 D819,471 S \* 6/2018 Essex ..... D10/93  
 10,066,786 B1 \* 9/2018 Cox ..... F16M 13/04  
 D833,195 S \* 11/2018 McDonald ..... D7/306  
 D834,869 S \* 12/2018 Ljungh ..... D7/306  
 2015/0330613 A1 \* 11/2015 Louden ..... B65D 25/00  
 362/410  
 2015/0346019 A1 \* 12/2015 Von Maydell ..... G01G 19/50  
 177/1  
 2017/0353711 A1 \* 12/2017 Wayenberg ..... G01G 19/50

FOREIGN PATENT DOCUMENTS

CN 304904647 \* 11/2018  
 DE 202007000462 U1 7/2007  
 KR 300893310.0000 \* 2/2017  
 KR 300926059.0000 \* 10/2017  
 KR 300932264.0000 \* 11/2017

\* cited by examiner

FIG. 1



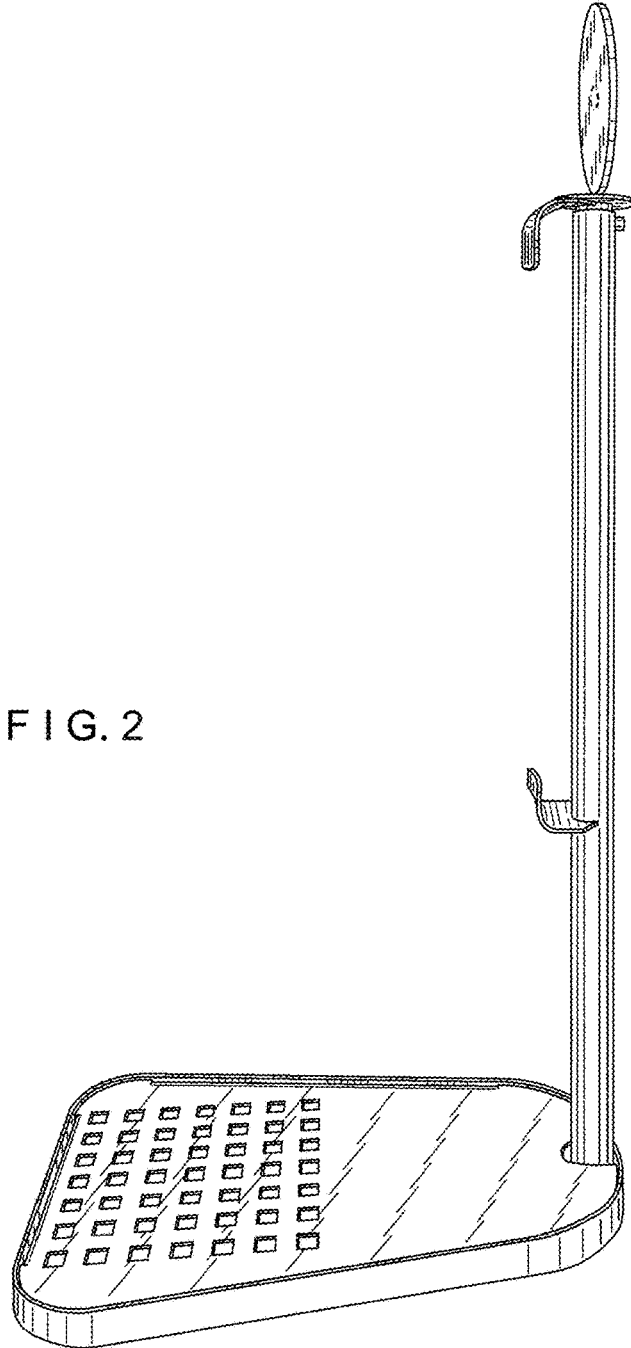


FIG. 2

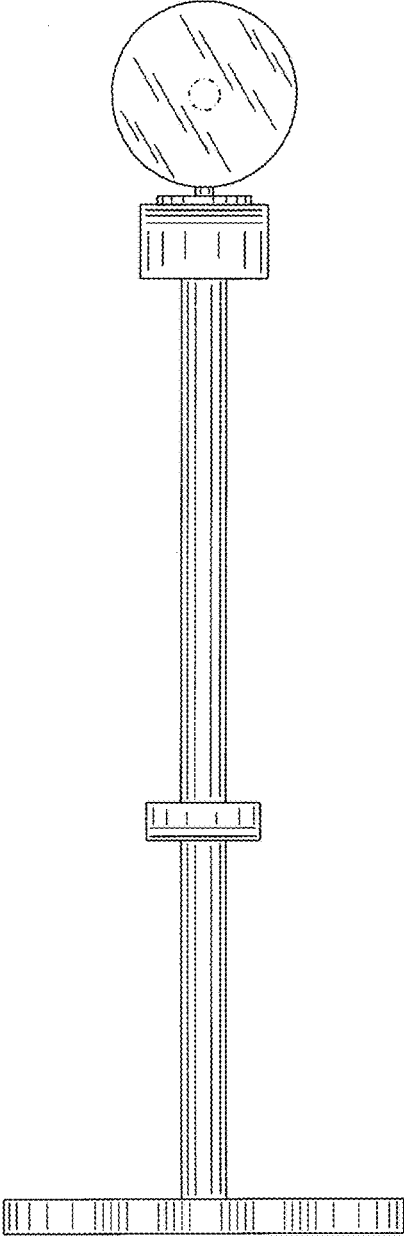


FIG. 3

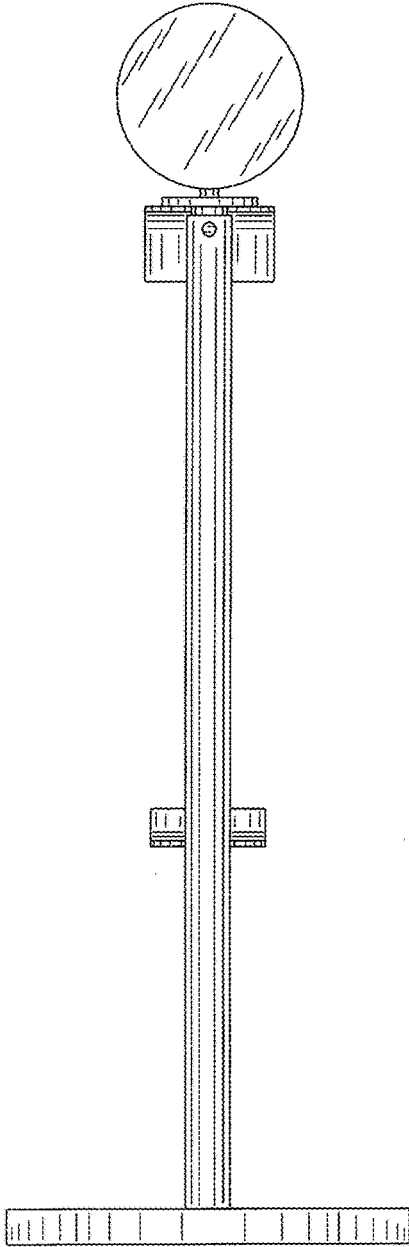
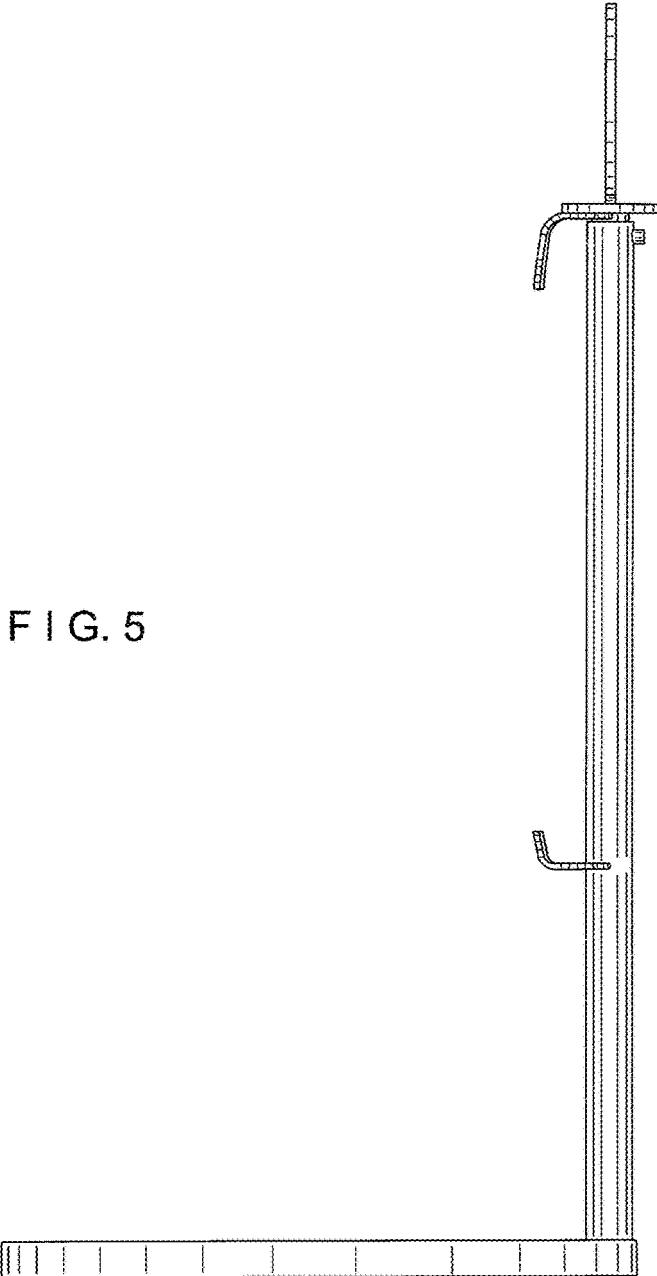


FIG. 4



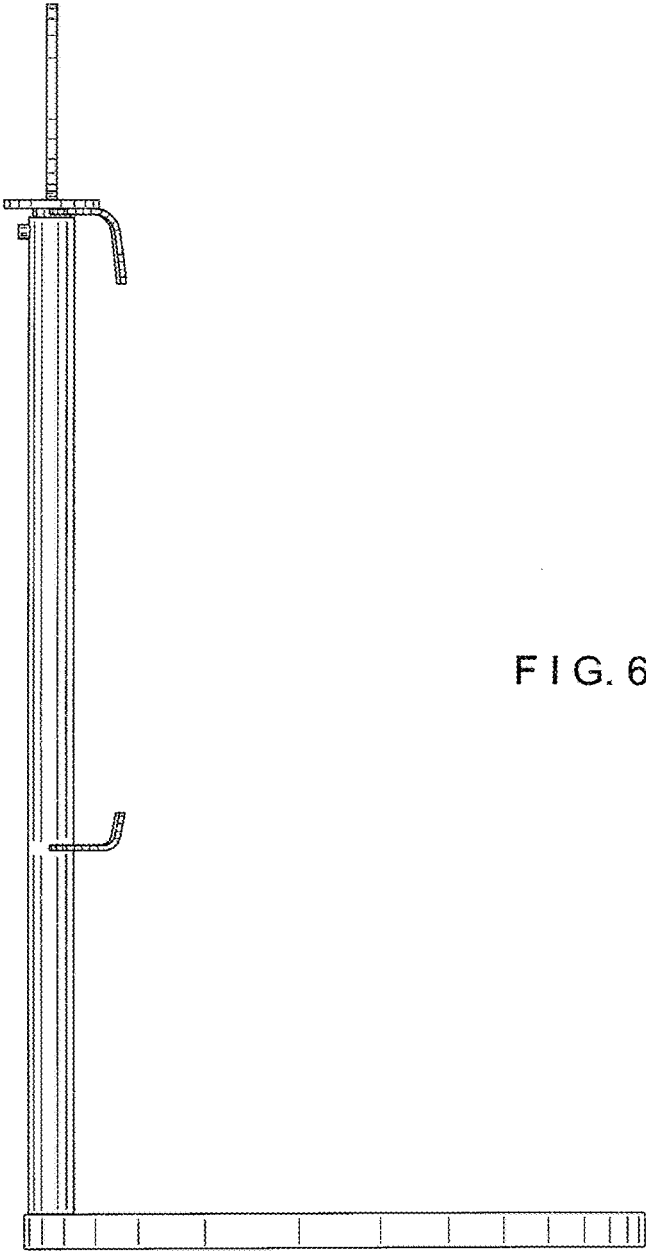


FIG. 6



FIG. 7

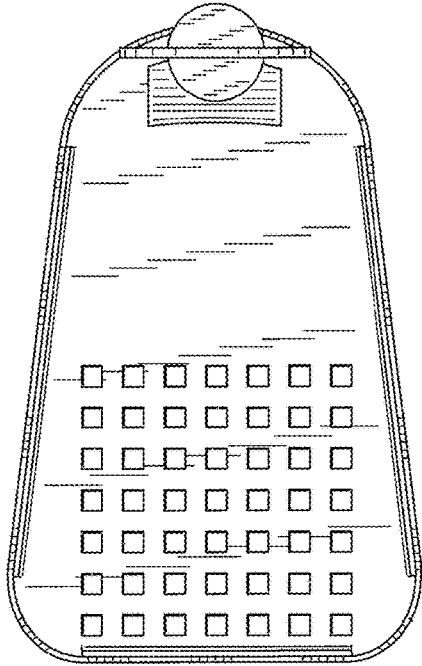
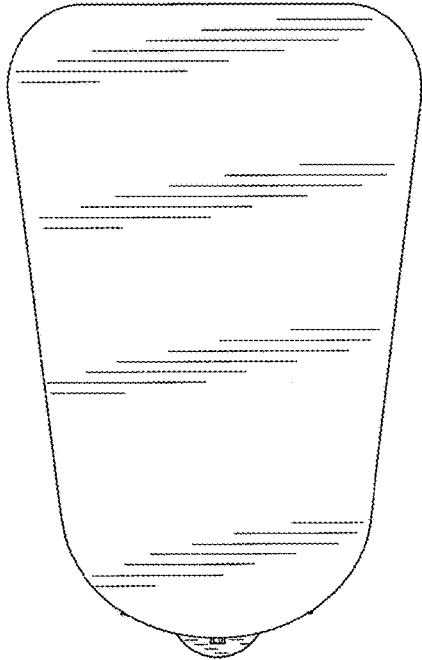


FIG. 8



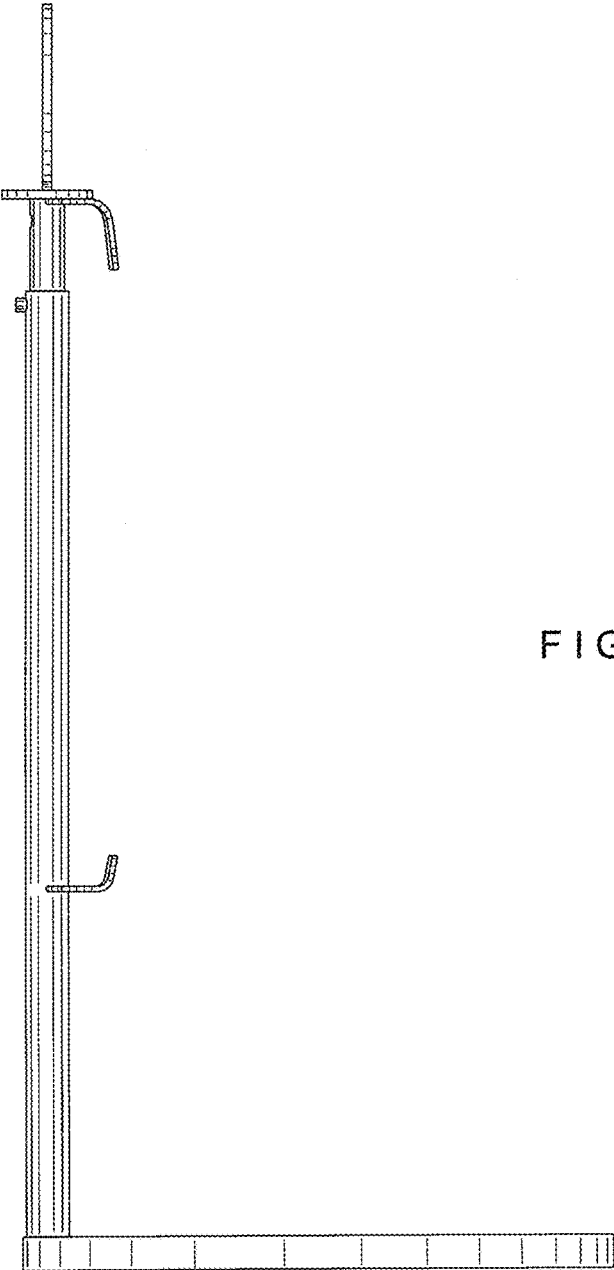


FIG. 9

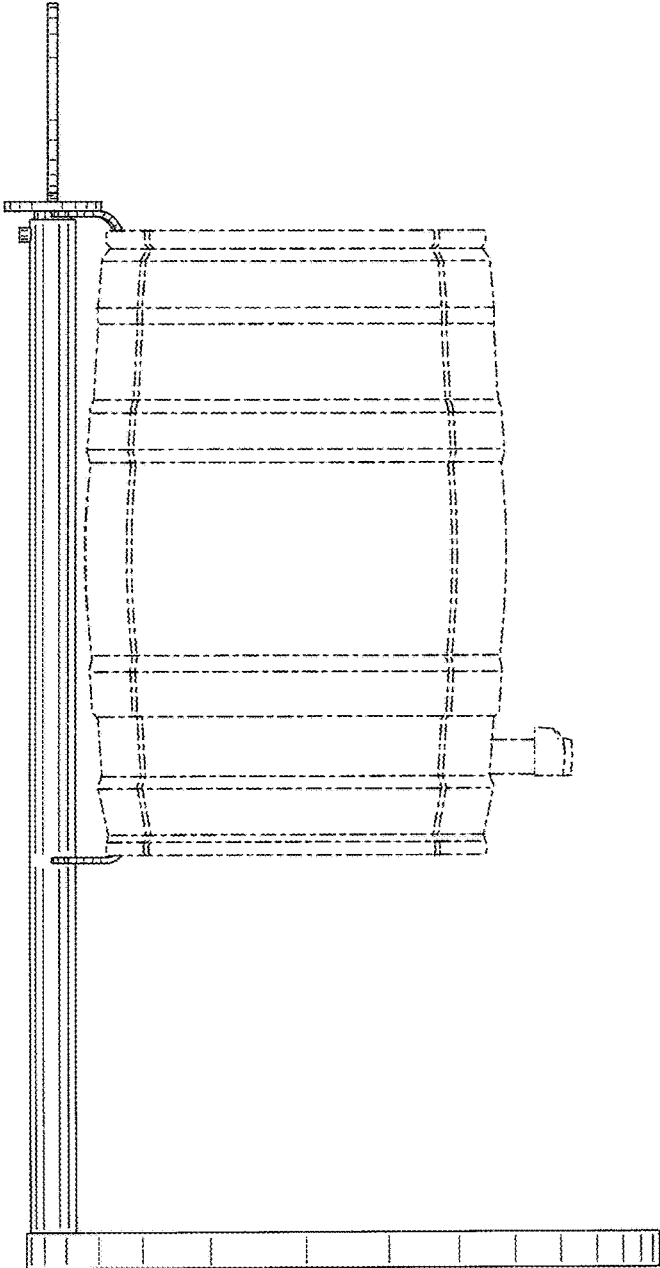


FIG. 10