



US00D862005S

(12) **United States Design Patent**
Gabriele

(10) **Patent No.:** **US D862,005 S**

(45) **Date of Patent:** **** Oct. 1, 2019**

- (54) **DOG HARNESS**
- (71) Applicant: **Rose Gabriele**, Nutley, NJ (US)
- (72) Inventor: **Rose Gabriele**, Nutley, NJ (US)
- (**) Term: **15 Years**
- (21) Appl. No.: **29/656,850**
- (22) Filed: **Jul. 17, 2018**
- (51) **LOC (12) Cl.** **30-04**
- (52) **U.S. Cl.**
USPC **D30/152**
- (58) **Field of Classification Search**
USPC D30/144, 145, 151, 152, 154;
D29/101.1, 101.3, 101.4; D2/718, 719,
D2/860, 861
CPC A01K 27/002; A01K 13/006
See application file for complete search history.

(56) **References Cited**

U.S. PATENT DOCUMENTS

- 3,310,034 A * 3/1967 Dishart B60R 22/10
119/771
- 4,633,817 A * 1/1987 Taylor A01K 13/006
119/850
- D293,139 S * 12/1987 Roa D30/152
- D343,750 S * 2/1994 Wolf D6/514
- 6,564,753 B1 * 5/2003 Heileg A01K 13/007
119/817
- D599,504 S * 9/2009 Halip D30/152
- 8,336,503 B2 * 12/2012 Spinelli A47D 13/086
119/770
- D702,893 S * 4/2014 Tullo D30/146
- D743,628 S * 11/2015 Millington D29/101.1
- D840,153 S * 2/2019 Persellin D3/315
- D841,261 S * 2/2019 Backus D30/152
- 2018/0116175 A1 * 5/2018 Lui A01K 13/006

FOREIGN PATENT DOCUMENTS

JP 2010279312 A * 12/2010

OTHER PUBLICATIONS

"Win a Snuggly Boots Orthotic & Footwear Suspender System!"
Found online Jan. 4, 2017 at dogtipper.com. Page dated May 13,

2014. Retrieved from <http://www.dogtipper.com/giveaways-contests/2014/05/win-a-snuggly-boots-orthotic-footwear-suspender-system.html>.
"Lupine Pet Brook Trout Roman Dog Harness". Found online Feb. 1, 2017 at amazon.com. Page dated Sep. 15, 2005. Retrieved from https://www.amazon.com/LupinePet-Originals-Brook-Trout-Harness/dp/B0002H3NYG/ref=sr_l_23?s=pets-supplies&ie=UTF8&qid=1485804870&sr=1-23&refinements=p_72%3A2661621011.
"PetSafe Premier ECO Easy Walk Dog Harness". Found online Feb. 1, 2017 at amazon.com. Page dated Apr. 22, 2010. Retrieved from https://www.amazon.com/Premier-Harness-Leash-Medium-Sedona/dp/B002RUY28W/ref=cm_cr_arp_d_product_top?ie=UTF8.

* cited by examiner

Primary Examiner — Kendra Leslie Hamilton
(74) *Attorney, Agent, or Firm* — Michael J. Feigin, Esq.;
Feigin and Fridman LLC

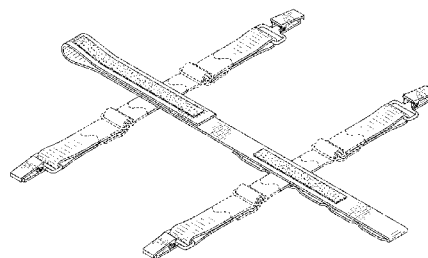
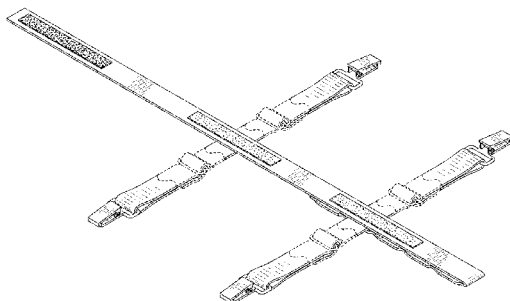
(57) **CLAIM**

The ornamental design for a dog harness, as shown and described.

DESCRIPTION

FIG. 1 is a top, rear, left side perspective view of a dog harness, showing my new design in a first configuration.
FIG. 2 is a top plan view thereof.
FIG. 3 is a bottom plan view thereof.
FIG. 4 is a left side elevation view thereof, the right side elevation view thereof being a mirror image.
FIG. 5 is a rear elevation view thereof.
FIG. 6 is a front elevation view thereof.
FIG. 7 is a left side elevation view of the dog harness of FIG. 1 in an alternate configuration, having the front end wrapped over itself to form a loop; the right side elevation view being a mirror image.
FIG. 8 is a top plan view thereof; and,
FIG. 9 is a top, rear, left side perspective thereof.
The broken lines in the drawings depict portions of the dog harness that form no part of the claimed design.
The drawings are shaded to indicate contrasting surfaces.

1 Claim, 6 Drawing Sheets



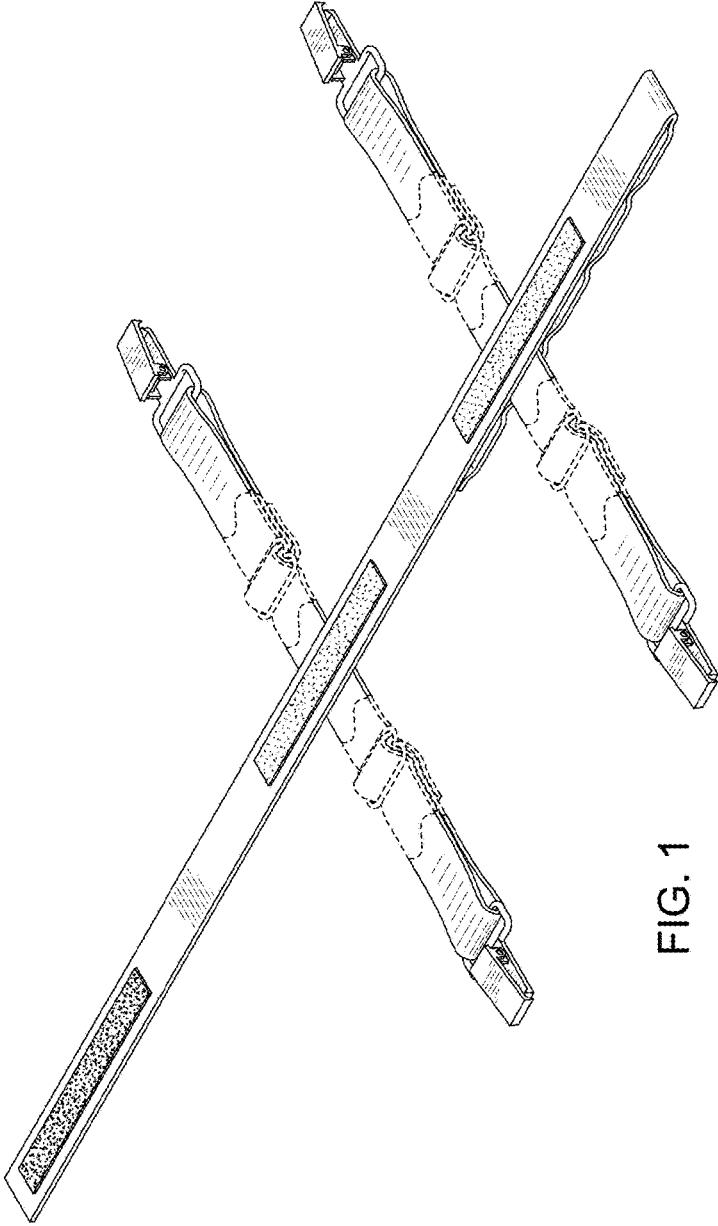


FIG. 1

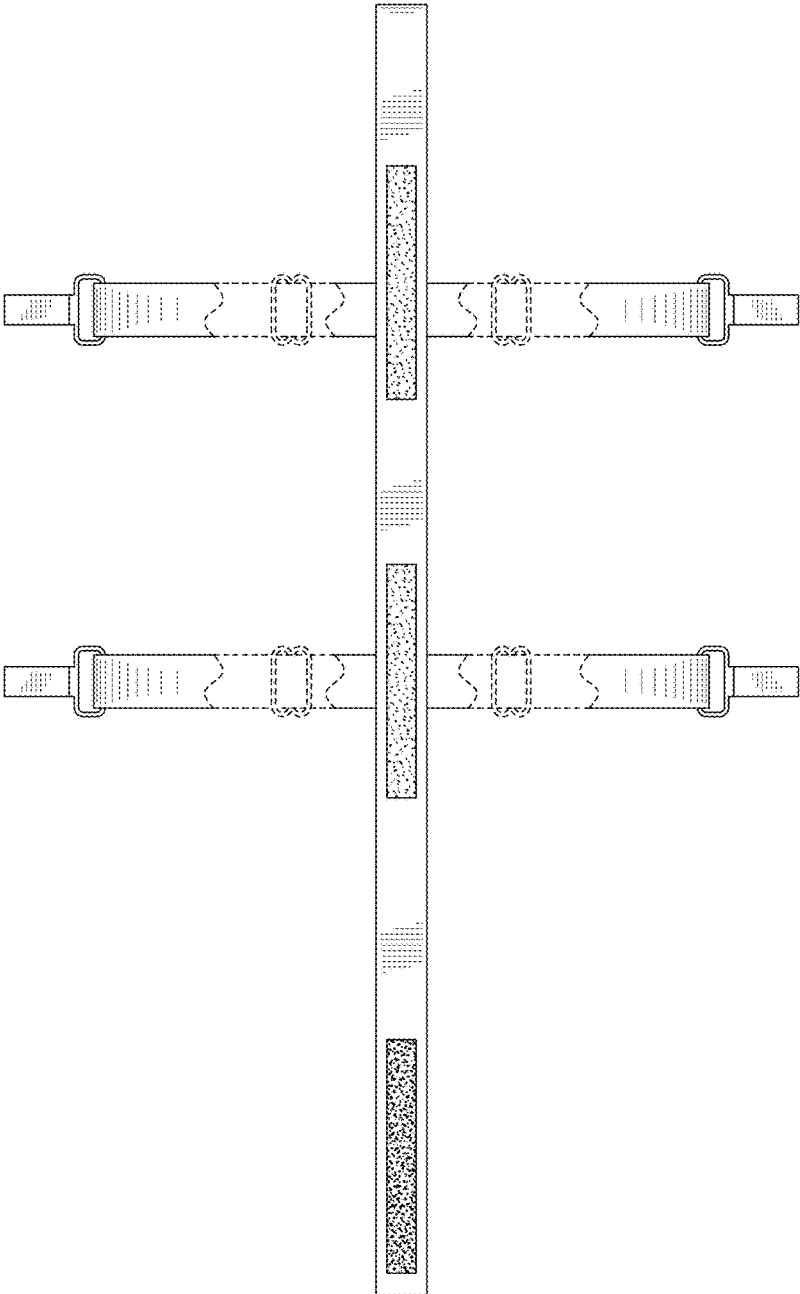


FIG. 2

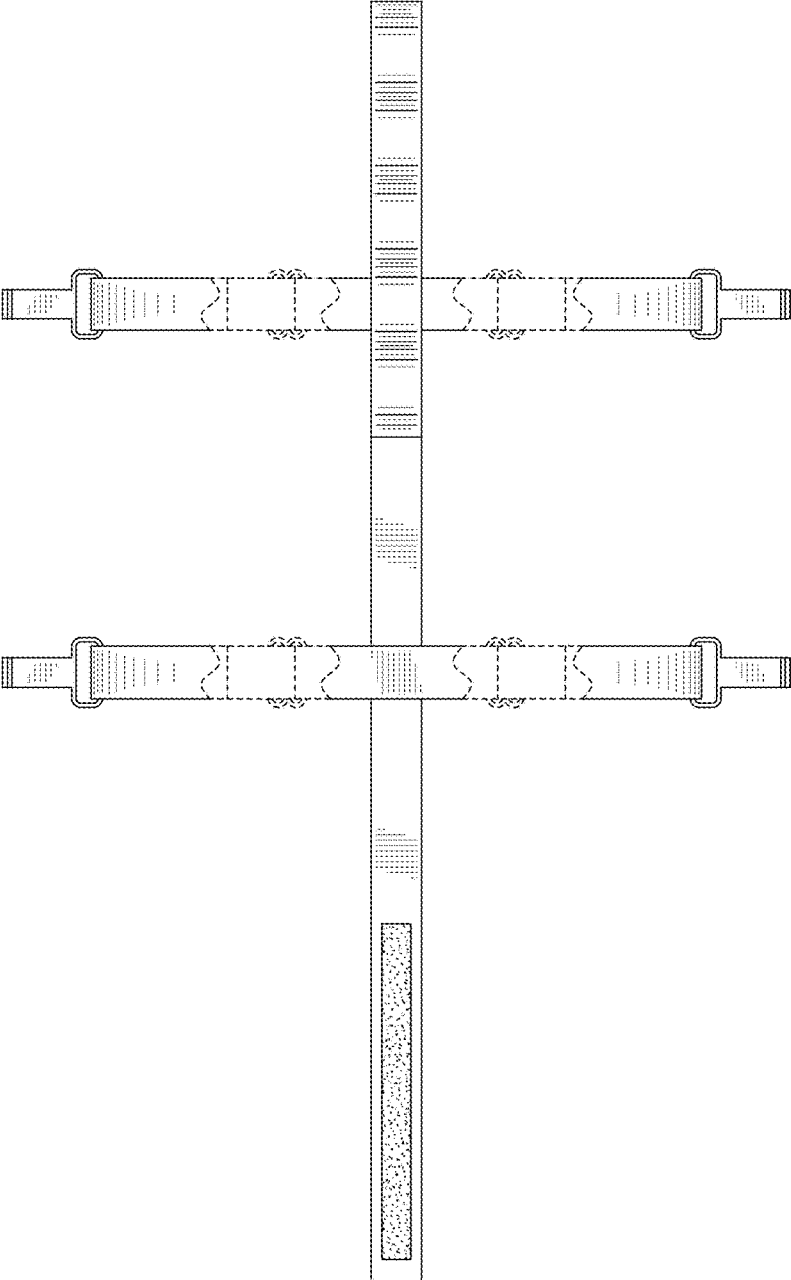


FIG. 3



FIG. 4

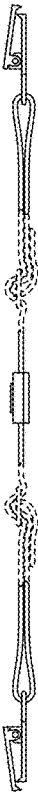


FIG. 5

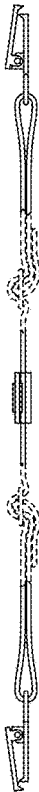


FIG. 6

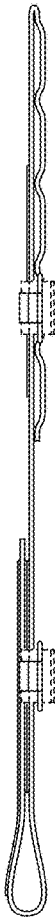


FIG. 7

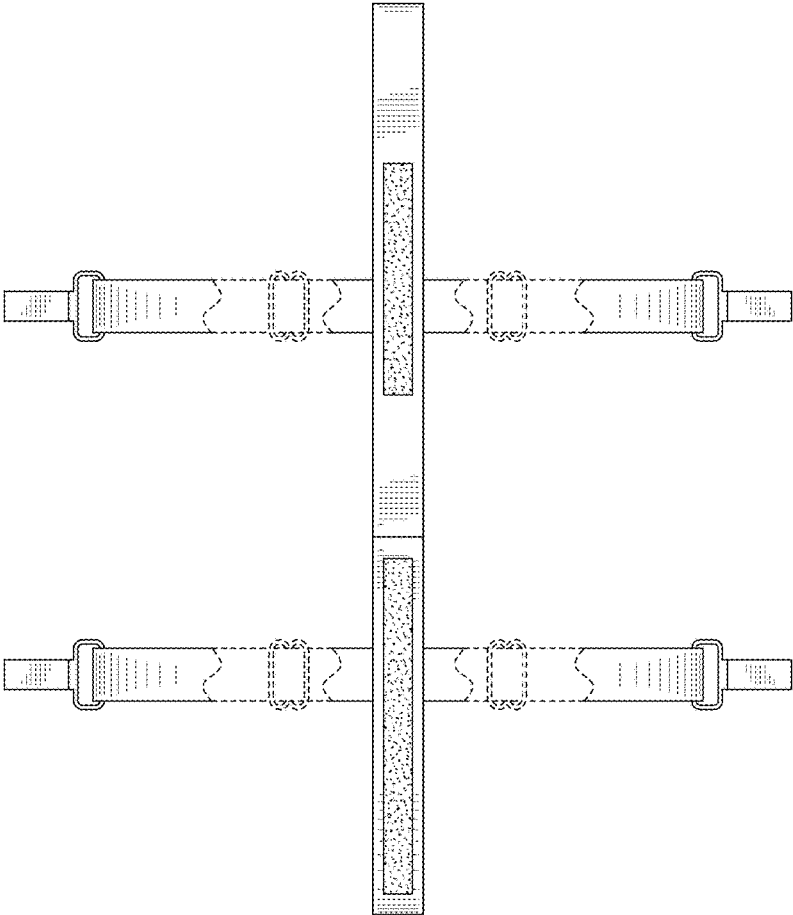


FIG. 8

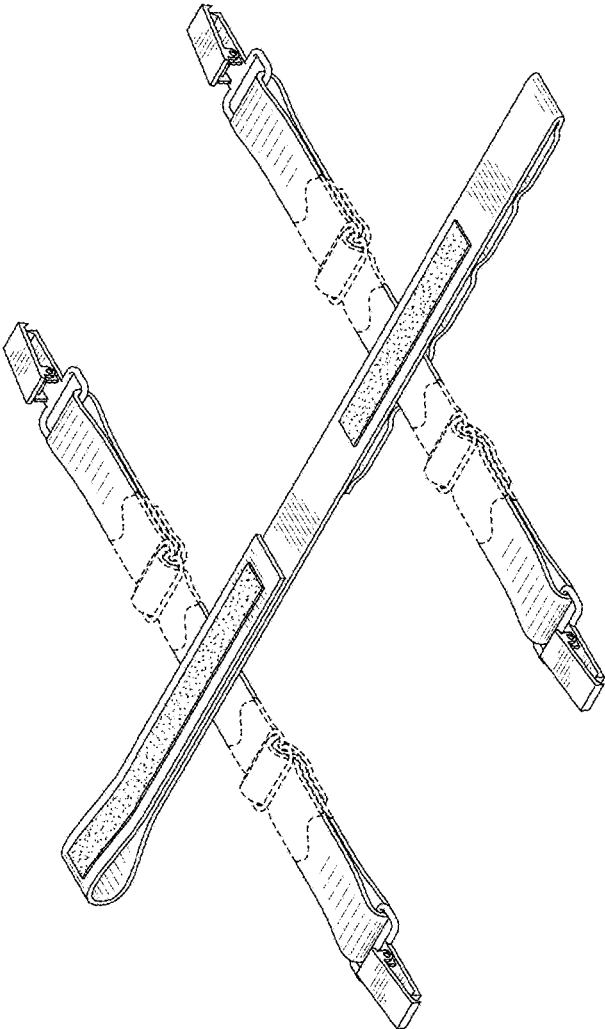


FIG. 9