



US00D886233S

(12) **United States Design Patent** (10) **Patent No.:** **US D886,233 S**
Daniil (45) **Date of Patent:** **** Jun. 2, 2020**

- (54) **RAT TRAP**
- (71) Applicant: **Daniil Daniil**, Wayne, NJ (US)
- (72) Inventor: **Daniil Daniil**, Wayne, NJ (US)
- (**) Term: **15 Years**
- (21) Appl. No.: **29/724,626**
- (22) Filed: **Feb. 18, 2020**
- (51) **LOC (12) Cl.** **22-06**
- (52) **U.S. Cl.**
USPC **D22/119**
- (58) **Field of Classification Search**
USPC D22/119-120; 43/58, 60-61, 65-66, 70,
43/77, 81, 82, 83, 90, 92, 98, 136-137
CPC A01M 23/00; A01M 23/24; A01M 23/26;
A01M 23/30
See application file for complete search history.

D671,186 S	11/2012	Dobias	
8,490,322 B2 *	7/2013	Dobias A01M 23/30 43/90
D713,489 S	9/2014	Dobias	
D722,127 S	2/2015	Huang	
D764,010 S *	8/2016	Tian D22/119
D770,006 S	10/2016	Tian	
D836,747 S *	12/2018	Ambler D22/119
D863,493 S	10/2019	Le Laidier	
D868,201 S	11/2019	Walsh	

* cited by examiner

Primary Examiner — Catherine R Oliver-Garcia
(74) *Attorney, Agent, or Firm* — Michael J. Feigin, Esq.;
Feigin and Fridman LLC

(57) **CLAIM**
The ornamental design for a rat trap, as shown.

DESCRIPTION

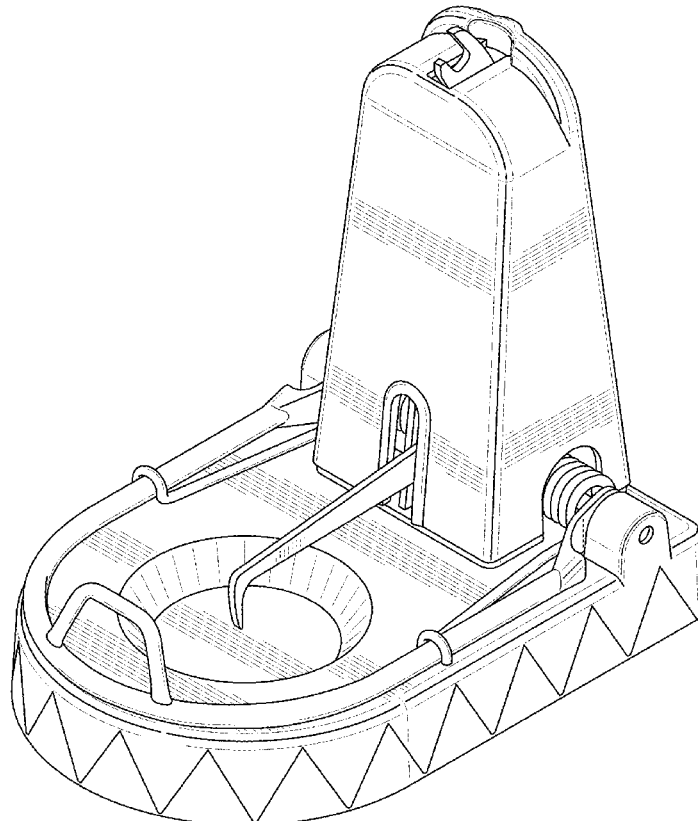
FIG. 1 shows a top and side perspective view of a rat trap. FIG. 2 shows a left elevation view thereof the reverse side being a mirror image thereof. FIG. 3 shows a front elevation view thereof. FIG. 4 shows a rear elevation view thereof. FIG. 5 shows a top plan view thereof; and, FIG. 6 shows a bottom plan view thereof. The appearance of any portion of the article between the dotted lines forms no part of the claimed design.

1 Claim, 6 Drawing Sheets

(56) **References Cited**

U.S. PATENT DOCUMENTS

432,122 A	7/1890	Donaldson	
432,743 A	7/1890	Waddel	
4,665,644 A *	5/1987	Vajs A01M 23/30 43/82
D323,016 S *	1/1992	Vajs D22/119
D441,828 S *	5/2001	Leyerle D22/119
D532,478 S *	11/2006	Wiesener D22/119
D616,958 S *	6/2010	Huang D22/119



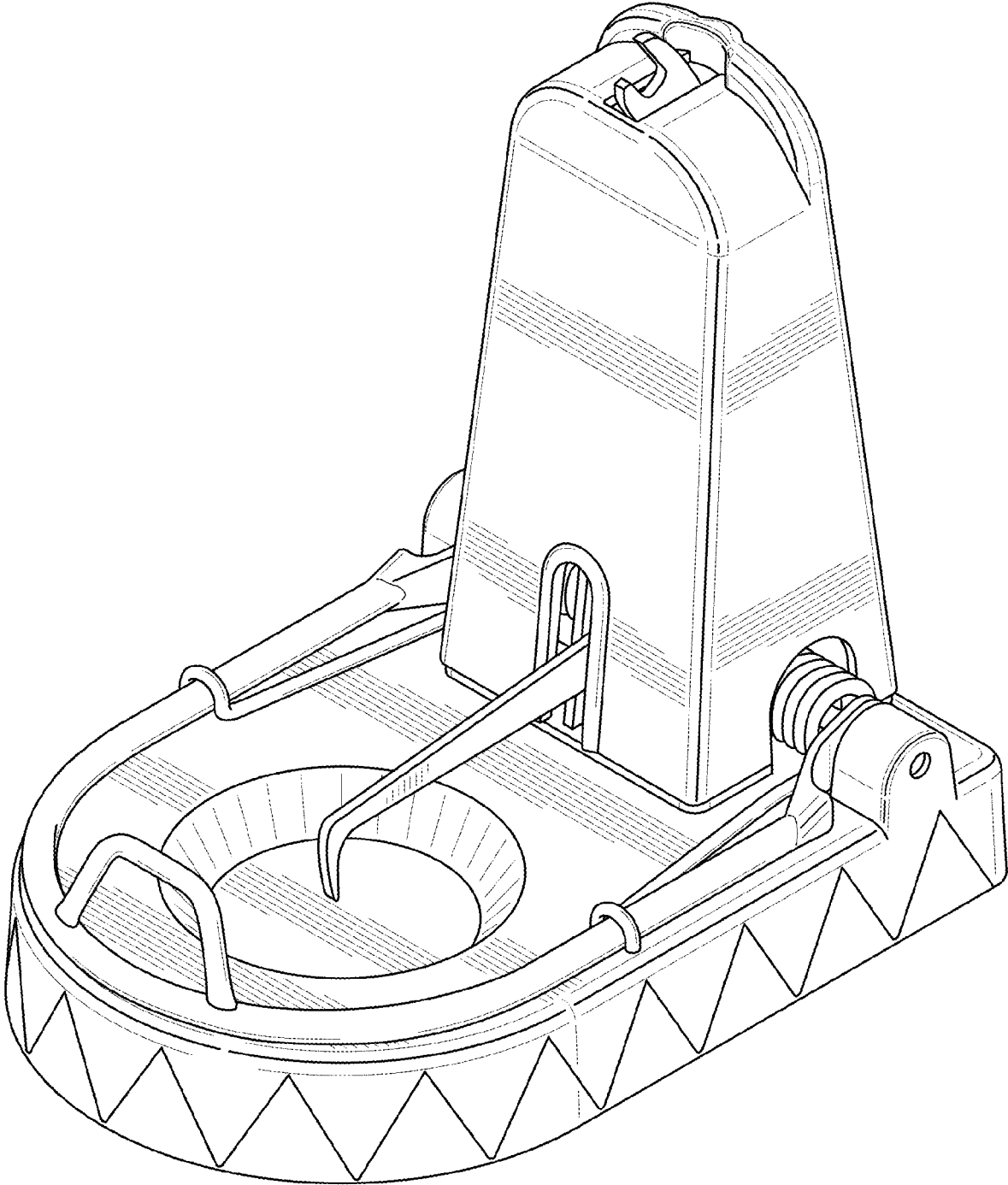


FIG. 1

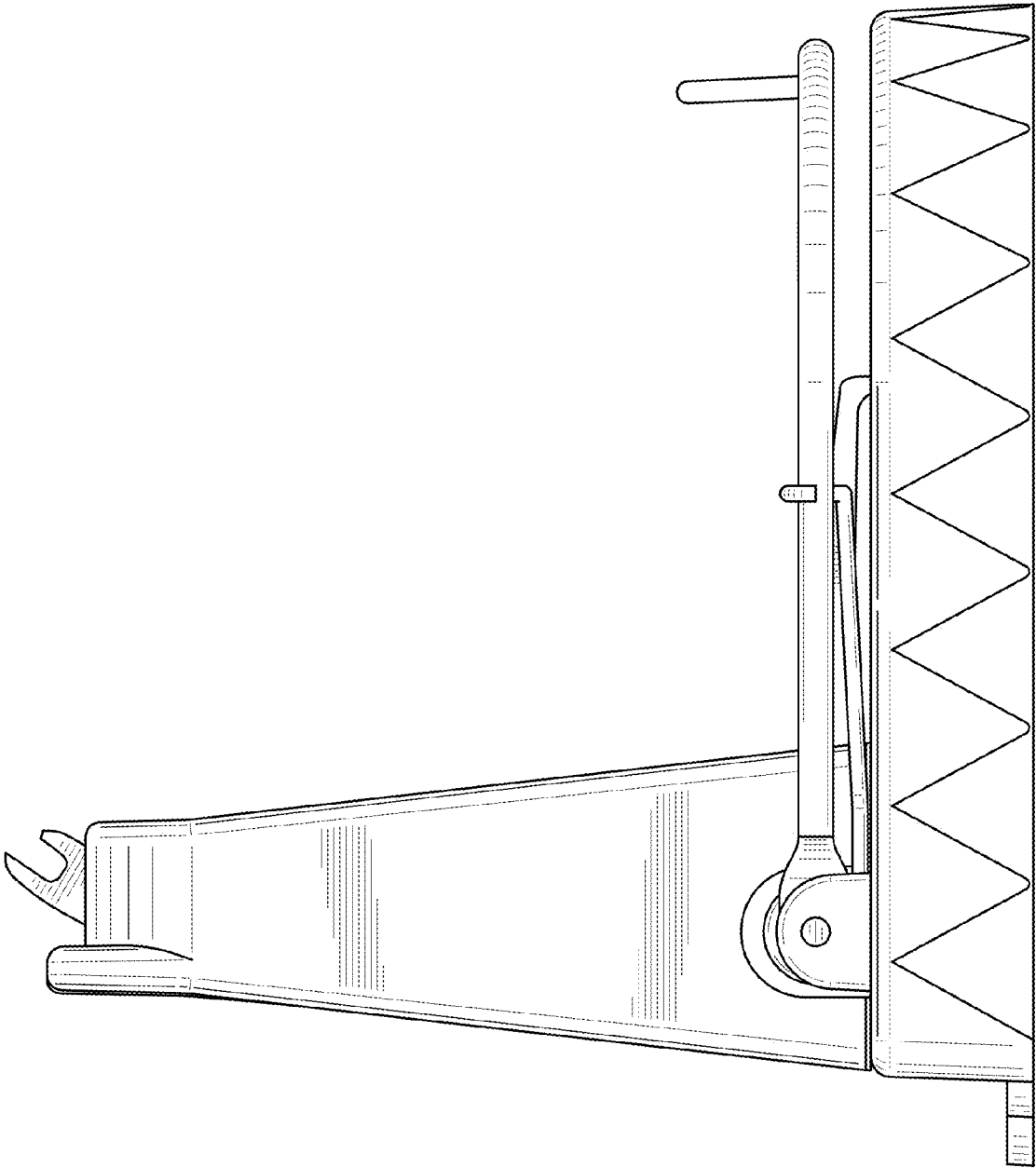


FIG. 2

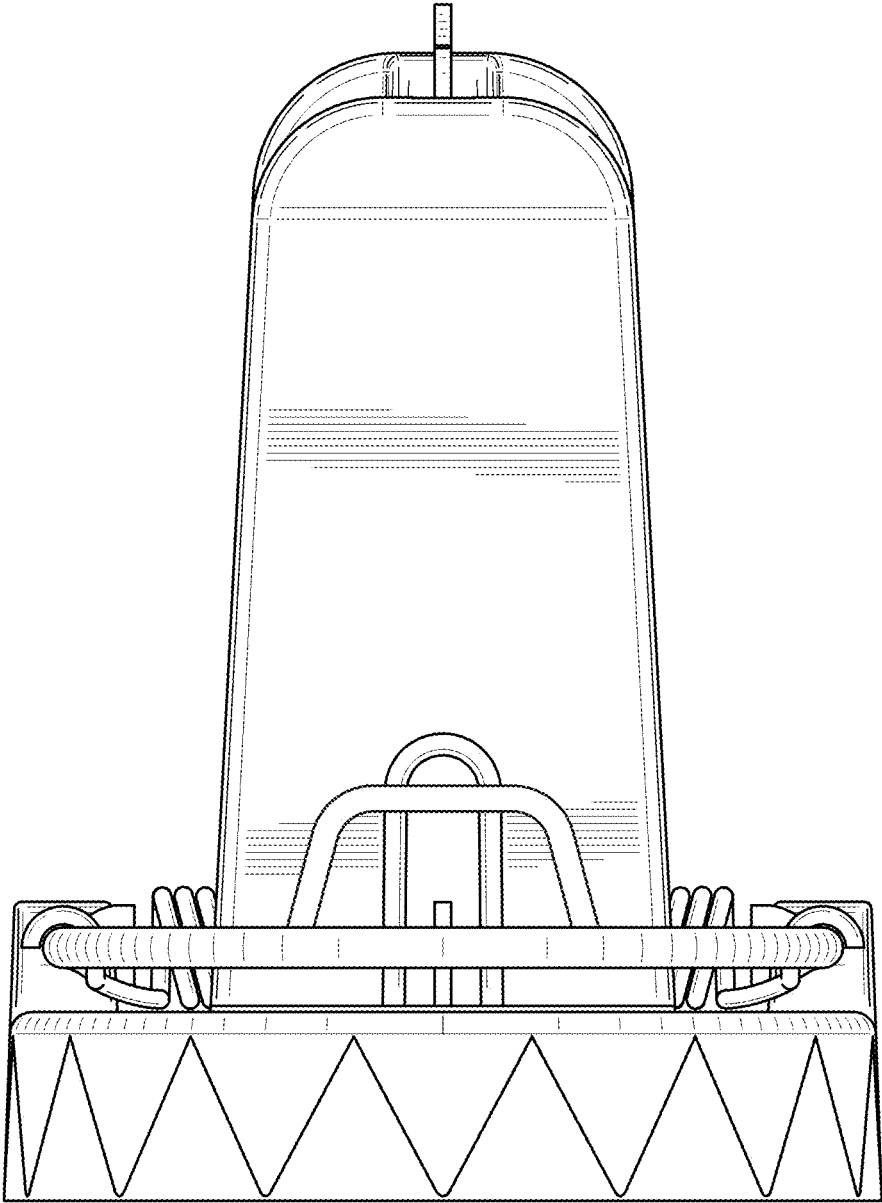


FIG. 3

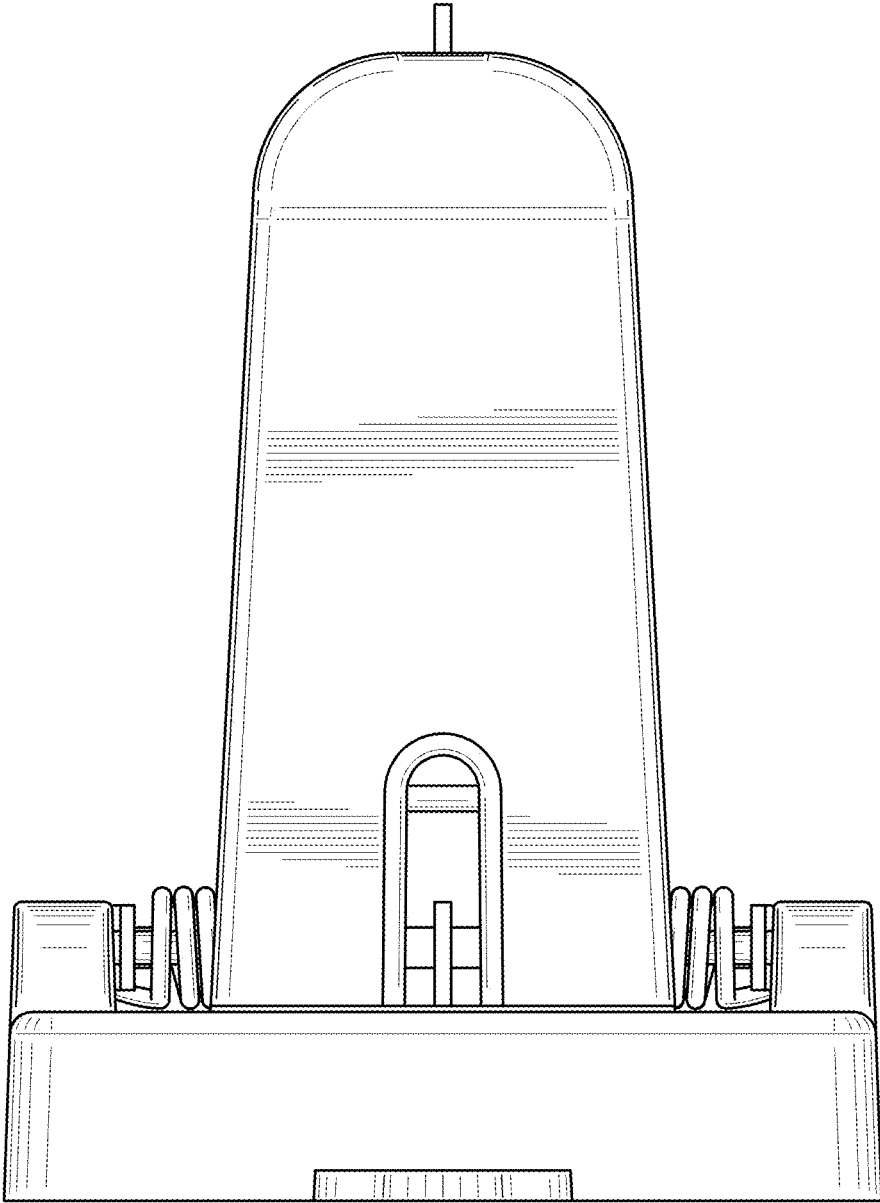


FIG. 4

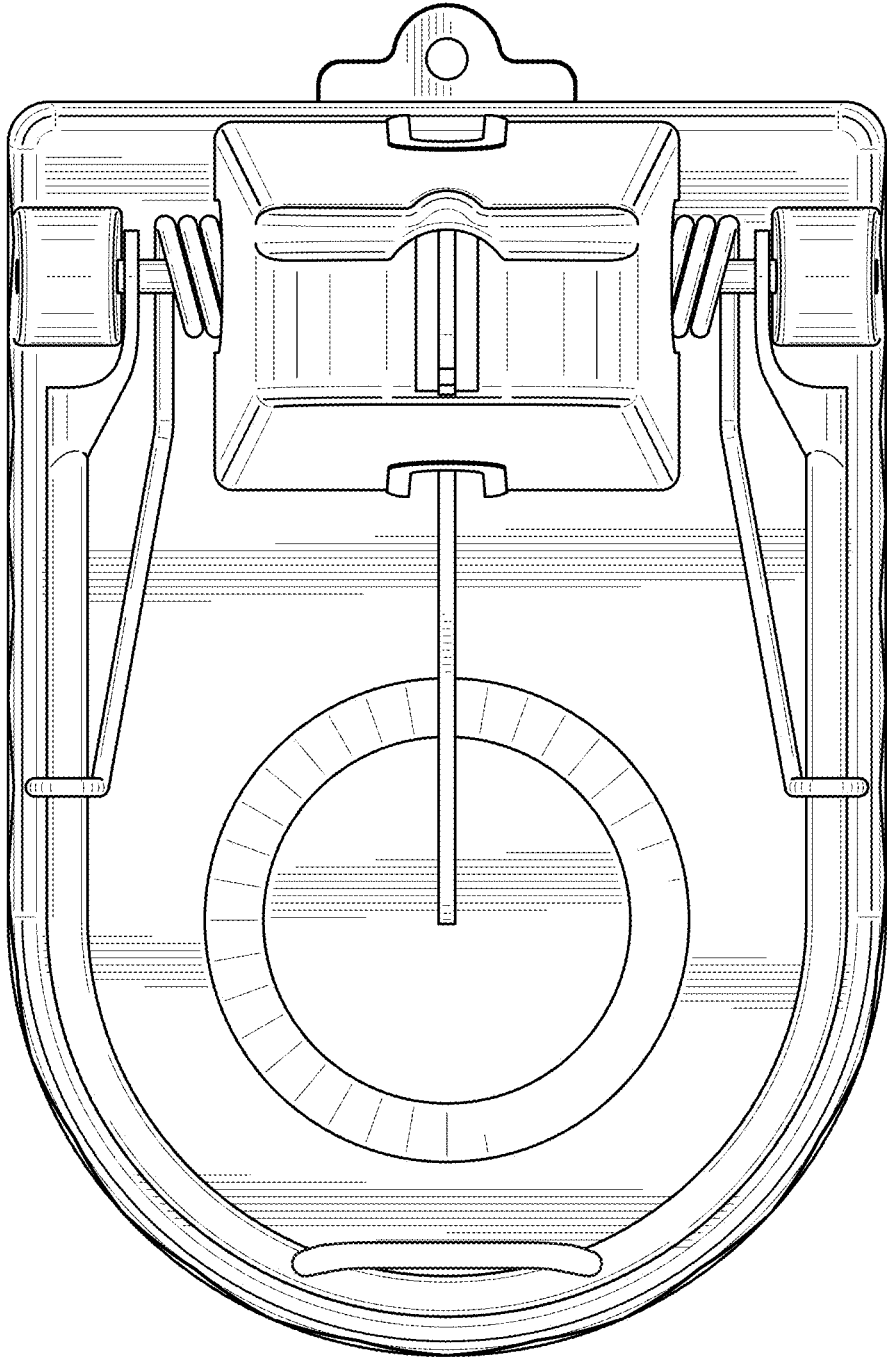


FIG. 5

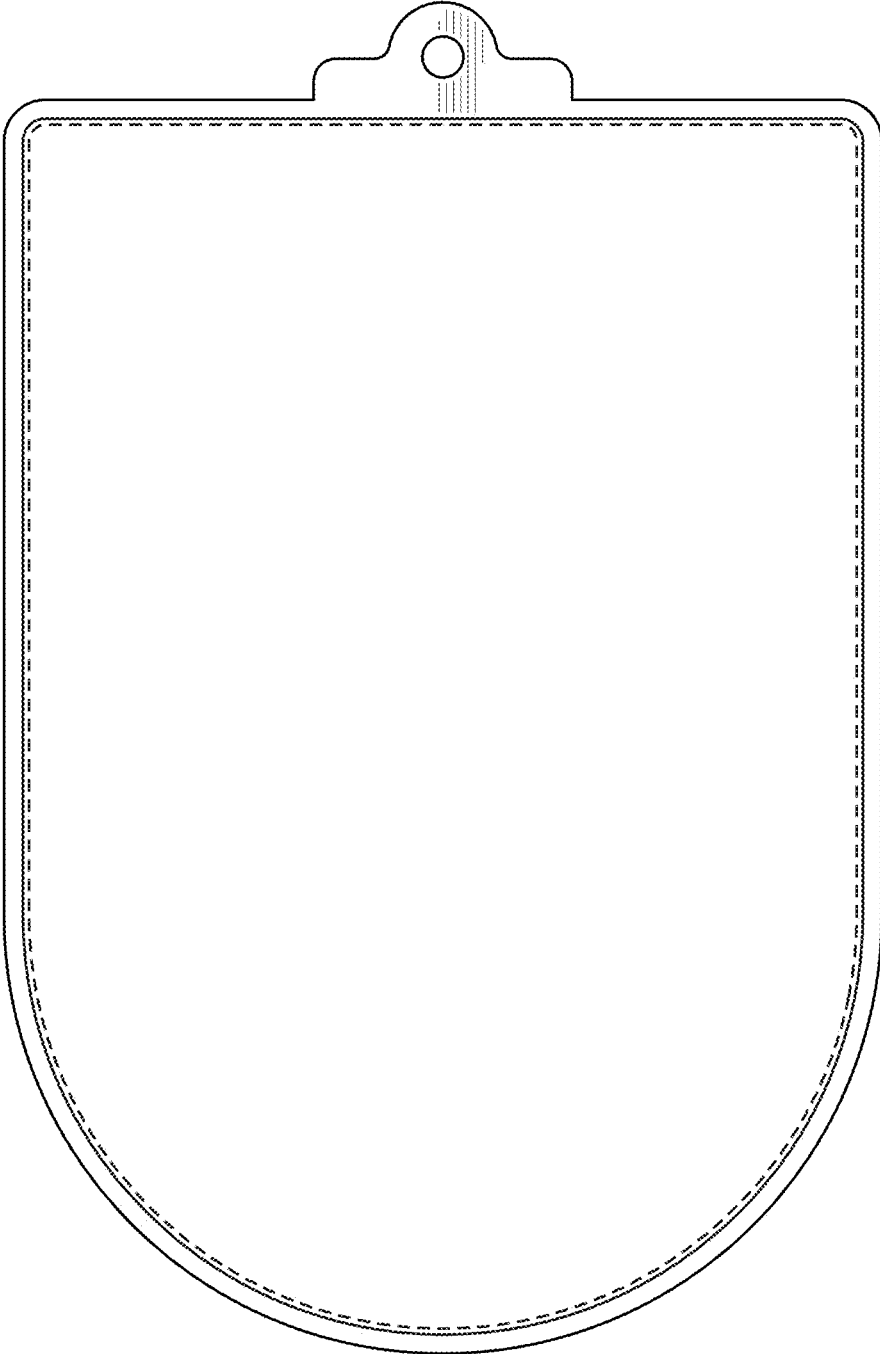


FIG. 6