



US00D886492S

(12) **United States Design Patent**  
**Farkas**

(10) **Patent No.:** **US D886,492 S**  
(45) **Date of Patent:** **\*\* Jun. 9, 2020**

(54) **RUG PAD**  
(71) Applicant: **Abraham Farkas**, Brooklyn, NY (US)  
(72) Inventor: **Abraham Farkas**, Brooklyn, NY (US)  
(\*\*) Term: **15 Years**  
(21) Appl. No.: **29/717,347**

D403,912 S 6/1999 Wang  
D411,400 S 6/1999 Yancey  
6,877,194 B2\* 4/2005 Bradley ..... H05K 13/0084  
206/307.1  
D505,809 S \* 6/2005 Cassidy ..... D3/319  
D522,299 S \* 6/2006 Robbins, III ..... D6/582  
D665,595 S \* 8/2012 Francis ..... A63F 9/1044  
D666,044 S 8/2012 Todd  
D6/406.3  
(Continued)

(22) Filed: **Dec. 17, 2019**  
(51) **LOC (12) Cl.** ..... **06-11**  
(52) **U.S. Cl.**  
USPC ..... **D6/582**

(58) **Field of Classification Search**  
USPC ..... D6/331, 582, 583, 585-589, 591, 592;  
D8/394; D12/203, 608; D19/9, 10, 37,  
D19/113; D21/686, 780; D23/261, 310,  
D23/361; D25/156; D30/161; D32/57  
CPC ..... A47G 27/02; A47G 27/0206; A47G  
27/0212; A47G 27/0218; A47G 27/0225;  
A47G 27/0231; A47G 27/0237; A47G  
27/0275; A47G 27/0293; A47G 9/062;  
A47K 3/002; A63B 6/00; A63B 21/4037;  
E04F 2201/095; E04F 19/10; G09B  
19/0015; B60B 39/00; B60B 39/12; A47L  
23/26; A47L 23/266  
See application file for complete search history.

(56) **References Cited**  
**U.S. PATENT DOCUMENTS**  
922,703 A \* 5/1909 Knapp ..... A47G 27/0431  
16/17.1  
RE32,929 E \* 5/1989 Ewing ..... C09J 7/0275  
206/460  
5,048,182 A \* 9/1991 Robbins, III ..... B26F 1/384  
29/895.21  
5,073,428 A \* 12/1991 Lancelot ..... A47G 27/0206  
428/120  
D367,192 S 2/1996 Frattini  
5,743,392 A \* 4/1998 Chapman ..... A63F 9/1044  
206/315.1  
D403,911 S 6/1999 Wang

**OTHER PUBLICATIONS**

“Premium Large Size Anti Curling Carpet Tape Rug Gripper”by  
TUMELU. Sold on Amazon.com. Dec. 31, 2019. Accessed on Mar.  
30, 2020. (Year: 2019).\*

(Continued)

*Primary Examiner* — Kevin K Rudzinski  
*Assistant Examiner* — Clare Ann Gannon  
(74) *Attorney, Agent, or Firm* — Michael J. Feigin, Esq.;  
Feigin and Fridman LLC

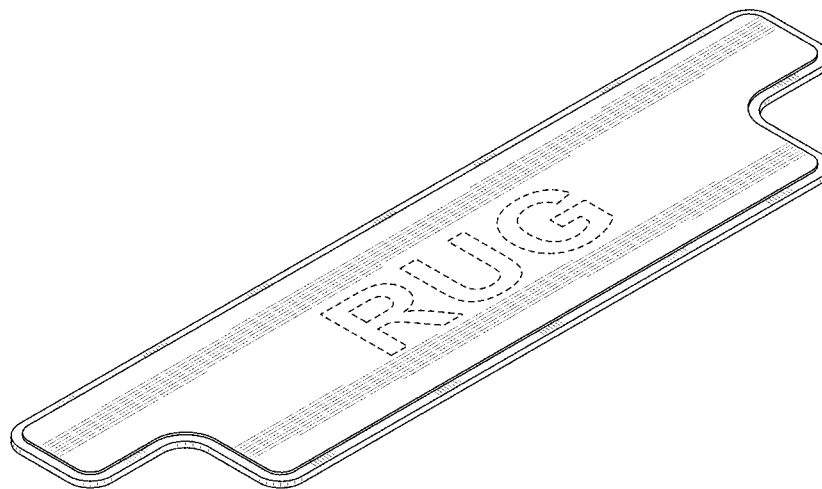
(57) **CLAIM**

The ornamental design for a rug pad, as shown and  
described.

**DESCRIPTION**

FIG. 1 shows a top and side perspective view of a rug pad  
showing my new design.  
FIG. 2 shows a bottom and side perspective view thereof.  
FIG. 3 shows a top plan view thereof.  
FIG. 4 shows a bottom plan view thereof.  
FIG. 5 shows a left side view thereof.  
FIG. 6 shows a right side view thereof.  
FIG. 7 shows a front side view thereof; and,  
FIG. 8 shows a rear side view thereof.  
The broken line is for the purpose of illustrating portions of  
the article and form no part of the claimed design.

**1 Claim, 4 Drawing Sheets**



(56)

**References Cited**

## U.S. PATENT DOCUMENTS

D693,874 S \* 11/2013 Daniel ..... A47G 27/0206  
D19/10  
D740,052 S 10/2015 Jalbert et al.  
D760,849 S \* 7/2016 Iverson ..... B26F 1/384  
D21/480  
D801,082 S 10/2017 Onaiwu  
D812,344 S \* 3/2018 Brazile ..... A45F 3/005  
D2/627  
D847,536 S 5/2019 Patton et al.  
D864,609 S 10/2019 Lagun et al.  
2009/0250367 A1 \* 10/2009 Murdoch ..... B65D 81/057  
206/453  
2017/0318997 A1 \* 11/2017 Amrine ..... A47G 27/0206

## OTHER PUBLICATIONS

“ZC GEL rug Gripper (12 PCs) with Anti Curling,” date accessed  
Dec. 5, 2019] Amazon.com.

“Reusable Rug Grippers, FTLL 2019 Upgraded 9 PCS Non Slip  
Straight Carpet Tape, Stron (sic) Sticky Washable Rug Pad for  
Curled Corners and Edges,” date accessed Dec. 5, 2019, Amazon.  
com.

\* cited by examiner

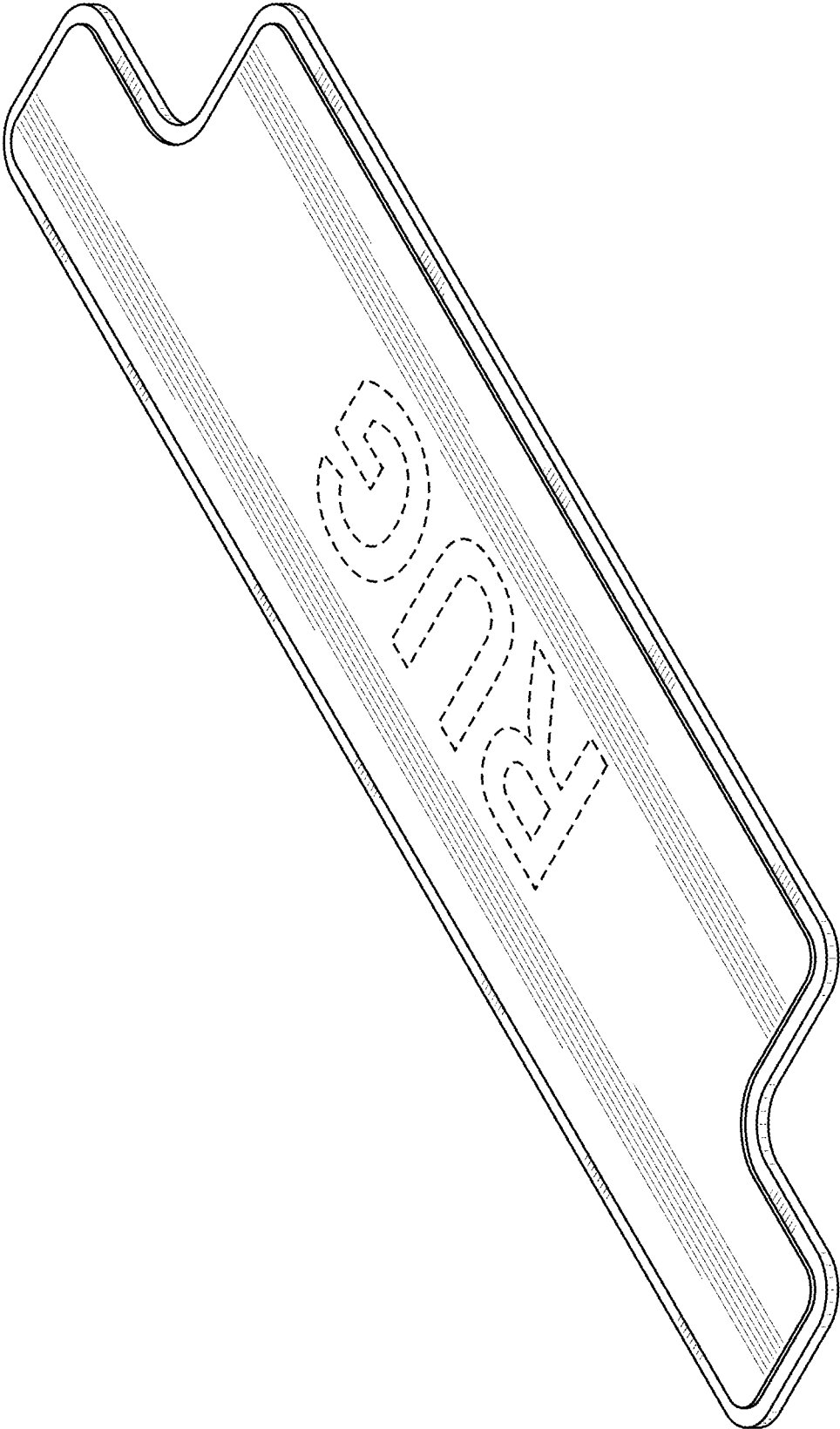


FIG. 1

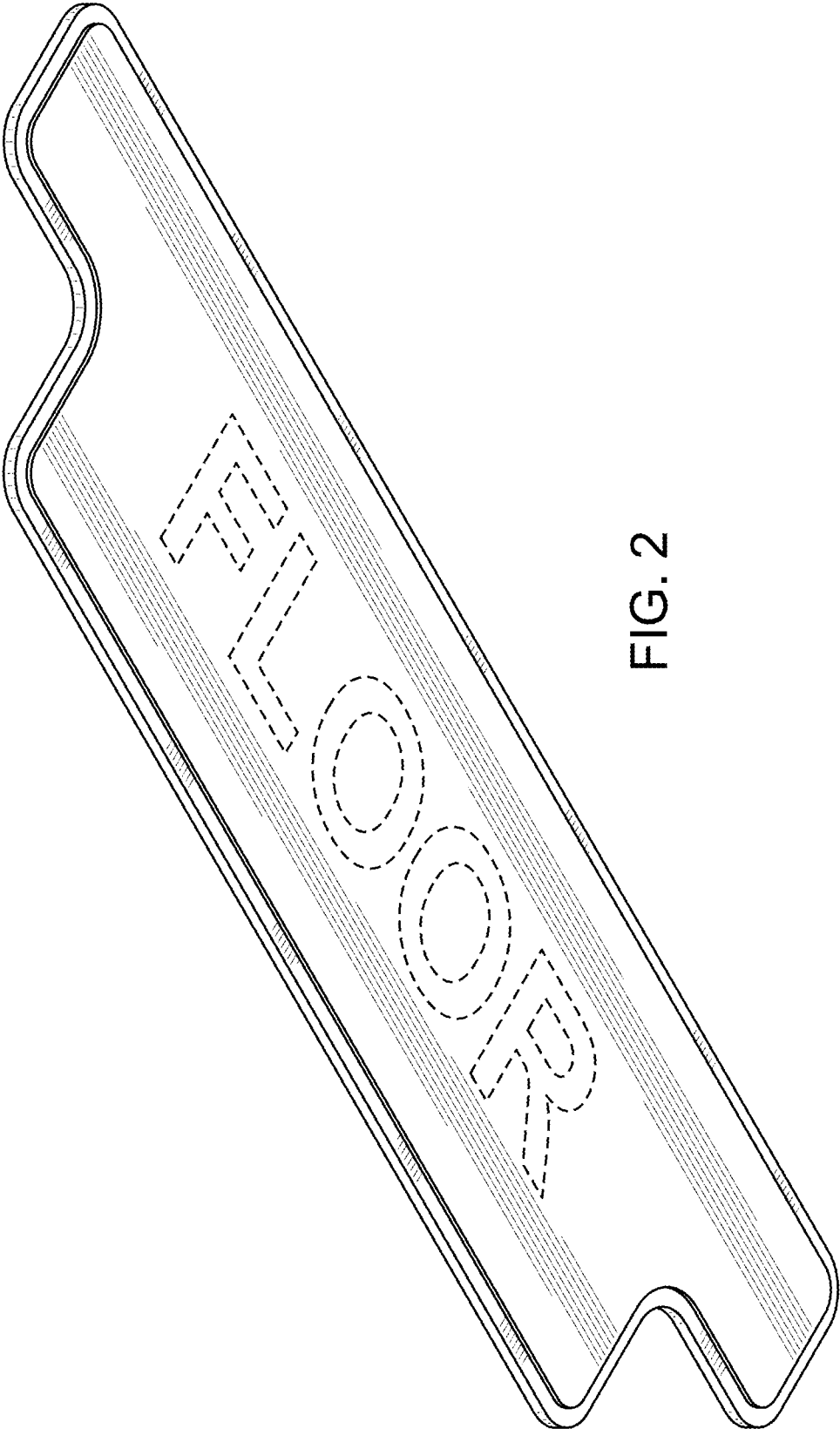


FIG. 2

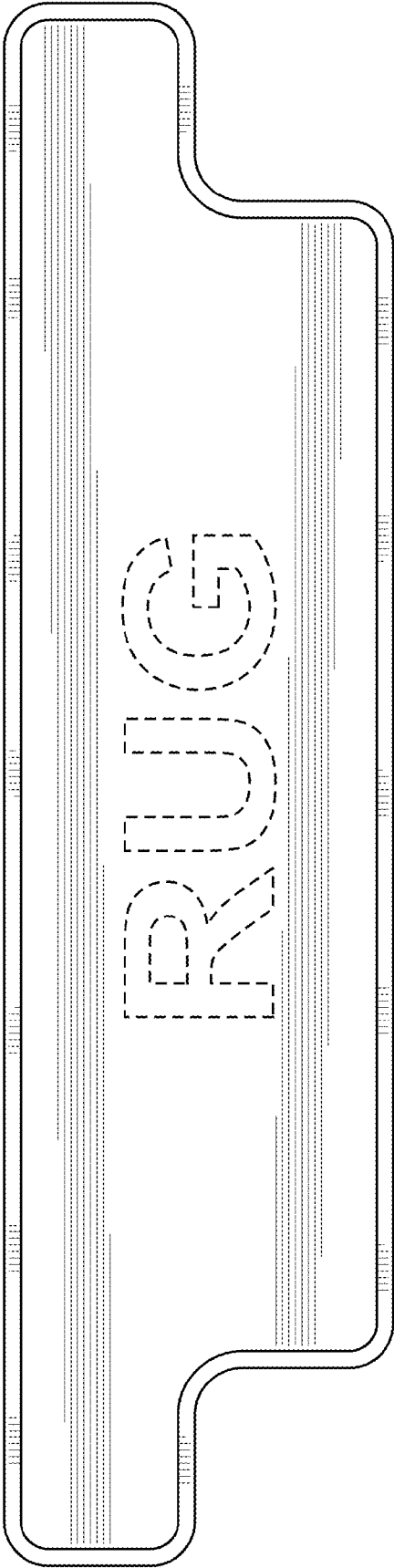


FIG. 3

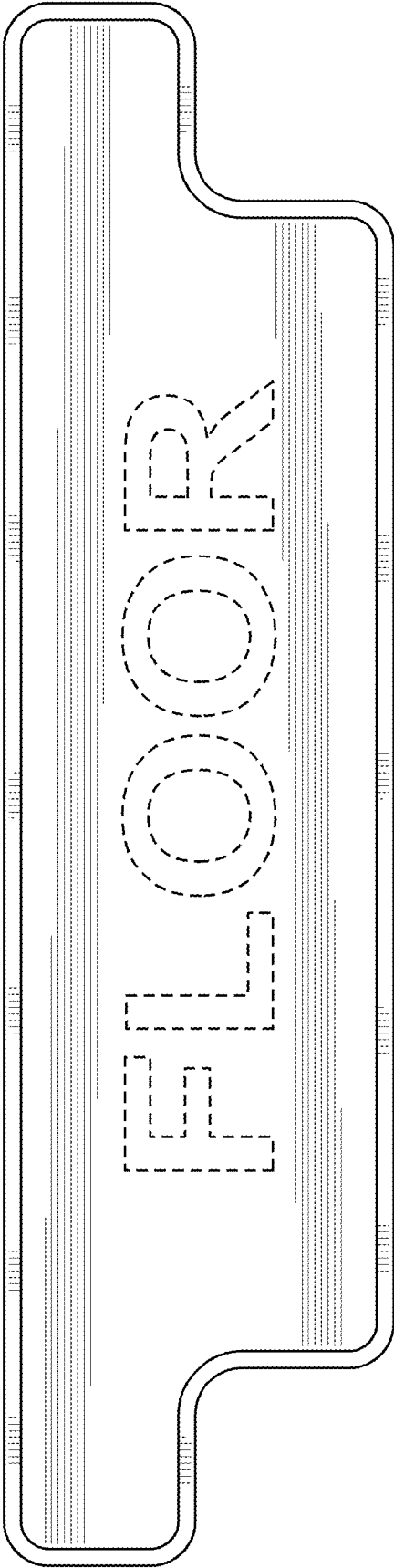


FIG. 4



FIG. 5



FIG. 6



FIG. 7



FIG. 8