



(12) **United States Design Patent**
Chen et al.

(10) **Patent No.:** **US D887,500 S**
(45) **Date of Patent:** **** Jun. 16, 2020**

- (54) **TOY BLOCK**
- (71) Applicant: **Flycatcher Corp LTD**, London (GB)
- (72) Inventors: **Shay Chen**, Hod Hasharon (IL);
Shachar Limor, Givat Shapira (IL)
- (73) Assignee: **FLYCATCHER CORP LTD**, London (GB)
- (**) Term: **15 Years**
- (21) Appl. No.: **29/636,277**
- (22) Filed: **Feb. 7, 2018**
- (51) **LOC (12) Cl.** **21-01**
- (52) **U.S. Cl.**
USPC **D21/505**
- (58) **Field of Classification Search**
USPC D21/468, 470, 471, 478, 479, 484-505
CPC A63H 33/04; A63H 33/044; A63H 33/06;
A63H 33/062; A63H 33/10; A63H
33/101; A63H 33/108
See application file for complete search history.

D368,939	S	4/1996	Frederiksen	
D546,899	S *	7/2007	Sorensen	D21/484
D641,054	S *	7/2011	Clausen	D21/503
D680,176	S *	4/2013	Chin	D21/495
D689,559	S *	9/2013	Klitsch	D21/505
8,616,899	B1	12/2013	Lin	
8,715,030	B2	5/2014	Chin	
D714,401	S	9/2014	Lin	
D721,406	S *	1/2015	Webb	D21/484
D749,680	S	2/2016	Lin	
D753,774	S *	4/2016	Proulx	D21/505
D758,502	S *	6/2016	Sorensen	D21/505
9,457,287	B1 *	10/2016	Lin	A63H 33/042
9,593,480	B2	3/2017	Vandenbempt	
D786,985	S *	5/2017	Ramiere	D21/505
D789,459	S *	6/2017	Ramiere	D21/505
9,841,180	B1 *	12/2017	Lin	F21V 15/01
D818,056	S	5/2018	Lo	
D849,853	S *	5/2019	Chen	D21/499

(Continued)

Primary Examiner — Cynthia M. Chin

(74) Attorney, Agent, or Firm — Michael J. Feigin, Esq.;
Feigin and Fridman LLC

(57) **CLAIM**

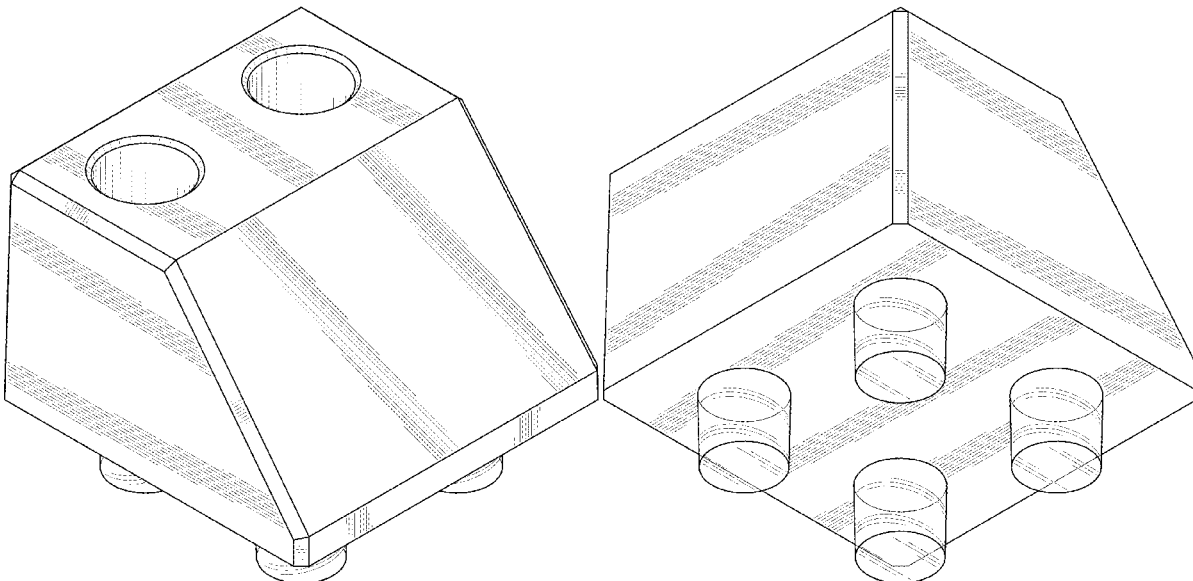
The ornamental design for a toy block, as shown and described.

DESCRIPTION

FIG. 1 shows a top and side perspective view of the toy block.
 FIG. 2 shows a bottom and side perspective thereof.
 FIG. 3 shows a top view thereof.
 FIG. 4 shows a bottom view thereof.
 FIG. 5 shows a first side view thereof.
 FIG. 6 shows a second side view thereof; and,
 FIG. 7 shows a third side view thereof, the reverse side being a mirror image thereof.
 FIG. 8 shows a cutaway view along section line 8-8 of FIG. 3.

1 Claim, 8 Drawing Sheets

- (56) **References Cited**
U.S. PATENT DOCUMENTS
- 3,034,254 A * 5/1962 Christiansen A63H 33/086
446/128
- D272,255 S * 1/1984 Chatani D21/502
- D285,705 S * 9/1986 Dideriksen D21/505
- 4,964,833 A 10/1990 Suzuki
- D312,105 S * 11/1990 Olsen D21/497
- D315,381 S * 3/1991 Meyer D21/505
- D316,430 S * 4/1991 Andersen D21/505
- D318,077 S * 7/1991 Larsen D21/505
- D318,696 S * 7/1991 Hoyer D21/503
- D335,160 S * 4/1993 Knudsen D21/505
- D343,426 S * 1/1994 Sher 446/128
- D352,077 S * 11/1994 Sher D21/505
- D359,997 S * 7/1995 Knudsen D21/505



(56)

References Cited

U.S. PATENT DOCUMENTS

2004/0185745	A1	9/2004	Reining	
2011/0021107	A1*	1/2011	Nag	A63H 33/042 446/91
2012/0252307	A1	10/2012	Lin	
2013/0109268	A1*	5/2013	Lin	A63H 33/042 446/91
2018/0056205	A1*	3/2018	Lu	F21V 23/06

* cited by examiner

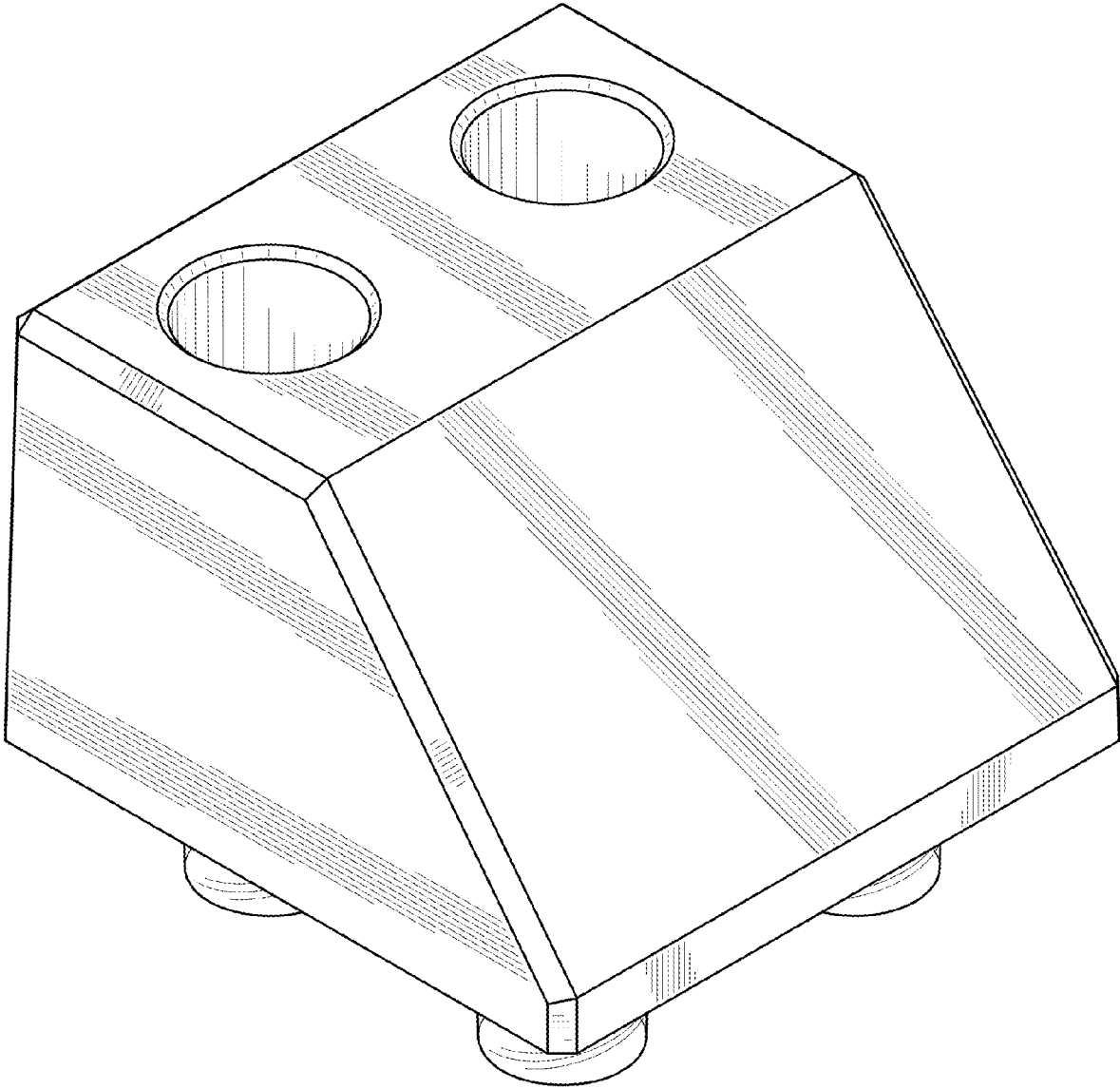


FIG. 1

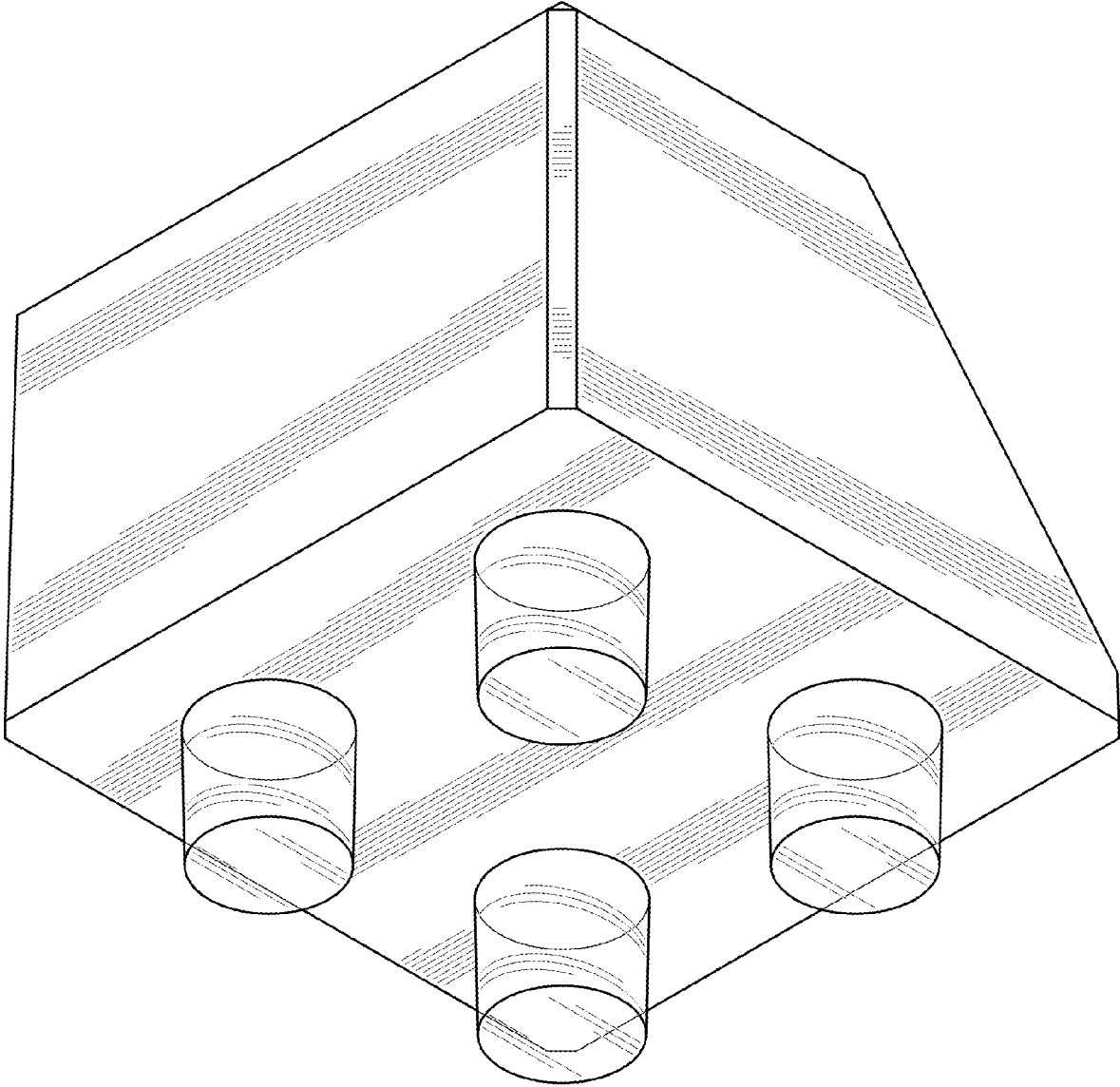


FIG. 2

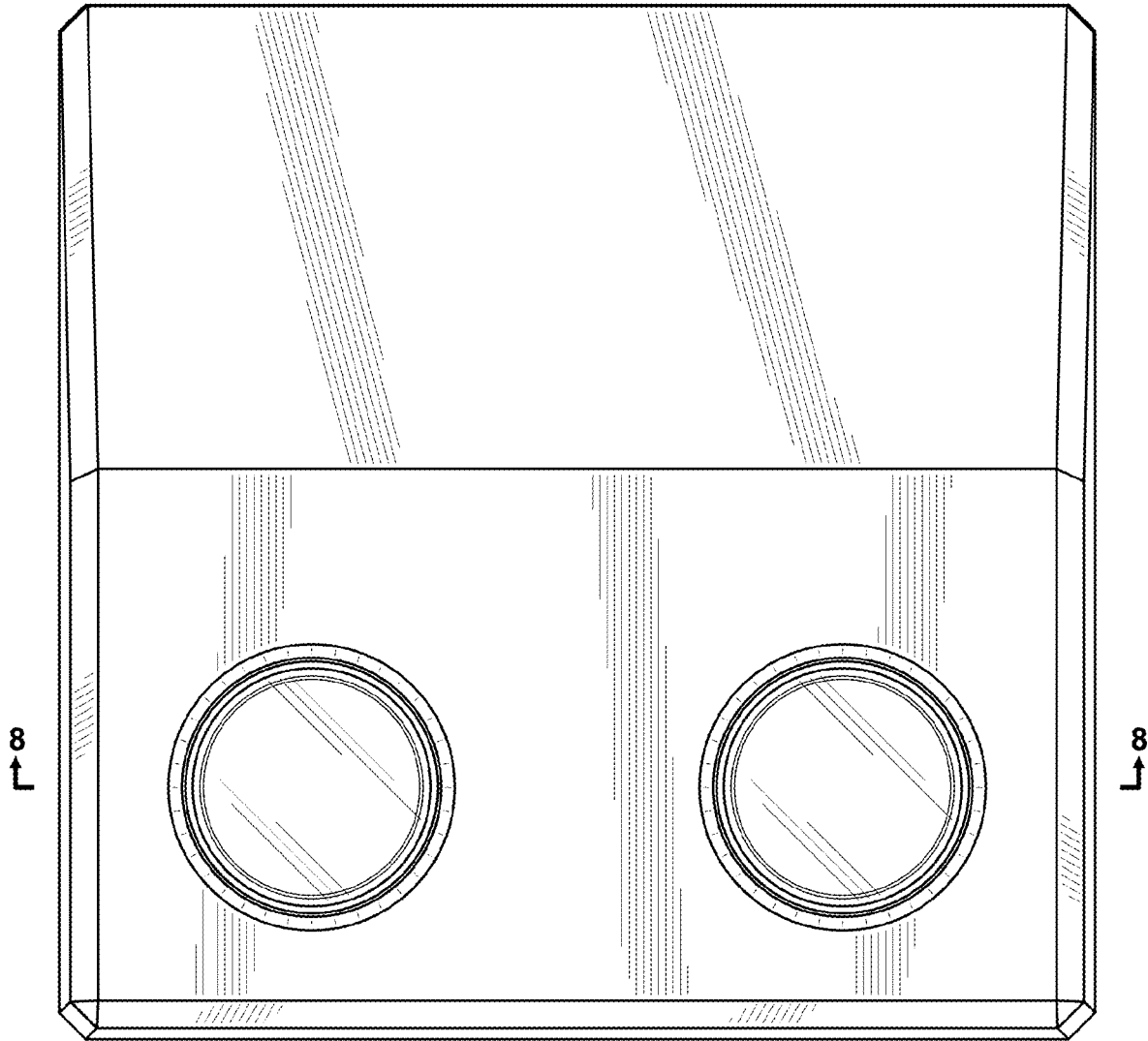


FIG. 3

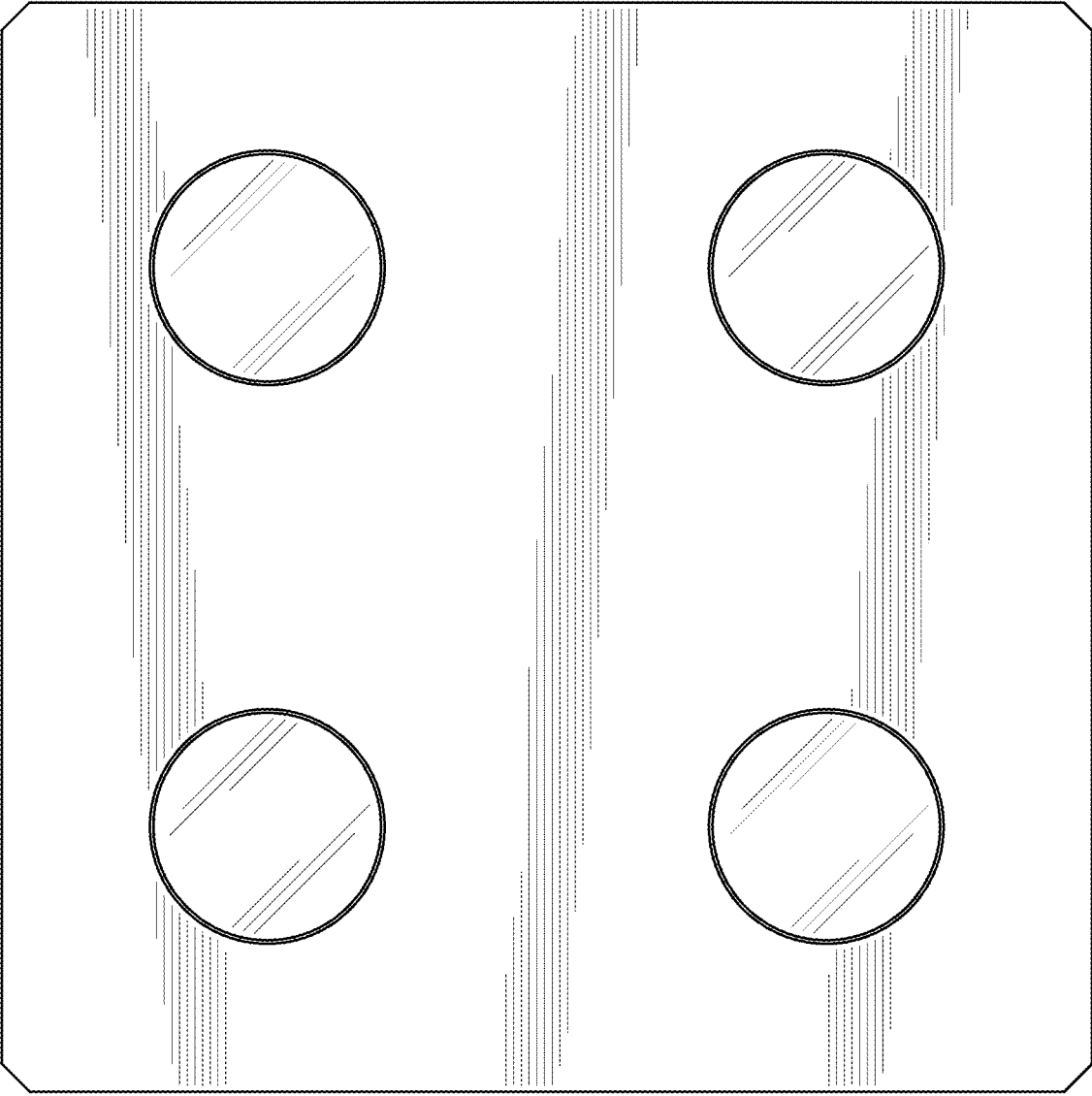


FIG. 4

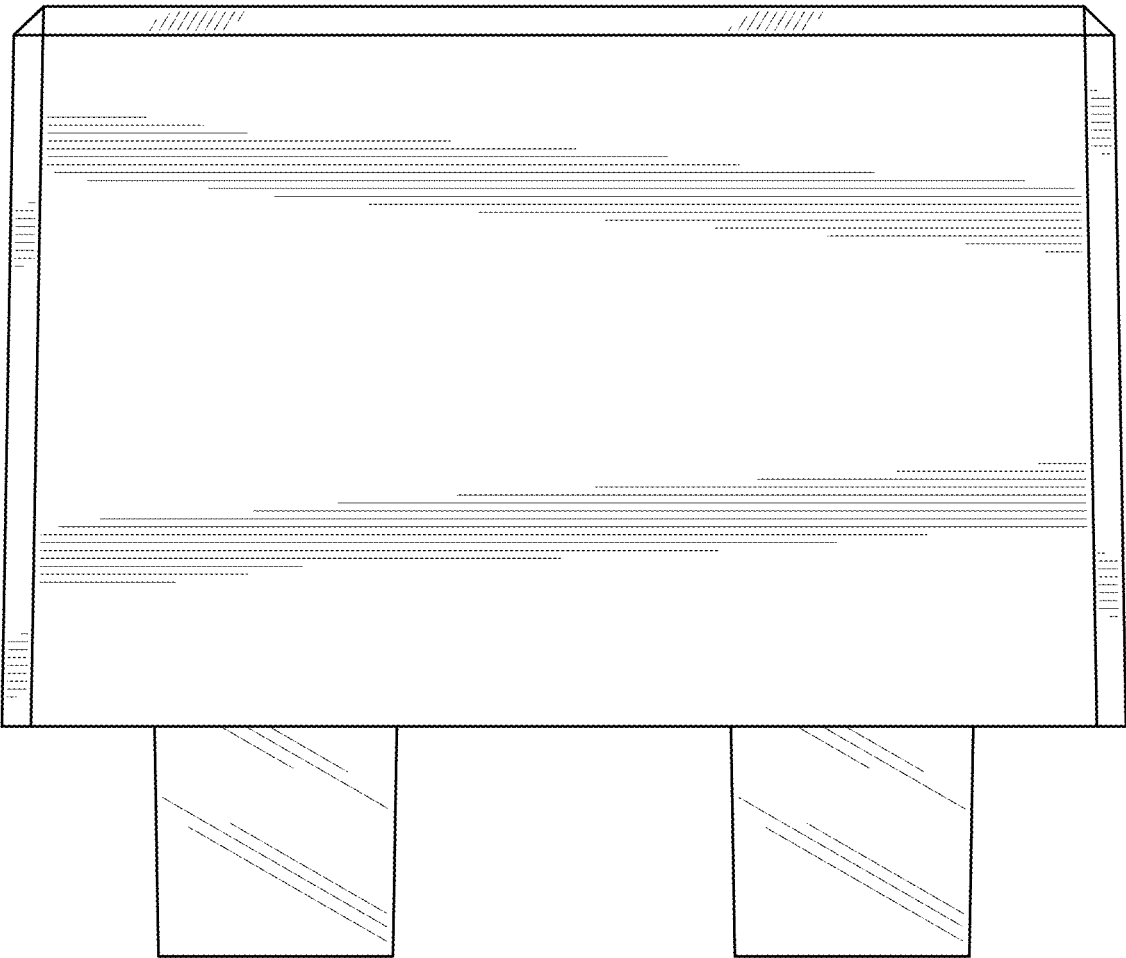


FIG. 5

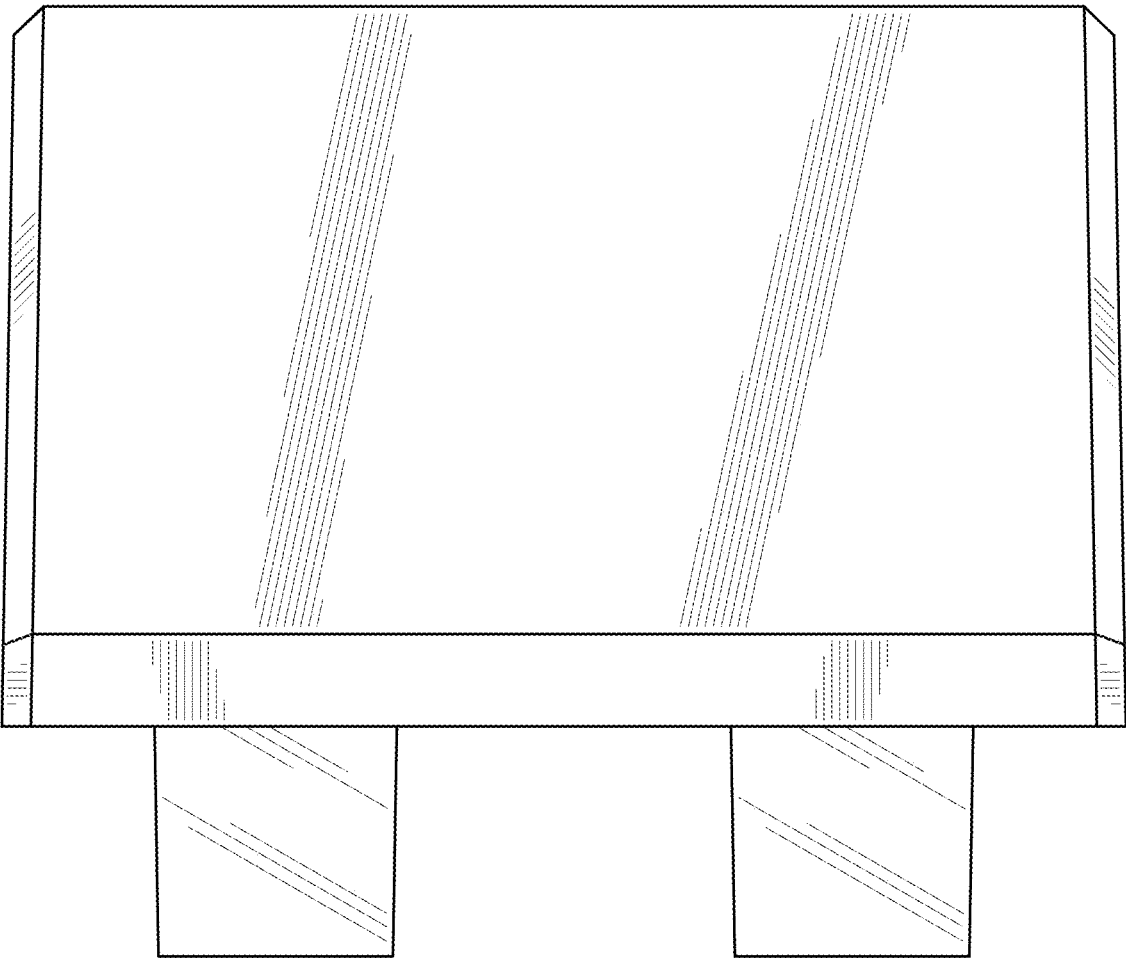


FIG. 6

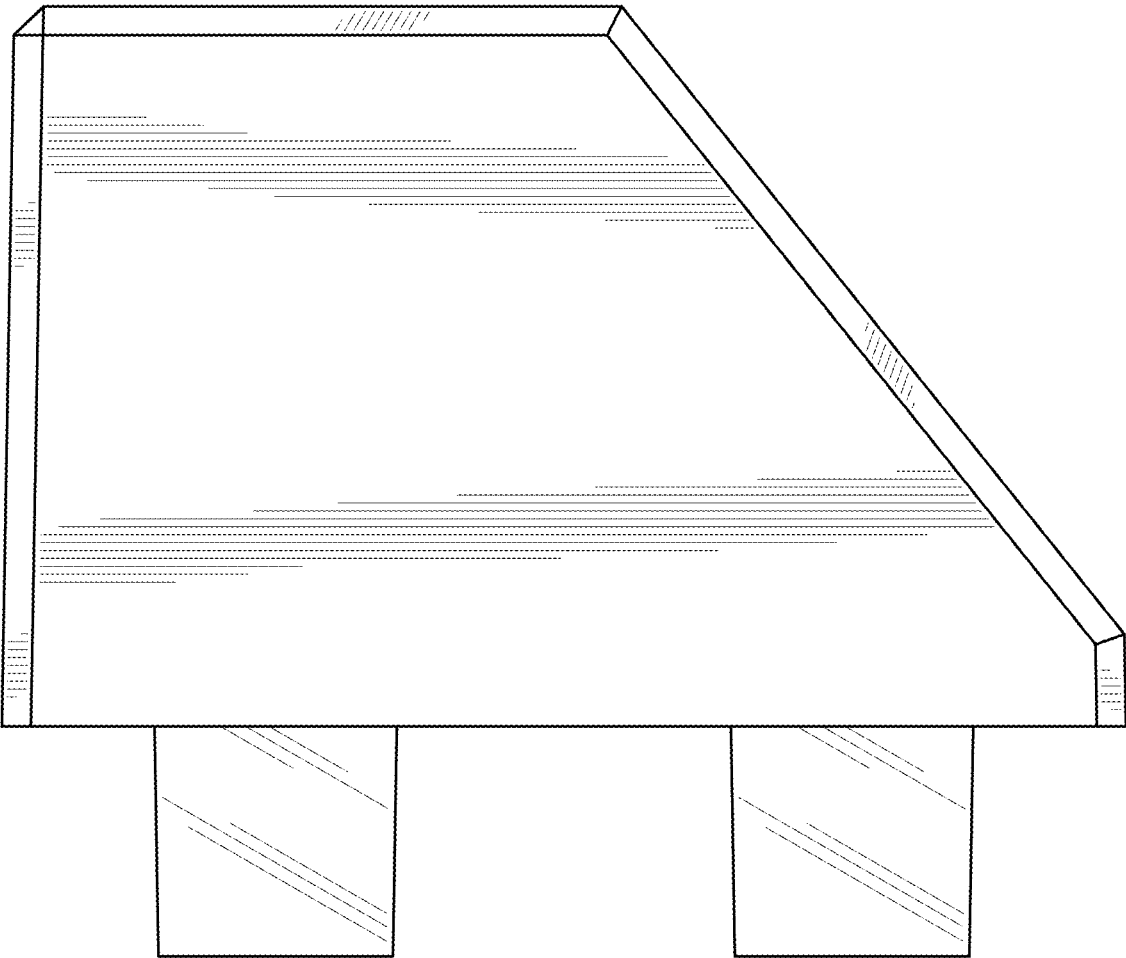


FIG. 7

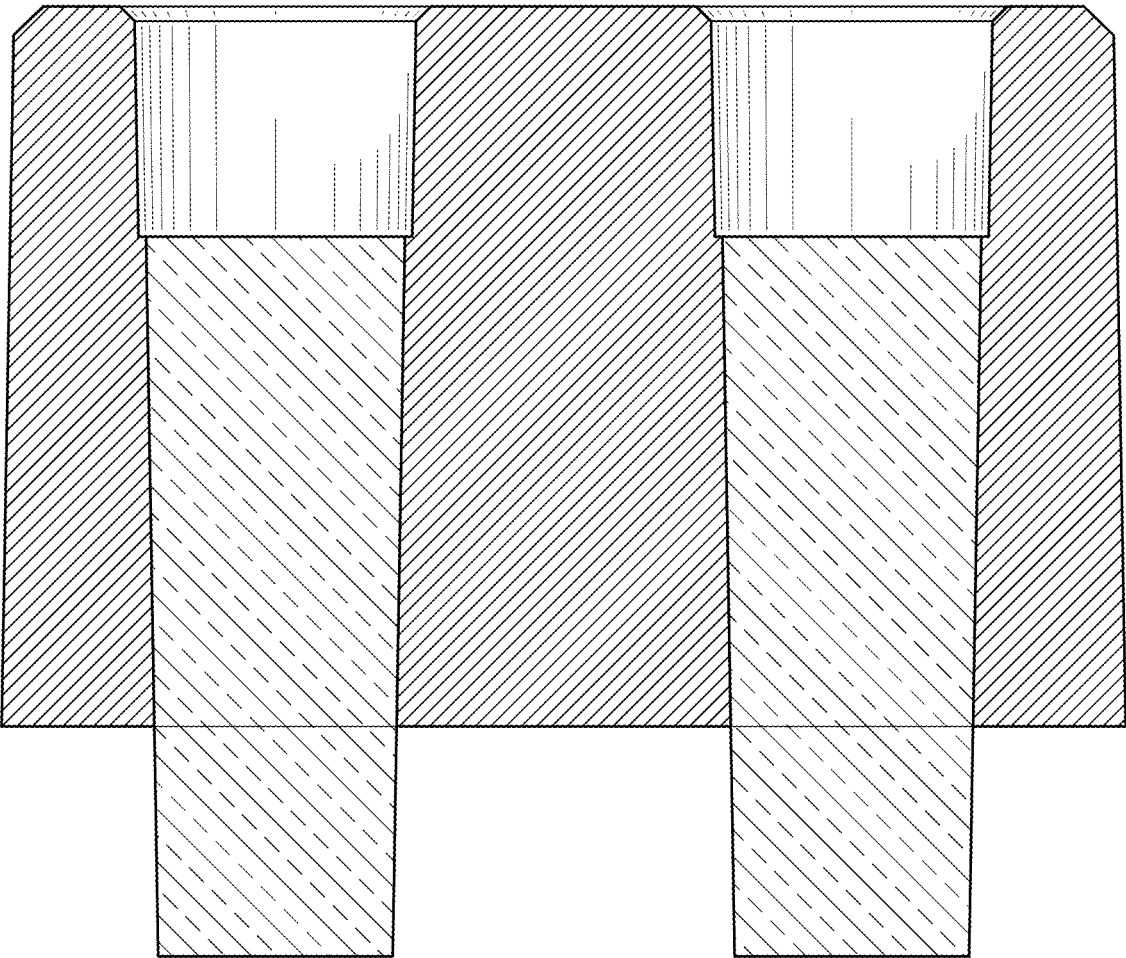


FIG. 8