



US00D890581S

(12) **United States Design Patent**
Gonzalez

(10) **Patent No.:** **US D890,581 S**

(45) **Date of Patent:** **** Jul. 21, 2020**

- (54) **LUNCH BAG**
- (71) Applicant: **Omar Gonzalez**, Wayne, NJ (US)
- (72) Inventor: **Omar Gonzalez**, Wayne, NJ (US)
- (**) Term: **15 Years**
- (21) Appl. No.: **29/641,806**
- (22) Filed: **Mar. 26, 2018**
- (51) **LOC (12) Cl.** **09-03**
- (52) **U.S. Cl.**
USPC **D7/709**
- (58) **Field of Classification Search**
USPC D7/391, 392.1, 629-630, 705, 607;
D6/675, 675.1, 675.3-675.4, 681,
D6/690-691; D9/432, 435, 751-752,
D9/759-760, 770, 525, 683, 695;
206/203, 518, 557, 170, 218, 591, 600,
206/541-542; D19/92, 101-105, 107;
D32/53.1, 55; D3/303-305, 232, 324,
D3/285, 289, 301, 902; D23/393
CPC . A47J 47/02; A47J 47/06; A47J 47/10; A47G
23/04; A47G 23/0683; A47G 23/06;
B65D 1/00; B65D 45/12; B65D 45/16;
B65D 45/18; B65D 45/20; B65D 45/22;
B65D 45/30; B65D 11/10; B65D 53/02;
B65D 21/086
See application file for complete search history.

| | | | | |
|---------------|---------|------------|-------|-------------|
| 4,932,506 A * | 6/1990 | Kim | | A45C 5/00 |
| | | | | 150/128 |
| D321,593 S * | 11/1991 | Kim | | D3/289 |
| D354,396 S * | 1/1995 | Lowenstein | | D3/276 |
| 5,421,172 A * | 6/1995 | Jones | | F25D 3/08 |
| | | | | 62/457.5 |
| D376,045 S * | 12/1996 | Bernstein | | D3/287 |
| D379,267 S * | 5/1997 | Roegner | | D3/285 |
| D396,750 S * | 8/1998 | Slater | | D3/284 |
| D412,267 S * | 7/1999 | Anderson | | D7/605 |
| D422,181 S * | 4/2000 | Birutis | | D7/607 |
| 6,105,779 A * | 8/2000 | Simpson | | A45C 13/103 |
| | | | | 206/424 |
| D434,282 S * | 11/2000 | Daw | | D7/709 |

(Continued)

FOREIGN PATENT DOCUMENTS

| | | | |
|----|----------------|---|---------|
| CA | 179460 | * | 12/2018 |
| JP | D1348559 | * | 1/2009 |
| WO | WO-D090776-003 | * | 7/2016 |

Primary Examiner — Marissa J Cash
Assistant Examiner — Altaira J Swangin
 (74) *Attorney, Agent, or Firm* — Michael J. Feigin, Esq.;
 Feigin and Fridman LLC

(57) **CLAIM**

The ornamental design for the lunch bag, as shown and described.

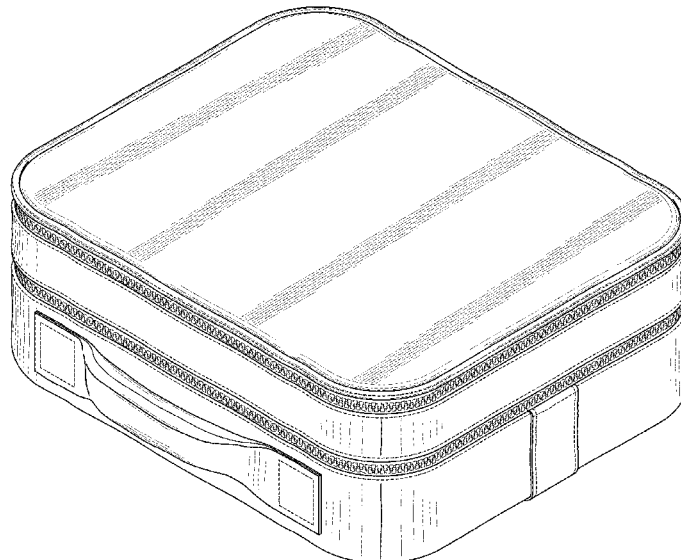
DESCRIPTION

FIG. 1 shows a top perspective view of a lunch bag.
 FIG. 2 shows a top plan view of the lunch bag.
 FIG. 3 shows a bottom plan view of the lunch bag.
 FIG. 4 shows a front elevation of the lunch bag.
 FIG. 5 shows a rear elevation of the lunch bag; and,
 FIG. 6 shows a left side elevation view of the lunch bag, the right elevation view being a mirror image thereof.
 The broken lines, shown in the drawings, illustrate claimed stitching of the lunch bag.

1 Claim, 6 Drawing Sheets

(56) **References Cited**
 U.S. PATENT DOCUMENTS

| | | | | |
|--------------|---------|----------|-------|--------|
| D231,869 S * | 6/1974 | Ohyama | | D3/283 |
| D236,758 S * | 9/1975 | Sollazzi | | D3/289 |
| D242,181 S * | 11/1976 | Davis | | D3/321 |
| D242,183 S * | 11/1976 | Davis | | D3/321 |
| D248,188 S * | 6/1978 | Tweddie | | D3/289 |
| D262,669 S * | 1/1982 | Davis | | D3/289 |
| D270,969 S * | 10/1983 | Stark | | D3/279 |
| D294,085 S * | 2/1988 | Gibbs | | D3/287 |



(56)

References Cited

U.S. PATENT DOCUMENTS

| | | | | | | | | | |
|-----------|------|---------|------------------|------------|--------------|------|---------|-----------------|--------------|
| 6,144,016 | A * | 11/2000 | Garvin | A45C 11/20 | D685,185 | S * | 7/2013 | Bulzis | D3/266 |
| | | | | 206/550 | D723,804 | S * | 3/2015 | Coleman | D3/301 |
| 6,347,706 | B1 * | 2/2002 | D'Ambrosio | A45C 11/20 | D731,792 | S * | 6/2015 | Lentner | D3/285 |
| | | | | 206/232 | D739,655 | S * | 9/2015 | Coleman | D3/285 |
| D455,551 | S * | 4/2002 | Stephens | D3/276 | D742,115 | S * | 11/2015 | Besner | D3/249 |
| D457,314 | S * | 5/2002 | Stephens | D3/276 | D776,431 | S * | 1/2017 | Braendle | D3/318 |
| D467,427 | S * | 12/2002 | Wolf | D3/276 | D787,174 | S * | 5/2017 | Oie | D3/20 |
| D479,652 | S * | 9/2003 | Hassett | D3/289 | D790,933 | S * | 7/2017 | Solly | D7/607 |
| D480,209 | S * | 10/2003 | Davis | D3/276 | D796,843 | S * | 9/2017 | Connor | D3/285 |
| D512,216 | S * | 12/2005 | Joyce | D3/203.6 | D833,745 | S * | 11/2018 | Barenbrug | D3/287 |
| 7,004,323 | B1 * | 2/2006 | Symonds | A45C 11/20 | D844,323 | S * | 4/2019 | Shuai | D3/274 |
| | | | | 206/542 | D850,105 | S * | 6/2019 | Case | D3/289 |
| D516,870 | S * | 3/2006 | Martinez | D3/289 | D857,390 | S * | 8/2019 | Kwon | D3/301 |
| D522,811 | S * | 6/2006 | Martinez | D7/607 | D862,991 | S * | 10/2019 | LaMance | B65D 25/2873 |
| D524,050 | S * | 7/2006 | Suppangig | D3/289 | | | | | D7/607 |
| D560,361 | S * | 1/2008 | Huang | D3/301 | D867,759 | S * | 11/2019 | Liu | D3/303 |
| 7,334,684 | B1 * | 2/2008 | Fontanilla | A45C 11/20 | D874,146 | S * | 2/2020 | Rogers | D3/301 |
| | | | | 190/110 | D874,147 | S * | 2/2020 | Rogers | D3/301 |
| D566,484 | S * | 4/2008 | George | D3/294 | 2002/0153216 | A1 * | 10/2002 | Krulik | A45C 7/0027 |
| D588,799 | S * | 3/2009 | Garland | D3/205 | | | | | 190/103 |
| D605,854 | S * | 12/2009 | Gracer | D3/289 | 2003/0029770 | A1 * | 2/2003 | MacKinnon | A45C 11/00 |
| D615,296 | S * | 5/2010 | Bassee | D3/232 | | | | | 206/553 |
| D618,966 | S * | 7/2010 | Koehler | D7/607 | 2005/0150807 | A1 * | 7/2005 | Siwak | A45C 7/0022 |
| D632,079 | S * | 2/2011 | Spencer | D3/301 | | | | | 206/542 |
| D639,064 | S * | 6/2011 | Raible | D3/301 | 2015/0135646 | A1 * | 5/2015 | Goenka | B65D 21/086 |
| | | | | | | | | | 53/436 |
| | | | | | 2016/0355319 | A1 * | 12/2016 | Stephens | A45C 11/20 |
| | | | | | 2019/0281940 | A1 * | 9/2019 | Stephens | A45C 13/26 |

* cited by examiner

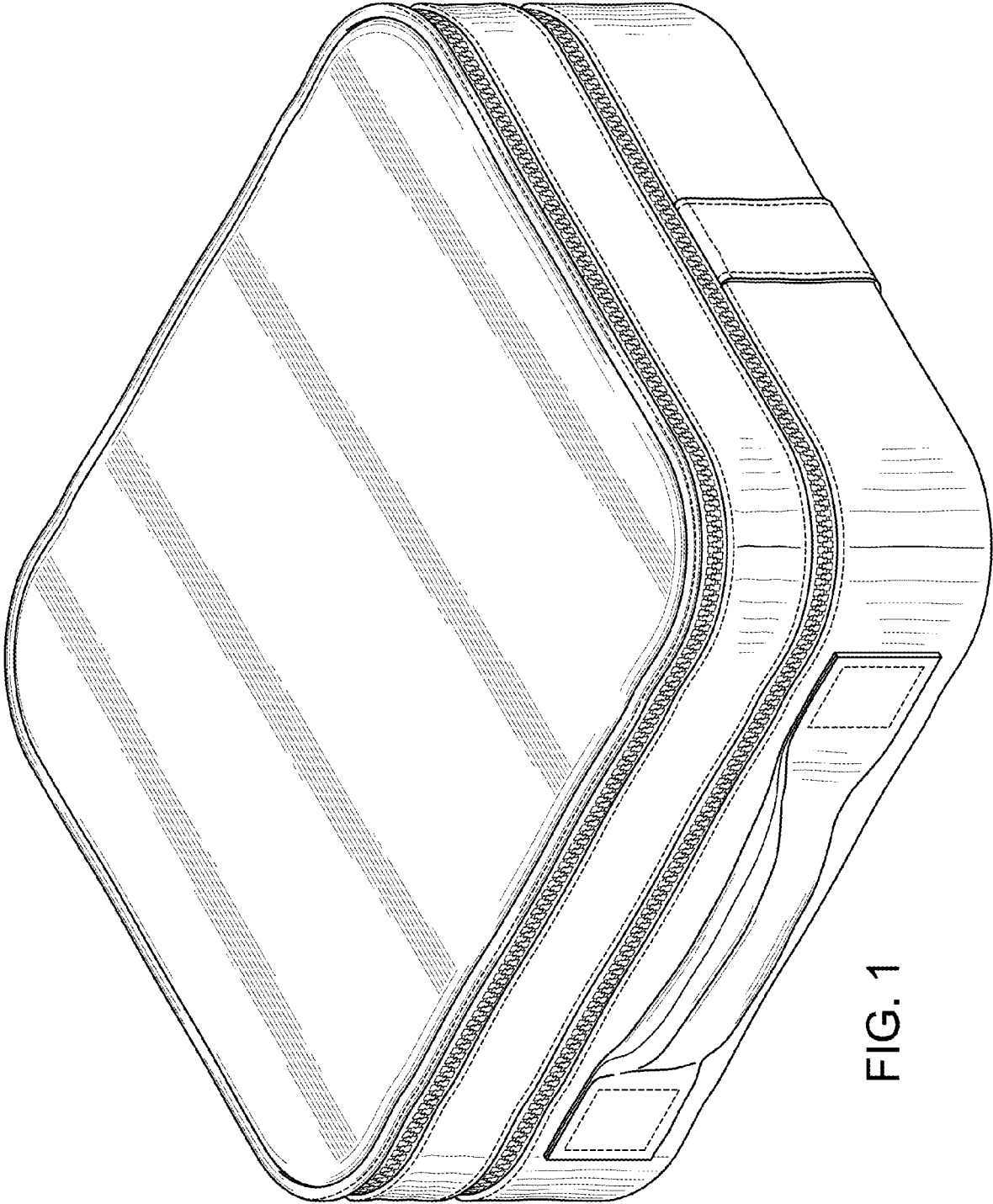


FIG. 1

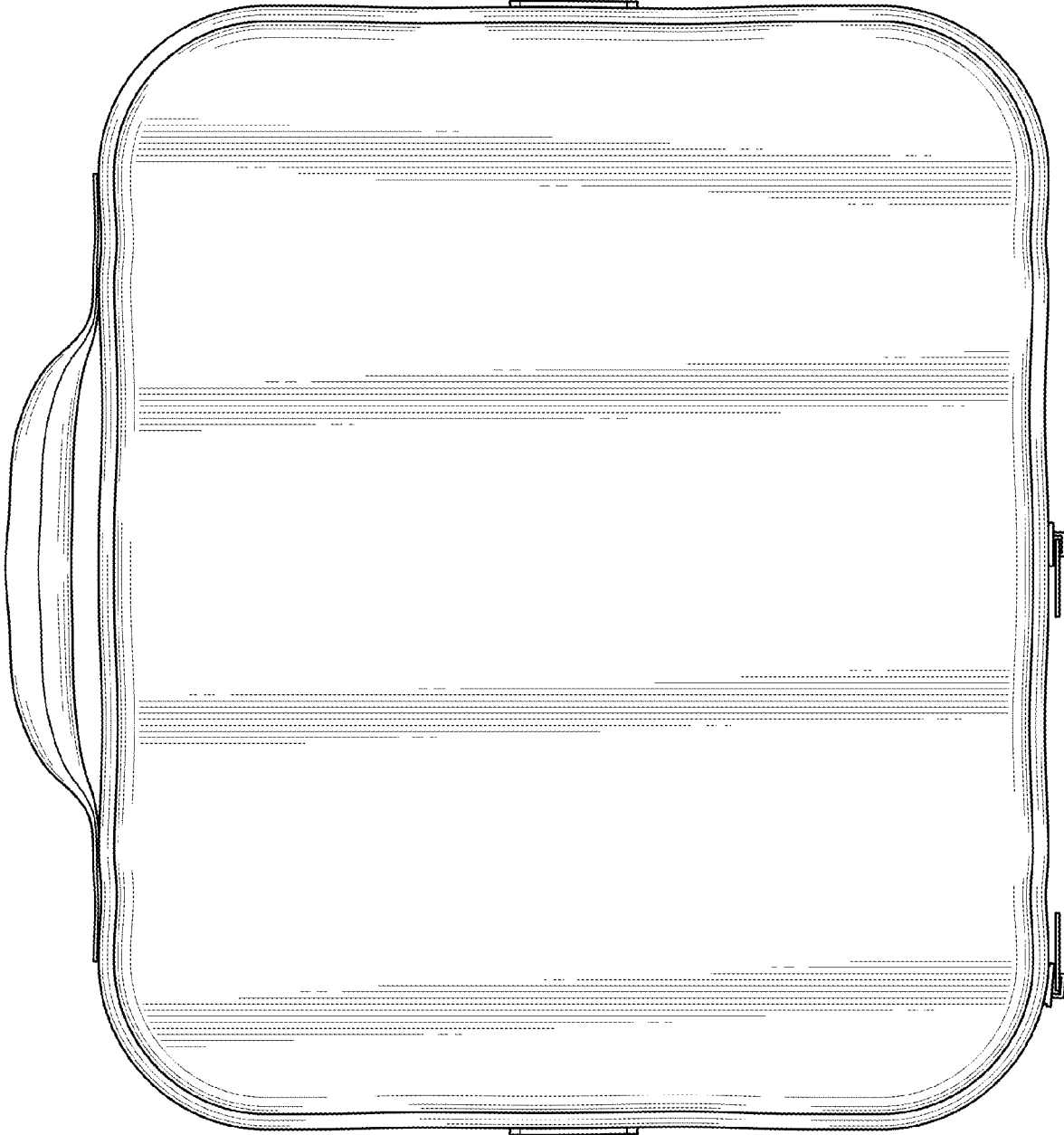


FIG. 2



FIG. 3

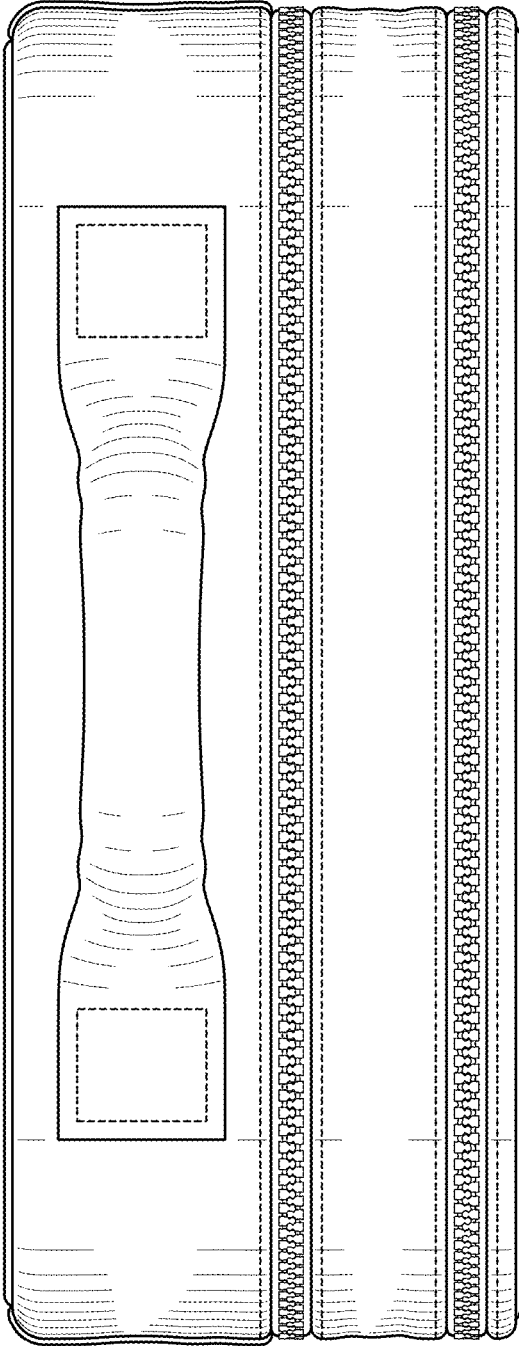


FIG. 4

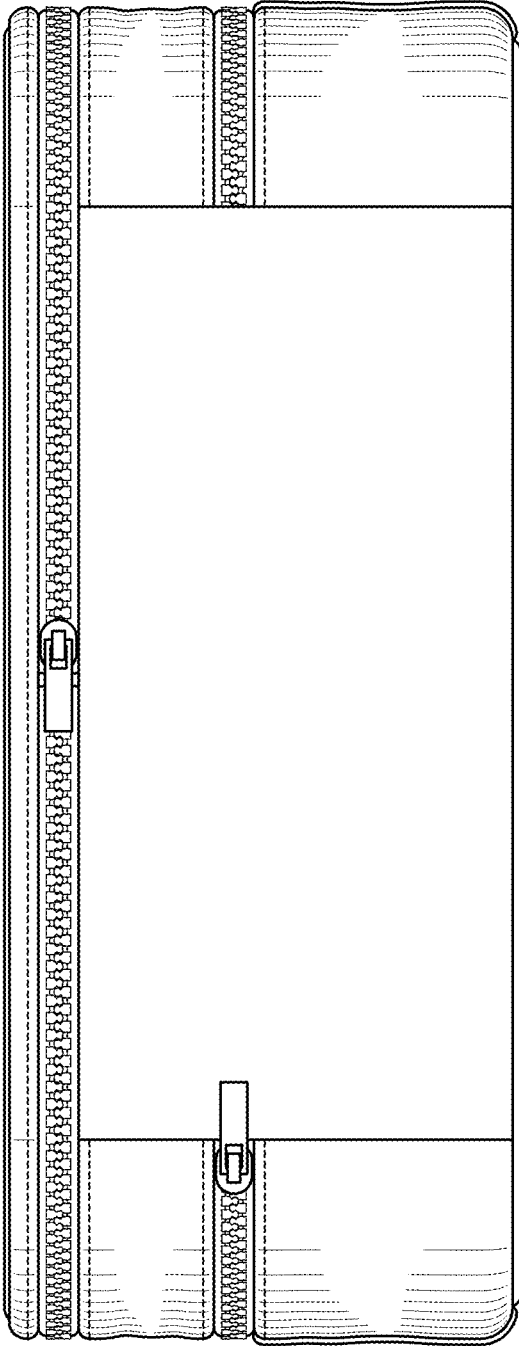


FIG. 5

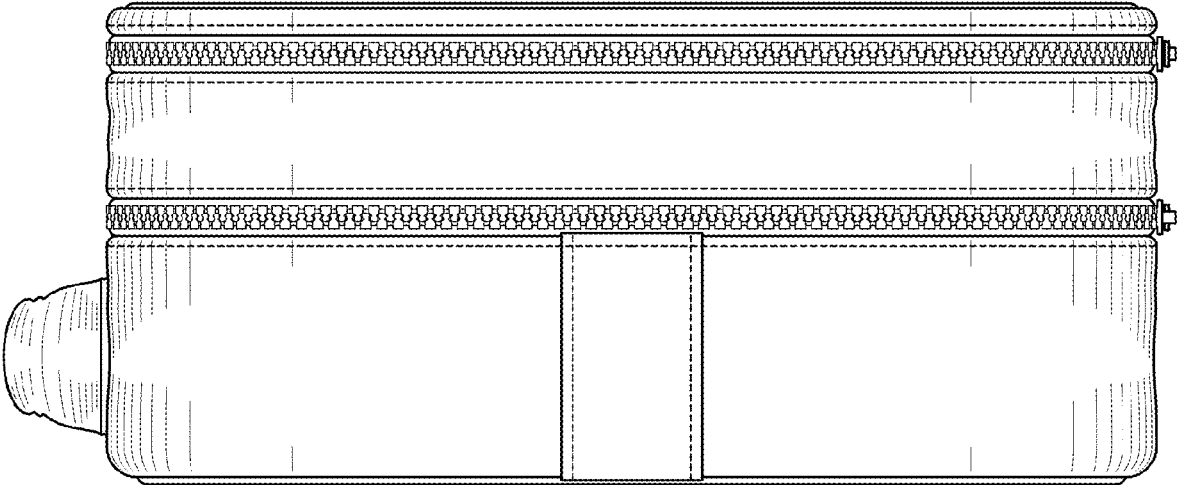


FIG. 6