



US00D892457S

(12) **United States Design Patent**
Chen

(10) **Patent No.:** **US D892,457 S**

(45) **Date of Patent:** **** Aug. 11, 2020**

- (54) **HAT**
- (71) Applicant: **Ding Hu Chen**, New York, NY (US)
- (72) Inventor: **Ding Hu Chen**, New York, NY (US)
- (**) Term: **15 Years**
- (21) Appl. No.: **29/647,478**
- (22) Filed: **May 14, 2018**
- (51) **LOC (12) Cl.** **02-03**
- (52) **U.S. Cl.**
USPC **D2/882**
- (58) **Field of Classification Search**
USPC D2/865, 866, 875, 876, 877, 878, 879,
D2/880, 881, 882, 883, 884, 885, 886,
D2/887, 888, 891, 893
CPC A42B 1/00; A42B 1/002; A42B 1/004;
A42B 1/006; A42B 1/02; A42B 1/062;
A42B 1/063; A42B 1/201; A42B 1/225;
A42C 5/04
See application file for complete search history.

D501,981 S *	2/2005	Kim	D2/882
D504,003 S *	4/2005	Lee	D2/882
D552,830 S *	10/2007	Irwin	D2/882
D670,892 S *	11/2012	Epstein	D2/882
D707,018 S *	6/2014	Hart	D2/882
D771,913 S *	11/2016	Hernandez, Jr.	D2/882

* cited by examiner

Primary Examiner — Jasmine Mlinarcik
(74) *Attorney, Agent, or Firm* — Michael J. Feigin, Esq.;
Feigin and Fridman LLC

(57) **CLAIM**
The ornamental design for a hat, as shown and described.

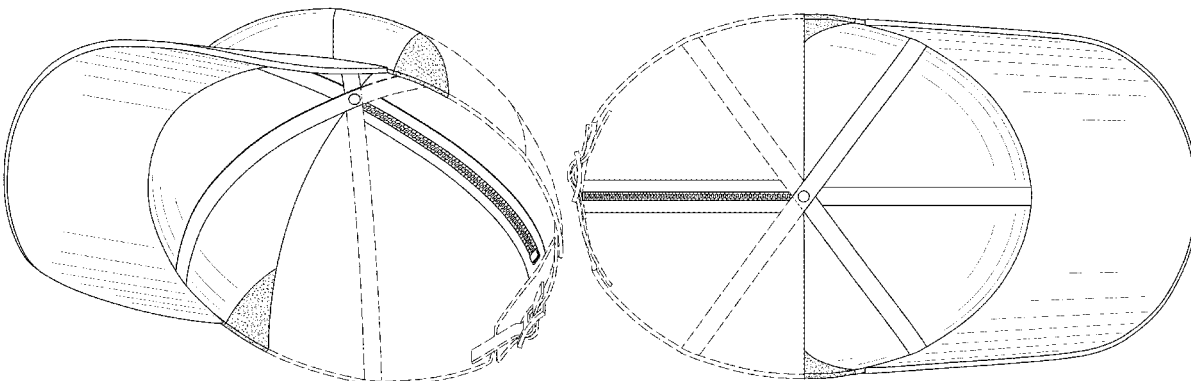
DESCRIPTION

FIG. 1 is a top and side perspective view of a hat;
 FIG. 2 is a bottom and side perspective view thereof;
 FIG. 3 is a side elevation view thereof, the opposite side
 being a mirror image thereof;
 FIG. 4 is a top plan view thereof;
 FIG. 5 is a bottom plan view thereof;
 FIG. 6 is a front elevation view thereof; and,
 FIG. 7 is a rear elevation view thereof.

The portions of the hat illustrated in long even length broken lines and the unshaded areas within the long even length broken lines adjacent to the solid lines of the hat depict portions of the hat that form no part of the claimed design. The short dashed broken lines in FIGS. 2 and 5 form a boundary to the claimed design and form no part of the claimed design.

1 Claim, 7 Drawing Sheets

- (56) **References Cited**
U.S. PATENT DOCUMENTS
D340,344 S * 10/1993 McPherson D2/866
5,875,494 A * 3/1999 Garnier, Jr. A42B 1/225
2/171.5
D414,593 S * 10/1999 Knapp D2/866
D424,282 S * 5/2000 Crumpton D2/876
D491,715 S * 6/2004 Park D2/882



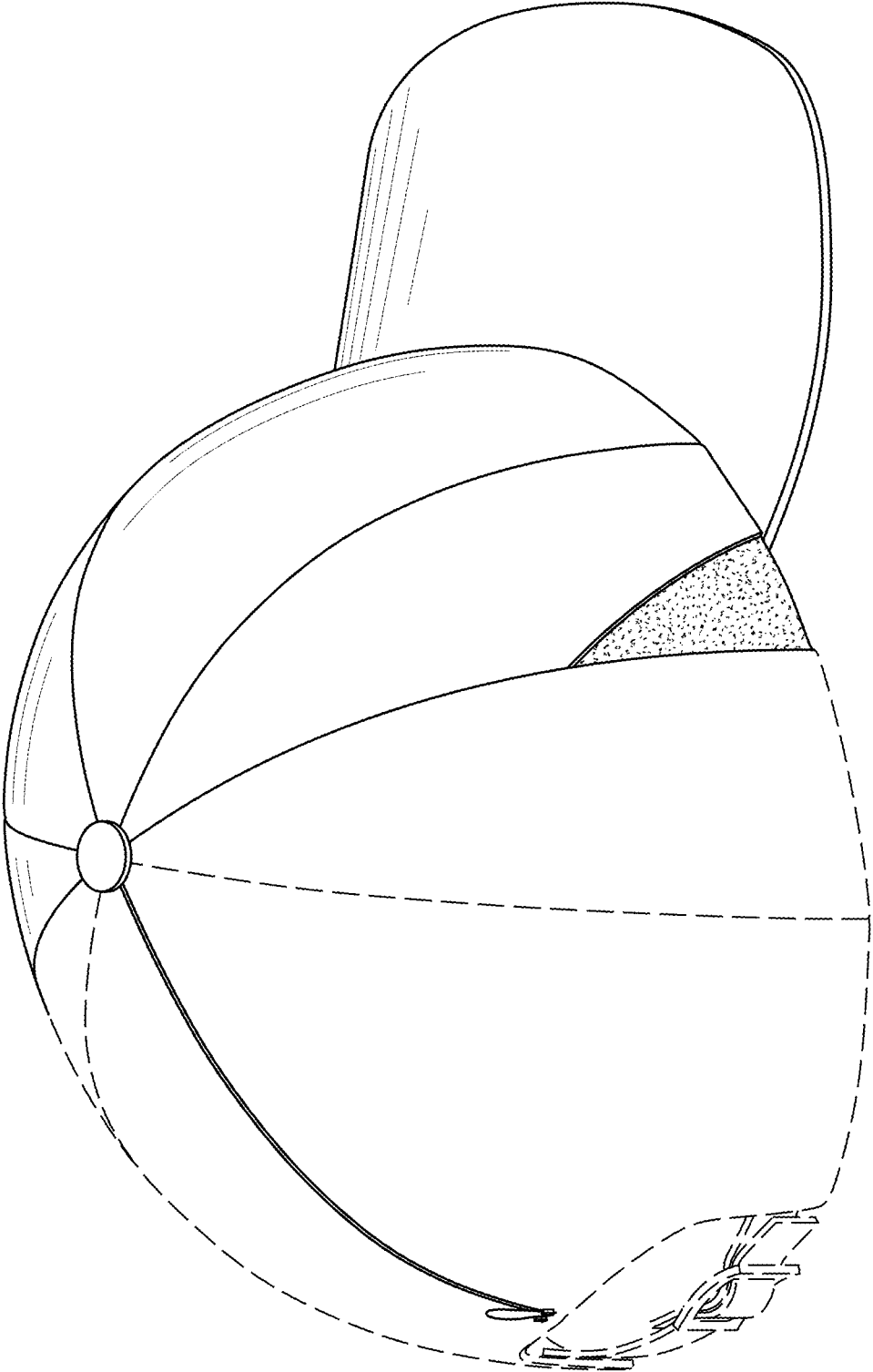


FIG. 1

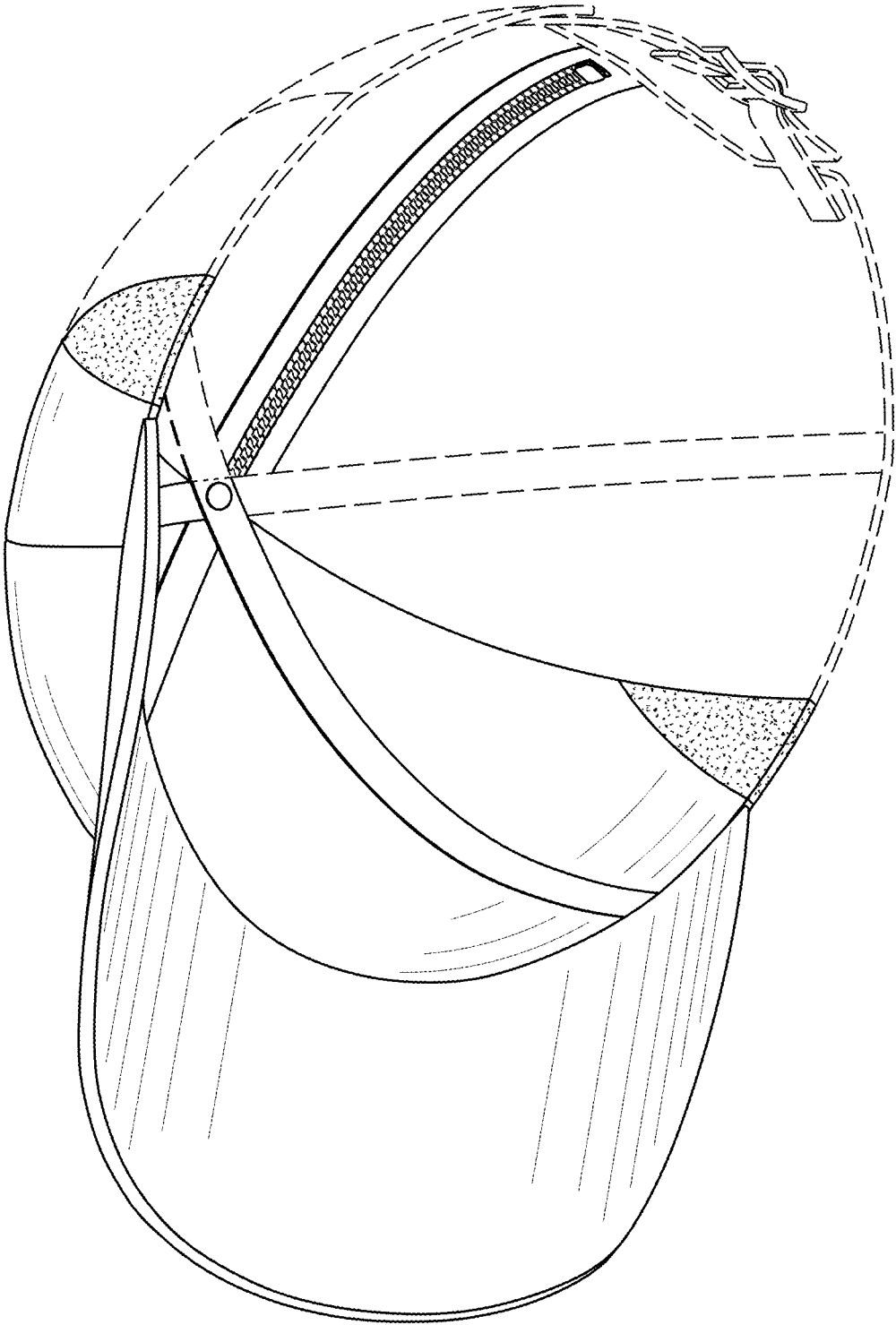


FIG. 2

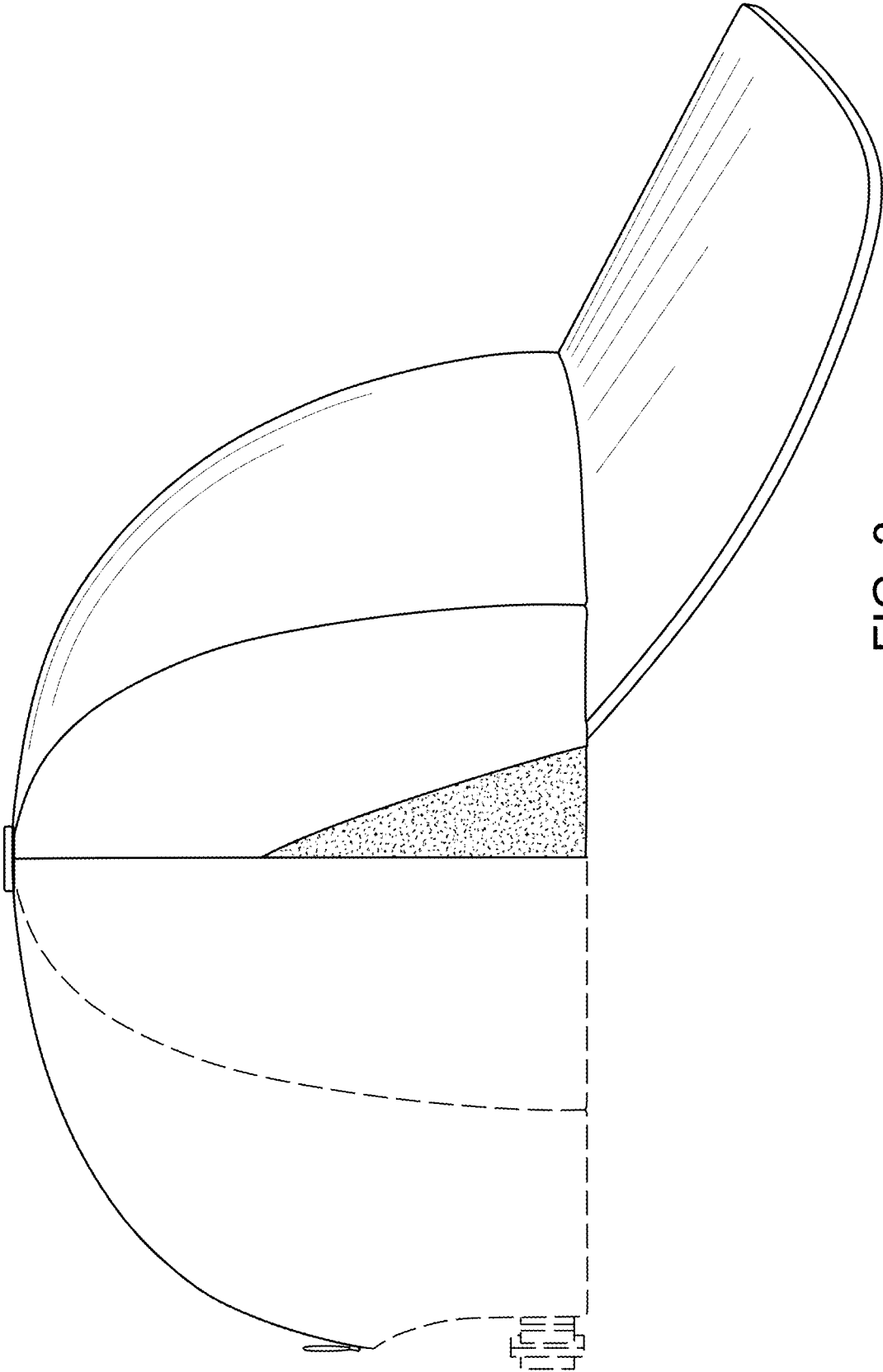


FIG. 3

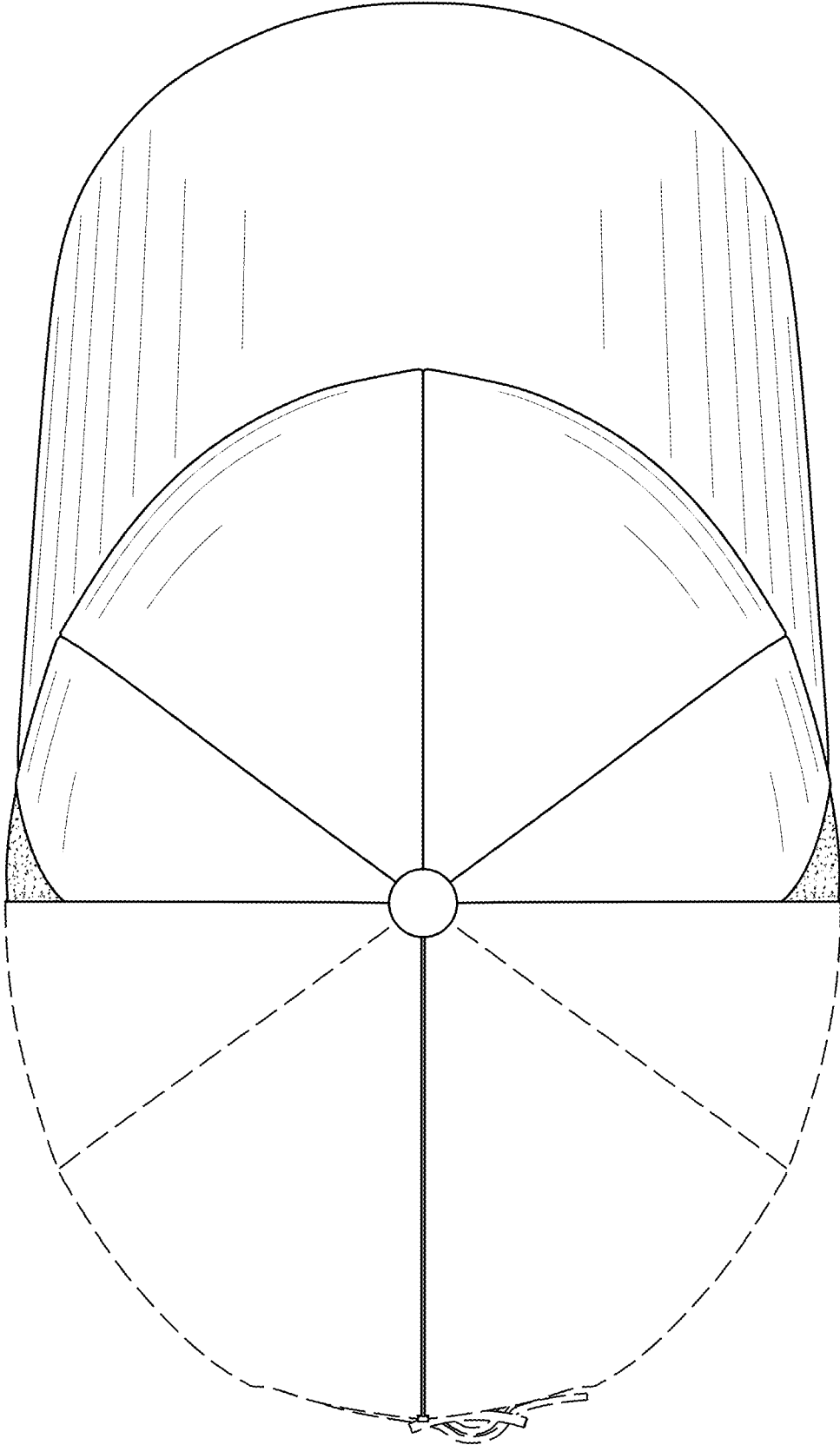


FIG. 4

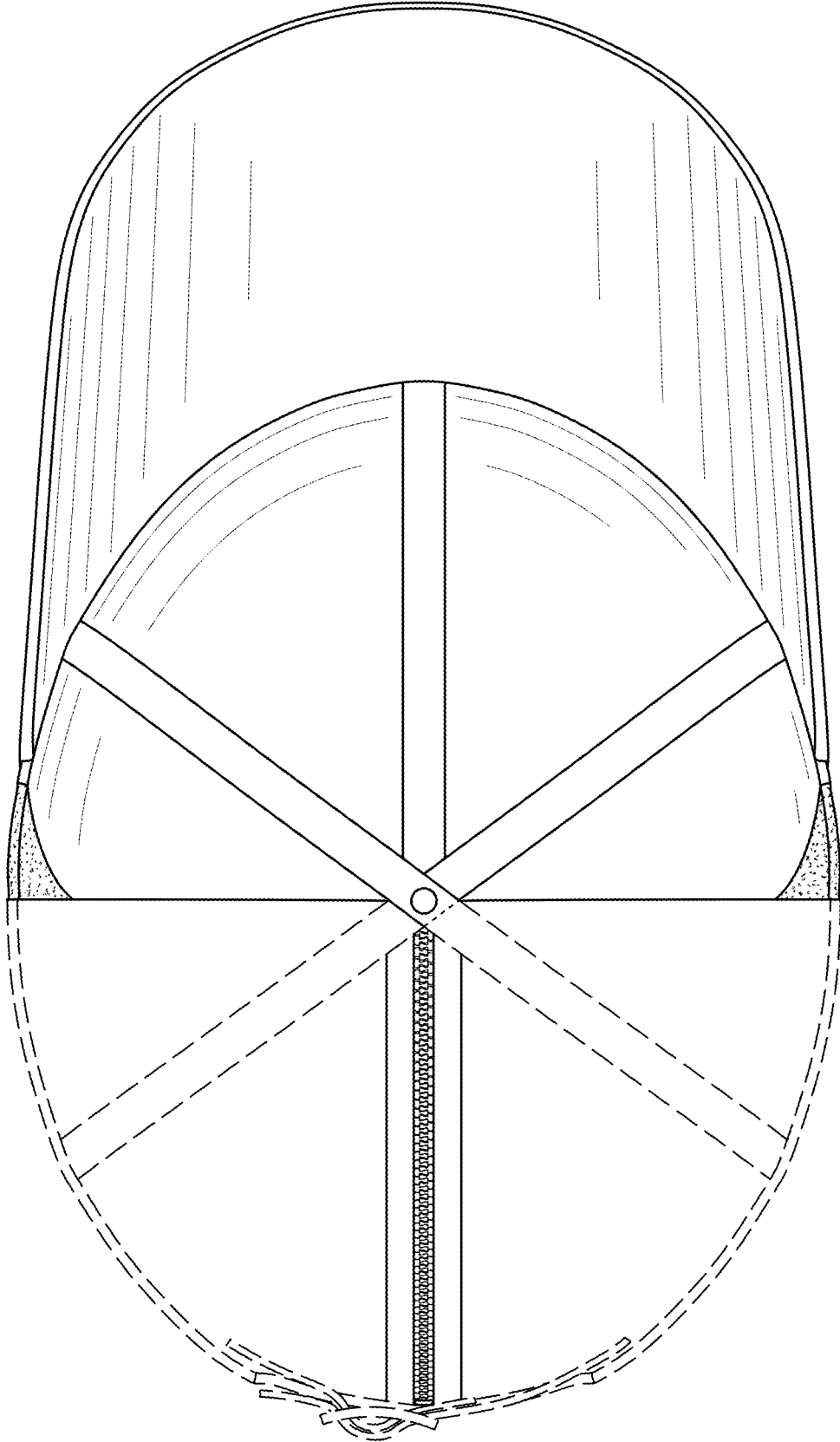


FIG. 5

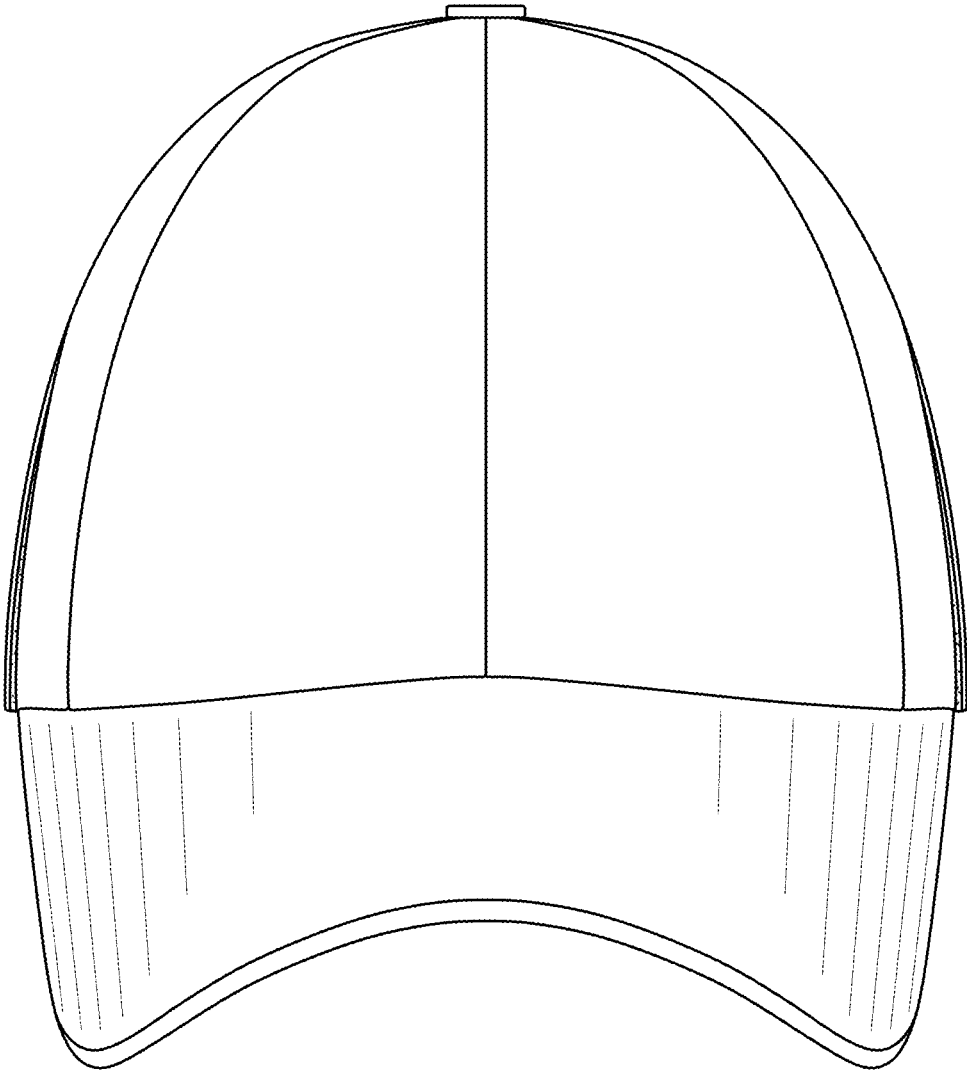


FIG. 6

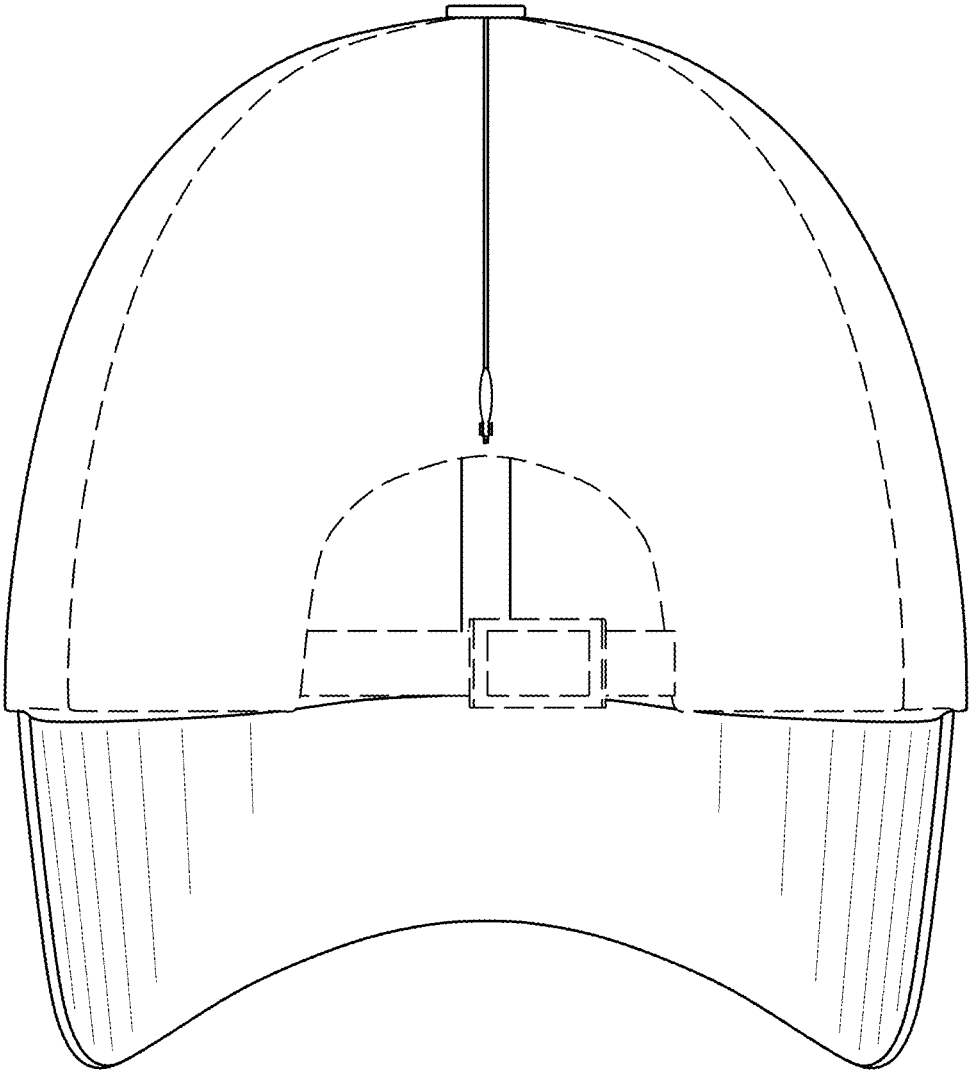


FIG. 7