



(12) **United States Design Patent**
Juarbe

(10) **Patent No.:** **US D894,673 S**
(45) **Date of Patent:** **** Sep. 1, 2020**

(54) **DRINKING STRAW HOLDING DEVICE WITH DISPLAY ARRANGEMENT**

(71) Applicant: **Israel Juarbe**, Bronx, NY (US)

(72) Inventor: **Israel Juarbe**, Bronx, NY (US)

(**) Term: **15 Years**

(21) Appl. No.: **29/664,527**

(22) Filed: **Sep. 26, 2018**

(51) **LOC (12) Cl.** **07-99**

(52) **U.S. Cl.**
USPC **D7/396.2; D20/43**

(58) **Field of Classification Search**
USPC D7/300.2, 396.2, 396.3, 387; D20/43, D20/44; D8/380, 373
CPC A47G 19/2222; A47G 21/182; G09F 7/00; D09F 7/18
See application file for complete search history.

D487,115	S	*	2/2004	Kosir	D20/43
D573,657	S	*	7/2008	Caterinacci	D20/43
D650,019	S	*	12/2011	Stuke	D20/44
D669,135	S	*	10/2012	Garfinkle	D20/43
D692,499	S	*	10/2013	Kirby	D20/43
D725,462	S	*	3/2015	Zilisch	D8/395
D777,511	S	*	1/2017	Williams	D20/28
D784,062	S		4/2017	Juarbe		
D787,602	S	*	5/2017	Watson	D20/43
D826,632	S	*	8/2018	Breit	D7/396.2
D829,823	S	*	10/2018	White	D20/43
10,085,576	B1		10/2018	Juarbe		
10,420,434	B1		9/2019	Juarbe		
2008/0011909	A1		1/2008	Daddario et al.		

(Continued)

Primary Examiner — Marianne N Pandozzi

(74) *Attorney, Agent, or Firm* — Lawrence G. Fridman, Esq.; Feigin & Fridman, LLC

(57) **CLAIM**

The ornamental design for a drinking straw holding device with display arrangement, as shown and described.

(56) **References Cited**

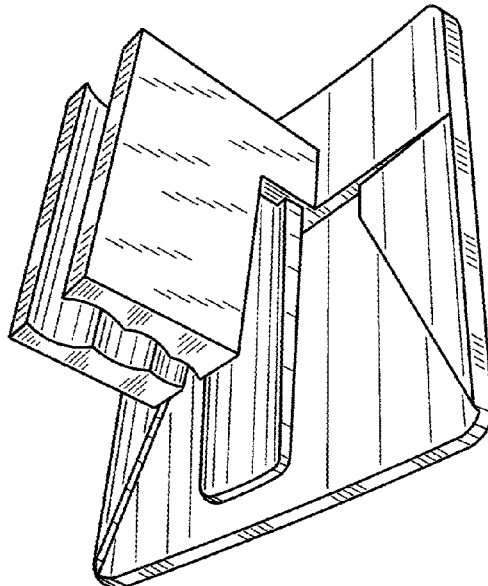
U.S. PATENT DOCUMENTS

1,643,661	A	*	9/1927	Kendall	A47J 43/287 248/113
2,489,875	A	*	11/1949	Embree	B44D 3/123 248/113
3,983,602	A	*	10/1976	Barry	A42B 3/04 24/11 R
4,850,495	A		7/1989	Wallace		
D305,911	S	*	2/1990	Burlando	D20/44
5,046,628	A		9/1991	Florjancic		
5,427,315	A	*	6/1995	Lipson	A47G 21/182 239/33
5,671,863	A	*	9/1997	Uliana	A47G 19/2222 215/388
D447,518	S	*	9/2001	Lau	D20/43
D454,373	S	*	3/2002	Kosir	D20/44
D470,535	S	*	2/2003	Valiulis	D20/44
D476,375	S	*	6/2003	Zadak	D20/43

DESCRIPTION

FIG. 1 is a front elevational view of a drinking straw holding device with display arrangement according to my new design;
FIG. 2 is a bottom plan view thereof;
FIG. 3 is a top plan view thereof;
FIG. 4 is one side elevational view thereof;
FIG. 5 is a rear elevational view thereof;
FIG. 6 is another side elevational view thereof;
FIG. 7 is a cross-sectional view according to sectional line 7-7 of FIG. 5;
FIG. 8 is a rear perspective view thereof;
FIG. 9 is another rear perspective view thereof;
FIG. 10 is a further rear perspective view thereof; and,
FIG. 11 is a front perspective view thereof.

1 Claim, 5 Drawing Sheets



(56)

References Cited

U.S. PATENT DOCUMENTS

2008/0203104	A1*	8/2008	Pawlik	A47G	19/2222
					220/710
2013/0032606	A1*	2/2013	Lafever	A47G	19/2222
					220/710

* cited by examiner

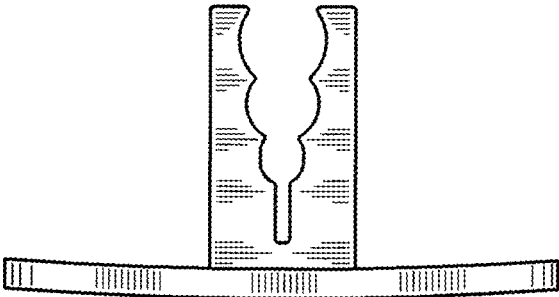


FIG. 3

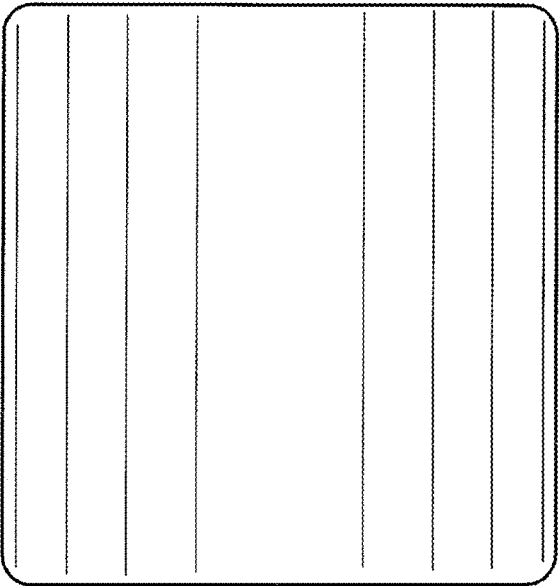


FIG. 1

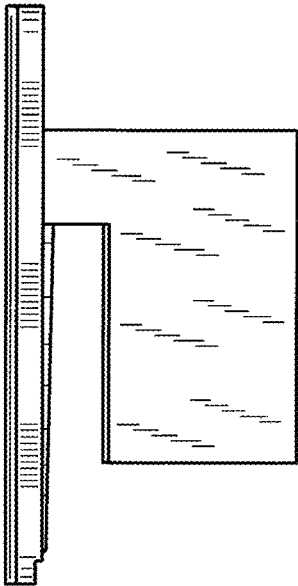


FIG. 4

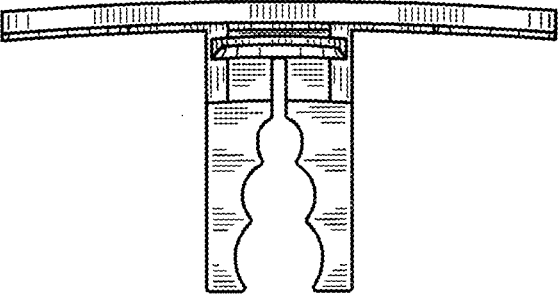


FIG. 2

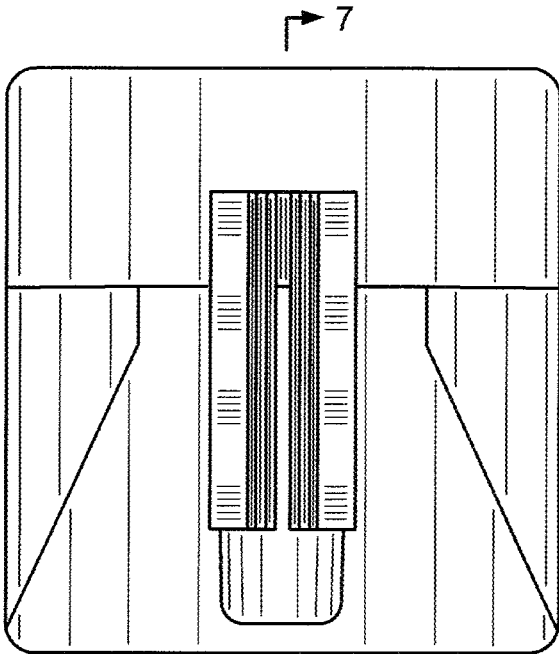


FIG. 5

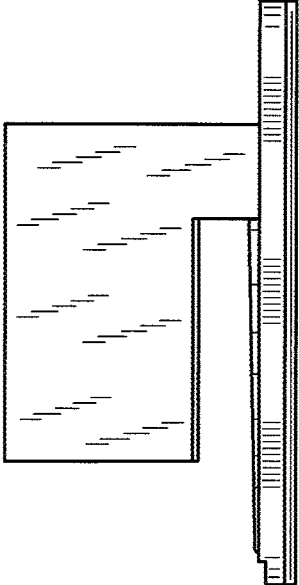


FIG. 6

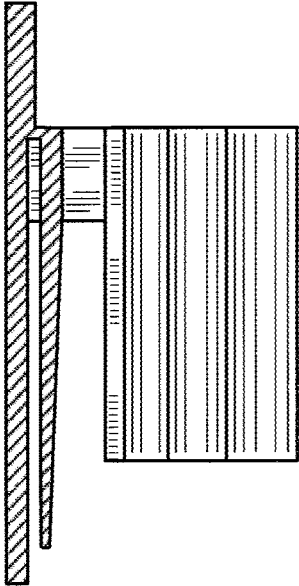


FIG. 7

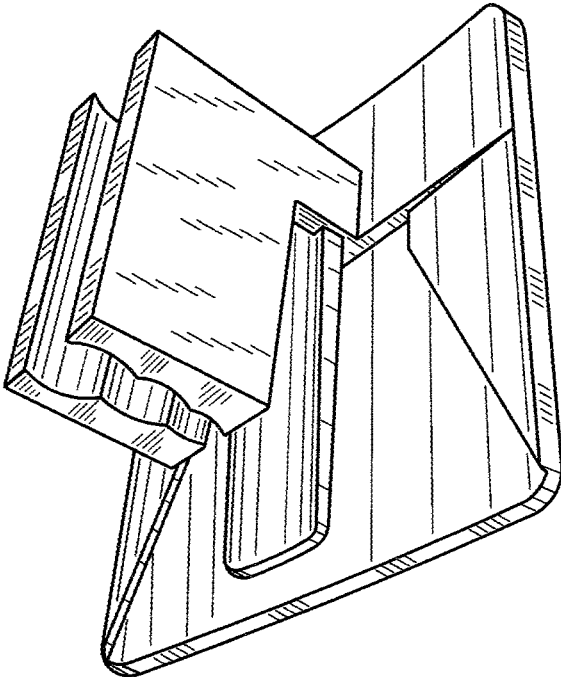


FIG. 8

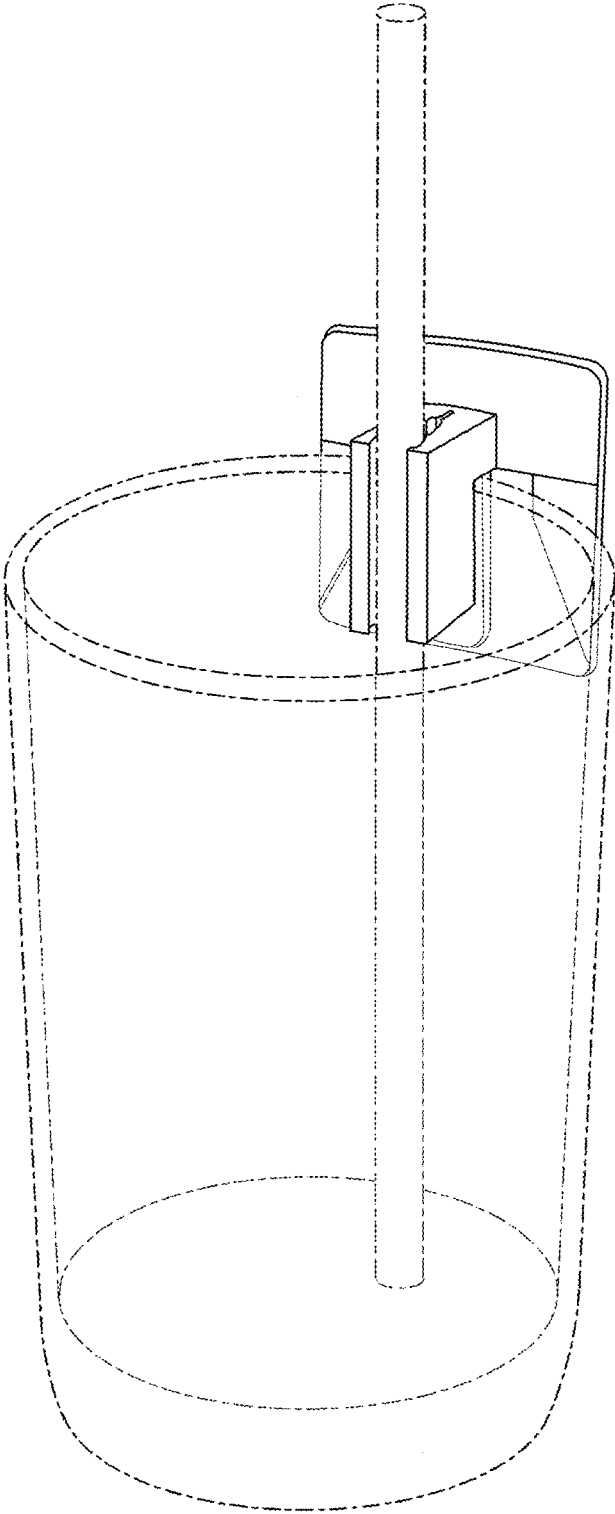


FIG. 9

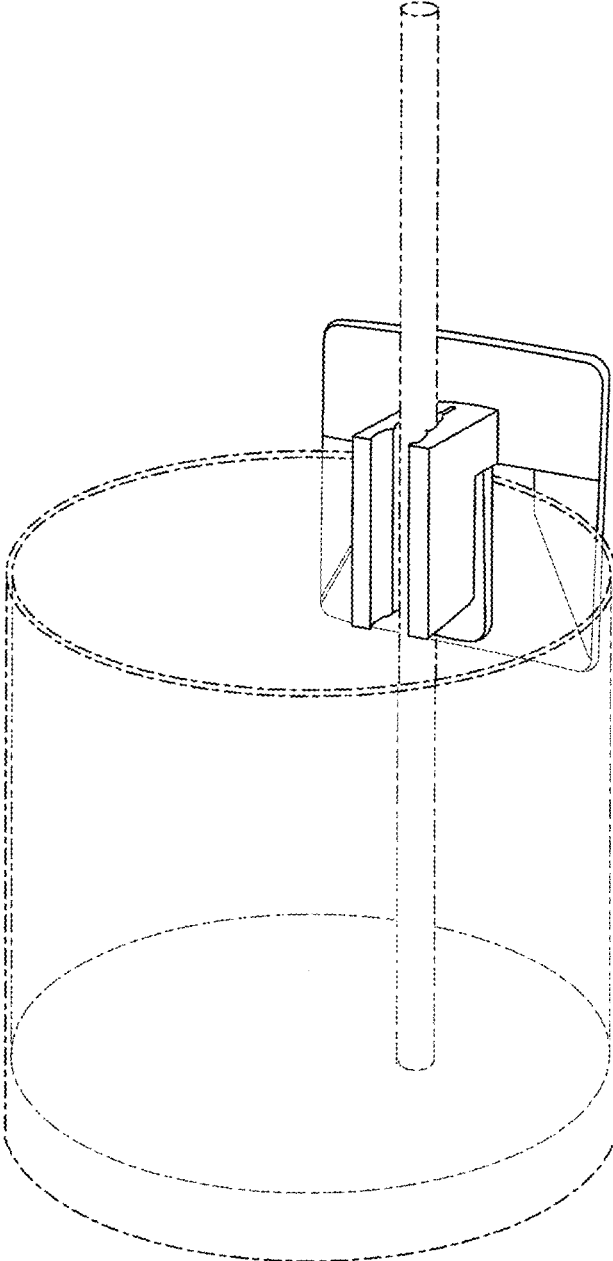


FIG. 10

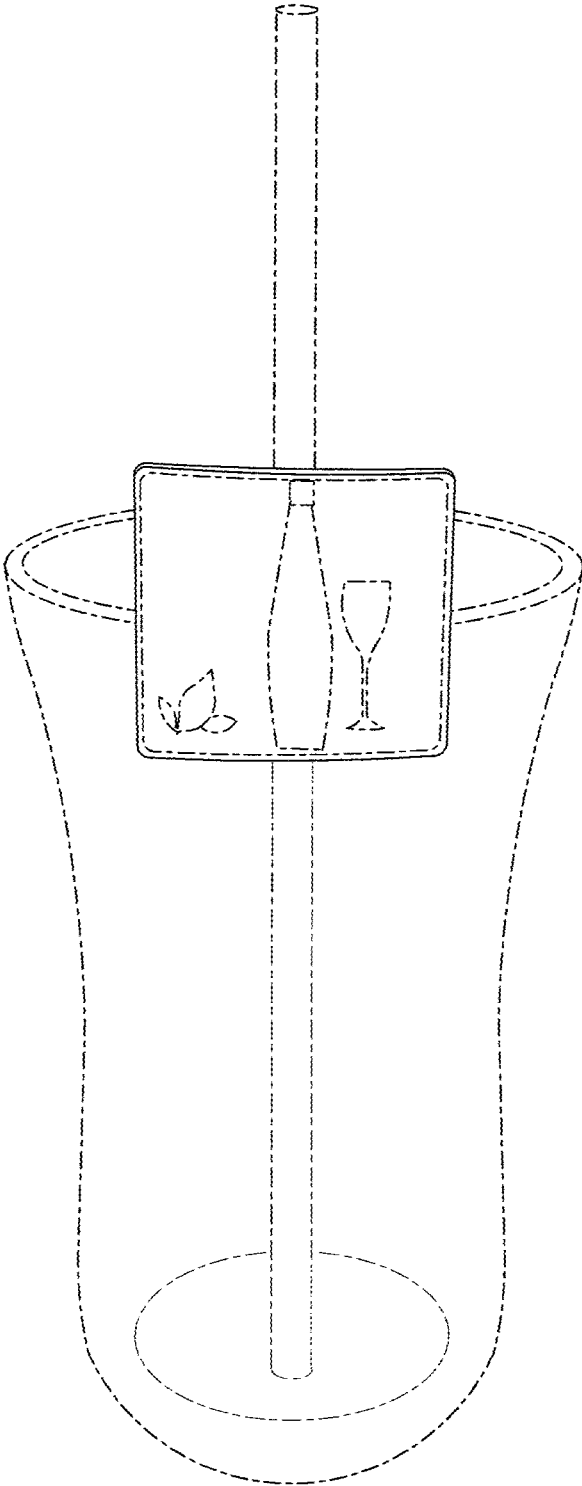


FIG. 11