



US00D897067S

(12) **United States Design Patent**  
**Azer**

(10) **Patent No.:** **US D897,067 S**  
(45) **Date of Patent:** **\*\* Sep. 29, 2020**

(54) **SHOE HORN**  
(71) Applicant: **Ephriam Azer**, Passaic, NJ (US)  
(72) Inventor: **Ephriam Azer**, Passaic, NJ (US)  
(\*\*) Term: **15 Years**

8,286,638 B1 \* 10/2012 Blackford ..... A47C 21/00  
128/882  
9,277,794 B2 3/2016 Moreau  
9,498,077 B2 11/2016 Carlson et al.  
D846,120 S \* 4/2019 Wallis ..... A47G 25/92  
D24/136  
2011/0226821 A1\* 9/2011 McGuire ..... A43C 11/1493  
223/118

(21) Appl. No.: **29/689,850**  
(22) Filed: **May 2, 2019**  
(51) **LOC (12) Cl.** ..... **07-99**  
(52) **U.S. Cl.**  
USPC ..... **D2/642**  
(58) **Field of Classification Search**  
USPC ..... D2/641-643, 979, 999; D3/200;  
D20/27; D24/136; D28/91.2; D32/46  
CPC ..... A47G 25/80; A47G 25/82; A47G 25/84;  
A47G 25/86; A47G 25/88; A47G 25/90;  
A47G 25/901; A47G 25/902; A47G  
25/25; A47G 25/904; A47G 25/905;  
A47G 25/907; A47G 25/908; A47G 25/92  
See application file for complete search history.

(Continued)

*Primary Examiner* — Eric L Goodman  
*Assistant Examiner* — Clare Ann Gannon  
(74) *Attorney, Agent, or Firm* — Michael J. Feigin, Esq.;  
Feigin and Fridman

(57) **CLAIM**

The ornamental design for a shoe horn, as shown and described.

**DESCRIPTION**

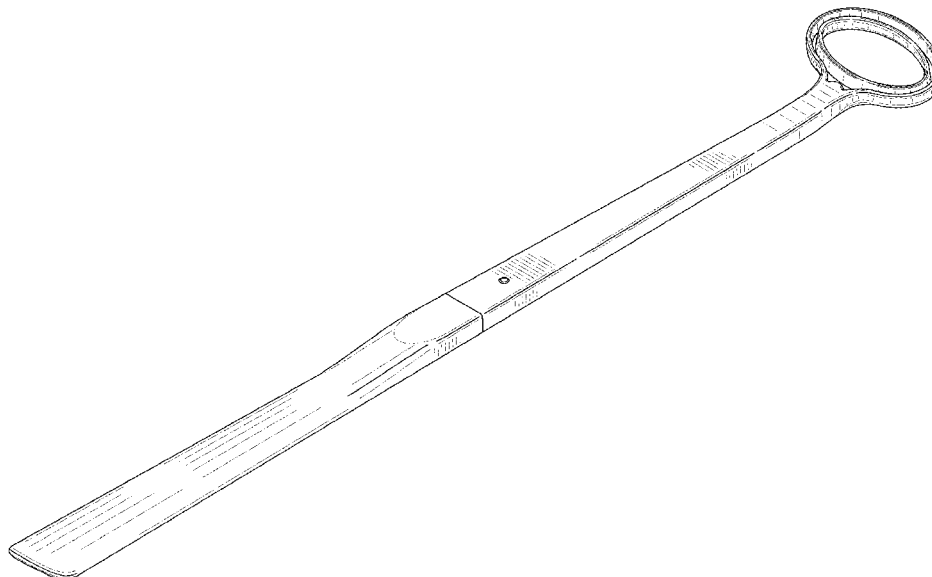
FIG. 1 shows a top, right side perspective view of a shoe horn.  
FIG. 2 shows a bottom, right side perspective view thereof.  
FIG. 3 shows a bottom plan view thereof.  
FIG. 4 shows a front view thereof.  
FIG. 5 shows a rear view thereof.  
FIG. 6 shows a left side view, the reverse side being a mirror image thereof.  
FIG. 7 shows a top plan view thereof.  
FIG. 8 shows a top, right side perspective view of the shoe horn of FIG. 1 in an alternate configuration with the components separated.  
FIG. 9 shows a bottom, right side perspective view of the shoe horn of FIG. 8.  
FIG. 10 shows a top plan view of the shoe horn of FIG. 8.  
FIG. 11 shows a bottom plan view of the shoe horn of FIG. 8; and,  
FIG. 12 shows a left side view of the shoe horn of FIG. 8, the right side view being a mirror image thereof.

(56) **References Cited**

**U.S. PATENT DOCUMENTS**

1,291,563 A \* 1/1919 Laughlin ..... A47G 25/92  
24/40  
D84,620 S \* 7/1931 Bradley ..... A43C 11/1493  
D2/642  
2,214,085 A \* 9/1940 O'Neill ..... A43B 11/00  
36/1  
4,355,745 A \* 10/1982 Nelson ..... A47G 25/82  
223/118  
D427,417 S \* 7/2000 Israel ..... D2/642  
D427,418 S \* 7/2000 Huang ..... D2/642  
D431,893 S \* 10/2000 Blaszczyk ..... D2/642  
6,447,528 B2 9/2002 Paraschac  
D508,303 S \* 8/2005 Bradley ..... D2/642  
6,942,129 B2 9/2005 Ferraioli  
D624,727 S \* 10/2010 Clemente ..... D2/642

**1 Claim, 8 Drawing Sheets**



(56)

**References Cited**

U.S. PATENT DOCUMENTS

2015/0313396 A1\* 11/2015 Carlson ..... A47G 25/908  
2/239  
2016/0106184 A1 4/2016 Almondo

\* cited by examiner

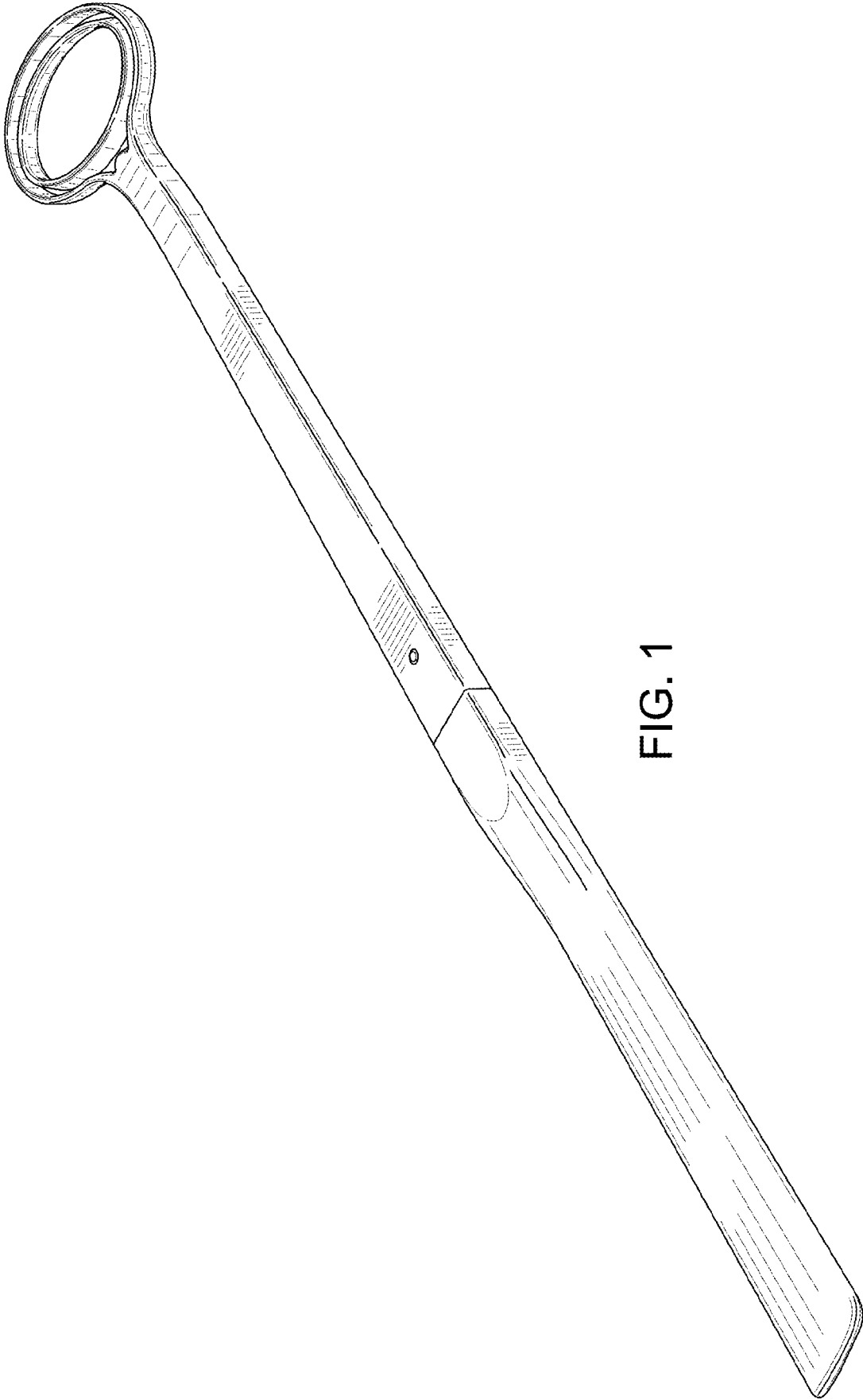


FIG. 1

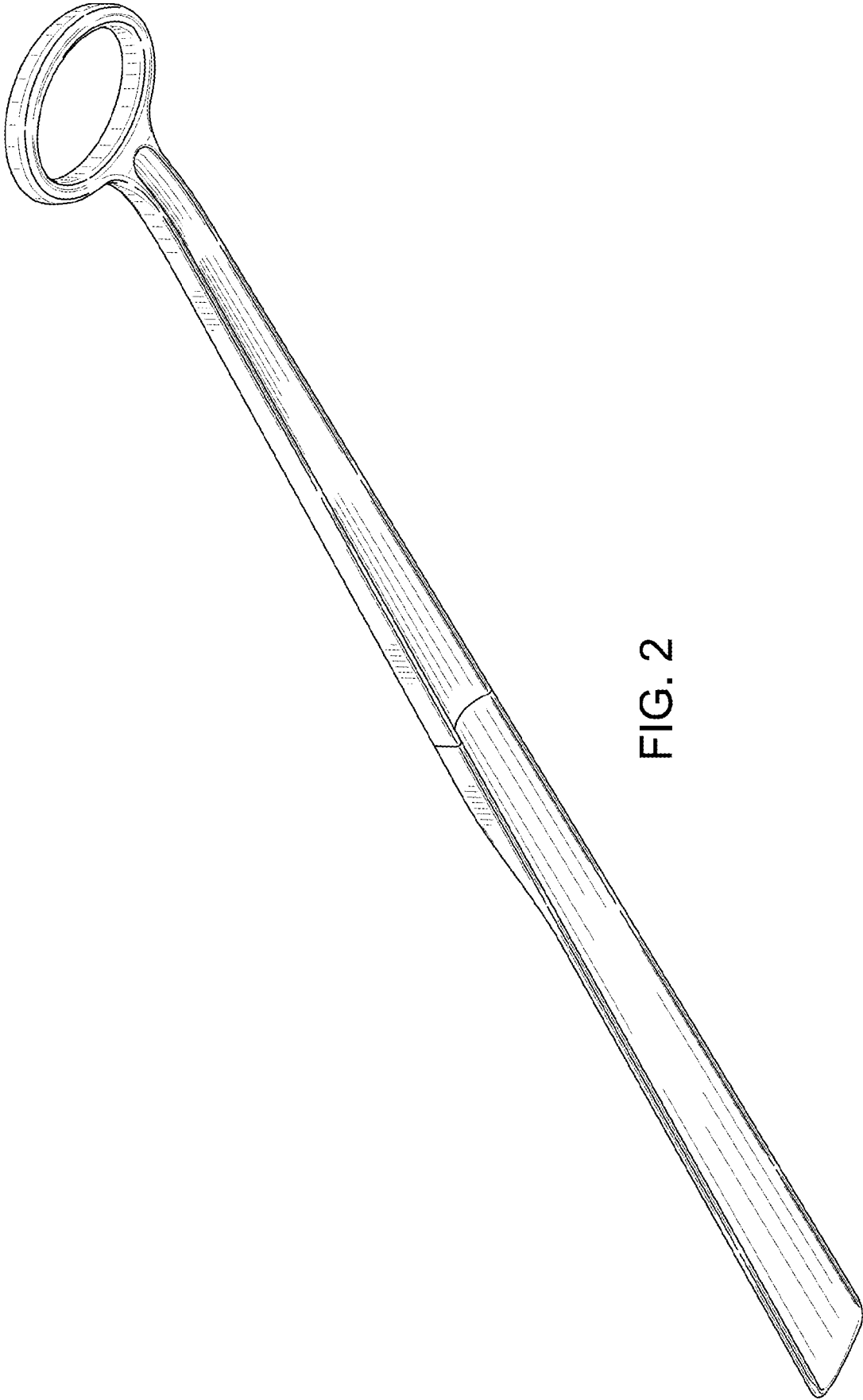


FIG. 2

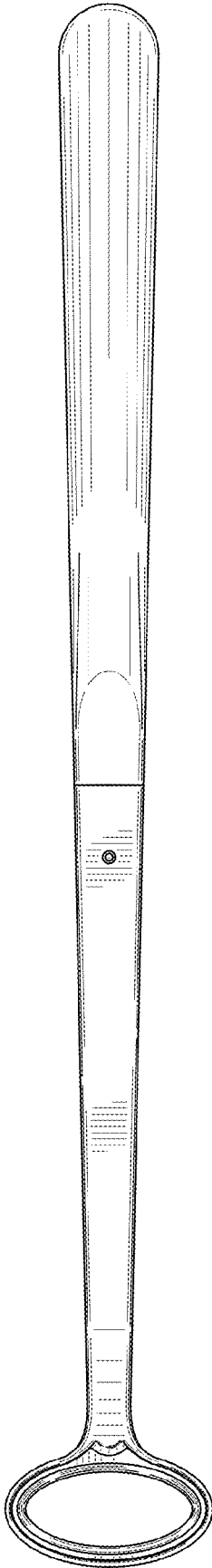


FIG. 3

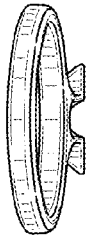


FIG. 4



FIG. 5

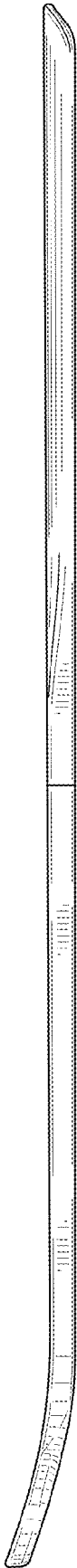


FIG. 6

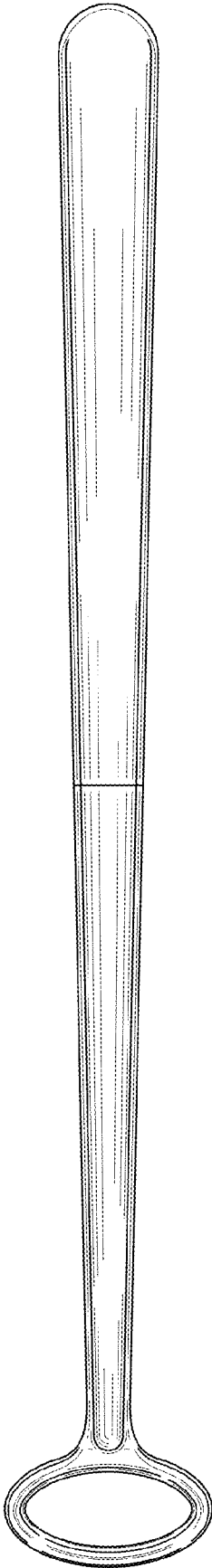


FIG. 7

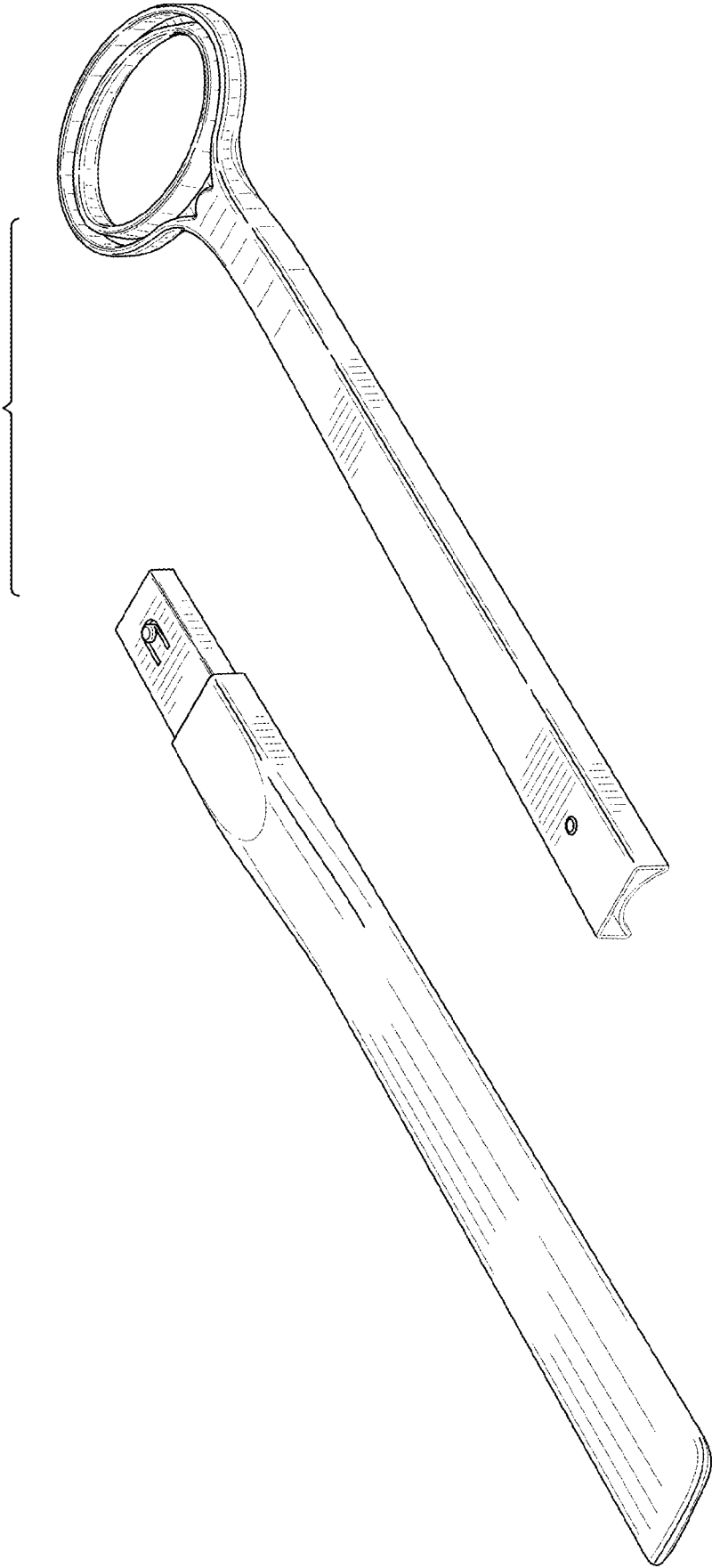


FIG. 8

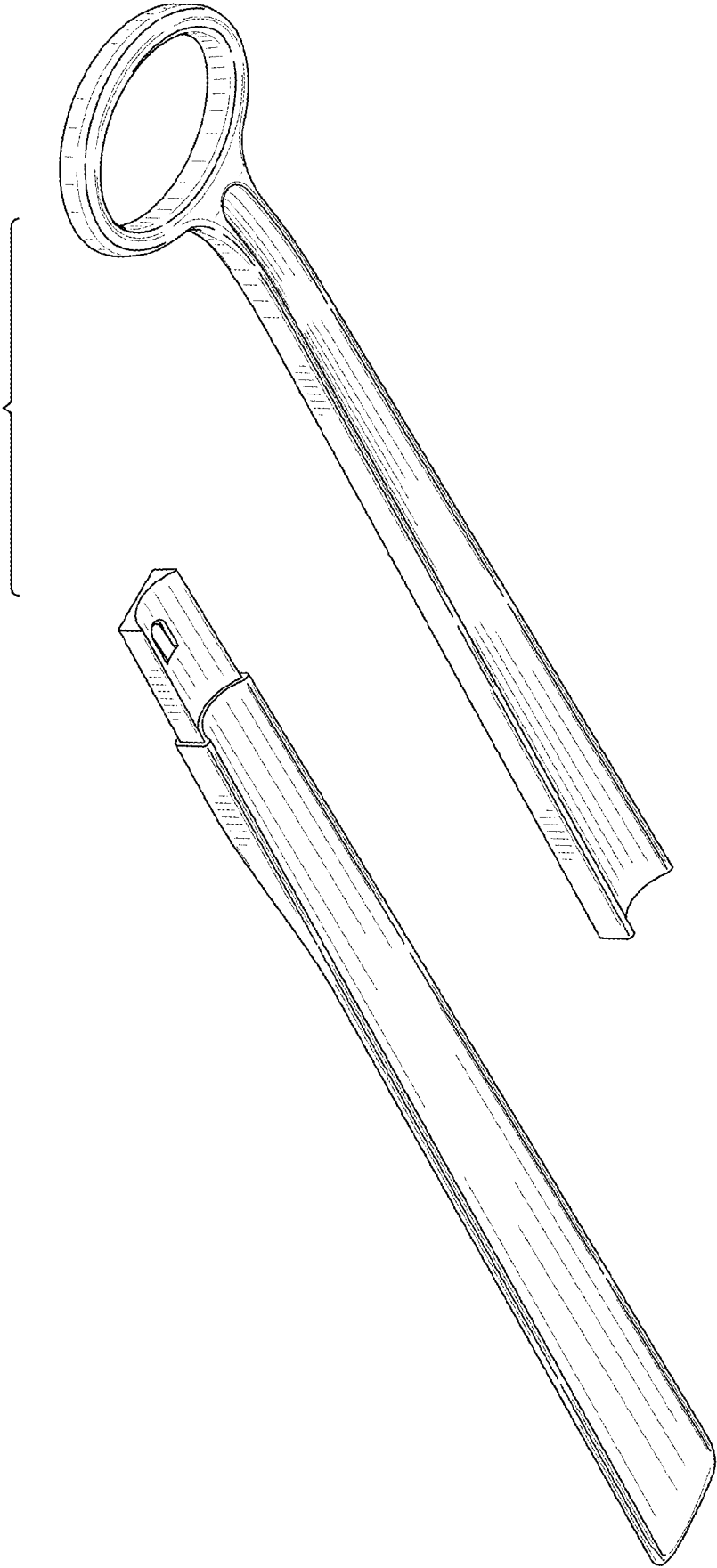


FIG. 9

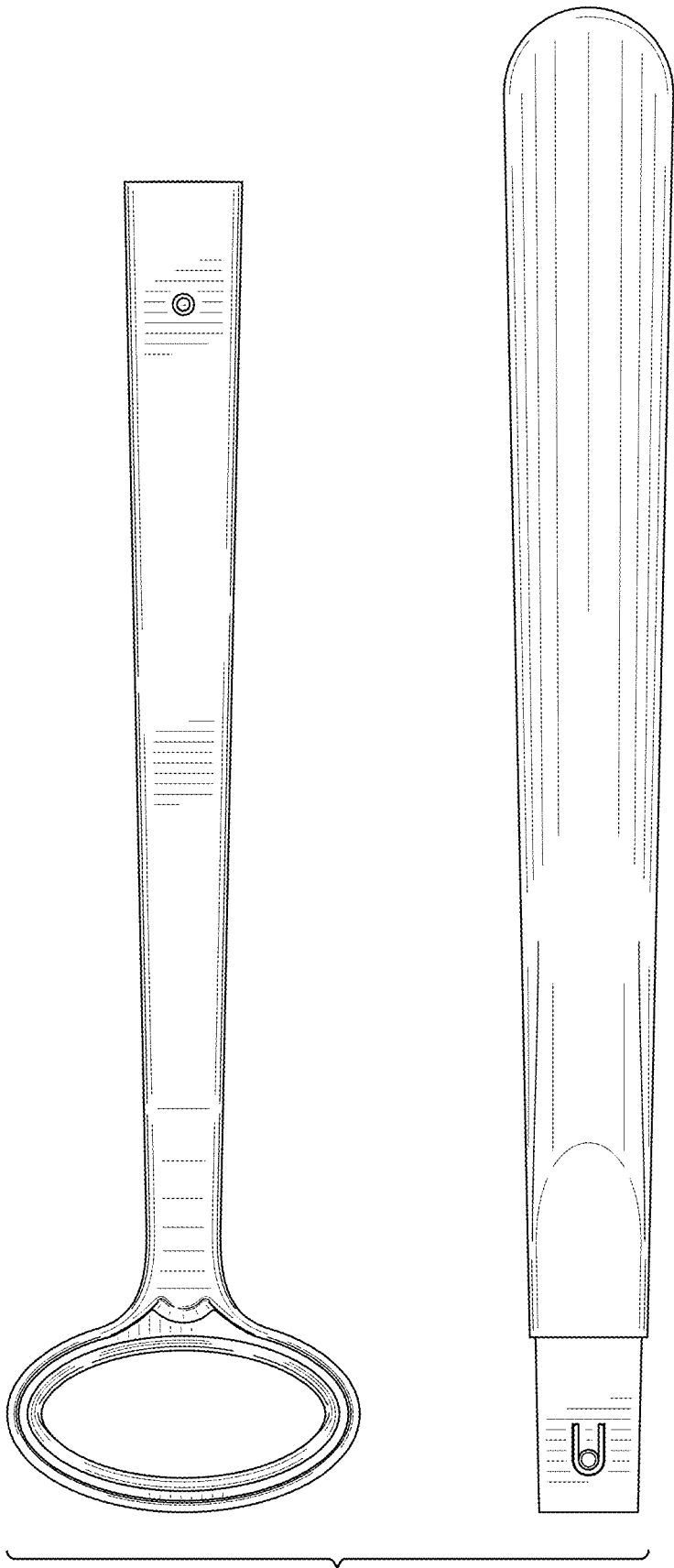


FIG. 10





FIG. 11

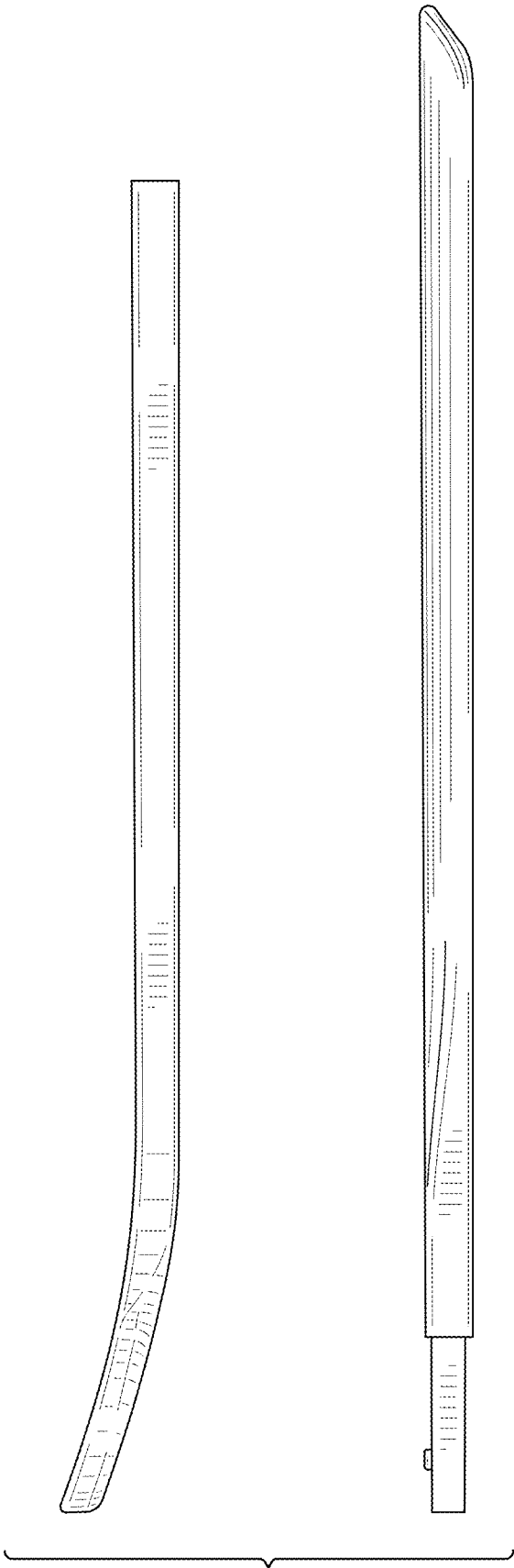


FIG. 12