



(12) **United States Design Patent**
Knopfler

(10) **Patent No.:** **US D905,512 S**
(45) **Date of Patent:** **** Dec. 22, 2020**

- (54) **SCOOP**
- (71) Applicant: **Aron Knopfler**, Brooklyn, NY (US)
- (72) Inventor: **Aron Knopfler**, Brooklyn, NY (US)
- (**) Term: **15 Years**
- (21) Appl. No.: **29/696,395**
- (22) Filed: **Jun. 27, 2019**
- (51) **LOC (12) Cl.** **07-99**
- (52) **U.S. Cl.**
USPC **D7/691**
- (58) **Field of Classification Search**
USPC D7/680-696, 393, 395, 669; D8/1
CPC .. A01B 1/02; A47F 13/08; A47F 13/00; A47J
43/282; F24B 15/06; A01K 1/014; A47G
21/04
See application file for complete search history.

Flat Bottom Food and Utility Scoop [Date accessed May 31, 2019], URL unknown.
 French Fry Bagger [Date accessed May 31, 2019], URL unknown.
 Image(1), www.beadbuddy.net [Date accessed Jun. 27, 2019], URL unknown.
 Image, www.beadbuddy.net [Date accessed Jun. 27, 2019], URL unknown.
 Metal Popcorn Serving Scoop [Date accessed May 31, 2019], URL unknown.
 Popcorn Scoop [Date accessed May 31, 2019], URL unknown.
 Rubbermaid Commercial Food Service Scoop [Date accessed May 31, 2019], URL unknown.

* cited by examiner

Primary Examiner — Terry A Wallace
 (74) *Attorney, Agent, or Firm* — Michael J. Feigin, Esq.;
 Feigin and Fridman LLC

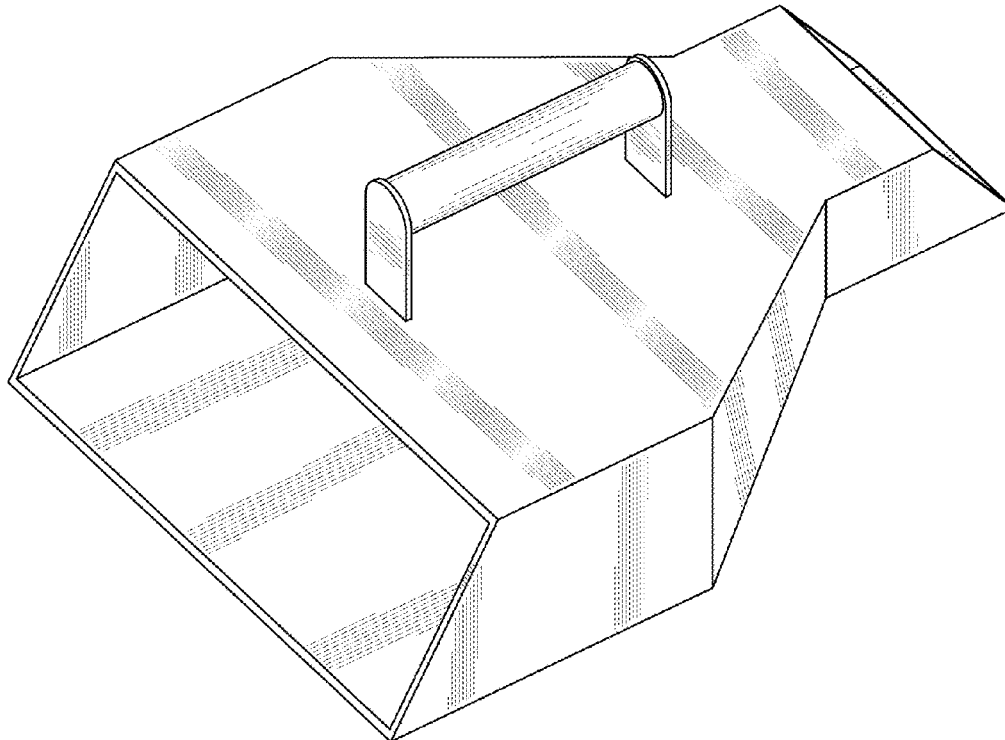
(57) **CLAIM**
 The ornamental design for a scoop, as shown and described.

DESCRIPTION

FIG. 1 shows a top perspective view of the scoop.
 FIG. 2 shows a bottom perspective view thereof.
 FIG. 3 shows a top plan view thereof.
 FIG. 4 shows a bottom plan view thereof.
 FIG. 5 shows a front elevation view thereof.
 FIG. 6 shows a rear elevation view thereof.
 FIG. 7 shows a side elevation view thereof, the opposite side being a mirror image thereof; and,
 FIG. 8 shows a side cutaway view cut along section line 8-8 of FIG. 3.

- (56) **References Cited**
U.S. PATENT DOCUMENTS
 D306,324 S * 2/1990 Dykes D21/472
 5,716,087 A * 2/1998 Backich A01B 1/02
 16/422
 2011/0285159 A1* 11/2011 Workman A47F 13/08
 294/178
OTHER PUBLICATIONS
 Bench Scrape, Rachel Ray [Date accessed May 31, 2019], URL unknown.

1 Claim, 6 Drawing Sheets



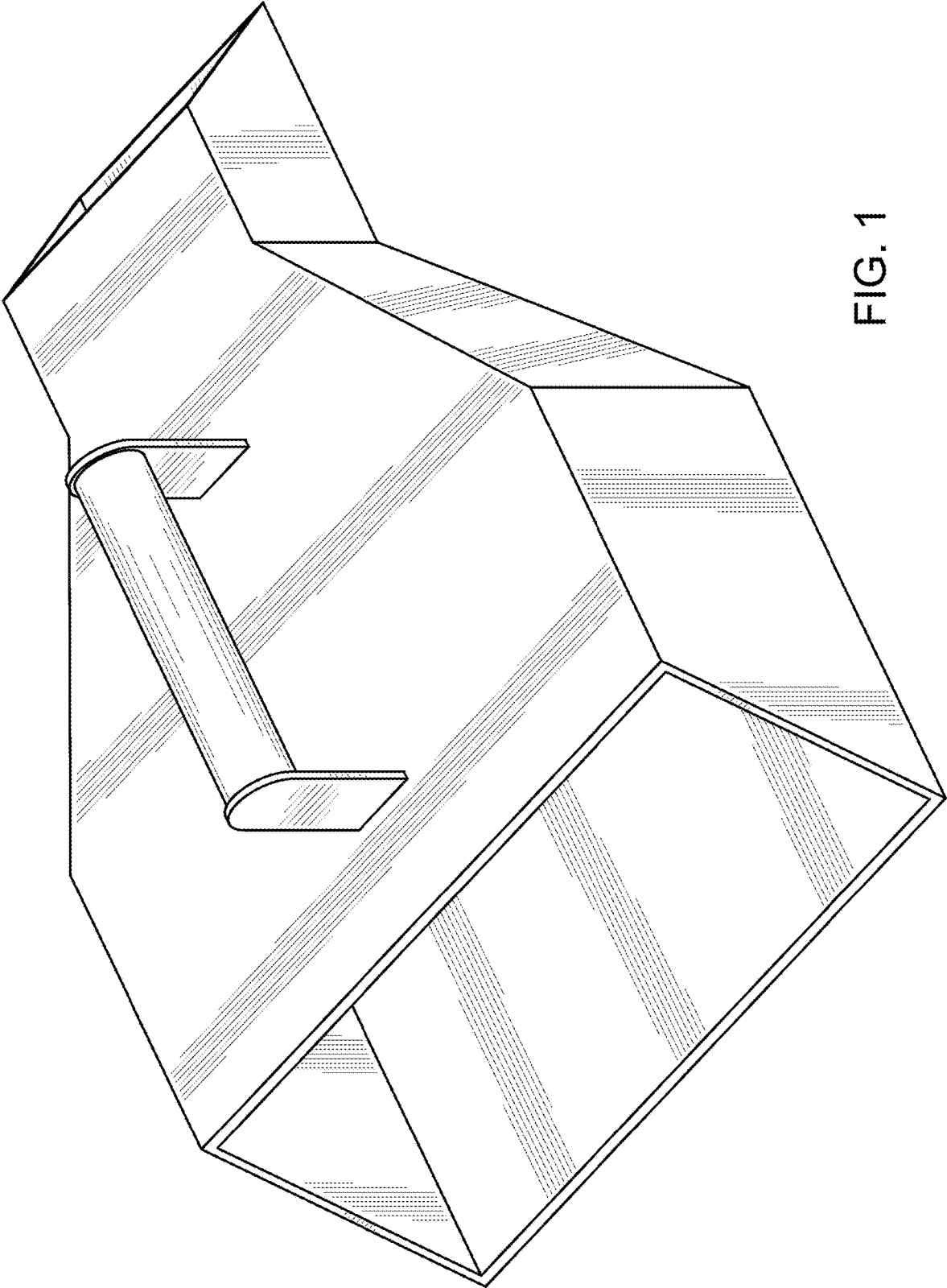


FIG. 1

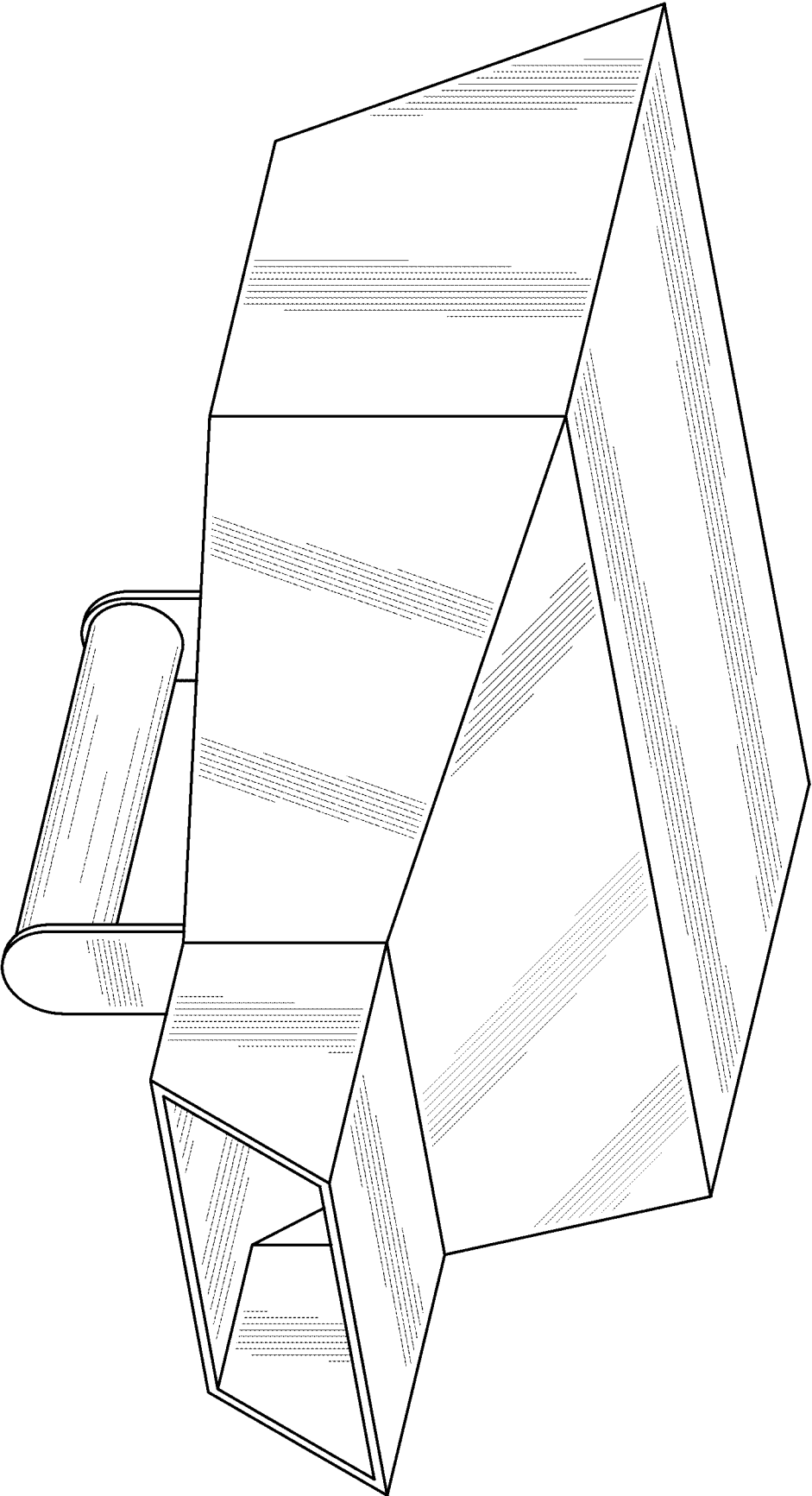


FIG. 2

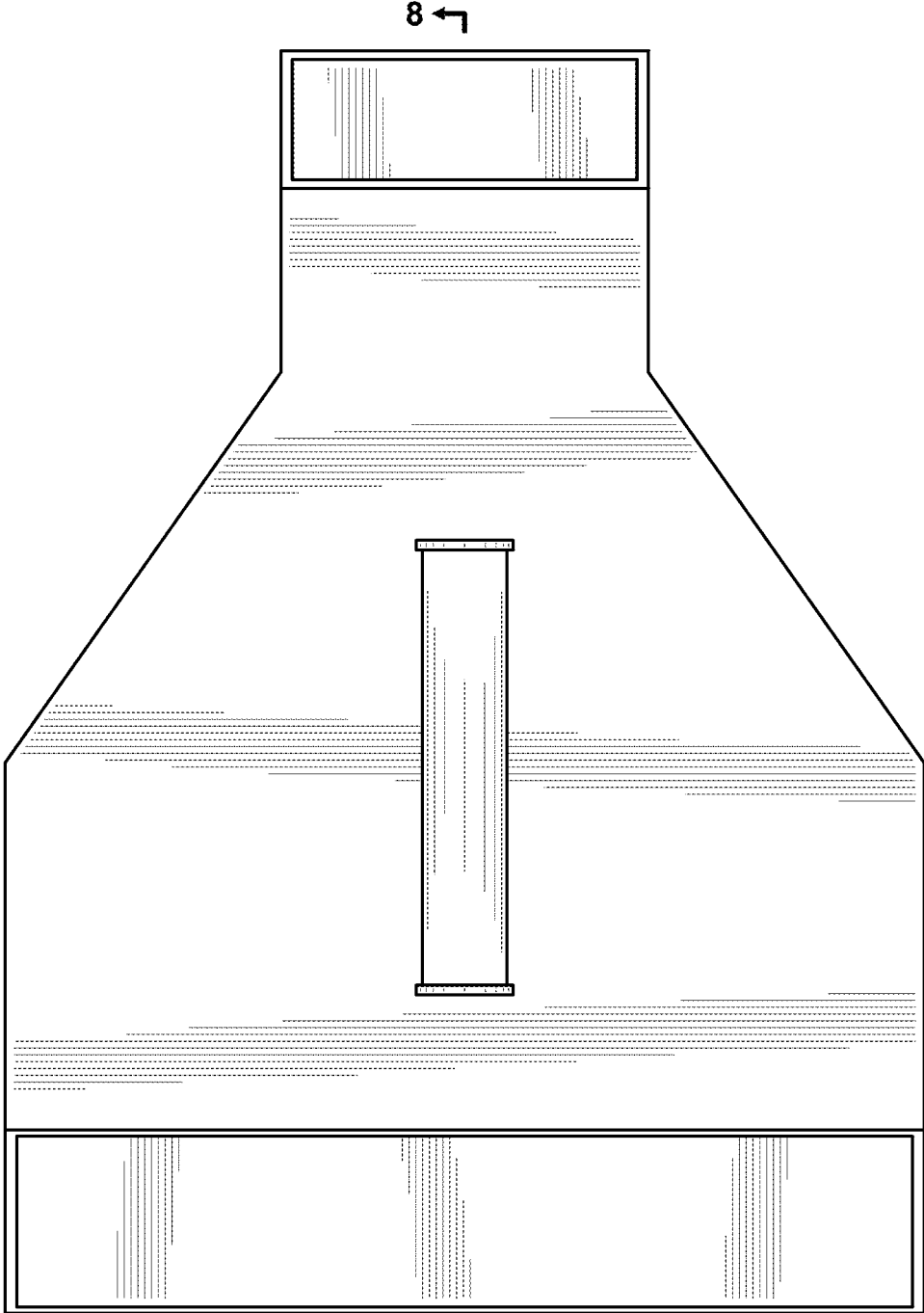


FIG. 3

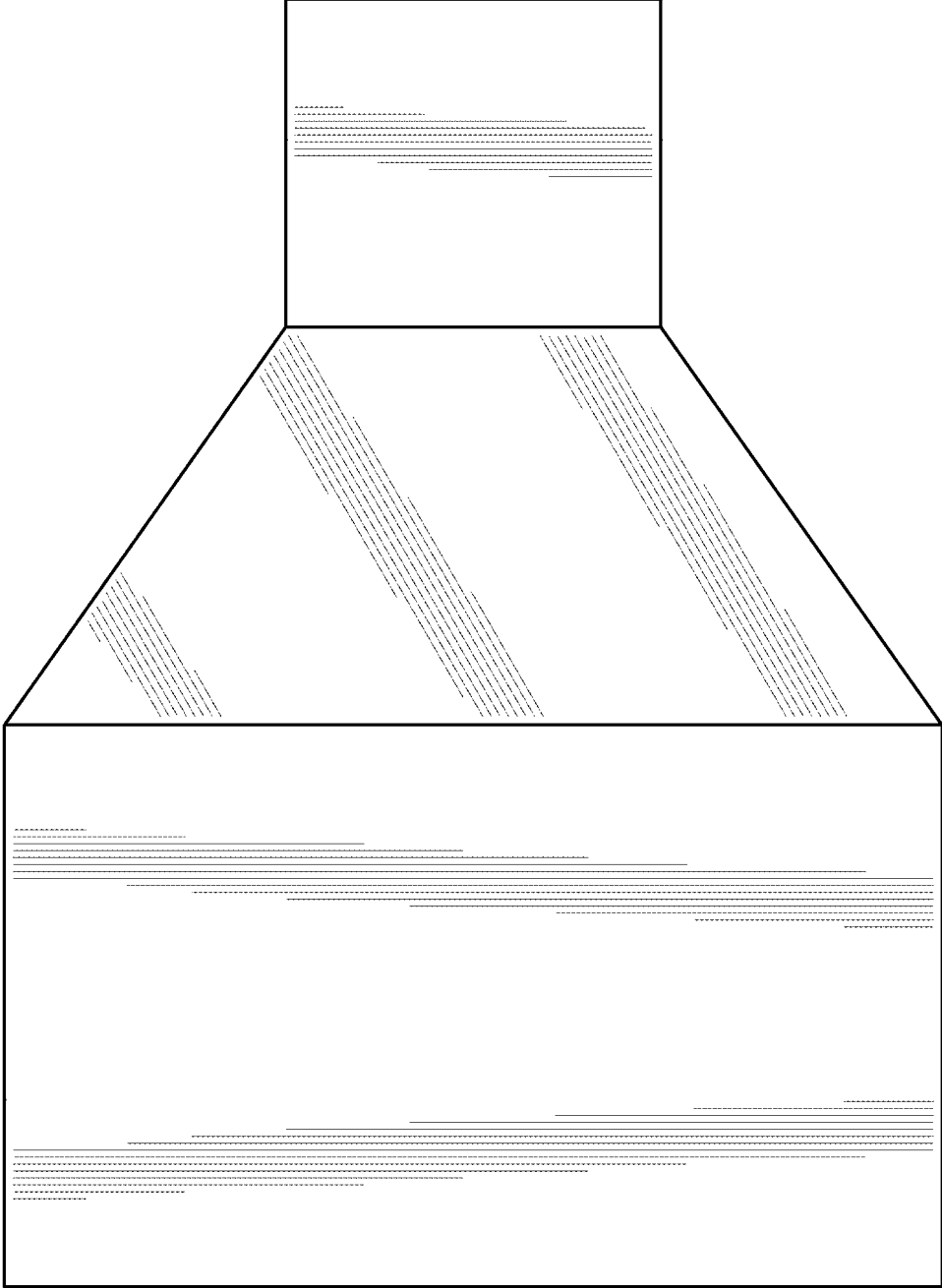


FIG. 4

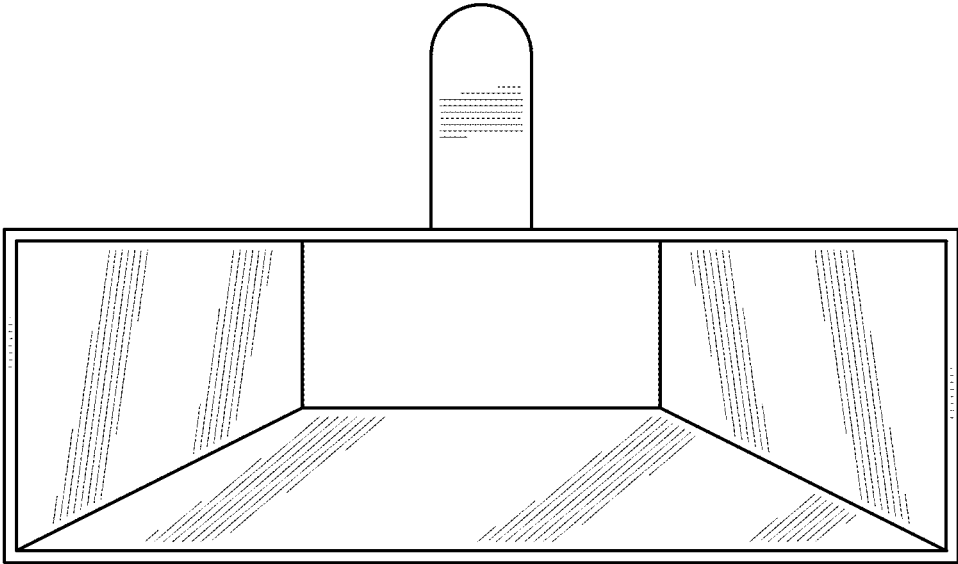


FIG. 5

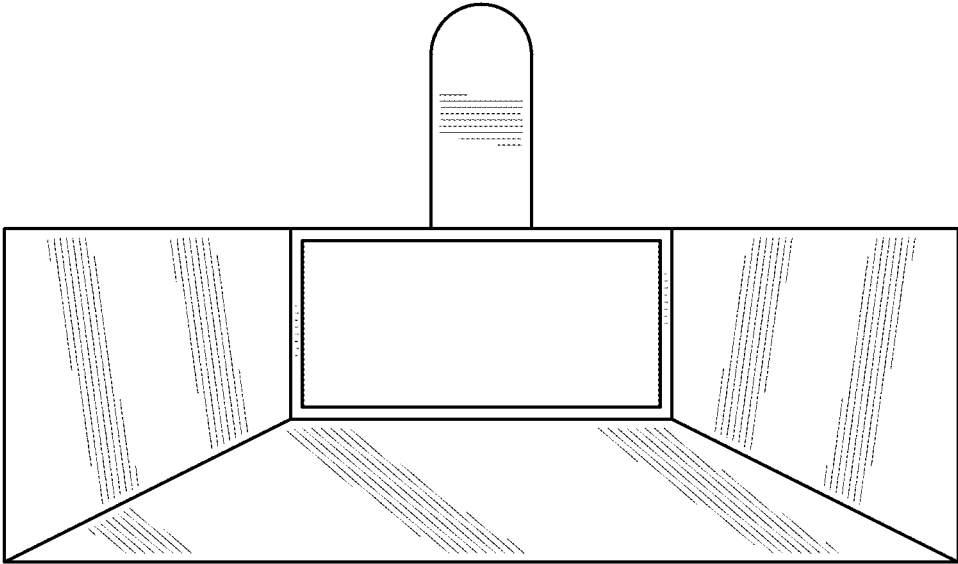


FIG. 6

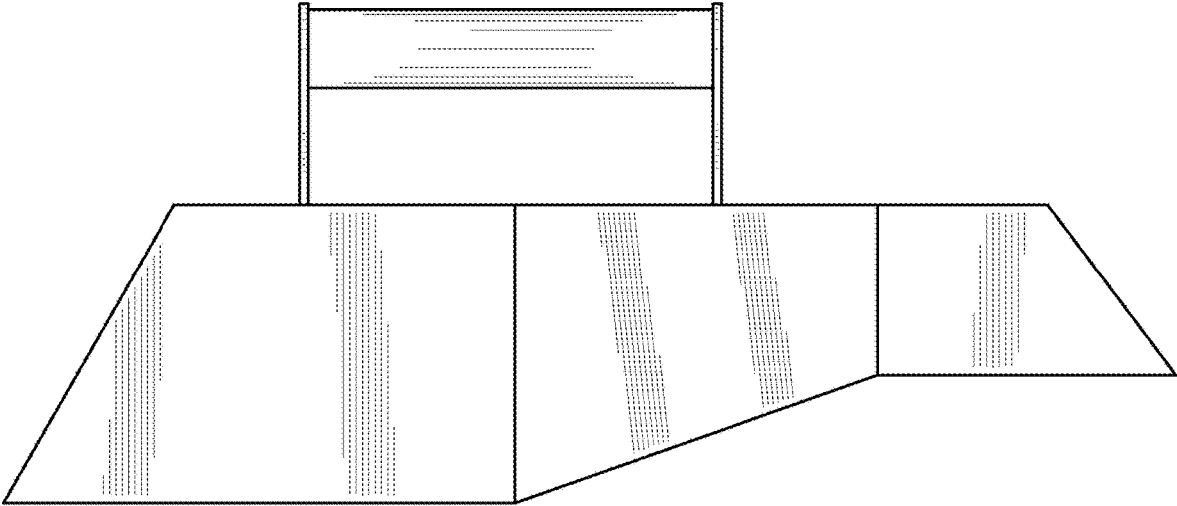


FIG. 7

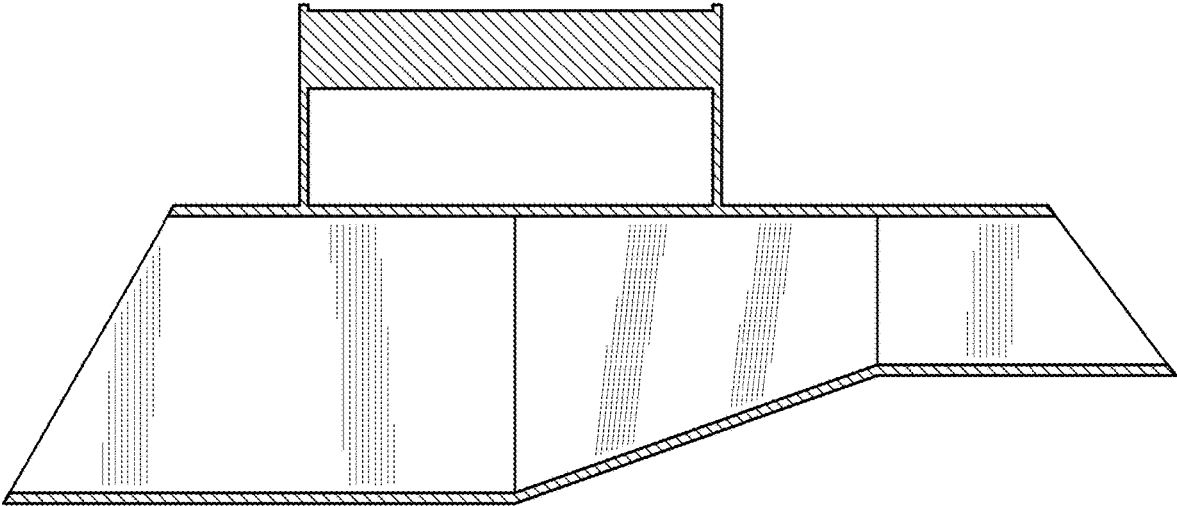


FIG. 8