



US00D913114S

(12) **United States Design Patent**
Shlaferman

(10) **Patent No.:** **US D913,114 S**

(45) **Date of Patent:** **** Mar. 16, 2021**

(54) **RING WATCH**

(71) Applicant: **Dynamite Marketing Inc**, New York, NY (US)

(72) Inventor: **Alex Shlaferman**, Brooklyn, NY (US)

(**) Term: **15 Years**

(21) Appl. No.: **29/695,155**

(22) Filed: **Jun. 17, 2019**

(51) **LOC (13) Cl.** **10-02**

(52) **U.S. Cl.**

USPC **D10/31**; D11/2; D11/26

(58) **Field of Classification Search**

USPC ... D10/30-39, 65, 70, 97-98, 102, 121-124, D10/126-128, 131-132; D14/344; D24/167, 186; D11/2, 3, 5, 19, 26
CPC G04B 19/00; G04B 19/04; G04B 19/046; G04B 19/10; G04B 19/103; G04B 19/106; G04B 19/12; G04B 19/20; G04B 19/202; G04B 19/223; G04B 19/243; G04B 19/283; G04B 37/00; G04B 37/0008; G04B 37/12; G04B 39/002; G04B 39/004; G04B 39/006; G04B 45/0069; G04B 45/0076; G04G 19/06; A44C 5/00; A44C 5/02; A44C 5/023; A44C 5/0007; A44C 5/147; A44C 5/0053

See application file for complete search history.

(56) **References Cited**

U.S. PATENT DOCUMENTS

D215,112 S * 9/1969 Meylan D10/38
D254,845 S * 4/1980 Young D11/19
D265,067 S * 6/1982 Grosskopf D10/38
D266,312 S * 9/1982 Lin D10/31
D267,706 S * 1/1983 Shapiro D11/34
D296,533 S * 7/1988 Colvin D10/2
D327,451 S * 6/1992 McNally, Jr. D11/19

D365,994 S * 1/1996 Brennan D10/32
D381,595 S * 7/1997 Kennedy D10/122
D402,565 S * 12/1998 Sato D10/32
D411,131 S * 6/1999 Chen D11/27
D443,530 S * 6/2001 Mann D10/31
D451,410 S * 12/2001 Giardiello D10/32
D601,055 S * 9/2009 Boghossian D11/26
D628,095 S * 11/2010 Monachon D10/39
D666,925 S * 9/2012 Ahlstrom D10/32
D701,786 S * 4/2014 Nishizawa D11/26
D795,086 S * 8/2017 Monachon D10/30
D808,842 S * 1/2018 Ferreira D11/3
D820,140 S * 6/2018 Register D11/3

OTHER PUBLICATIONS

Pikoo Unisex Digital Ring Watch | amazon.com; Oct 10, 2019 [online]. © 1996-2020, Amazon.com, Inc [retrieved Jan. 7, 2021] from Internet: <<https://www.amazon.com/Pikoo-Unisex-Digital-Movement-Classic/dp/B07YYMS81R>> (Year: 2019).*

* cited by examiner

Primary Examiner — Katherine Glennon
(74) *Attorney, Agent, or Firm* — Michael J. Feigin, Esq.; Feigin and Fridman LLC

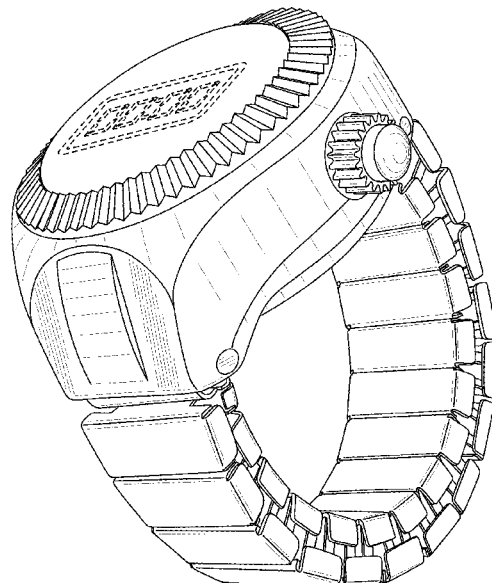
(57) **CLAIM**

The ornamental design for a ring watch, as shown and described.

DESCRIPTION

FIG. 1 shows a top perspective view of the ring watch.
FIG. 2 shows a first side elevation view thereof.
FIG. 3 shows a second side elevation view thereof.
FIG. 4 shows a top plan view thereof; and,
FIG. 5 shows a bottom plan view thereof.
The portions of the ring watch shown in broken lines form no part of the claimed design.

1 Claim, 5 Drawing Sheets



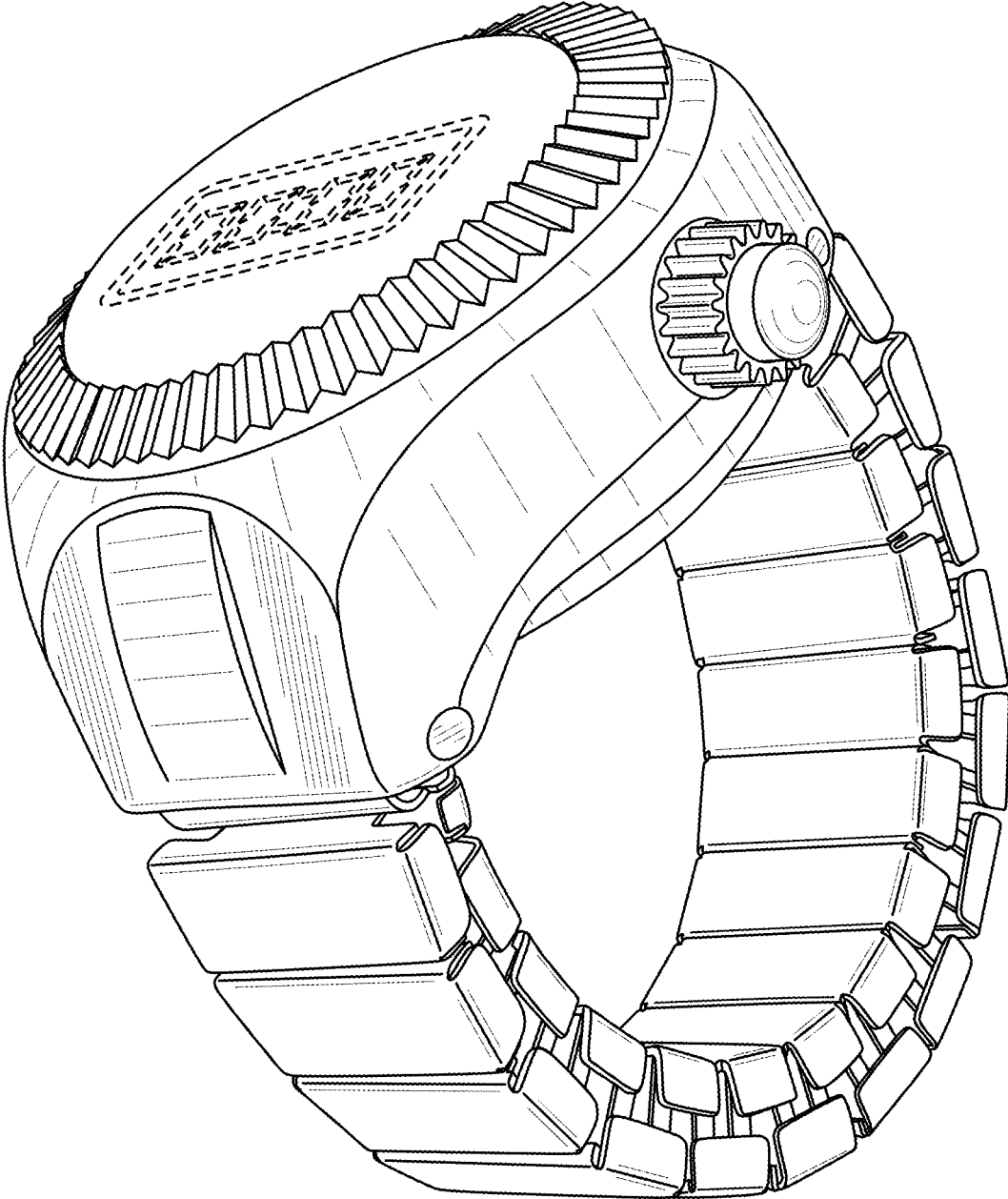


FIG. 1

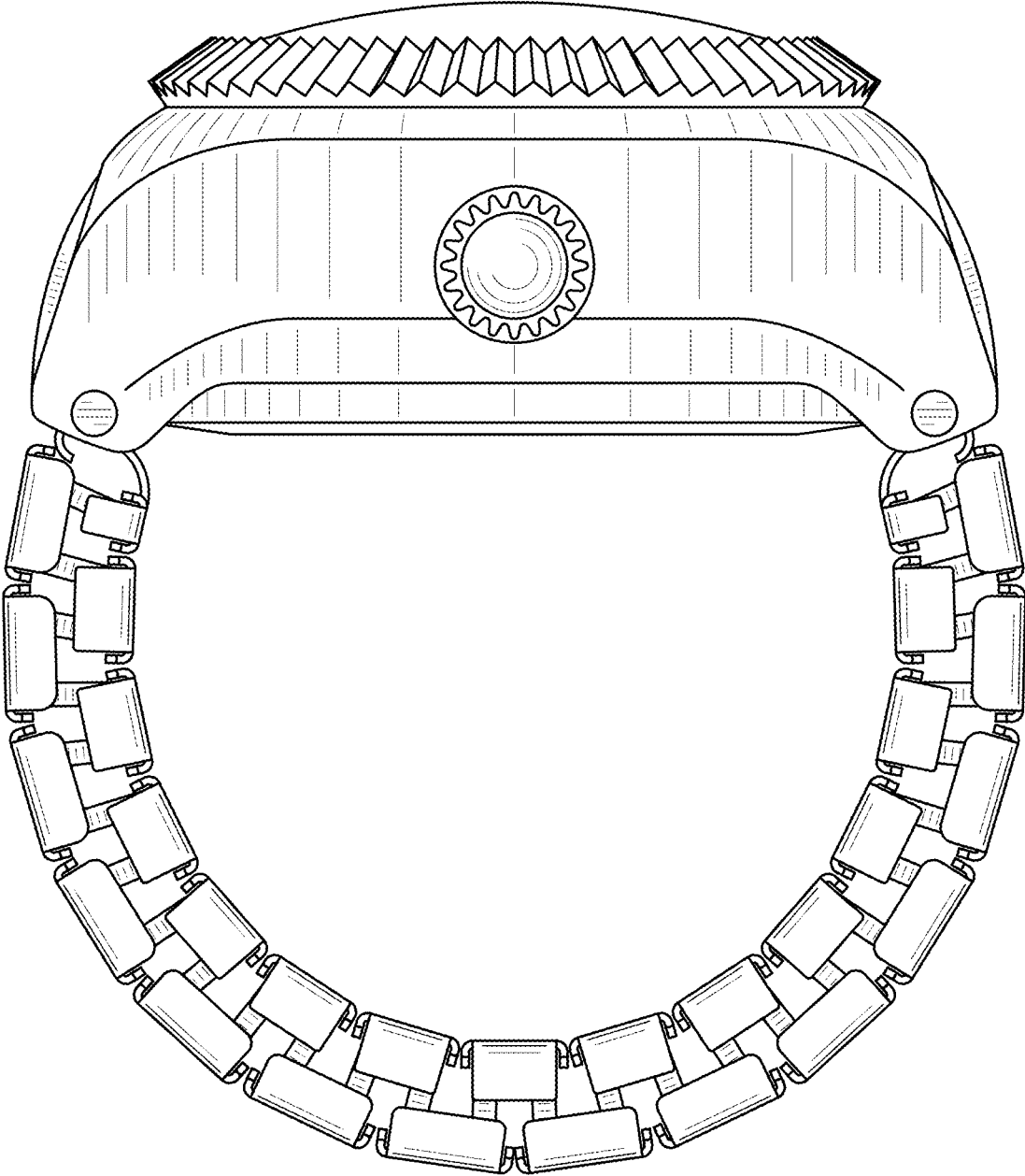


FIG. 2

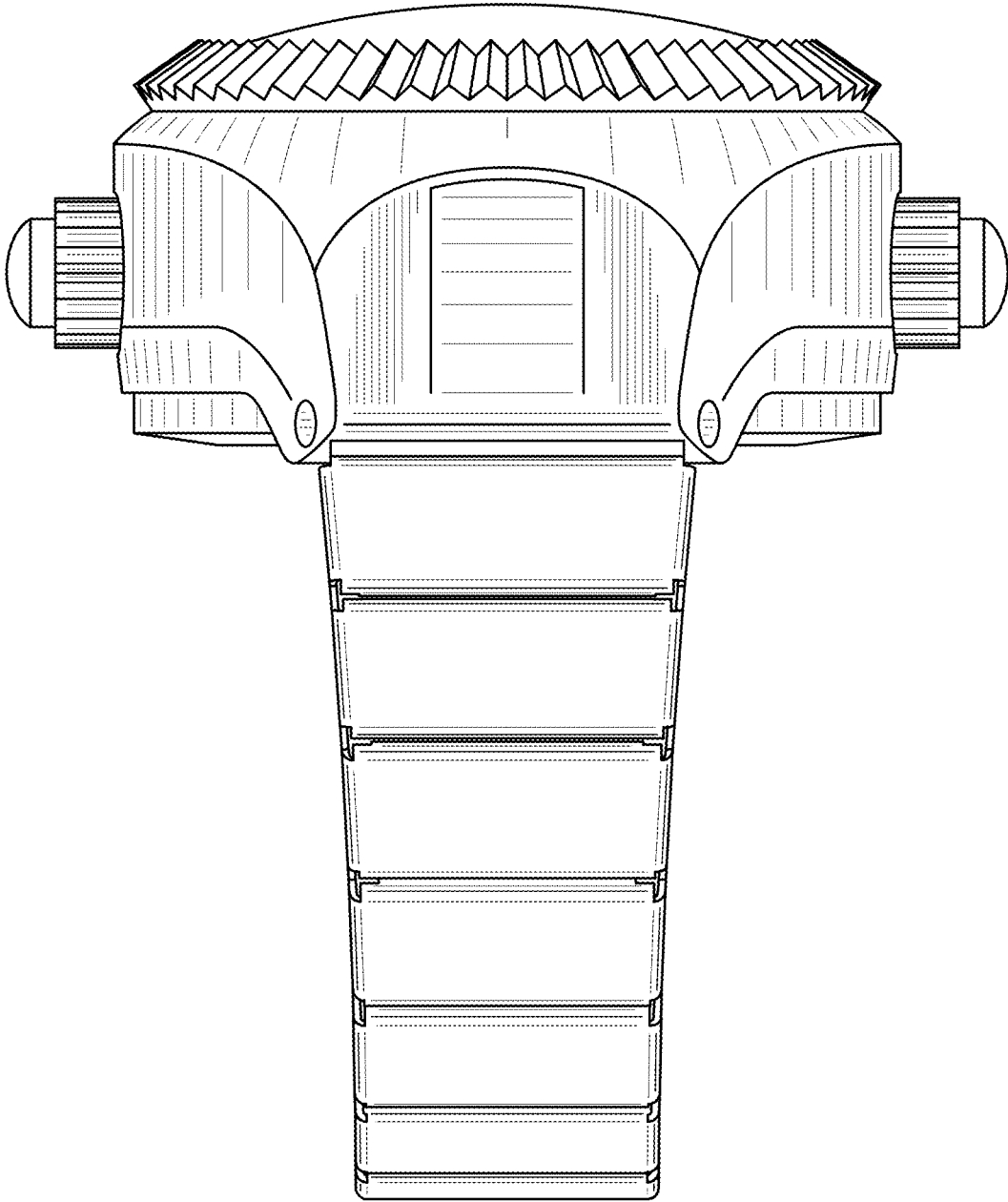


FIG. 3

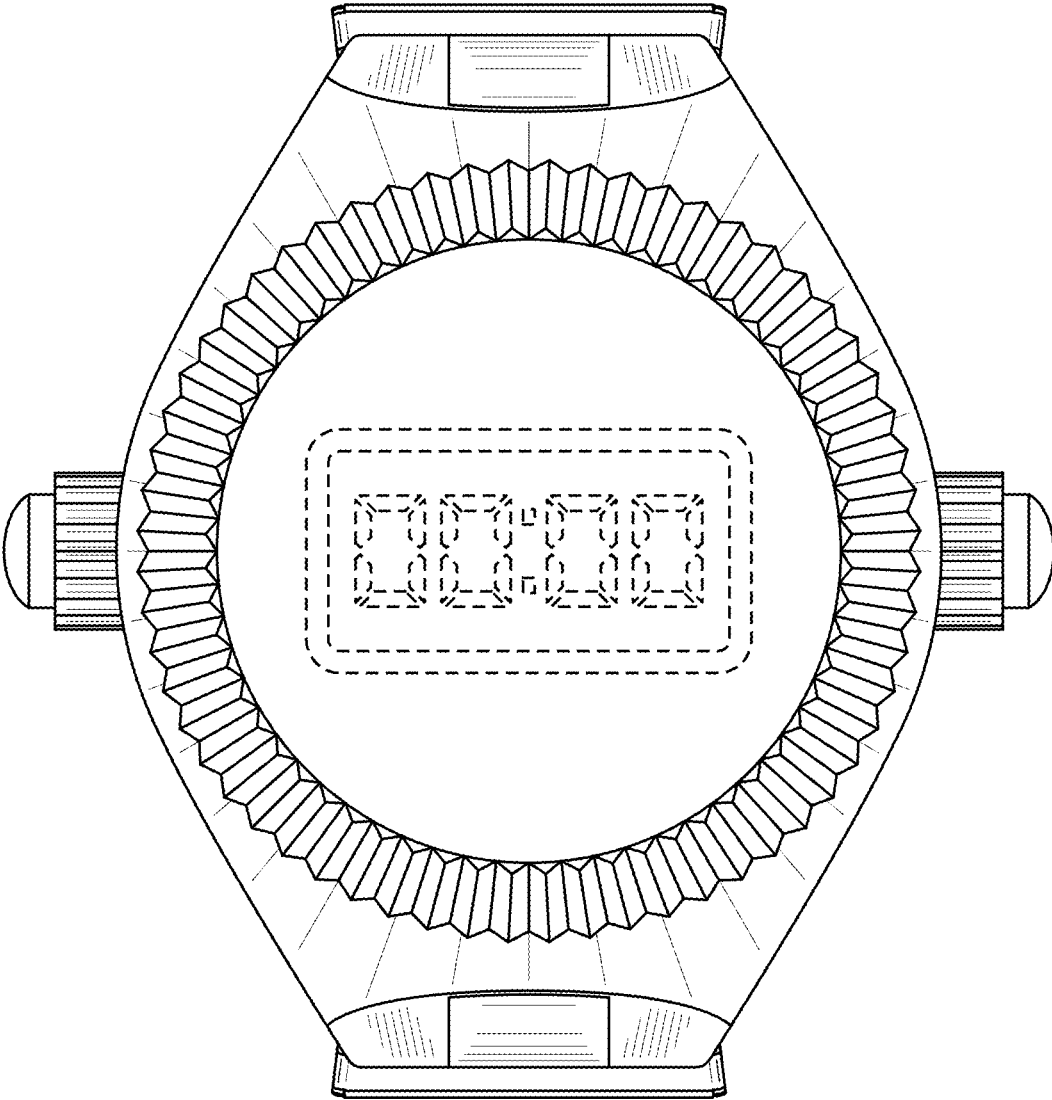


FIG. 4

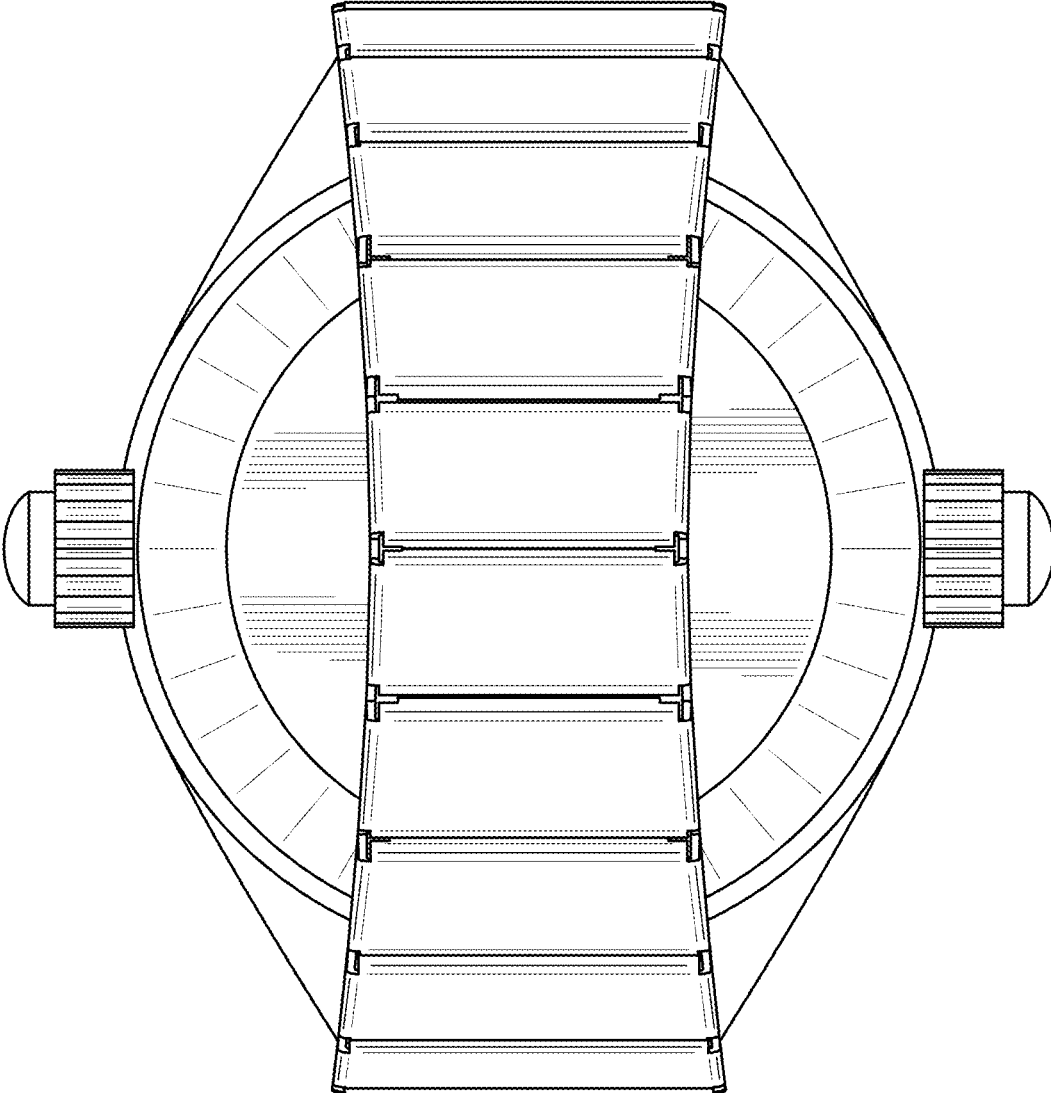


FIG. 5