



US00D913415S

(12) **United States Design Patent**
Kremerman

(10) **Patent No.:** **US D913,415 S**

(45) **Date of Patent:** **** Mar. 16, 2021**

(54) **SHORT DISTILLATION HEAD WITH INTEGRATED COOLING JACKET**

(71) Applicant: **Elliot Kremerman**, Los Gatos, CA (US)

(72) Inventor: **Elliot Kremerman**, Los Gatos, CA (US)

(**) Term: **15 Years**

(21) Appl. No.: **29/741,384**

(22) Filed: **Jul. 13, 2020**

(51) **LOC (13) Cl.** **23-01**

(52) **U.S. Cl.**
USPC **D23/207**

(58) **Field of Classification Search**
USPC D23/207, 209, 213, 233, 259, 266, 268;
D27/163-166, 194
CPC B01D 5/0051; B01D 3/00; B01D 3/04;
B01D 3/008
See application file for complete search history.

(56) **References Cited**

U.S. PATENT DOCUMENTS

| | | | |
|-----------|---|---------|----------|
| D173,603 | S | 12/1954 | Atkinson |
| 3,020,215 | A | 2/1962 | Weber |
| 3,271,935 | A | 9/1966 | Smith |
| 3,334,025 | A | 8/1967 | Reid |
| D247,248 | S | 2/1978 | Durot |
| 4,089,749 | A | 5/1978 | Karamian |
| D248,485 | S | 7/1978 | Strauss |
| 4,159,817 | A | 7/1979 | Ikawa |
| 4,230,536 | A | 10/1980 | Sech |
| 4,303,614 | A | 12/1981 | Spring |
| D293,128 | S | 12/1987 | Karamian |
| D293,368 | S | 12/1987 | Karamian |
| D306,338 | S | 2/1990 | Rempe |
| D314,225 | S | 1/1991 | Palmer |
| D316,739 | S | 5/1991 | Erickson |

| | | | |
|-----------|----|---------|---------------|
| D339,862 | S | 9/1993 | Weber |
| 5,354,428 | A | 10/1994 | Clark |
| D358,448 | S | 5/1995 | Paoli |
| 5,411,707 | A | 5/1995 | Hiatt |
| 5,711,857 | A | 1/1998 | Armstrong |
| D412,550 | S | 8/1999 | Bell |
| D425,174 | S | 5/2000 | Swancara |
| D432,203 | S | 10/2000 | Edwards |
| D455,813 | S | 4/2002 | Mount |
| D458,340 | S | 6/2002 | Lindahl |
| 6,551,464 | B1 | 4/2003 | Kimel |
| D634,397 | S | 3/2011 | Lautzenheiser |
| D706,386 | S | 6/2014 | Ambler |

(Continued)

Primary Examiner — John A Voytek

(74) *Attorney, Agent, or Firm* — Michael J. Feigin, Esq.;
Feigin and Fridman LLC

(57) **CLAIM**

The ornamental design for a short distillation head with integrated cooling jacket, as shown and described.

DESCRIPTION

FIG. 1 shows a top and side perspective view of a distillation apparatus of embodiments of the disclosed technology.

FIG. 2 shows a reverse bottom and side perspective view thereof.

FIG. 3 shows a front elevation view thereof.

FIG. 4 shows a side elevation view thereof.

FIG. 5 shows a side elevation view thereof.

FIG. 6 shows a top plan view thereof.

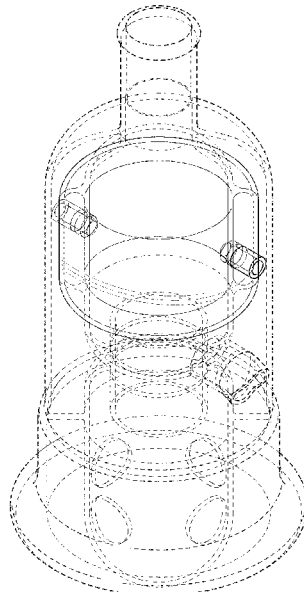
FIG. 7 shows a bottom plan view thereof.

FIG. 8 shows a vertical cross section thereof along section line 8-8 of FIG. 6; and,

FIG. 9 shows a side elevation view thereof with an attached condenser unit.

The dotted lined regions show the environment around the condenser unit and form no part of the claimed design.

1 Claim, 8 Drawing Sheets



(56)

References Cited

U.S. PATENT DOCUMENTS

| | | | | |
|--------------|------|---------|-------------------|-------------|
| D710,052 | S * | 7/2014 | Lanča | D27/162 |
| D727,460 | S | 4/2015 | Collins | |
| D728,854 | S | 5/2015 | Siniakov | |
| D731,615 | S | 6/2015 | Ambler | |
| 9,138,657 | B1 | 9/2015 | Wiederin | |
| D775,310 | S | 12/2016 | Kremerman | |
| D776,238 | S | 1/2017 | Kremerman | |
| D776,786 | S * | 1/2017 | Okazaki | D23/209 |
| D780,286 | S | 2/2017 | Ausner | |
| D787,630 | S | 5/2017 | Lipkens | |
| D796,278 | S * | 9/2017 | Lonsway | D8/1 |
| 9,757,778 | B1 * | 9/2017 | Kindelspire | B05B 15/534 |
| D828,522 | S * | 9/2018 | McIntosh | D23/261 |
| D849,187 | S * | 5/2019 | Kremerman | D23/207 |
| D850,576 | S * | 6/2019 | Kremerman | D23/207 |
| D875,881 | S * | 2/2020 | Kremerman | D23/207 |
| D896,920 | S * | 9/2020 | Maibach, Jr. | D23/207 |
| 10,874,955 | B2 * | 12/2020 | Kremerman | B01D 3/32 |
| 2018/0065060 | A1 * | 3/2018 | Wells | B01D 3/12 |
| 2018/0290074 | A1 * | 10/2018 | Kremerman | B01D 3/085 |
| 2020/0338468 | A1 * | 10/2020 | Kremerman | B01D 5/0012 |

* cited by examiner

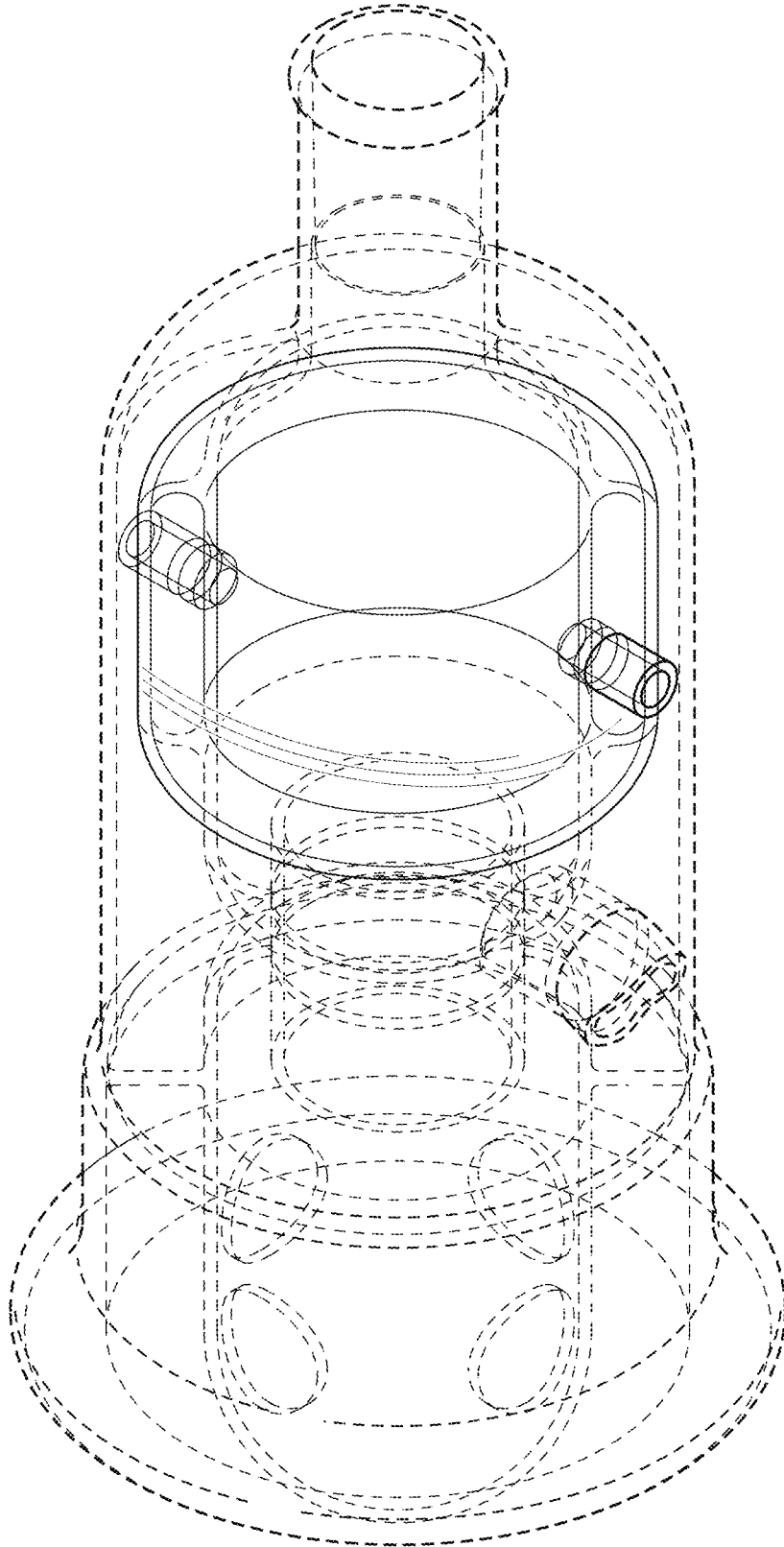


FIG. 1

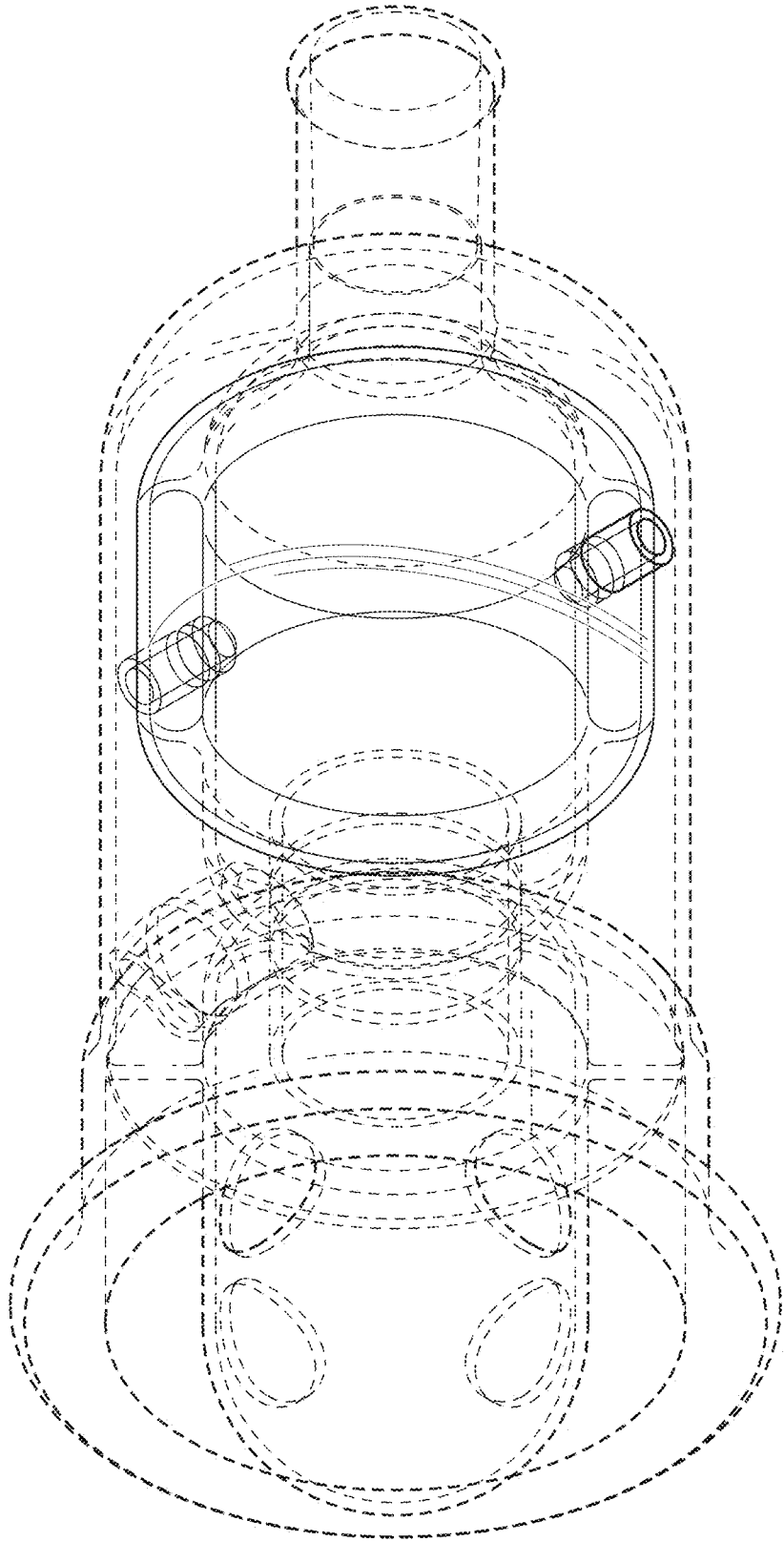


FIG. 2

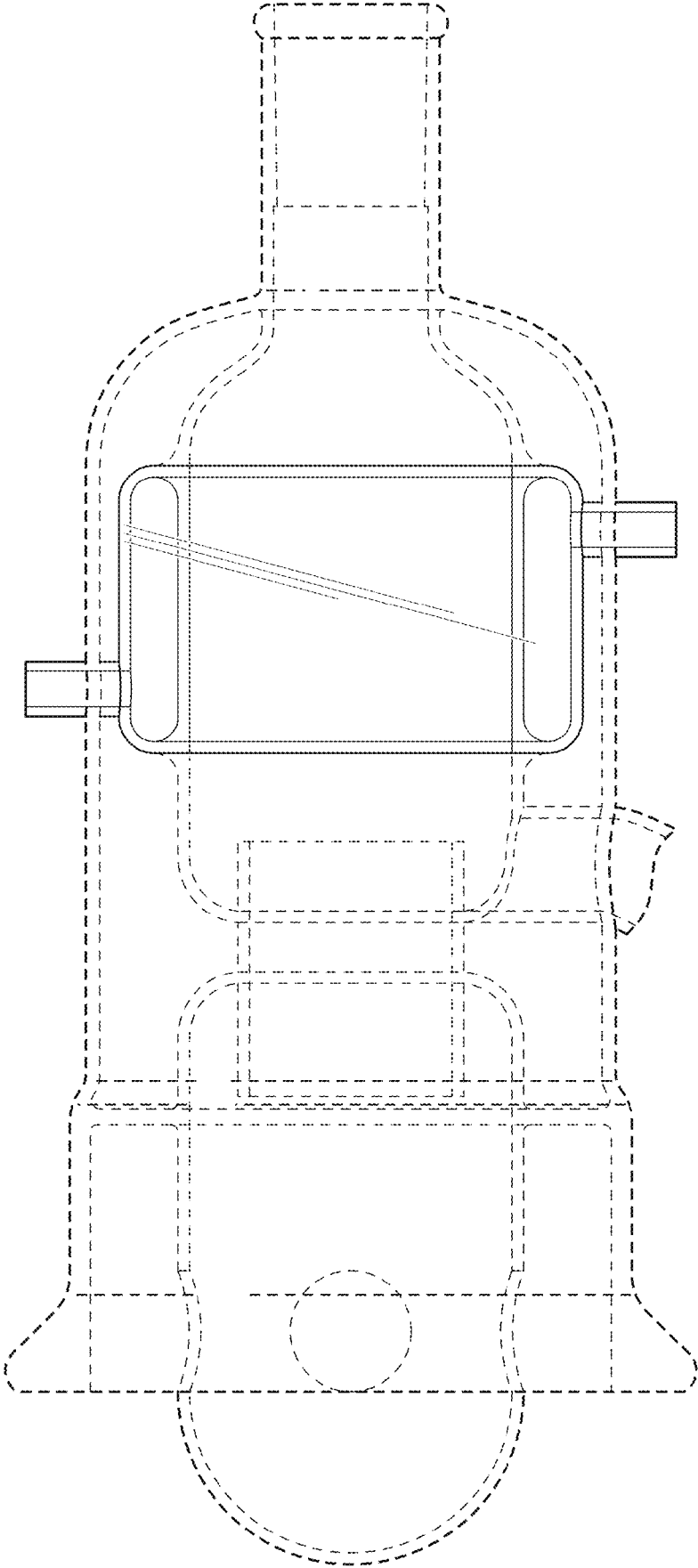


FIG. 3

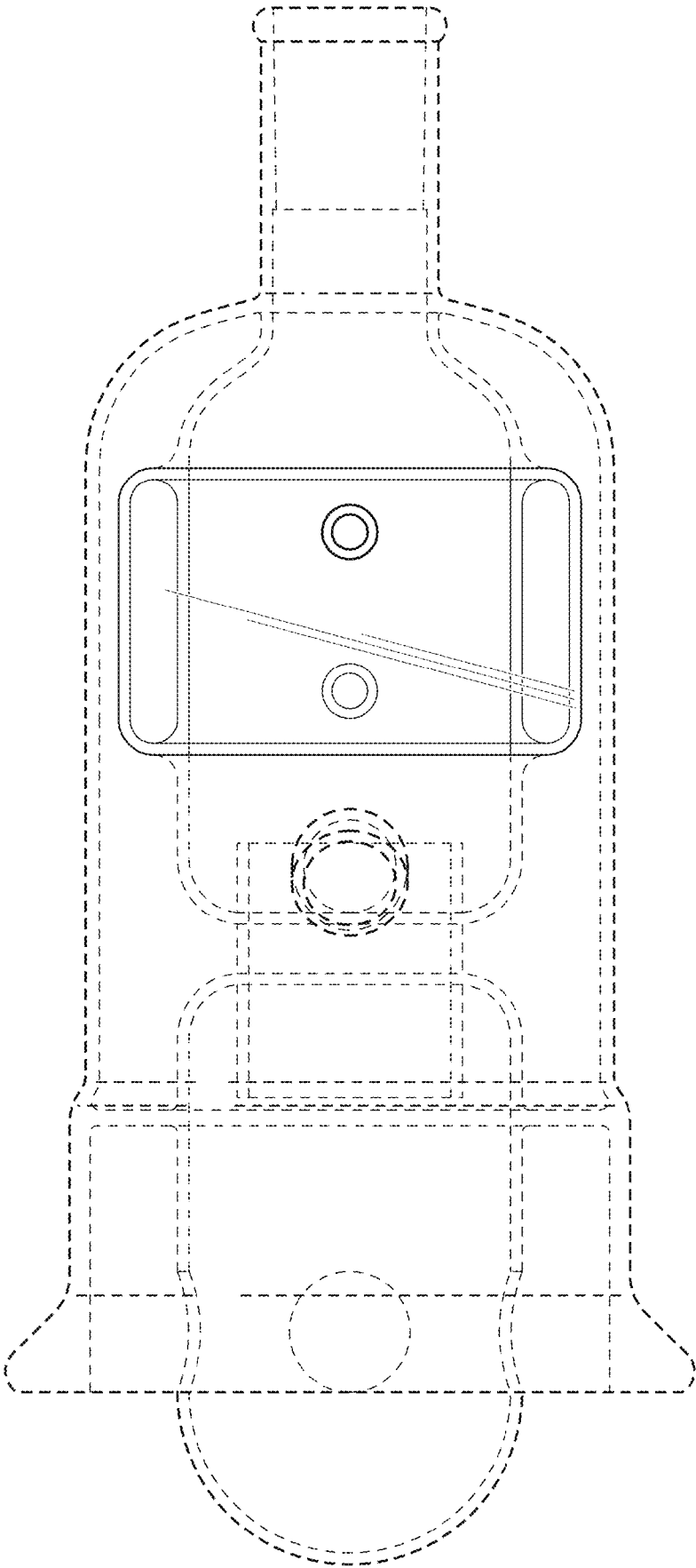


FIG. 4

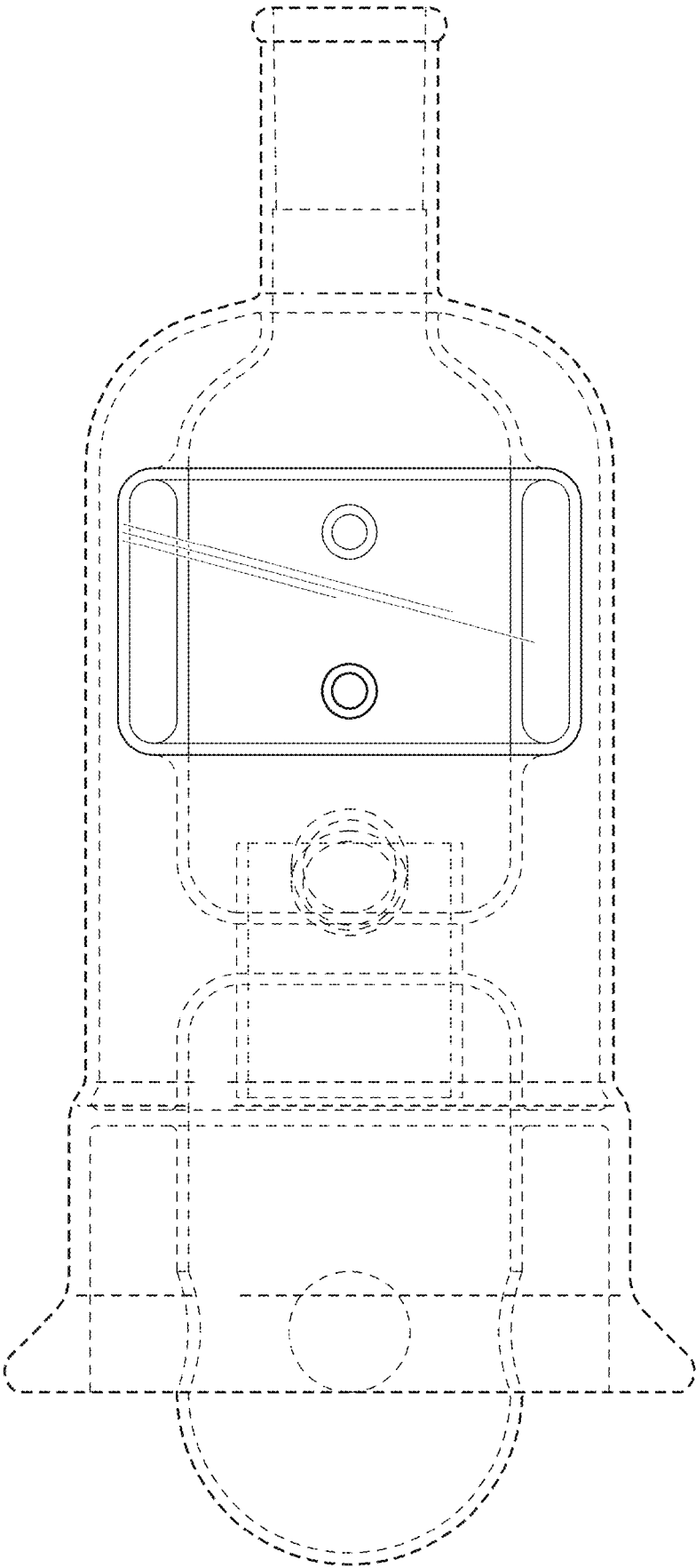


FIG. 5

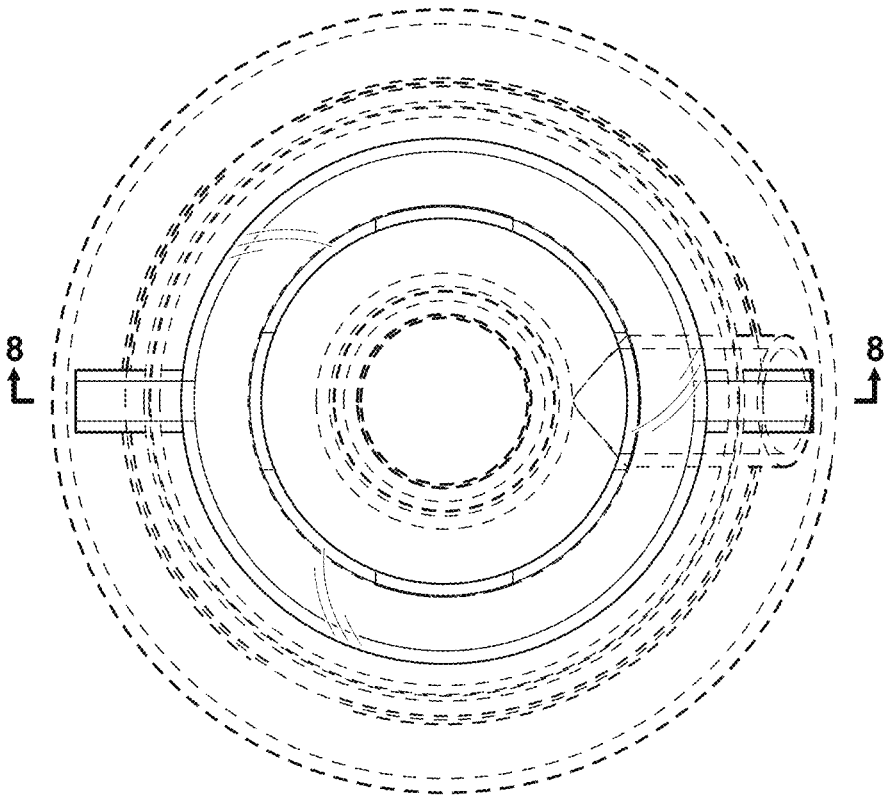


FIG. 6

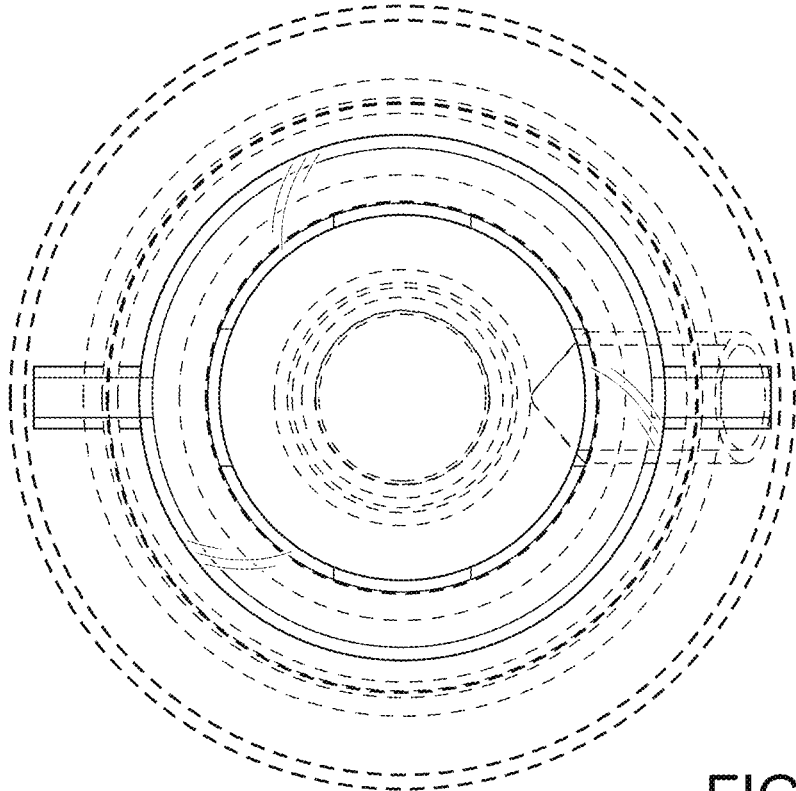


FIG. 7

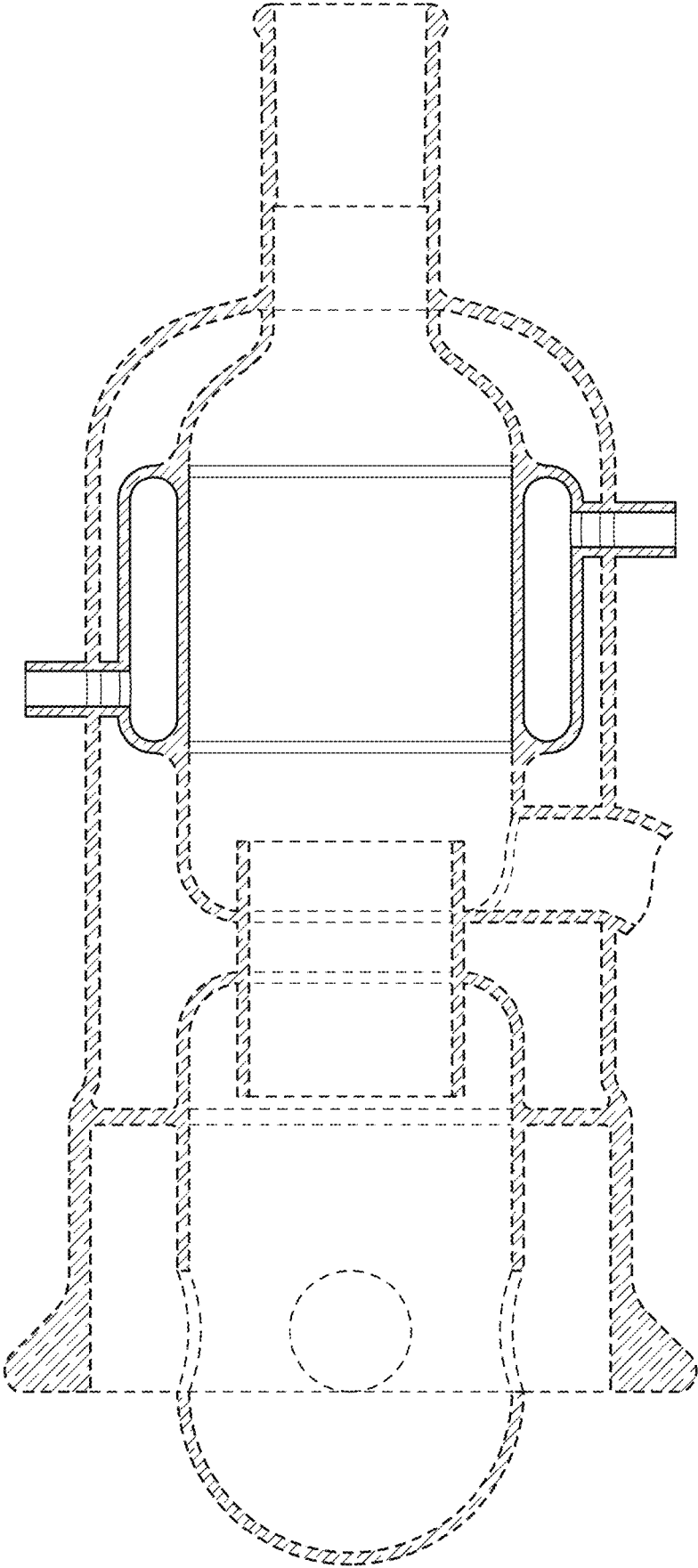


FIG. 8

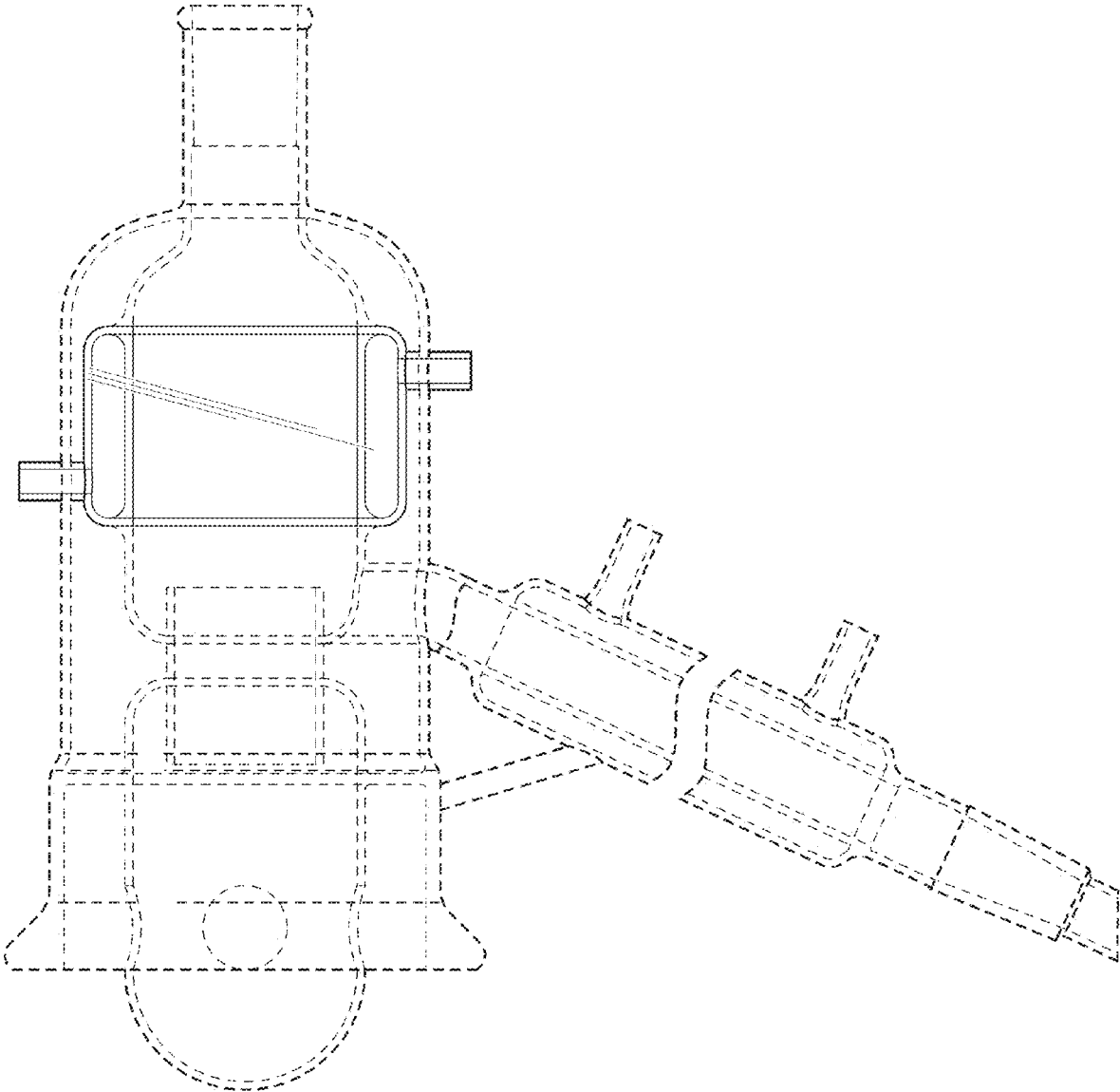


FIG. 9