



(12) **United States Design Patent**
Kremerman

(10) **Patent No.:** **US D919,040 S**
(45) **Date of Patent:** **** May 11, 2021**

(54) **DISTILLATION TUBE WITH FRACTION COLLECTOR**

(71) Applicant: **Elliot Kremerman**, Los Gatos, CA (US)

(72) Inventor: **Elliot Kremerman**, Los Gatos, CA (US)

(**) Term: **15 Years**

(21) Appl. No.: **29/765,389**

(22) Filed: **Jan. 7, 2021**

(51) **LOC (13) Cl.** **23-01**

(52) **U.S. Cl.**
USPC **D23/207**

(58) **Field of Classification Search**
USPC D23/207, 209, 213, 233, 359, 266, 268
CPC B01D 5/051; B01D 3/00; B01D 3/04
See application file for complete search history.

(56) **References Cited**

U.S. PATENT DOCUMENTS

2,038,546	A *	4/1936	Dearing	B01D 5/0039
					417/53
D173,603	S	12/1954	Atkinson		
2,701,789	A *	2/1955	White	B01D 3/4205
					202/161
3,020,215	A	2/1962	Weber		
3,271,935	A	9/1966	Smith		
3,334,025	A	8/1967	Reid		
D247,248	S	2/1978	Durot		
4,089,749	A	5/1978	Karamian		
D248,485	S	7/1978	Strauss		
4,159,817	A	7/1979	Ikawa		
4,230,536	A	10/1980	Sech		
4,303,614	A	12/1981	Spring		
D293,128	S	12/1987	Karamian		
D293,368	S	12/1987	Karamian		
D306,338	S	2/1990	Rempe		
D314,225	S	1/1991	Palmer		

D316,739	S	5/1991	Erickson		
D318,917	S *	8/1991	Karamian	D24/232
D339,862	S	9/1993	Weber		
5,354,428	A	10/1994	Clark		
D358,448	S	5/1995	Paoli		
5,411,707	A	5/1995	Hiatt		
5,711,857	A	1/1998	Armstrong		
D412,550	S	8/1999	Bell		
D425,174	S	5/2000	Swancara		
D432,203	S	10/2000	Edwards		
D455,813	S	4/2002	Mount		
D458,340	S	6/2002	Lindahl		
6,551,464	B1	4/2003	Kimel		

(Continued)

Primary Examiner — Karen S Acker

Assistant Examiner — Jonathan Emil Fiencke

(74) *Attorney, Agent, or Firm* — Michael J. Feigin, Esq.;
Feigin and Fridman LLC

(57) **CLAIM**

The ornamental design for a distillation tube with fraction collector, as shown and described.

DESCRIPTION

FIG. 1 shows a top and side perspective view of a distillation tube with fraction collector.

FIG. 2 shows a bottom and reverse side perspective view thereof.

FIG. 3 shows a front elevation view thereof.

FIG. 4 shows a right side elevation view thereof.

FIG. 5 shows a left side elevation view thereof.

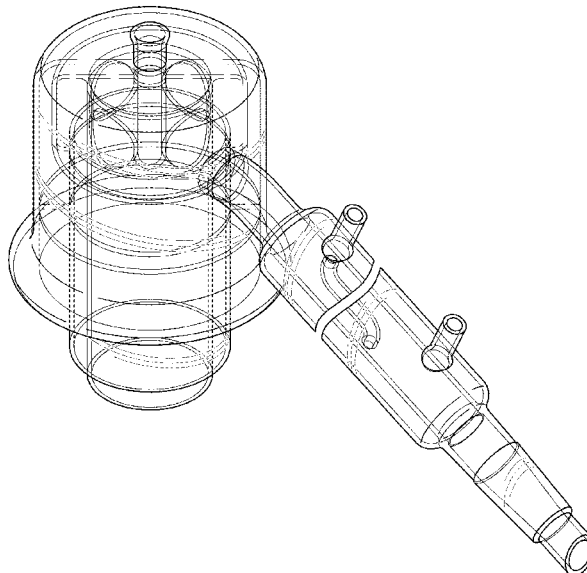
FIG. 6 shows a top plan view thereof.

FIG. 7 shows a bottom plan view thereof; and,

FIG. 8 is a cross sectional view taken in the direction of 8-8 in FIG. 5.

The distillation tube with fraction collector is shown with a symbolic break along its length. The appearance of any portion of the article between the break lines forms no part of the claimed design.

1 Claim, 7 Drawing Sheets



(56)

References Cited

U.S. PATENT DOCUMENTS

D634,397 S	3/2011	Lautzenheiser		D805,599 S	12/2017	Kremerman	
8,496,234 B1 *	7/2013	Govindan B01D 5/0039 261/128	D805,600 S	12/2017	Kremerman	
D706,386 S	6/2014	Ambler		D806,829 S	1/2018	Kremerman	
D727,460 S	4/2015	Collins		D819,779 S	6/2018	Kremerman	
D728,854 S	5/2015	Shlyakhter		D828,904 S *	9/2018	Maibach, Jr. D23/207
D731,615 S	6/2015	Ambler		D841,119 S *	2/2019	Huang D23/207
9,138,657 B1	9/2015	Wiederin		D849,184 S	5/2019	Kremerman	
D775,310 S	12/2016	Kremerman		D849,187 S	5/2019	Kremerman	
D776,238 S	1/2017	Kremerman		D852,928 S *	7/2019	Maibach, Jr. D23/207
D780,286 S	2/2017	Ausner		D862,640 S *	10/2019	Maibach, Jr. D23/207
D787,630 S	5/2017	Lipkens		D877,856 S	3/2020	Maibach, Jr.	
D790,033 S	6/2017	Kremerman		D896,921 S *	9/2020	Maibach, Jr. D23/207
9,682,331 B2	6/2017	Kremerman		D896,923 S *	9/2020	Maibach, Jr. D23/213
9,750,834 B1 *	9/2017	Hammarback B01D 27/08	D910,809 S *	2/2021	Pawlak D23/207
D802,084 S	12/2017	Kremerman		2018/0161693 A1	6/2018	Kremerman	
D802,085 S	12/2017	Kremerman		2018/0280829 A1 *	10/2018	Hao B01L 3/16
				2018/0290074 A1	10/2018	Kremerman	
				2019/0009188 A1	1/2019	Kremerman	
				2019/0076752 A1	3/2019	Maibach	

* cited by examiner

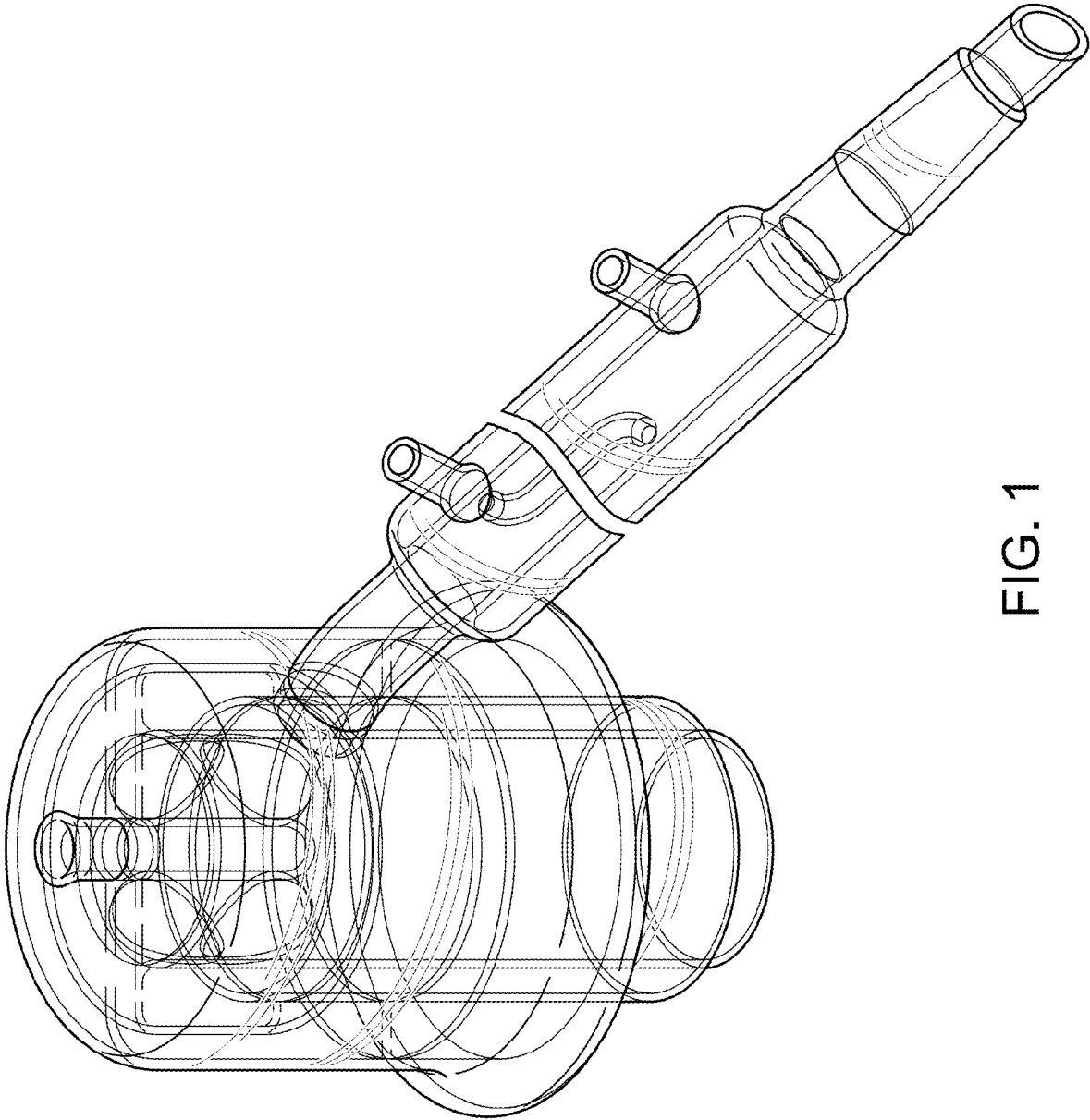


FIG. 1

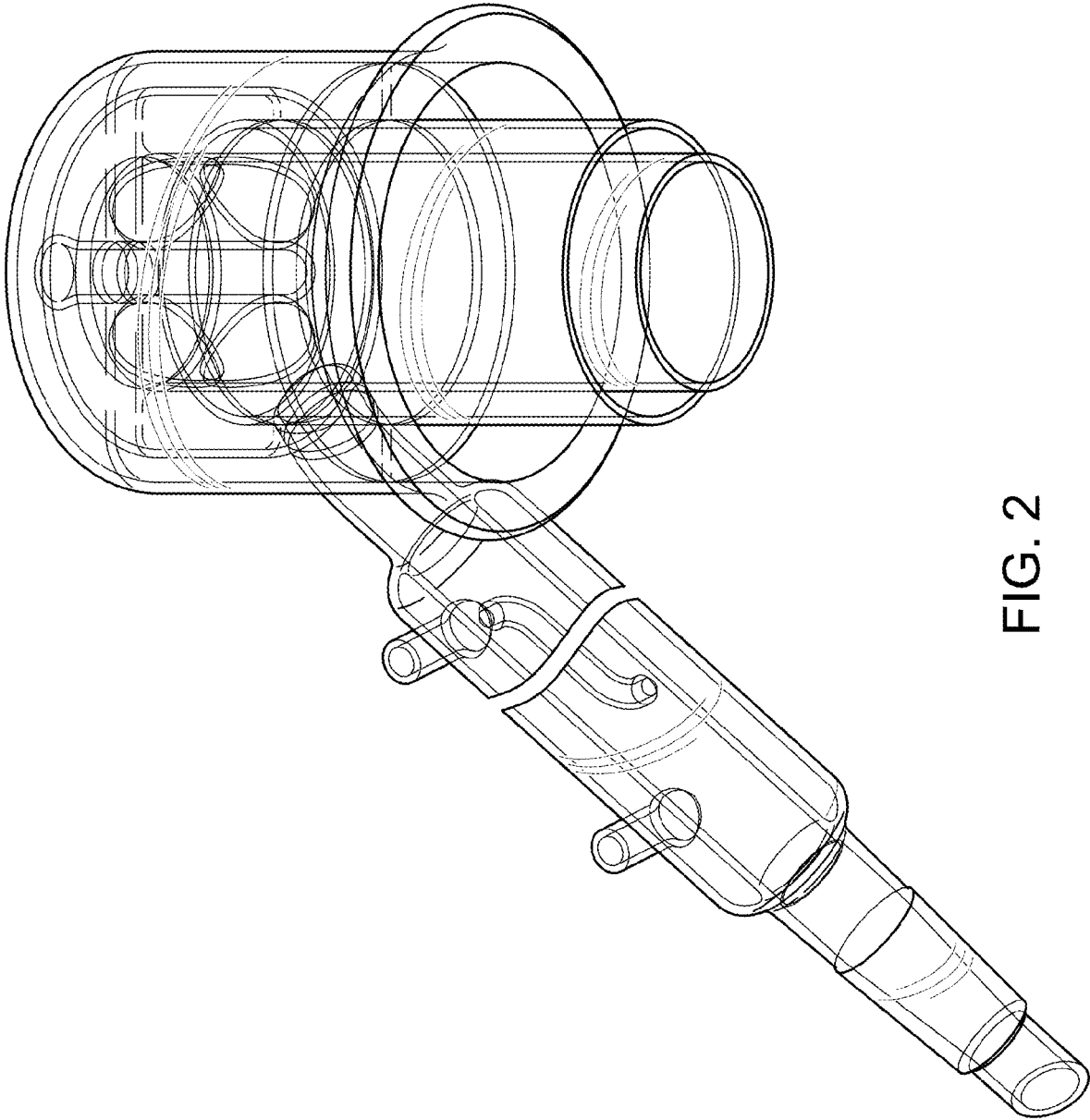


FIG. 2

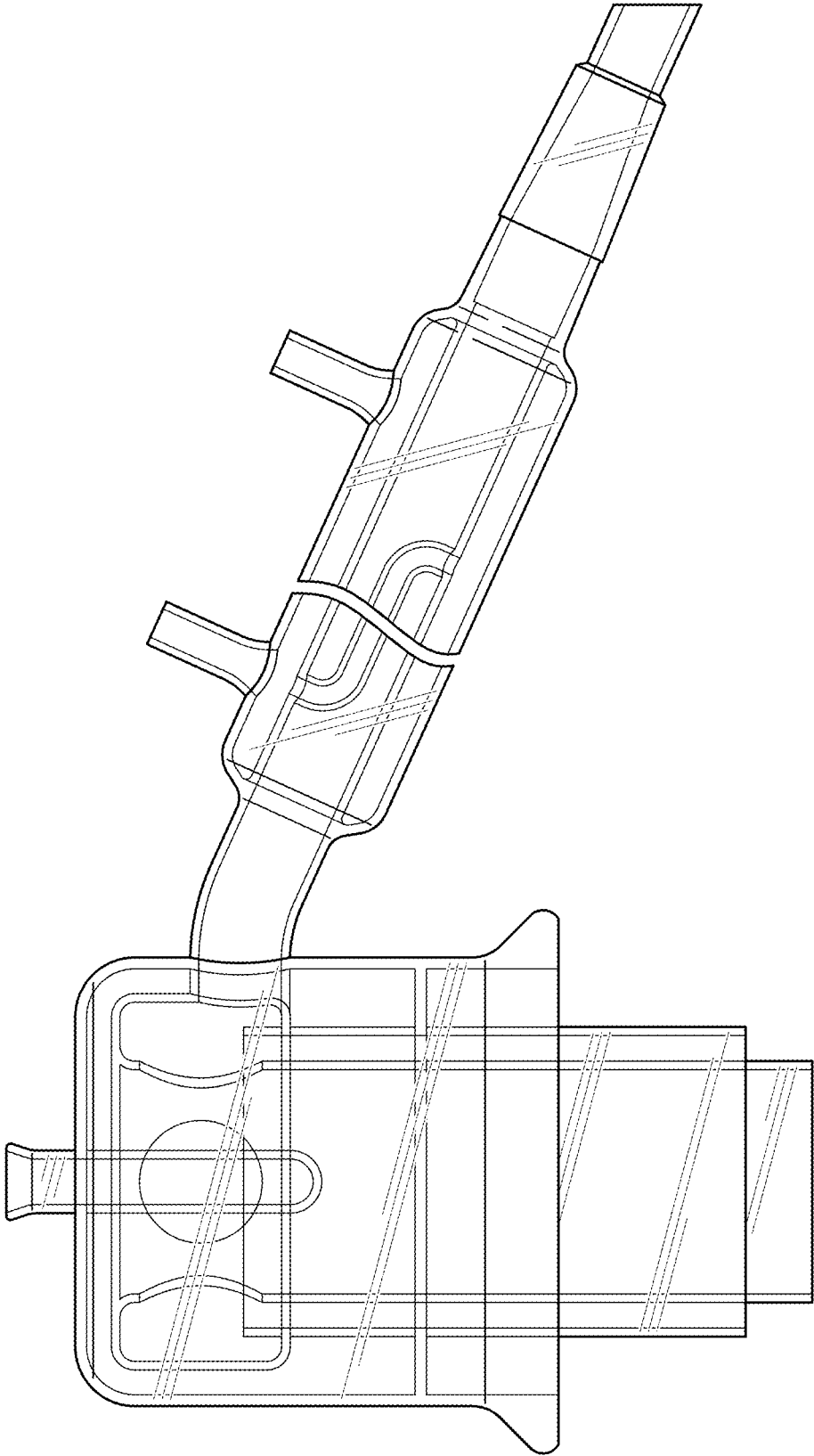


FIG. 3

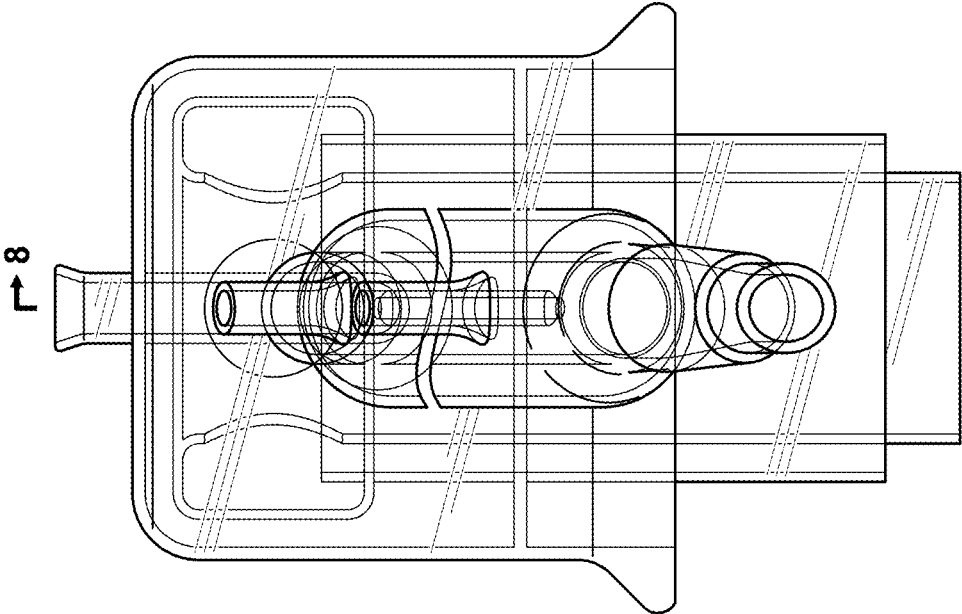


FIG. 5

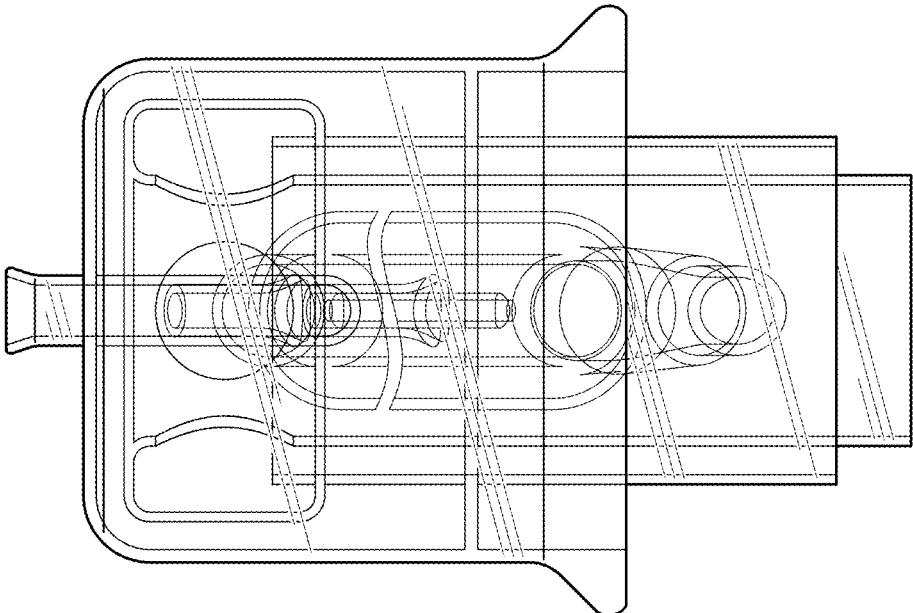


FIG. 4

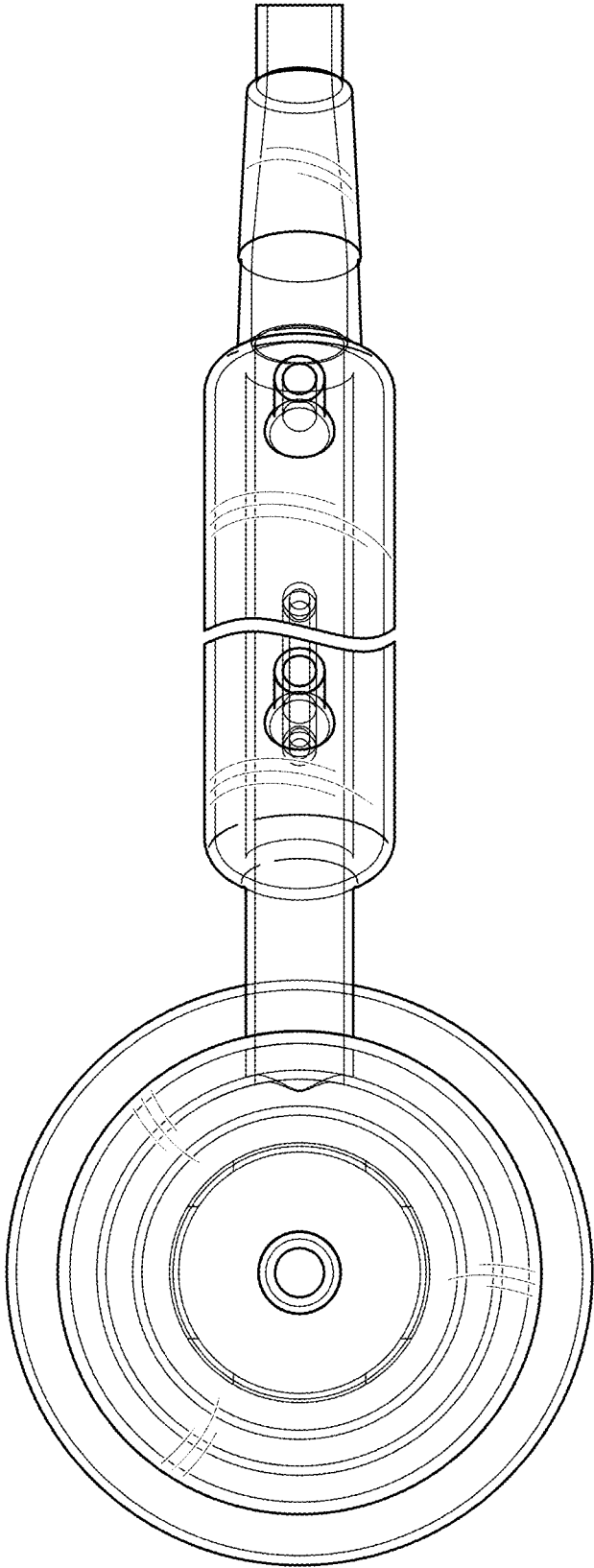


FIG. 6

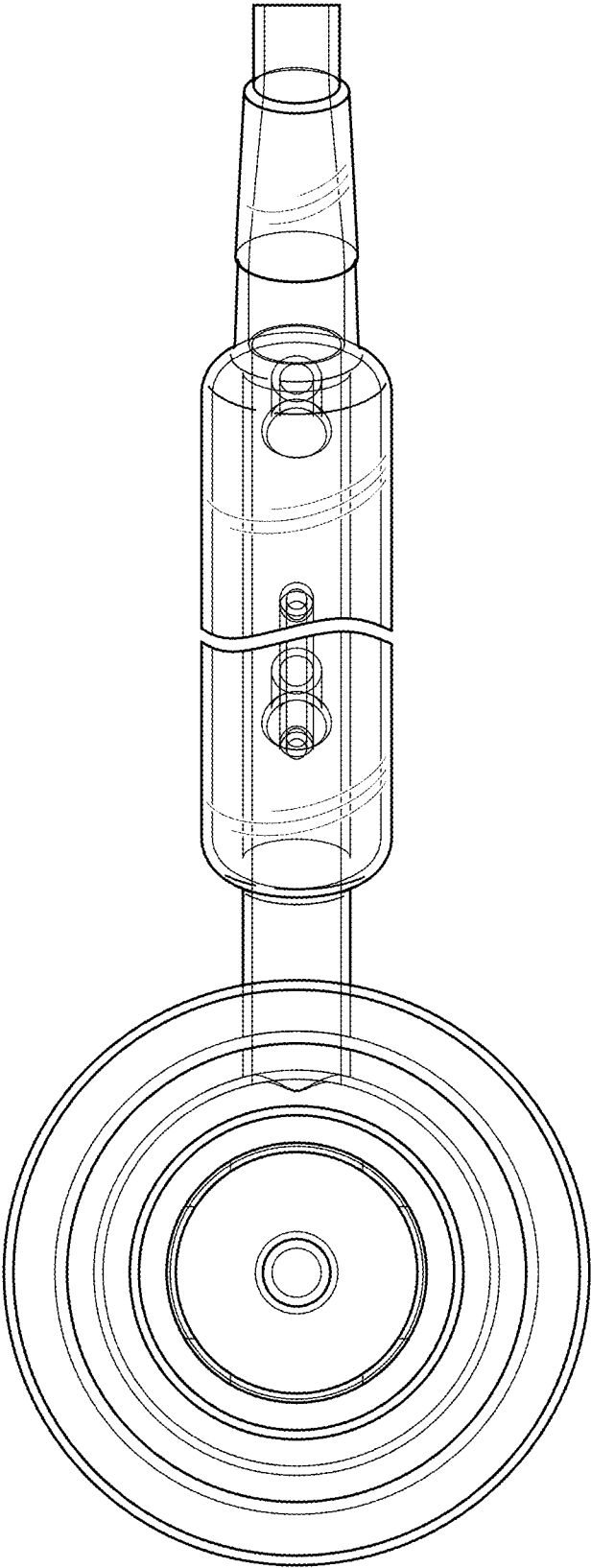


FIG. 7

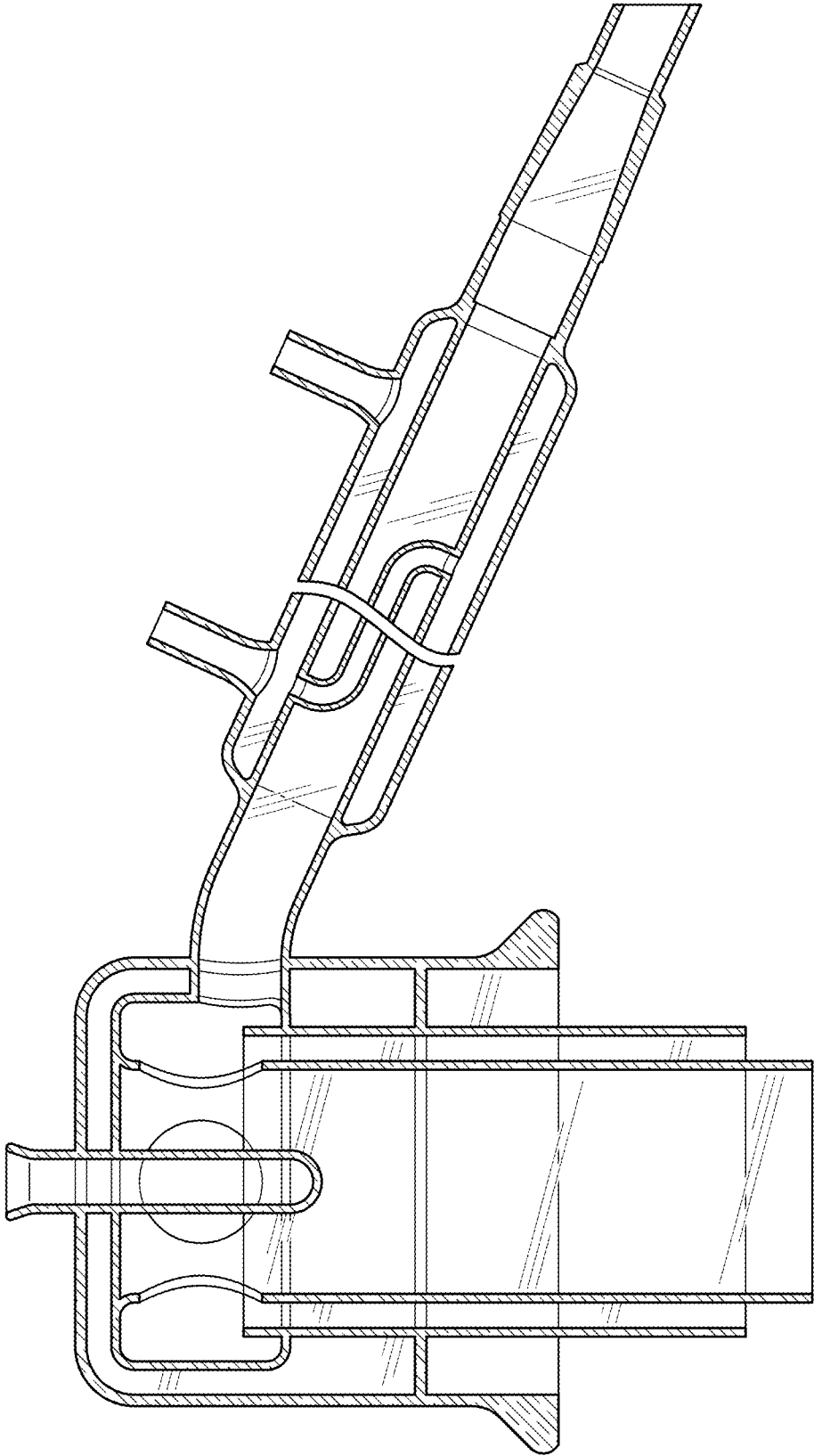


FIG. 8