



US00D925000S

(12) **United States Design Patent**
Daniil

(10) **Patent No.:** **US D925,000 S**

(45) **Date of Patent:** **** Jul. 13, 2021**

(54) **RAT TRAP**

(71) Applicant: **Veta Trading Corp**, Wayne, NJ (US)

(72) Inventor: **Daniil Daniil**, Wayne, NJ (US)

(73) Assignee: **VETA TRADING CORP**, Wayne, NJ (US)

(**) Term: **15 Years**

(21) Appl. No.: **29/734,176**

(22) Filed: **May 10, 2020**

(51) **LOC (13) Cl.** **22-06**

(52) **U.S. Cl.**
USPC **D22/119**

(58) **Field of Classification Search**
USPC D22/119-120; 248/346.01; 43/58,
43/69-70, 77, 81-83, 83.5, 88-90, 92-93,
43/98, 114, 136-137
CPC A01M 23/00; A01M 23/30; A01M 23/36;
A01M 23/005; A01M 29/36; A01M 1/14
See application file for complete search history.

(56) **References Cited**

U.S. PATENT DOCUMENTS

432,122 A	7/1890	Donaldson	
432,743 A	7/1890	Waddel	
1,080,623 A	12/1913	Brorby	
1,184,667 A	5/1916	Appleby	
4,665,644 A	5/1987	Vajs	
D320,833 S	10/1991	Lumsden	
D323,016 S	1/1992	Vajs	
D335,325 S	5/1993	Morford	
D385,611 S	10/1997	Prince et al.	
D441,828 S	5/2001	Leyerle	
6,415,544 B1 *	7/2002	Leyerle	A01M 23/24 43/82
6,508,031 B1 *	1/2003	Johnson	A01M 23/30 43/83.5
6,574,912 B1 *	6/2003	Johnson	A01M 23/26 43/58
D503,177 S	3/2005	Underwood	

D532,478 S	11/2006	Wiesener	
D614,724 S	4/2010	Waddington et al.	
D616,958 S	6/2010	Huang	
D664,762 S	8/2012	Dalton	
D671,186 S	11/2012	Dobias	
D671,614 S	11/2012	Dobias	

(Continued)

FOREIGN PATENT DOCUMENTS

WO	2017036480	*	3/2017	A01M 23/30
WO	2017/149163	*	8/2017	A01M 23/26

OTHER PUBLICATIONS

Pest Control Rat Traps & Mouse Traps for Instant Kill Results, Set of 6 Large Reusable Snap Traps for Mice Chipmunks 'N Squirrels, Humane Mousetraps for The House . . . Kat Sense, Pest Control Solutions (Year: 2017) https://www.amazon.com/Professional-Infestation-Solutions-AntiRodent-Protection/dp/B01MZ19B3O/ref=sr_l_5?dchild=1&keywords=rat+trap&qid=1618450757&sr=8-5*

Primary Examiner — Catherine R Oliver-Garcia
(74) *Attorney, Agent, or Firm* — Michael J. Feigin, Esq.; Feigin and Fridman LLC

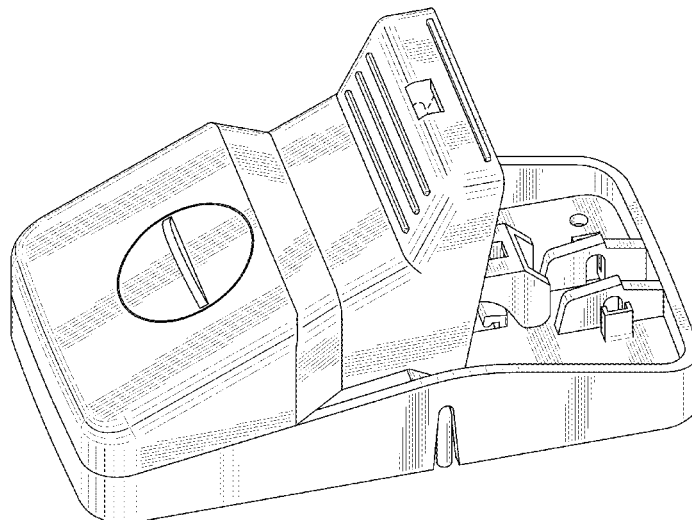
(57) **CLAIM**

The ornamental design for a rat trap, as shown.

DESCRIPTION

FIG. 1 shows a top and side perspective view of a rat trap. FIG. 2 shows a top plan view thereof. FIG. 3 shows a bottom plan view thereof. FIG. 4 shows a side elevation view thereof, the reverse side being a mirror image thereof. FIG. 5 shows a front elevation view thereof; and, FIG. 6 shows a rear elevation view thereof. The dashed lines show portions of the rat trap which form no part of the claimed design.

1 Claim, 6 Drawing Sheets



(56)

References Cited

U.S. PATENT DOCUMENTS

D673,640	S	1/2013	Bailey	
D676,098	S	2/2013	Huang	
8,490,322	B2	7/2013	Dobias	
D713,488	S	9/2014	Dobias et al.	
D713,489	S	9/2014	Dobias	
D722,127	S	2/2015	Huang	
8,959,829	B2	2/2015	Kay	
9,210,924	B1	12/2015	Terrell	
D764,010	S	8/2016	Tian	
D770,006	S	10/2016	Tian	
9,510,587	B1	12/2016	Hodel	
D836,747	S	12/2018	Ambler	
D842,422	S	3/2019	Guerrie et al.	
D863,493	S	10/2019	Le Laidier	
D868,201	S	11/2019	Walsh	
D886,233	S	6/2020	Daniil	
2010/0199544	A1*	8/2010	Frisch	A01M 23/005 43/81
2012/0011764	A1*	1/2012	Dobias	A01M 23/30 43/81
2013/0263494	A1*	10/2013	Kay	A01M 23/00 43/58

* cited by examiner

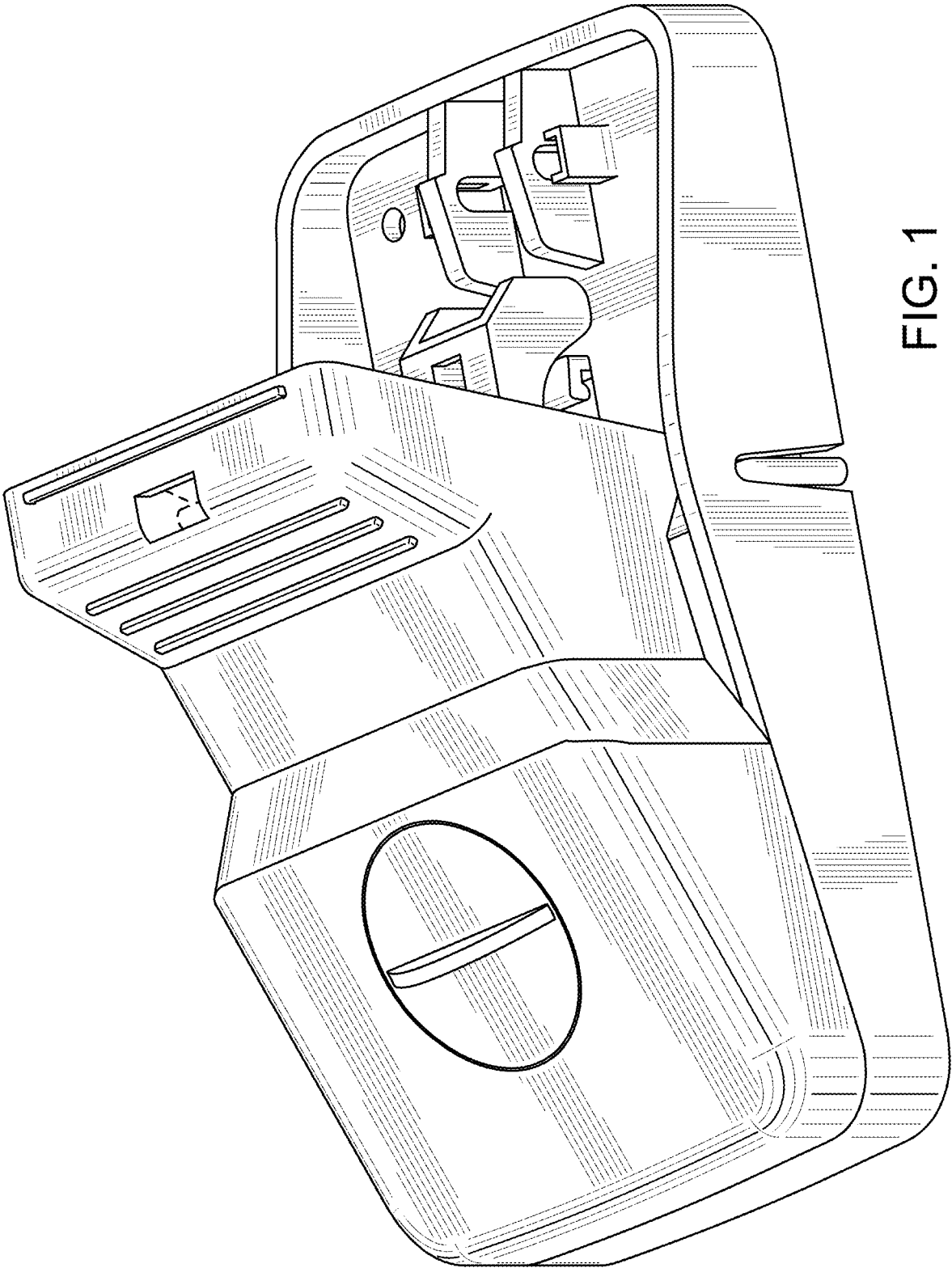


FIG. 1

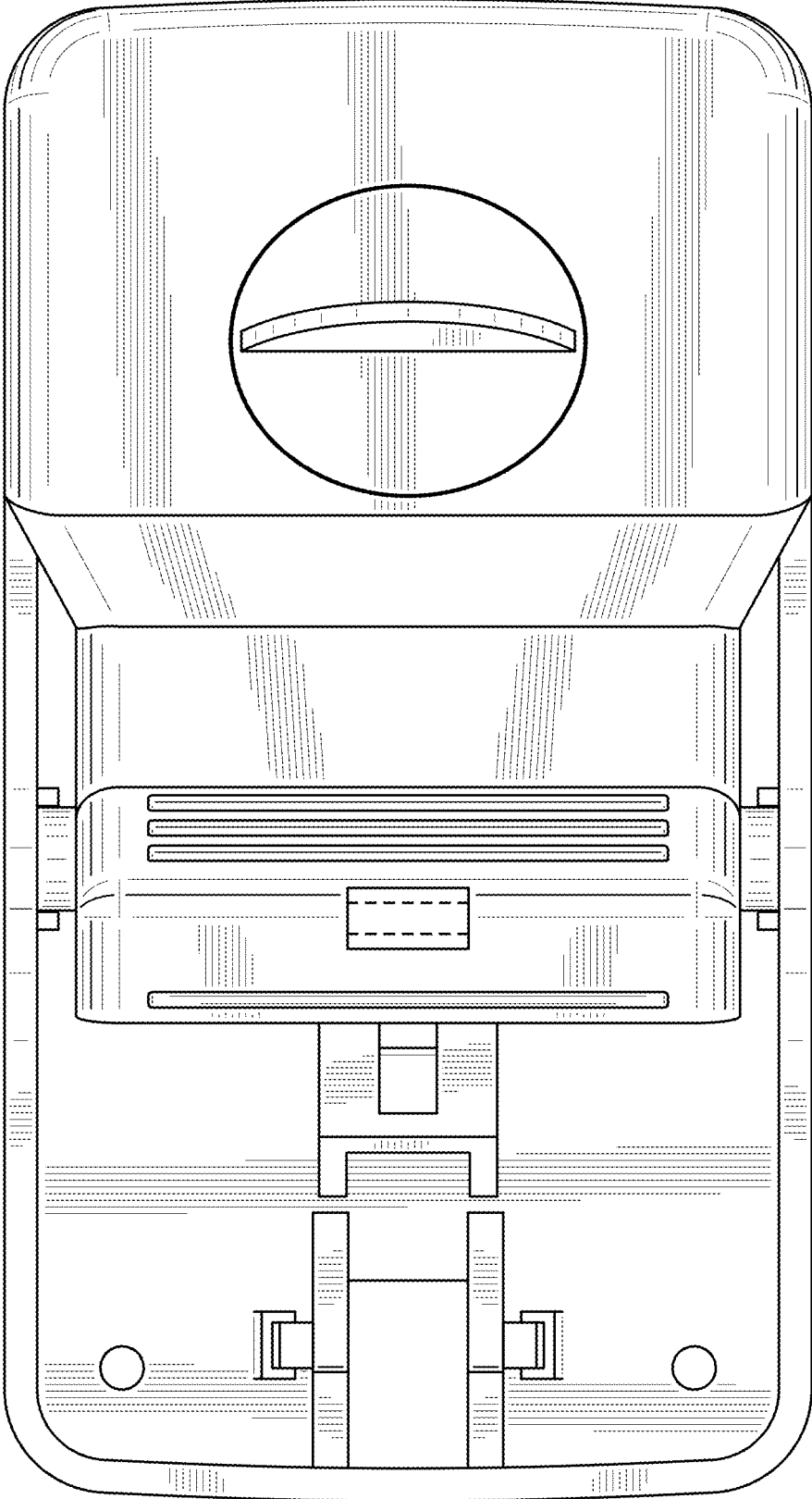


FIG. 2

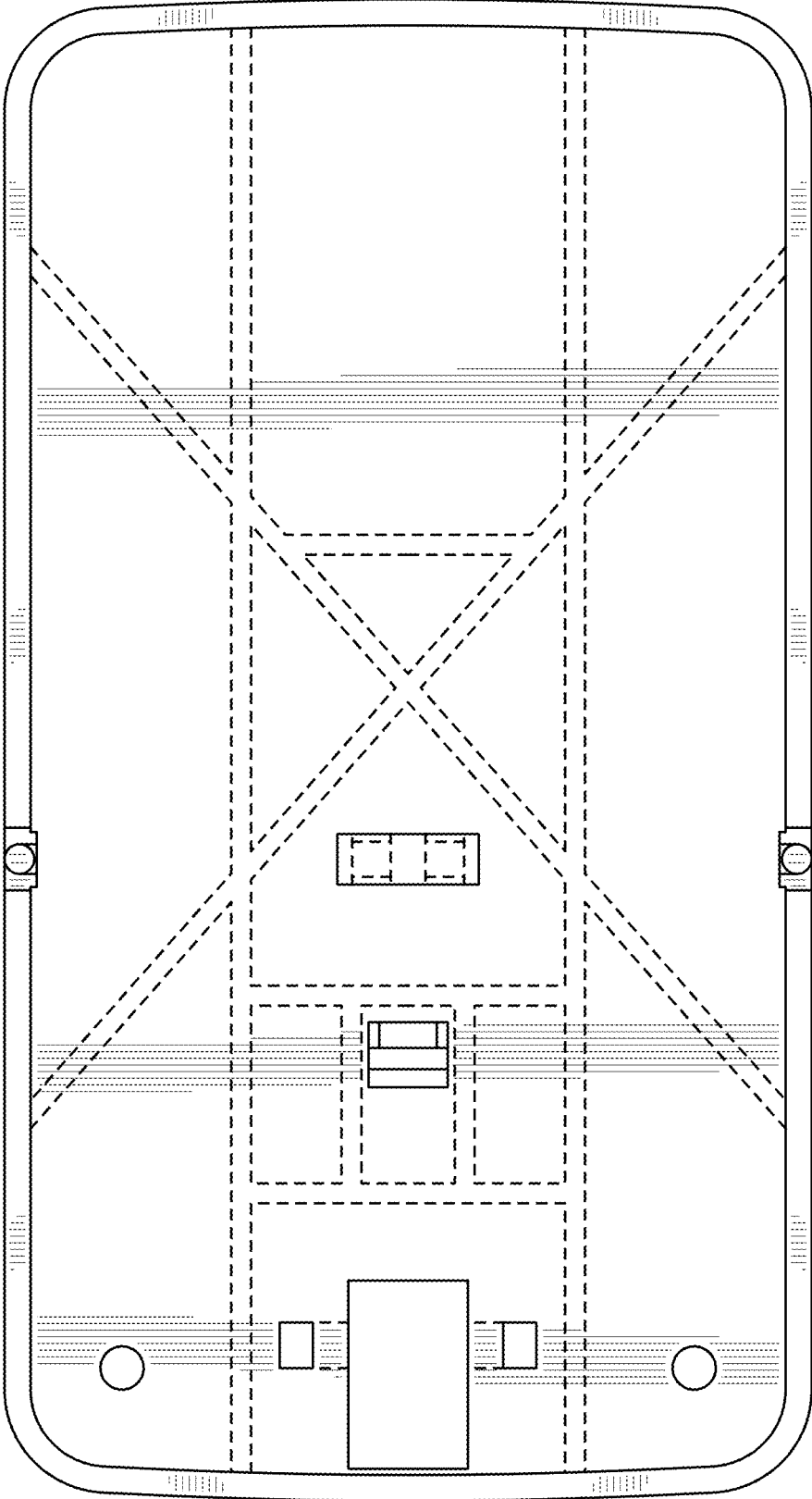


FIG. 3

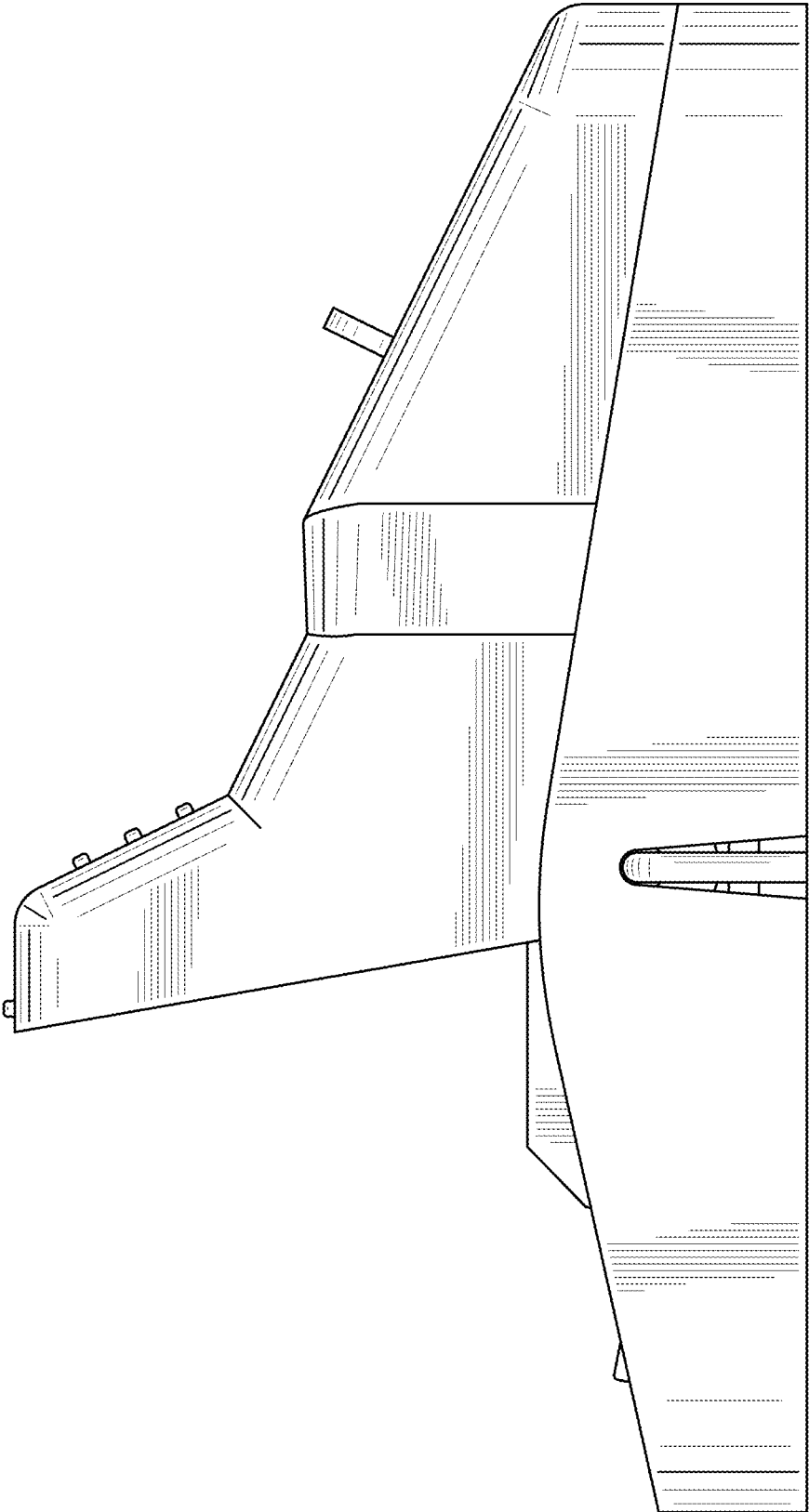


FIG. 4

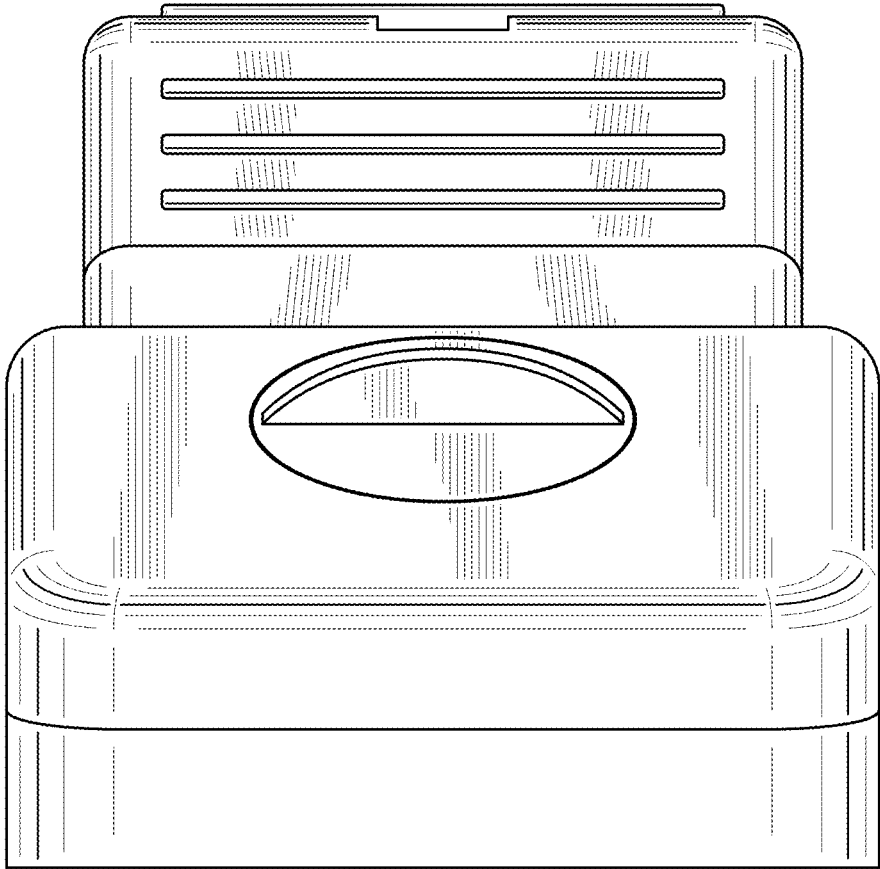


FIG. 5

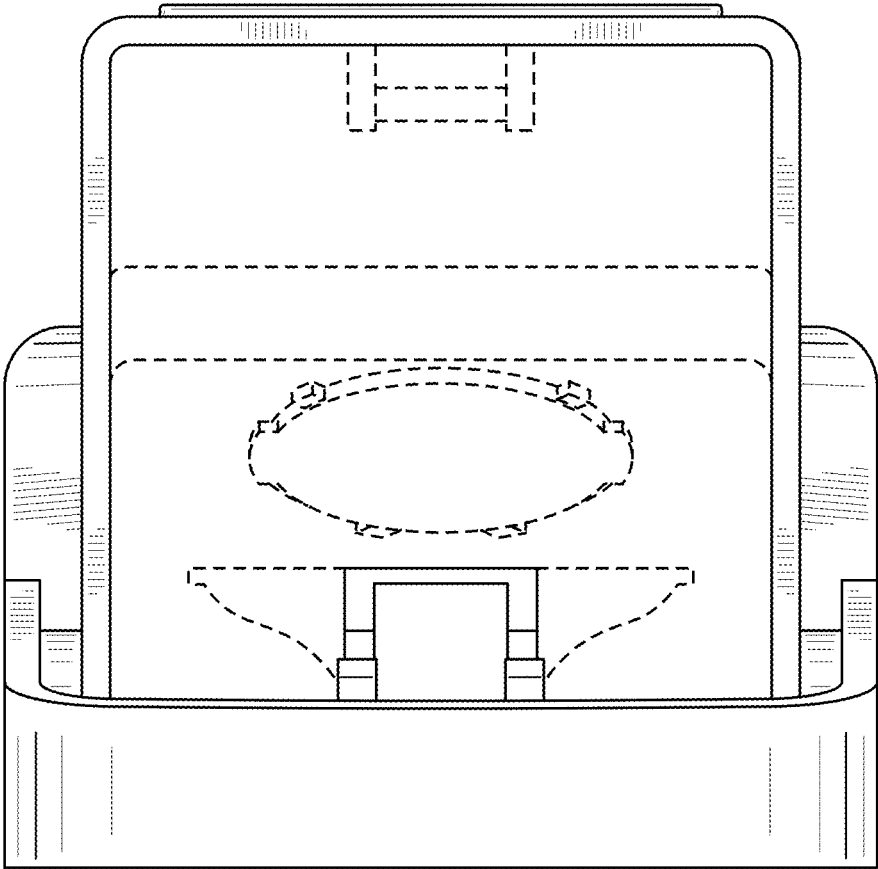


FIG. 6