



US00D930721S

(12) **United States Design Patent**
Kremerman

(10) **Patent No.:** **US D930,721 S**

(45) **Date of Patent:** **** Sep. 14, 2021**

- (54) **CIRCULAR SPINNER**
- (71) Applicant: **Elliot Kremerman**, Los Gatos, CA (US)
- (72) Inventor: **Elliot Kremerman**, Los Gatos, CA (US)
- (**) Term: **15 Years**
- (21) Appl. No.: **29/773,944**
- (22) Filed: **Mar. 12, 2021**

Related U.S. Application Data

- (63) Continuation-in-part of application No. 17/101,120, filed on Nov. 23, 2020, now Pat. No. 11,084,009.
- (51) **LOC (13) Cl.** **15-09**
- (52) **U.S. Cl.**
USPC **D15/138**
- (58) **Field of Classification Search**
USPC D13/183; D15/122, 138, 147, 199;
D24/216, 220
CPC B01L 9/00; B01F 13/08; B01F 15/065
See application file for complete search history.

(56) **References Cited**

U.S. PATENT DOCUMENTS

- 2,459,224 A * 1/1949 Hendricks A47J 43/0465
366/274
- 2,518,758 A * 8/1950 Cook B01F 13/0818
366/274
- 2,619,606 A * 11/1952 Morrison, Jr. H02K 49/00
310/103
- 2,842,654 A * 7/1958 Anderson B01L 7/00
219/433
- 2,951,689 A * 9/1960 Asp B01F 13/0818
416/3
- 3,028,476 A * 4/1962 Hug H02K 49/108
219/443.1

- 3,138,370 A * 6/1964 Anderson B01F 13/0818
366/274
- 3,140,079 A * 7/1964 Baermann A47J 43/0465
366/274
- 3,168,294 A * 2/1965 Tadashi B01F 13/0827
366/206
- 3,211,433 A * 10/1965 Chrostowski B01F 13/0818
366/274
- 3,384,353 A * 5/1968 Worth B01F 13/0818
366/274
- 3,433,465 A * 3/1969 Szpur B01F 13/0818
366/149
- 3,554,497 A * 1/1971 Zipperer B01F 13/0818
366/110
- 3,570,819 A * 3/1971 Rosinger B01F 15/00915
366/274
- 4,162,855 A * 7/1979 Bender A47J 43/0465
366/274
- 4,199,265 A * 4/1980 Sanderson B01F 13/0818
366/274

(Continued)

Primary Examiner — Patricia A Palasik
(74) *Attorney, Agent, or Firm* — Michael J. Feigin, Esq.;
Feigin and Fridman LLC

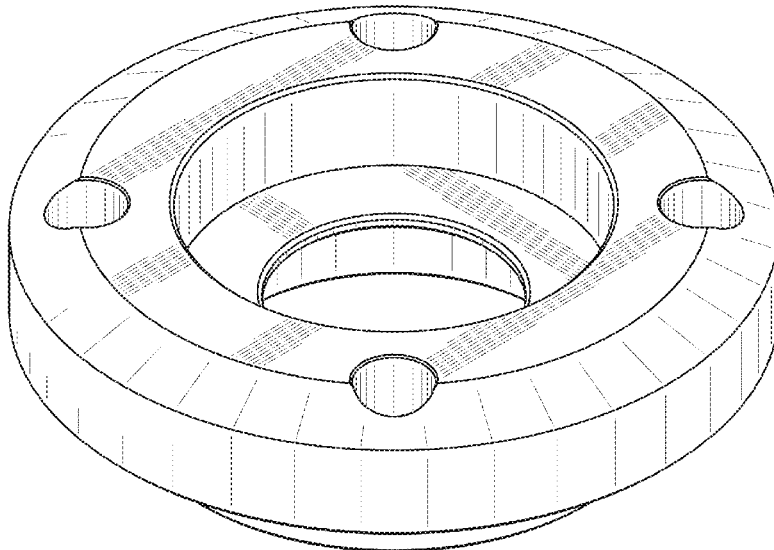
(57) **CLAIM**

The ornamental design for a circular spinner, as shown and described.

DESCRIPTION

FIG. 1 shows a top and side perspective view of a circular spinner.
FIG. 2 shows a reverse bottom and reverse side perspective view thereof.
FIG. 3 shows a side elevation view thereof.
FIG. 4 shows a reverse side elevation view thereof.
FIG. 5 shows a top plan view thereof.
FIG. 6 shows a bottom plan view thereof; and,
FIG. 7 shows a side cutaway view thereof cut along section line 7-7 of FIG. 5.

1 Claim, 5 Drawing Sheets



US D930,721 S

(56)

References Cited

U.S. PATENT DOCUMENTS

4,568,195	A *	2/1986	Herz	B01F 13/0818	6,905,656	B1 *	6/2005	Ladlow	B01F 13/0818
				366/274					366/273
4,759,635	A *	7/1988	MacMichael	B01F 13/0818	7,086,778	B2 *	8/2006	Terentiev	B01F 7/00908
				366/247					366/273
4,911,555	A *	3/1990	Saffer	B01F 13/0818	D558,888	S *	1/2008	Ware	D24/216
				366/274	D812,109	S	3/2018	Cross et al.	
4,948,409	A *	8/1990	Chenoweth	C03B 37/045	D821,863	S	7/2018	Blanco	
				425/8	D831,846	S *	10/2018	Fu	D24/232
4,993,841	A *	2/1991	Lofgren	B01F 13/0827	D874,916	S	2/2020	Wigboldy et al.	
				366/274	D881,998	S *	4/2020	Lam	D21/455
5,529,391	A *	6/1996	Kindman	B01F 13/0818	2008/0013400	A1 *	1/2008	Andrews	B01F 13/0818
				366/145					366/147
D426,312	S *	6/2000	Gomes	D24/220	2013/0114370	A1 *	5/2013	Ma	B01F 13/0818
6,416,215	B1 *	7/2002	Terentiev	F16C 32/0438	2015/0367302	A1 *	12/2015	Gebauer	B01F 13/089
				366/273					366/274
6,793,167	B2 *	9/2004	Karkos, Jr.	A23G 9/045	2019/0246724	A1 *	8/2019	Adams	A44B 1/04
				241/101.2	2021/0071671	A1 *	3/2021	Kremerman	H02K 49/104
					2021/0190074	A1 *	6/2021	Kremerman	F04D 13/0613

* cited by examiner

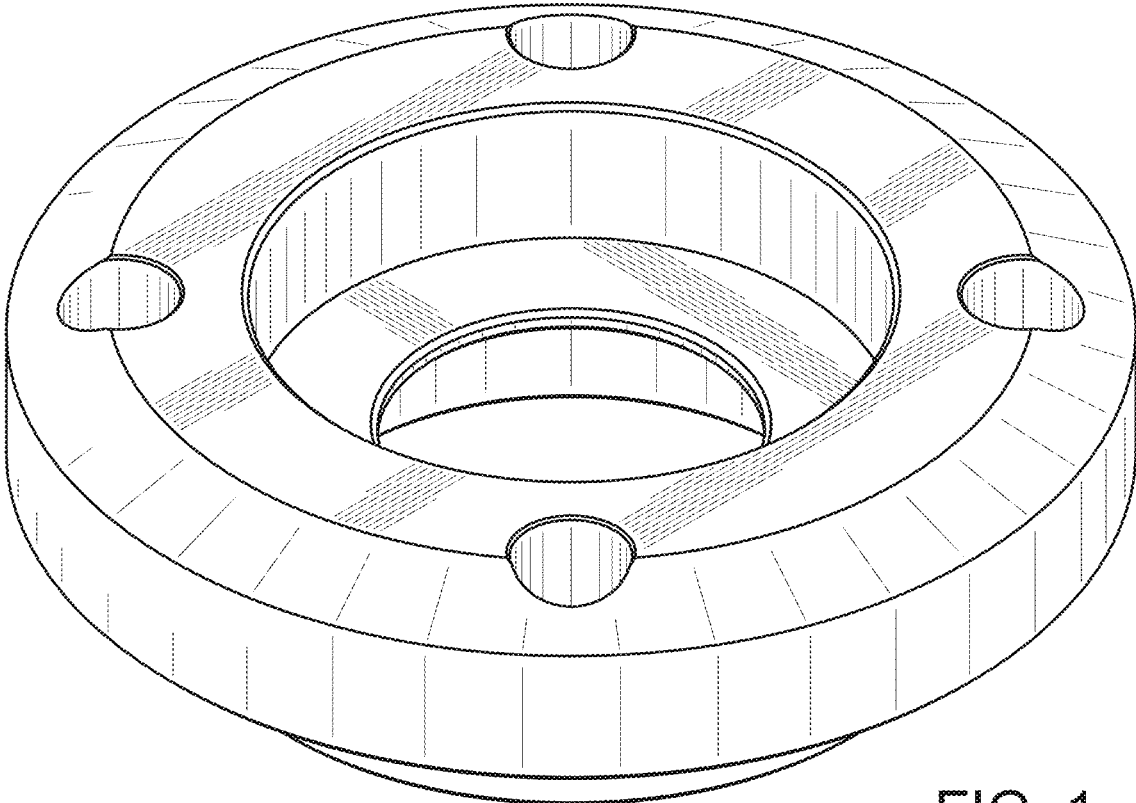


FIG. 1

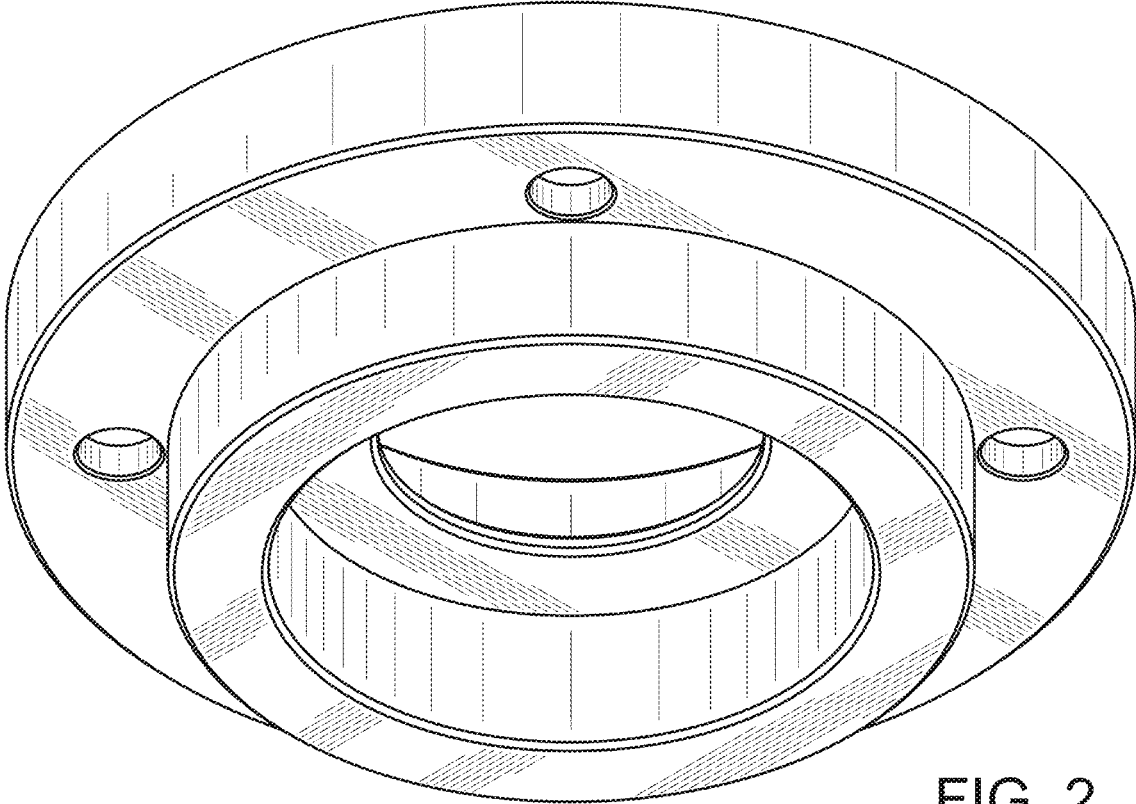


FIG. 2

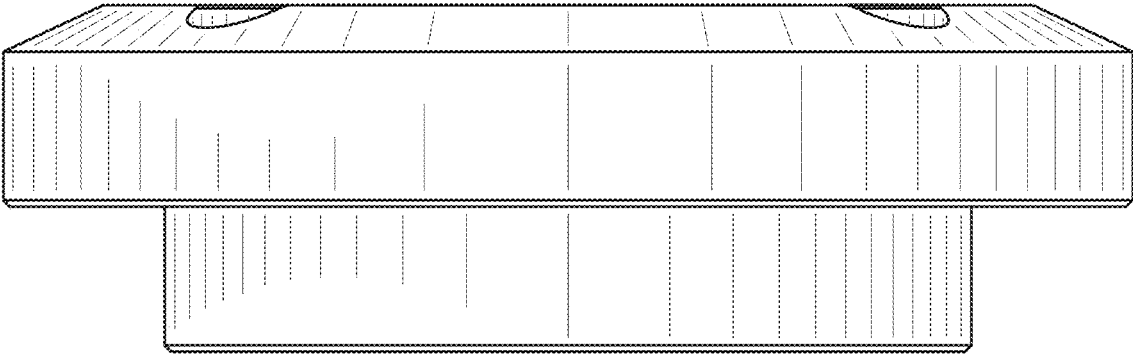


FIG. 3

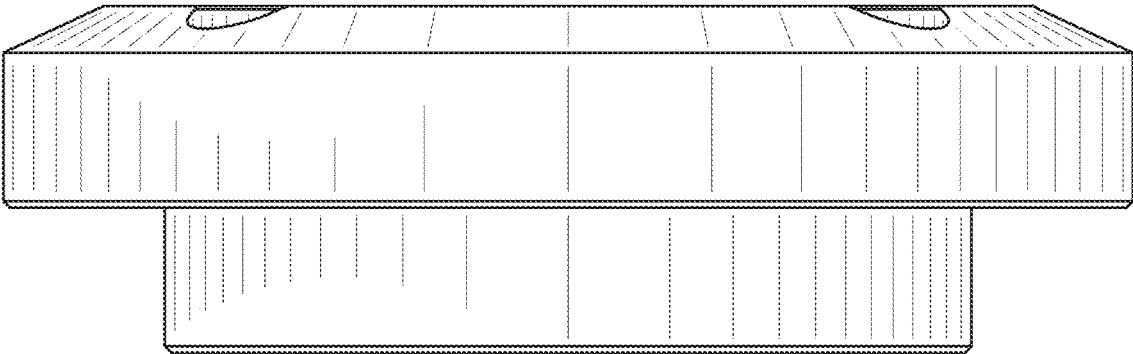


FIG. 4

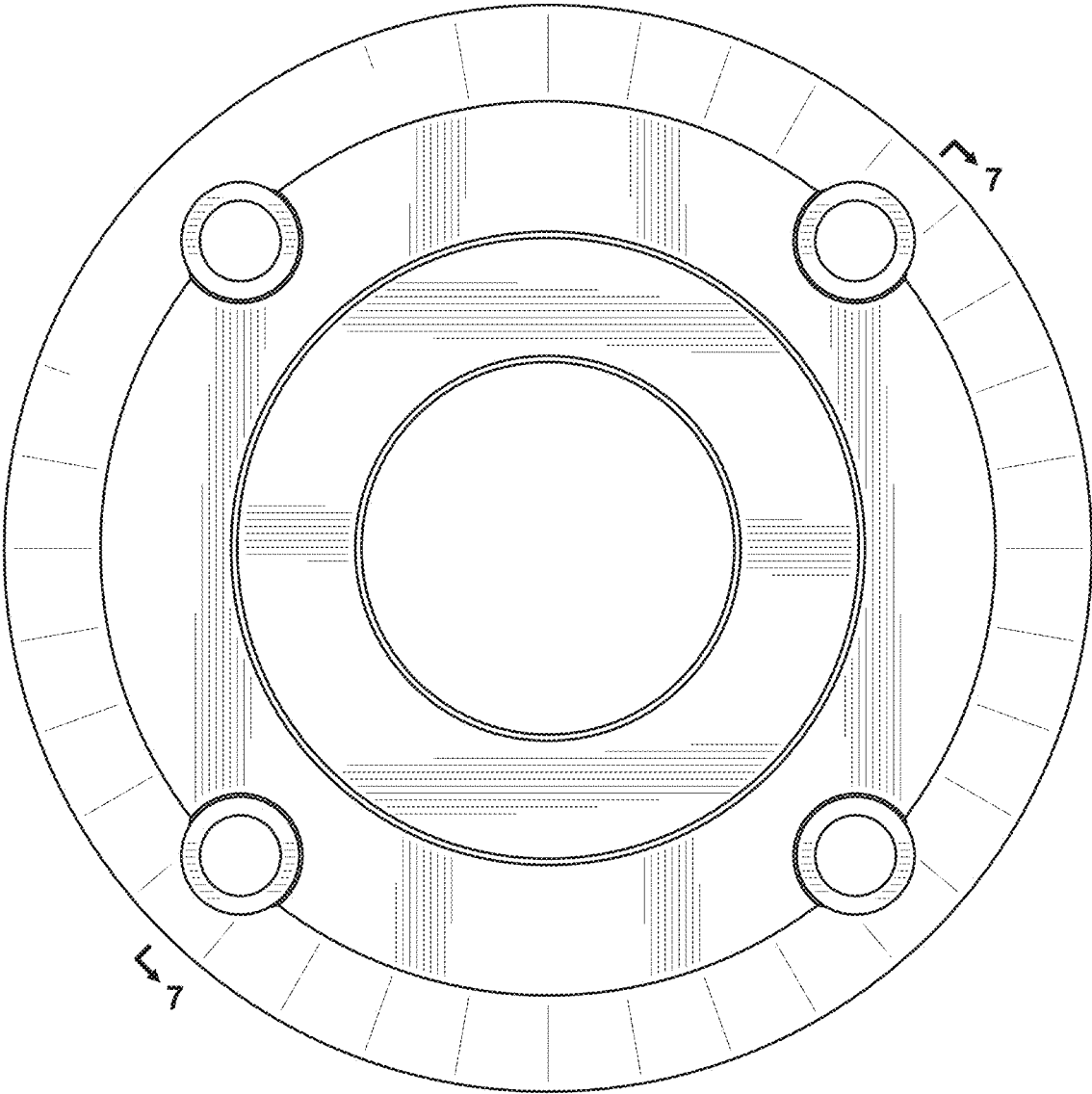


FIG. 5

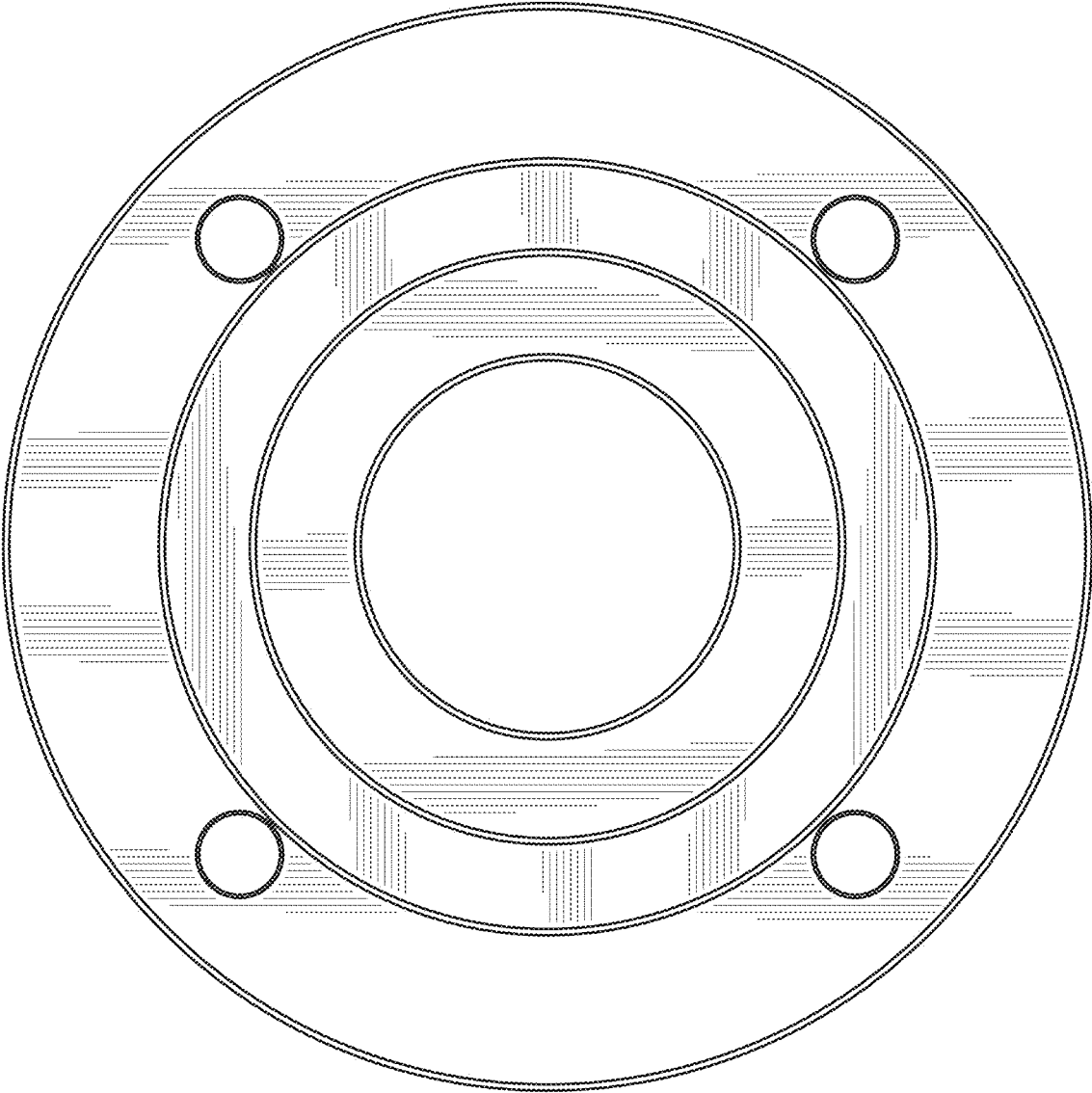


FIG. 6

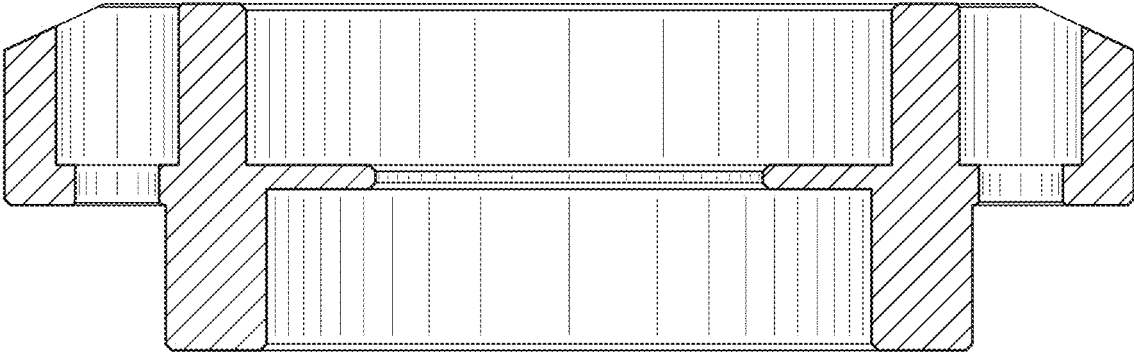


FIG. 7