



US00D934316S

(12) **United States Design Patent**
Kremerman

(10) **Patent No.:** **US D934,316 S**

(45) **Date of Patent:** **** Oct. 26, 2021**

(54) **SPINNER**

(71) Applicant: **Elliot Kremerman**, Los Gatos, CA (US)

(72) Inventor: **Elliot Kremerman**, Los Gatos, CA (US)

(**) Term: **15 Years**

(21) Appl. No.: **29/801,901**

(22) Filed: **Aug. 2, 2021**

(51) **LOC (13) Cl.** **15-09**

(52) **U.S. Cl.** **D15/138**
USPC

(58) **Field of Classification Search**
USPC D13/183; D15/122, 138, 147, 199; D24/216, 220

CPC B01D 3/085; B01F 9/0034; B01F 9/10; B01F 13/08; B01F 15/065; B01F 15/00175; B01F 15/06; B01F 2015/062; B01L 9/00; C10B 1/10

See application file for complete search history.

(56) **References Cited**

U.S. PATENT DOCUMENTS

2,459,224 A	1/1949	Hendricks	A47J 43/0465 366/274
2,518,758 A	8/1950	Cook	B01F 13/0818 366/274
2,619,606 A	11/1952	Morrison, Jr.	H02K 49/00 310/103
2,842,654 A	7/1958	Anderson	B01L 7/00 219/433
2,951,689 A	9/1960	Asp	B01F 13/0818 413/3
3,028,476 A	4/1962	Hug	H02K 49/108 219/443.1
3,138,370 A	6/1964	Anderson	B01F 13/0818 366/274

3,140,079 A	7/1964	Baermann	A47J 43/0465 366/274
3,168,294 A	2/1965	Tadashi	B01F 13/0827 366/206
3,206,173 A *	9/1965	Burger	B01F 7/00475 366/274
3,211,433 A	10/1965	Chrostowski	B01F 13/0818 366/274
3,384,353 A	5/1968	Worth	B01F 13/0818 366/274
3,433,465 A	3/1969	Szpur	B01F 13/0818 366/149
3,554,497 A	1/1971	Zipperer	B01F 13/0818 366/110
3,570,819 A	3/1971	Rosinger	B01F 15/00915 366/274

(Continued)

Primary Examiner — Patricia A Palasik

(74) *Attorney, Agent, or Firm* — Michael J. Feigin, Esq.; Feigin and Fridman LLC

(57) **CLAIM**

The ornamental design for a spinner, as shown and described.

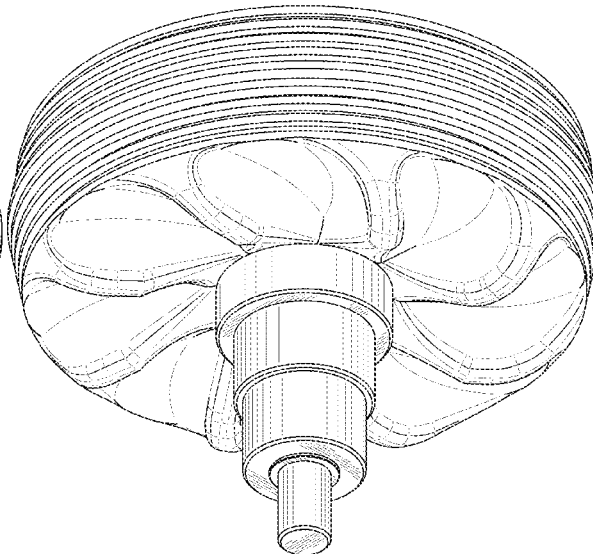
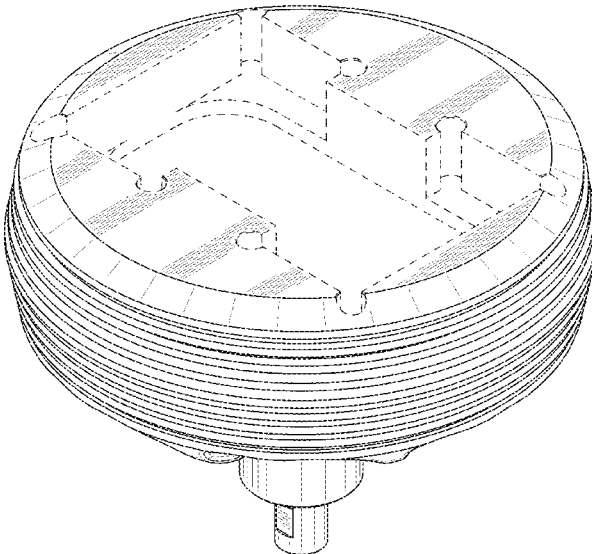
DESCRIPTION

FIG. 1 shows a top and side perspective view of a spinner. FIG. 2 shows a reverse bottom and side perspective view thereof.

FIG. 3 shows a first elevation view thereof. FIG. 4 shows a second elevation view thereof. FIG. 5 shows a third elevation view thereof. FIG. 6 shows a fourth elevation view thereof. FIG. 7 shows a top plan view thereof. FIG. 8 shows a bottom plan view thereof; and, FIG. 9 shows a sectional view cut along section line 9-9 of FIG. 7.

The broken lines represent portions of the spinner which form no part of the claimed design.

1 Claim, 9 Drawing Sheets



US D934,316 S

Page 2

(56)	References Cited	
	U.S. PATENT DOCUMENTS	
4,162,855 A	7/1979 Bender A47J 43/0465 366/274	6,793,167 B2 9/2004 Karkos, Jr. A23G 9/045 241/101.2
4,199,265 A	4/1980 Sanderson B01F 13/0818 366/274	6,905,656 B1 6/2005 Ladlow B01F 13/0818 366/273
4,568,195 A	2/1986 Herz B01F 13/0818 366/274	7,086,778 B2 8/2006 Terentiev B01F 7/00908 366/273
4,569,632 A	2/1986 Gray, III	D558,888 S 1/2008 Ware D24/216
4,702,888 A *	10/1987 Borgialli B01F 15/00396 366/307	7,575,498 B2 * 8/2009 Perry A63H 33/26 446/138
4,759,635 A	7/1988 MacMichael B01F 13/0818 366/247	D782,544 S 3/2017 Seto et al.
4,911,555 A	3/1990 Saffer B01F 13/0818 366/274	D831,846 S 10/2018 Fu D24/232
4,948,409 A	8/1990 Chenoweth C03B 37/045 425/8	D848,485 S 5/2019 Kurokawa et al.
4,971,520 A	11/1990 Van Houten	D881,998 S 4/2020 Lam D21/455
4,993,841 A	2/1991 Lofgren B01F 13/0827 366/274	2008/0013400 A1 1/2008 Andrews B01F 13/0818 366/147
5,359,846 A *	11/1994 Miyamoto D01H 4/40 57/417	2008/0067164 A1 * 3/2008 Kuo B23K 3/027 219/242
5,529,391 A	6/1996 Kindman B01F 13/0818 366/145	2013/0114370 A1 5/2013 Ma B01F 13/0818 366/272
6,039,469 A *	3/2000 Palmer B01F 7/042 366/301	2014/0376328 A1 * 12/2014 Ikushima B01F 13/08 366/191
D426,312 S	6/2000 Gomes D24/220	2015/0117138 A1 * 4/2015 Pozzan B28C 5/166 366/145
D446,295 S	8/2001 Williams et al.	2015/0367302 A1 12/2015 Gebauer B01F 13/089 366/274
6,416,215 B1	7/2002 Terentiev F16C 32/0438 366/273	2019/0134583 A1 * 5/2019 Lautenschlager ... B01F 13/0818
		2019/0246724 A1 8/2019 Adams A44B 1/04
		2021/0071671 A1 3/2021 Kremerman H02K 49/104
		2021/0190074 A1 6/2021 Kremerman F04D 13/0613

* cited by examiner

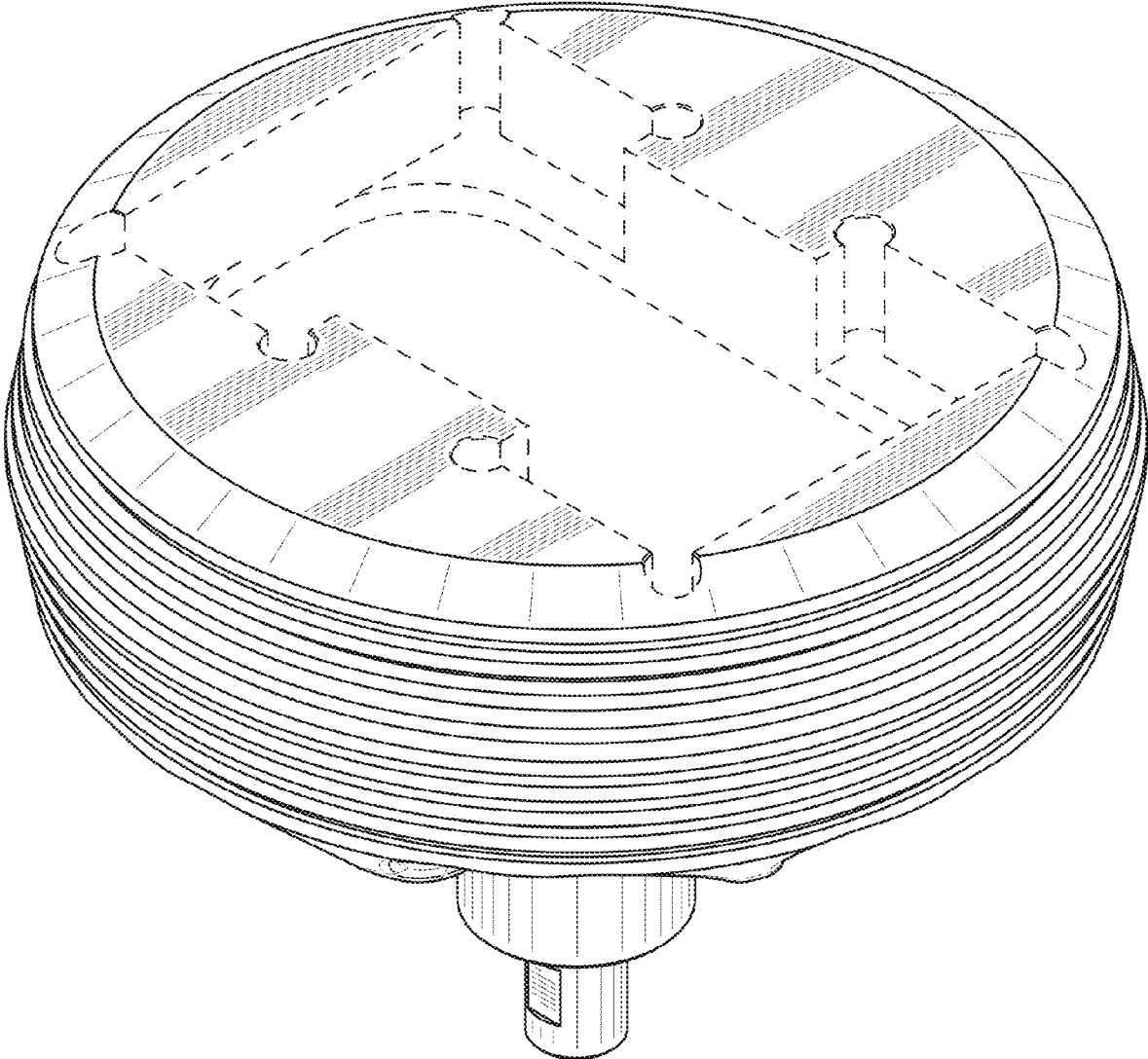


FIG. 1

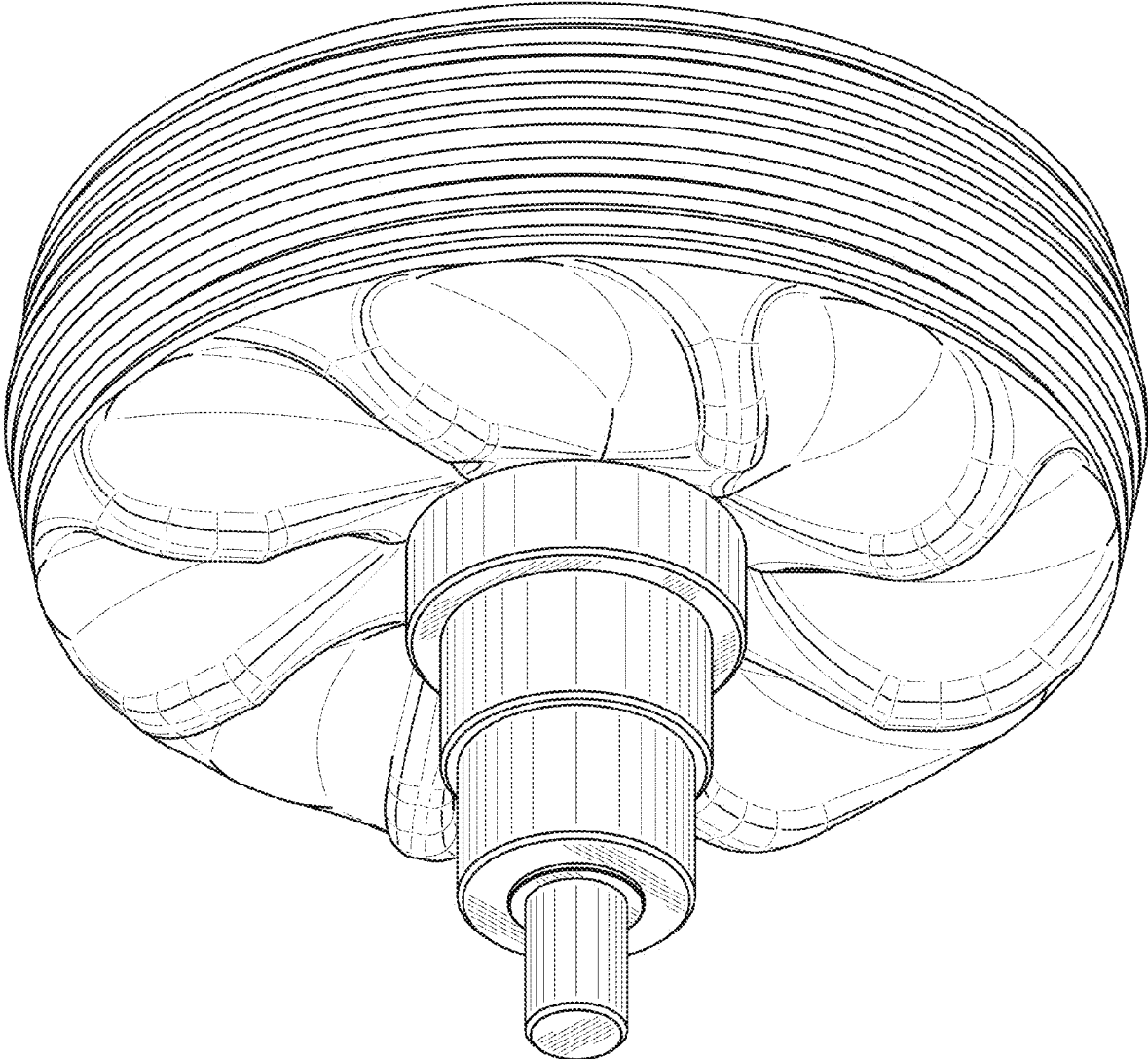


FIG. 2

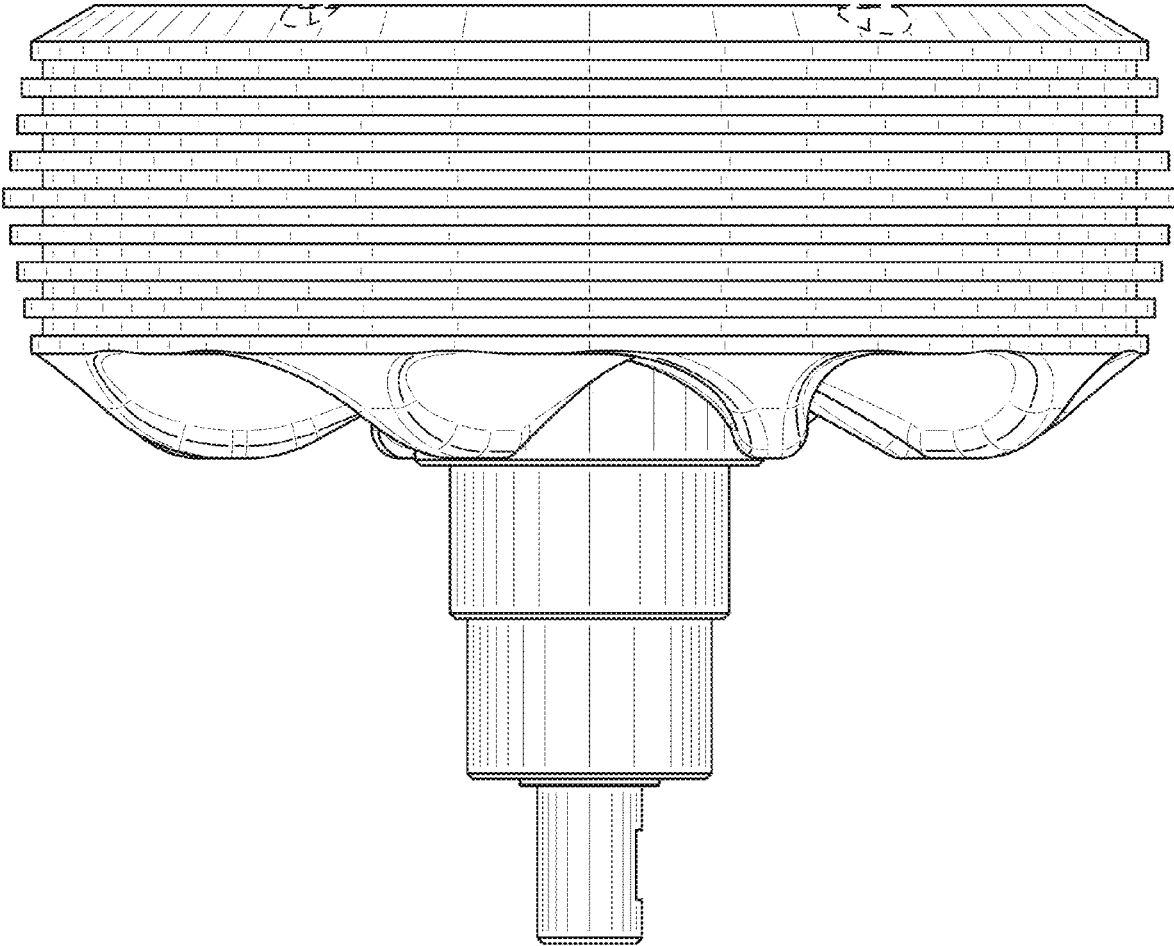


FIG. 3

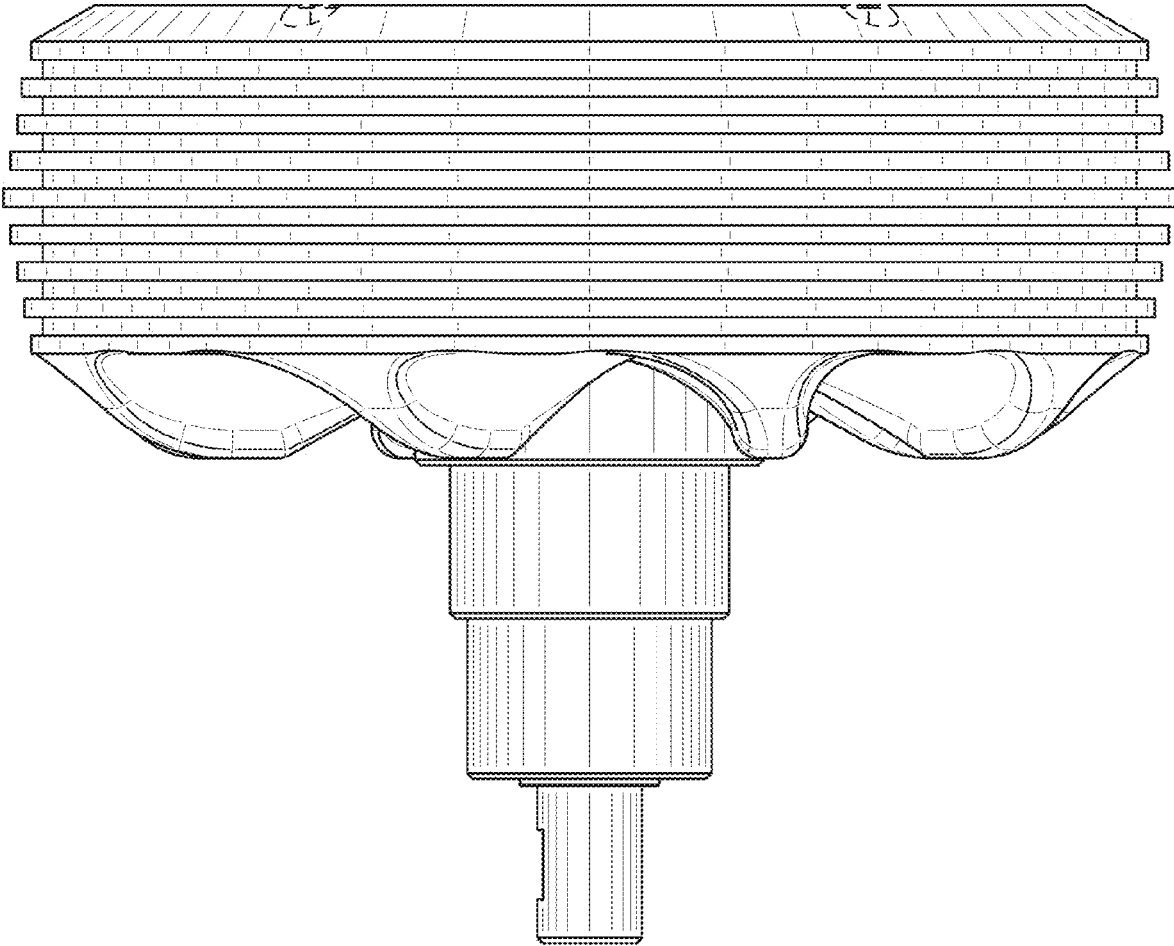


FIG. 4

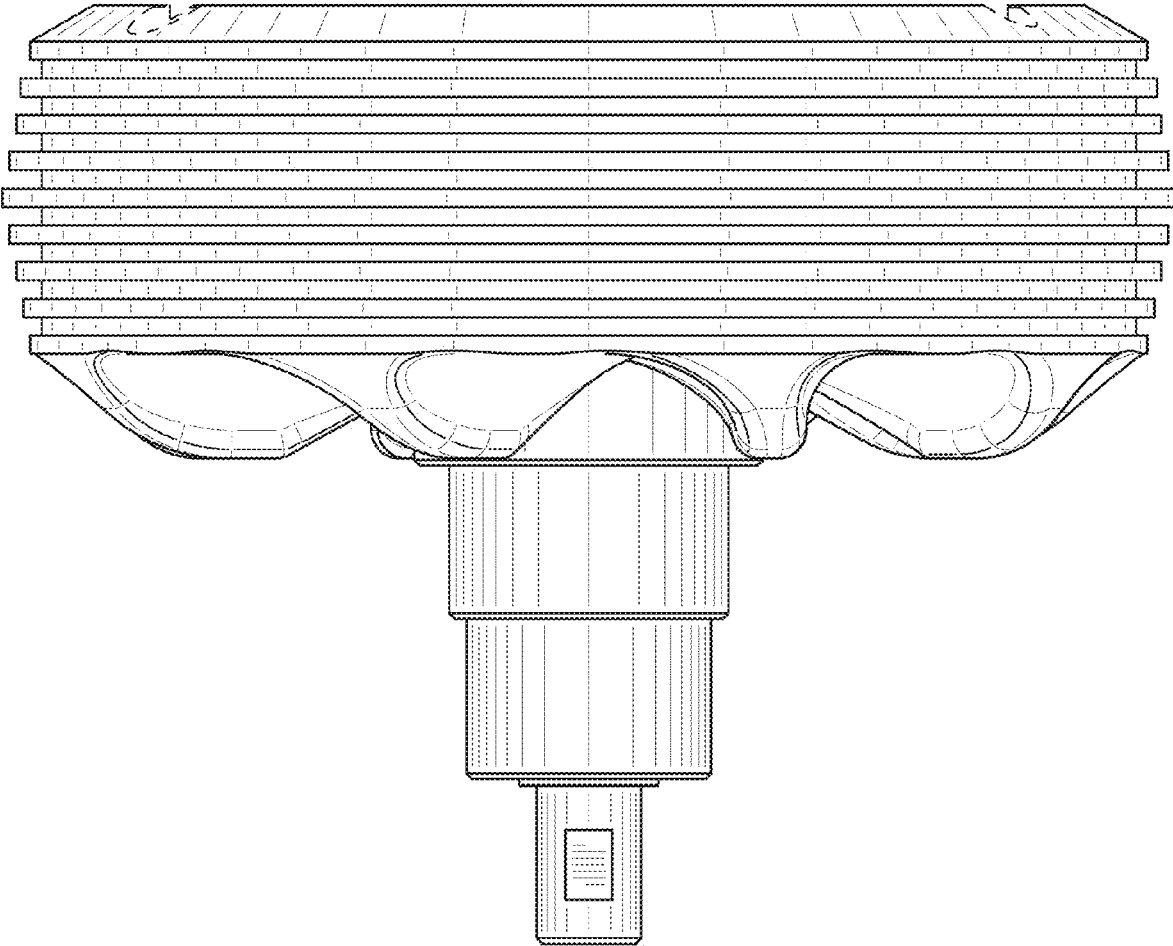


FIG. 5

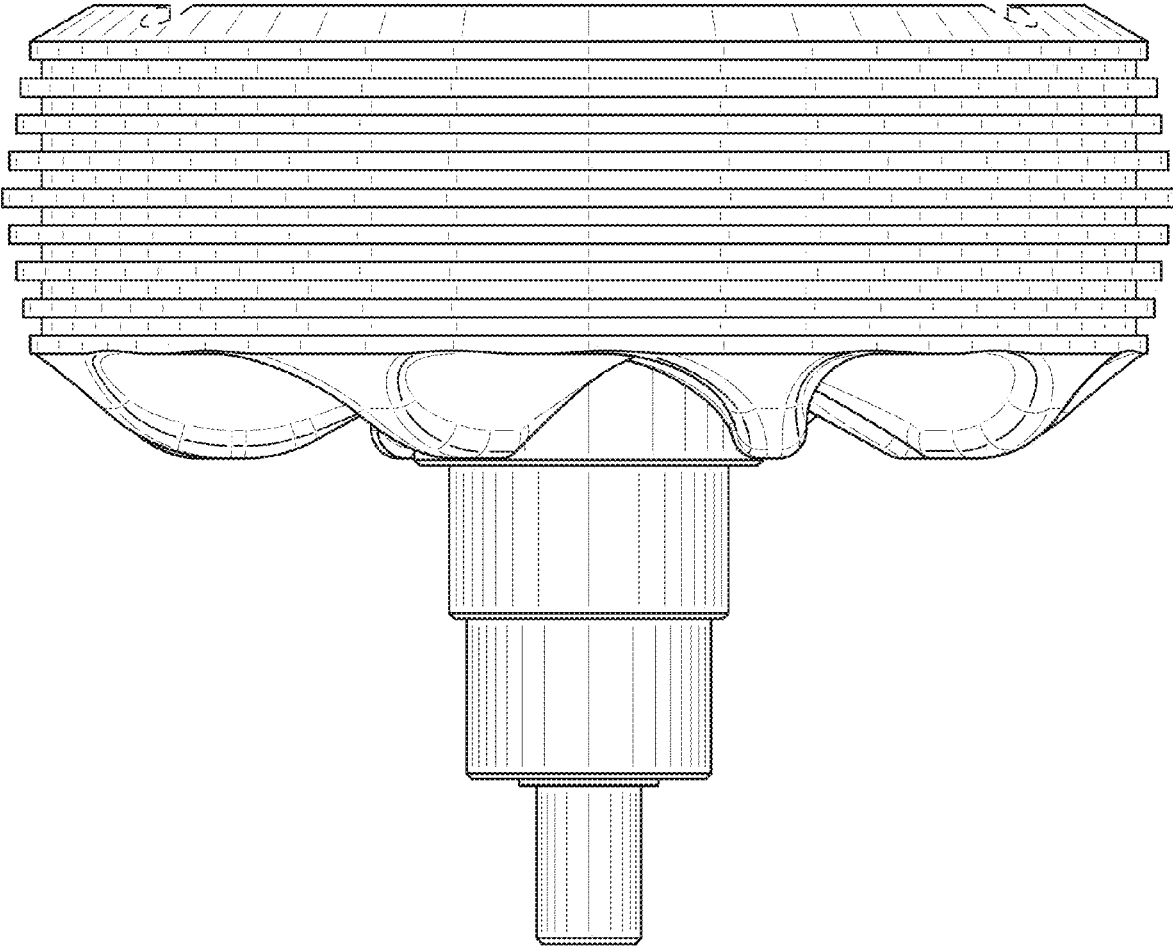


FIG. 6

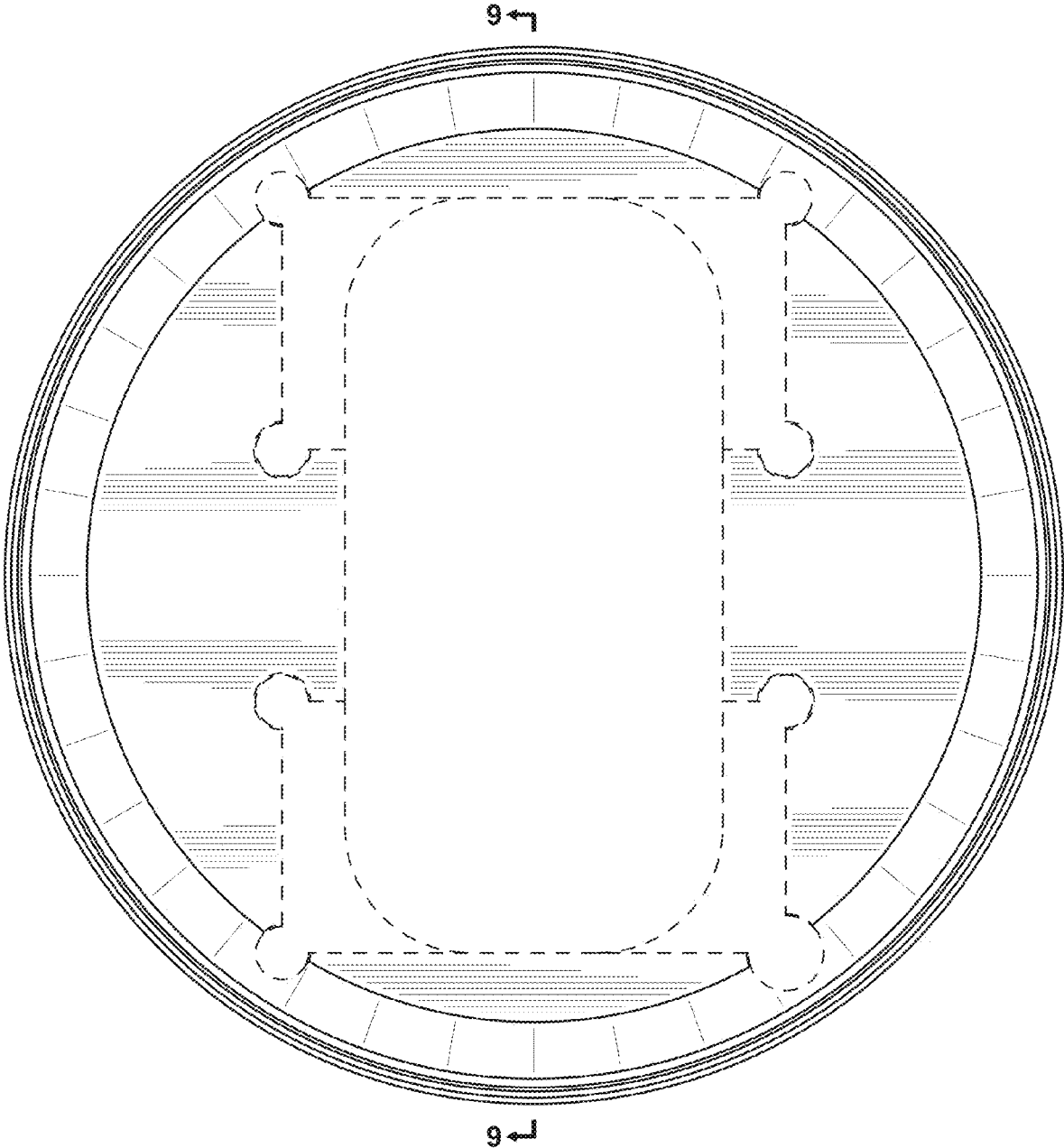


FIG. 7

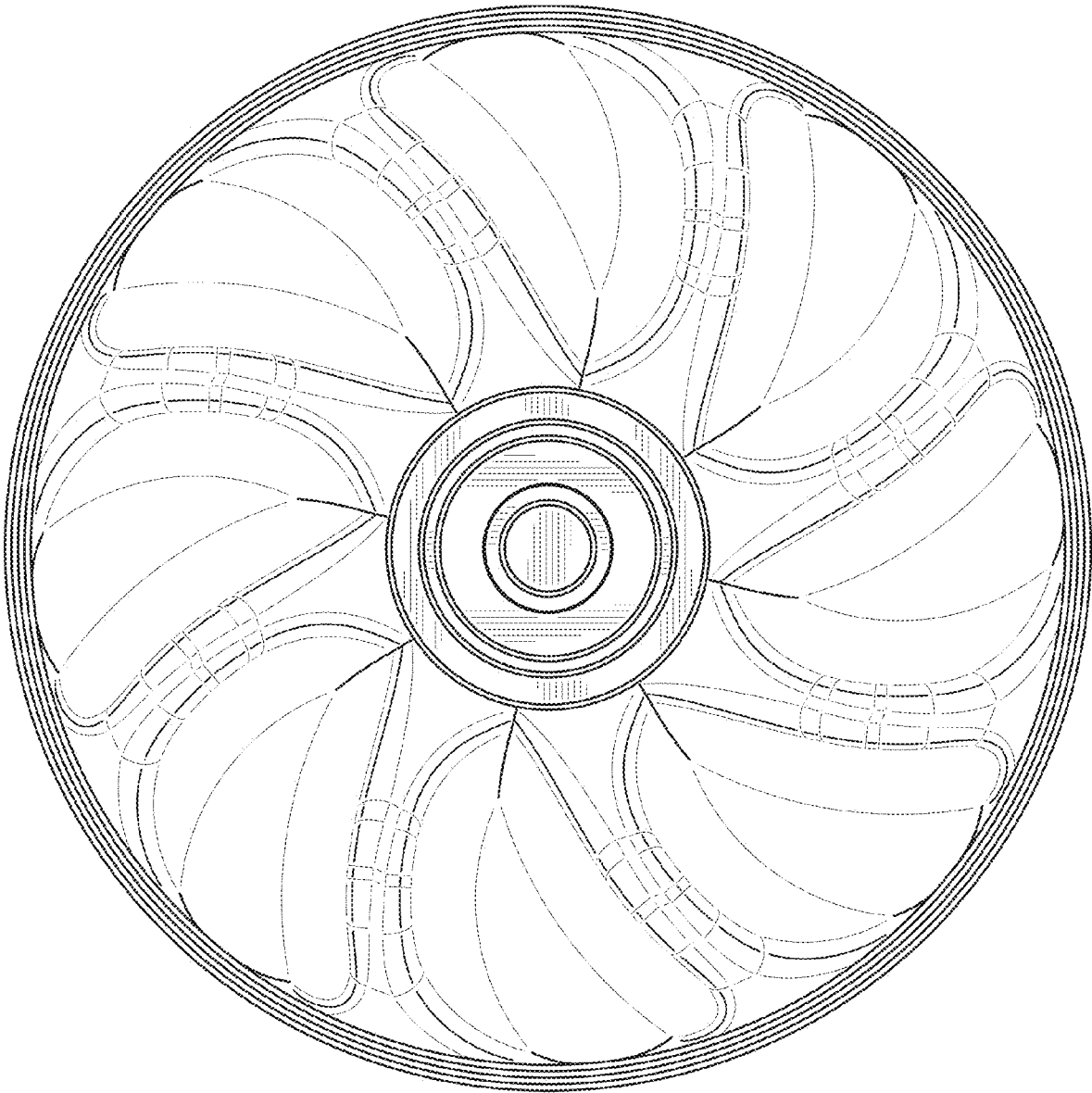


FIG. 8

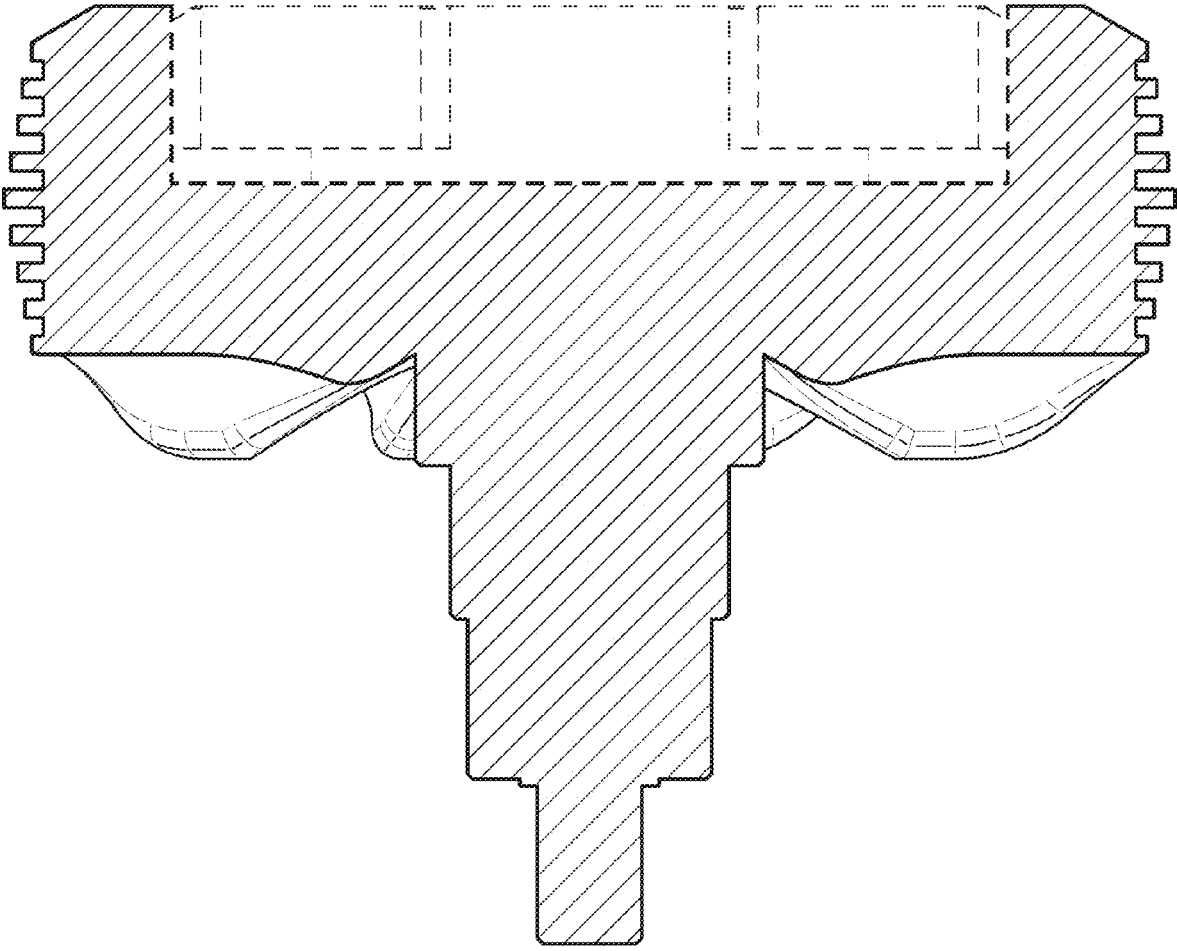


FIG. 9