



US00D935497S

(12) **United States Design Patent**  
**Kremerman**

(10) **Patent No.:** **US D935,497 S**

(45) **Date of Patent:** **\*\* Nov. 9, 2021**

- (54) **SPINNER**
- (71) Applicant: **Elliot Kremerman**, Los Gatos, CA (US)
- (72) Inventor: **Elliot Kremerman**, Los Gatos, CA (US)
- (\*\*) Term: **15 Years**
- (21) Appl. No.: **29/801,899**
- (22) Filed: **Aug. 2, 2021**
- (51) **LOC (13) Cl.** ..... **15-09**
- (52) **U.S. Cl.** ..... **D15/138**  
USPC ..... **D15/138**
- (58) **Field of Classification Search**  
USPC ..... D13/183; D15/122, 138, 147, 199; D24/216, 220  
CPC ..... B01D 3/085; B01F 9/0034; B01F 9/10; B01F 13/08; B01F 15/065; B01F 15/00175; B01F 15/06; B01F 2015/062; B01L 9/00; C10B 1/10  
See application file for complete search history.

- 3,140,079 A 7/1964 Baermann ..... A47J 43/0465 366/274
- 3,168,294 A 2/1965 Tadashi ..... B01F 13/0827 366/206
- 3,206,173 A \* 9/1965 Burger ..... B01F 7/00475 366/274
- 3,211,433 A 10/1965 Chrostowski ..... B01F 13/0818 366/274
- 3,384,353 A 5/1968 Worth ..... B01F 13/0818 366/274
- 3,433,465 A 3/1969 Szpur ..... B01F 13/0818 366/149
- 3,554,497 A 1/1971 Zipperer ..... B01F 13/0818 366/110
- 3,570,819 A 3/1971 Rosinger ..... B01F 15/00915 366/274
- 4,162,855 A 7/1979 Bender ..... A47J 43/0465 366/274

(Continued)

*Primary Examiner* — Patricia A Palasik  
(74) *Attorney, Agent, or Firm* — Michael J. Feigin, Esq.; Feigin and Fridman LLC

(57) **CLAIM**

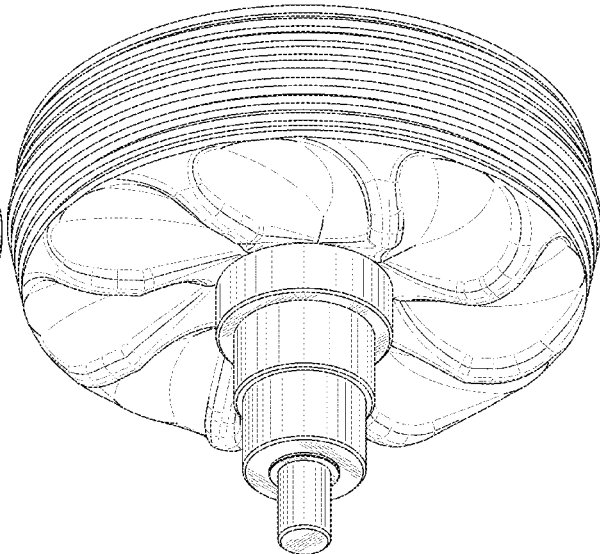
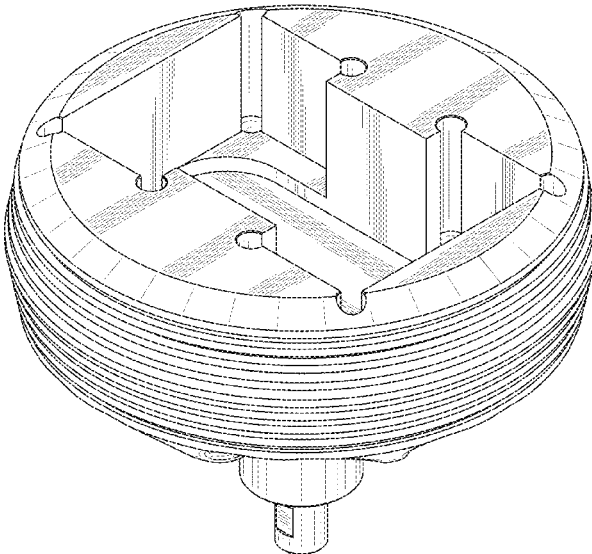
The ornamental design for a spinner, as shown and described.

**DESCRIPTION**

FIG. 1 shows a top and side perspective view of a spinner. FIG. 2 shows a reverse bottom and side perspective view thereof. FIG. 3 shows a first elevation view thereof. FIG. 4 shows a second elevation view thereof. FIG. 5 shows a third elevation view thereof. FIG. 6 shows a fourth elevation view thereof. FIG. 7 shows a top plan view thereof. FIG. 8 shows a bottom plan view thereof; and, FIG. 9 sectional view cut along section line 9-9 of FIG. 7.

**1 Claim, 9 Drawing Sheets**

- (56) **References Cited**  
U.S. PATENT DOCUMENTS
- 2,459,224 A 1/1949 Hendricks ..... A47J 43/0465 366/274
- 2,518,758 A 8/1950 Cook ..... B01F 13/0818 366/274
- 2,619,606 A 11/1952 Morrison, Jr. .... H02K 49/00 310/103
- 2,842,654 A 7/1958 Anderson ..... B01L 7/00 219/433
- 2,951,689 A 9/1960 Asp ..... B01F 13/0818 416/3
- 3,028,476 A 4/1962 Hug ..... H02K 49/108 219/443.1
- 3,138,370 A 6/1964 Anderson ..... B01F 13/0818 366/274



(56)

References Cited

U.S. PATENT DOCUMENTS

4,199,265 A	4/1980	Sanderson	.....	B01F	13/0818	6,793,167 B2	9/2004	Karkos, Jr.	.....	A23G	9/048
					366/274						241/101.2
4,568,195 A	2/1986	Herz	.....	B01F	13/0818	6,905,656 B1	6/2005	Ladlow	.....	B01F	13/0818
					366/274						366/273
4,569,632 A	2/1986	Gray, III				7,086,778 B2	8/2006	Terentiev	.....	B01F	7/00908
4,702,888 A *	10/1987	Borgialli	.....	B01F	15/00396	D558,888 S	1/2008	Ware	.....	D24	216
					366/307	7,575,498 B2 *	8/2009	Perry	.....	A63H	33/26
4,759,635 A	7/1988	MacMichael	.....	B01F	13/0818						446/138
					366/247	D782,544 S	3/2017	Seto et al.			
4,911,555 A	3/1990	Saffer	.....	B01F	13/0818	D831,846 S	10/2018	Fu	.....	D24	232
					366/274	D848,485 S	5/2019	Kurokawa et al.			
4,948,409 A	8/1990	Chenoweth	.....	C03B	37/045	D881,998 S	4/2020	Lam	.....	D21	455
					425/8	2008/0013400 A1	1/2008	Andrews	.....	B01F	13/0818
4,971,520 A	11/1990	Van Houten									366/147
4,993,841 A	2/1991	Lofgren	.....	B01F	13/0827	2008/0067164 A1 *	3/2008	Kuo	.....	B23K	3/027
					366/274						219/242
5,359,846 A *	11/1994	Miyamoto	.....	D01H	4/40	2013/0114370 A1	5/2013	Ma	.....	B01F	13/0818
					57/417						366/272
5,529,391 A	6/1996	Kindman	.....	B01F	13/0818	2014/0376328 A1 *	12/2014	Ikushima	.....	B01F	13/08
					366/145						366/191
6,039,469 A *	3/2000	Palmer	.....	B01F	7/042	2015/0117138 A1 *	4/2015	Pozzan	.....	B28C	5/166
					366/301						366/145
D426,312 S	6/2000	Gomes	.....	D24	220	2015/0367302 A1	12/2015	Gebauer	.....	B01F	13/089
D446,295 S	8/2001	Williams et al.									366/274
6,416,215 B1	7/2002	Terentiev	.....	F16C	32/0438	2019/0134583 A1 *	5/2019	Lautenschlager ...	.....	B01F	13/0818
					366/273	2019/0246724 A1	8/2019	Adams	.....	A44B	1/04
						2021/0071671 A1	3/2021	Kremerman	.....	H02K	49/104
						2021/0190074 A1	6/2021	Kremerman	.....	F04D	13/0613

\* cited by examiner

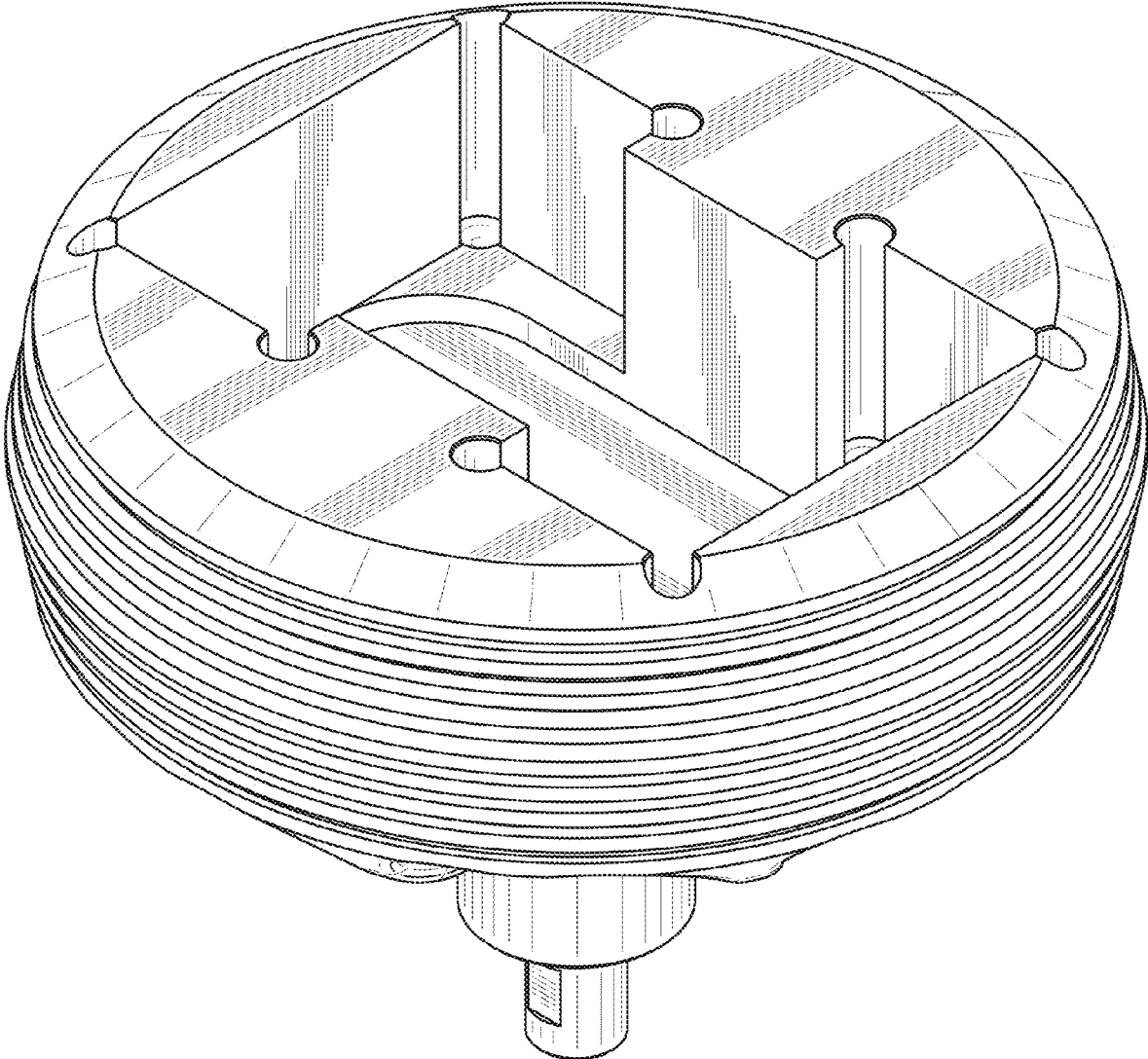


FIG. 1

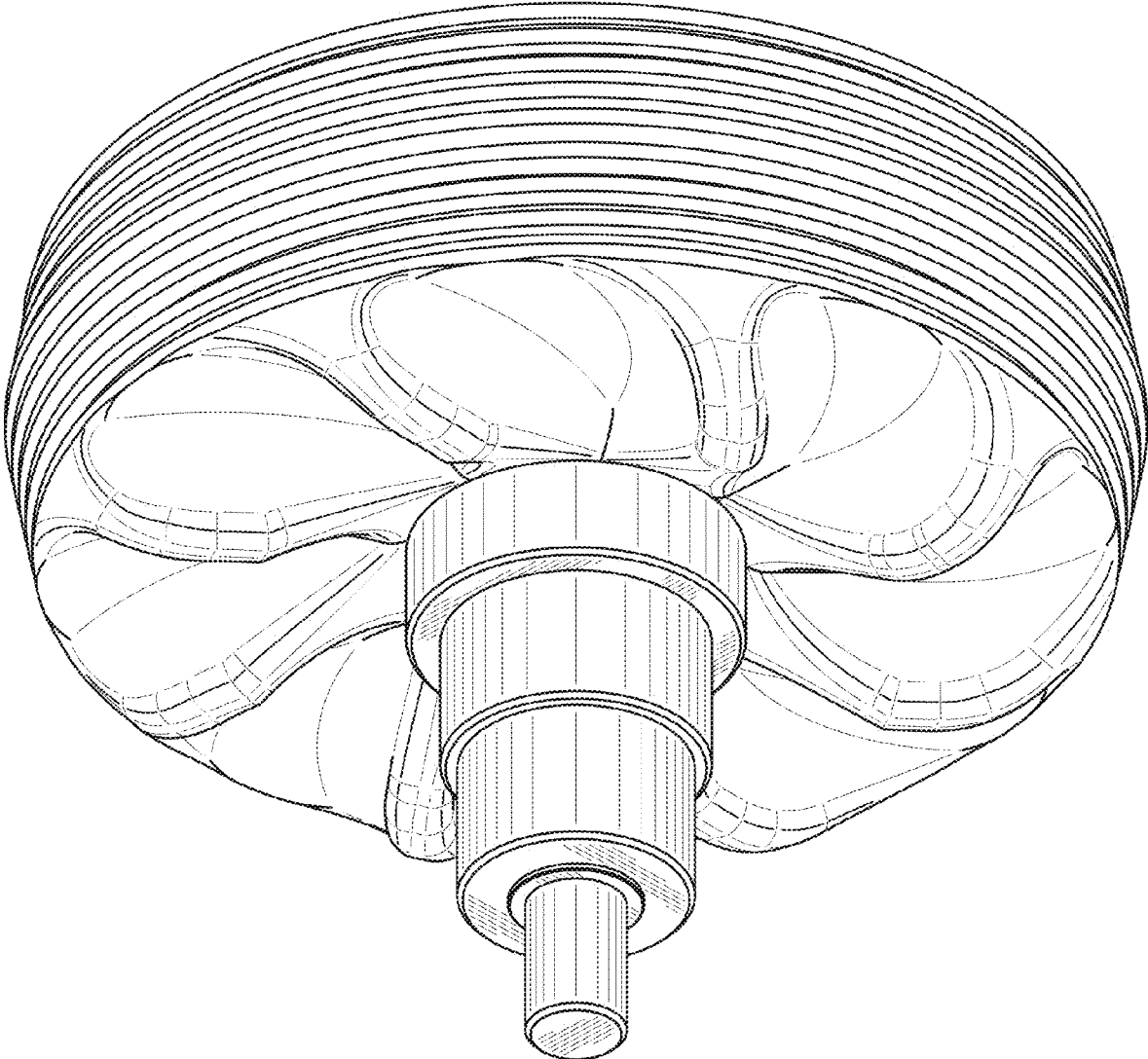


FIG. 2

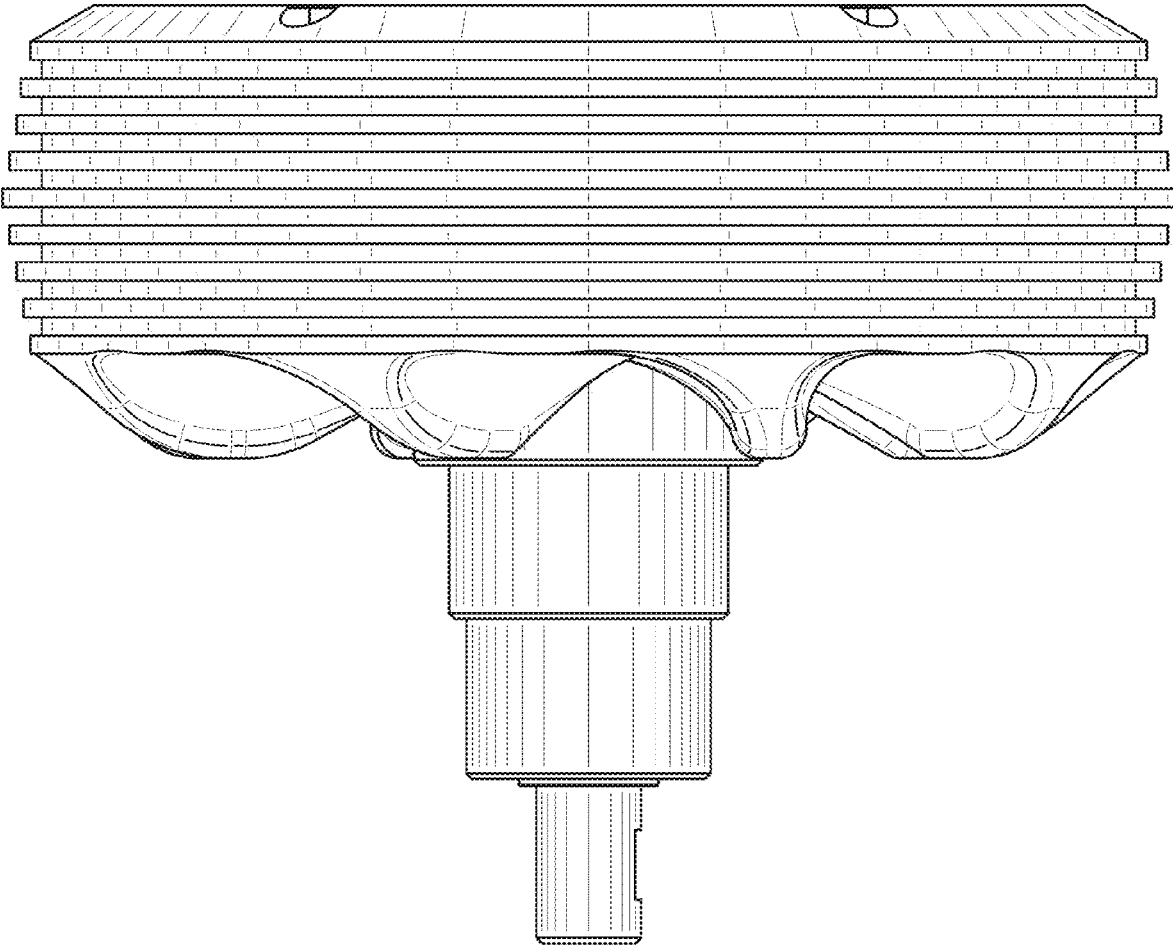


FIG. 3

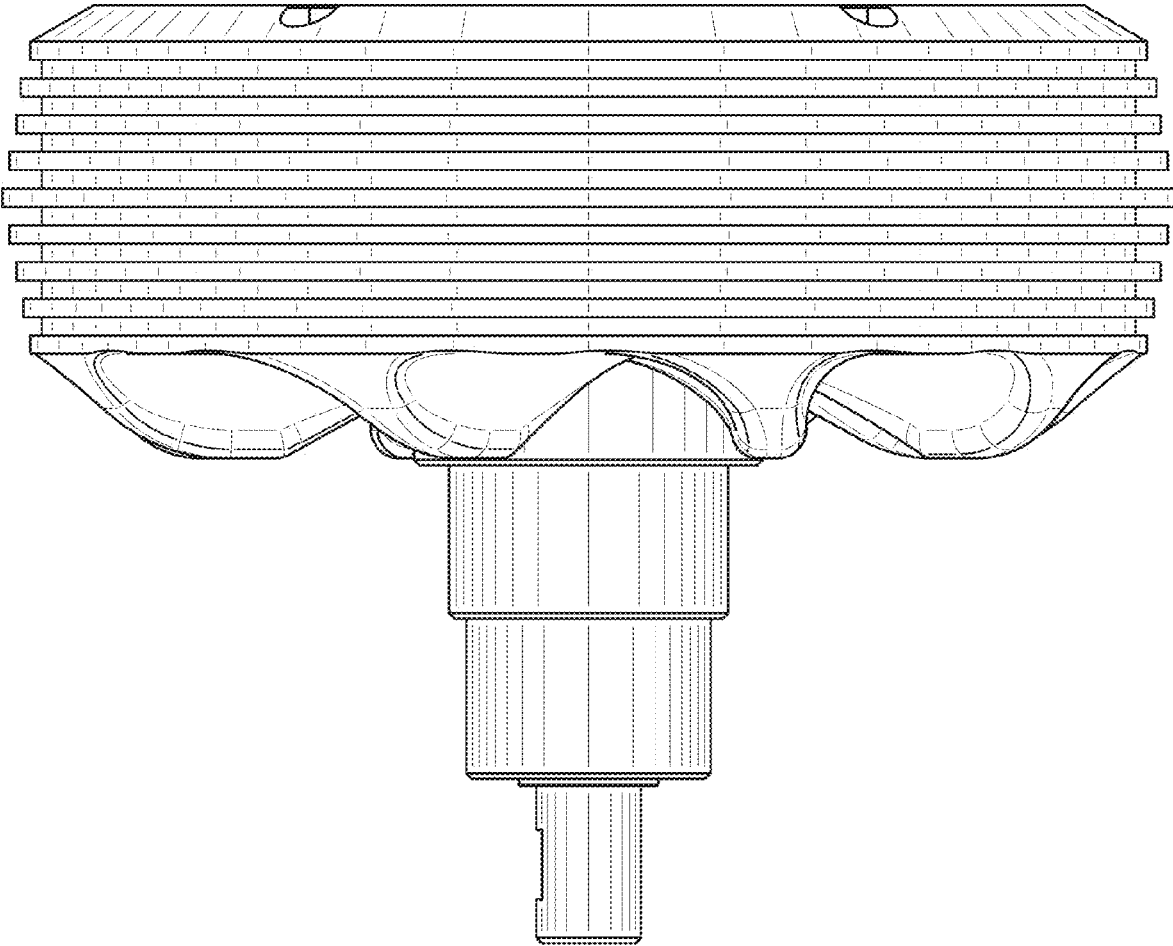


FIG. 4

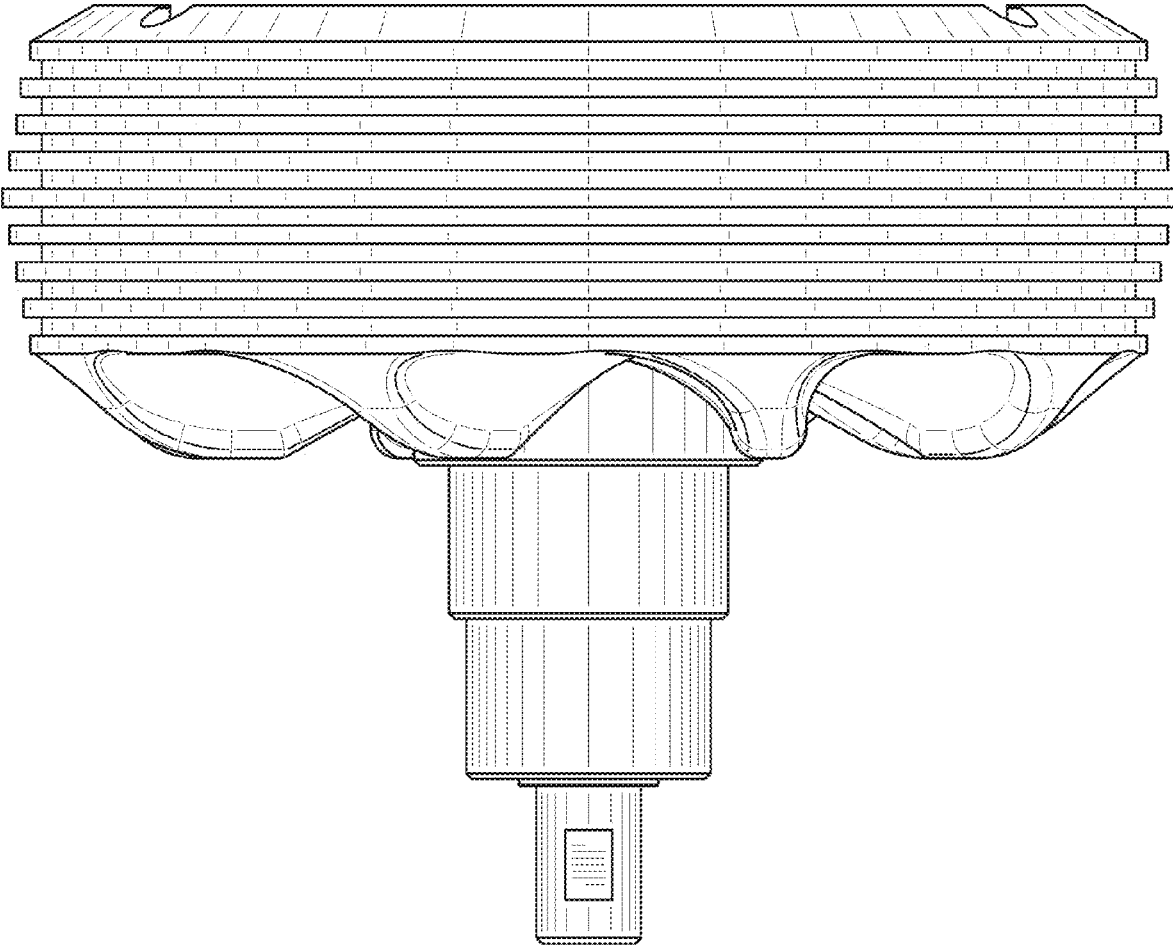


FIG. 5

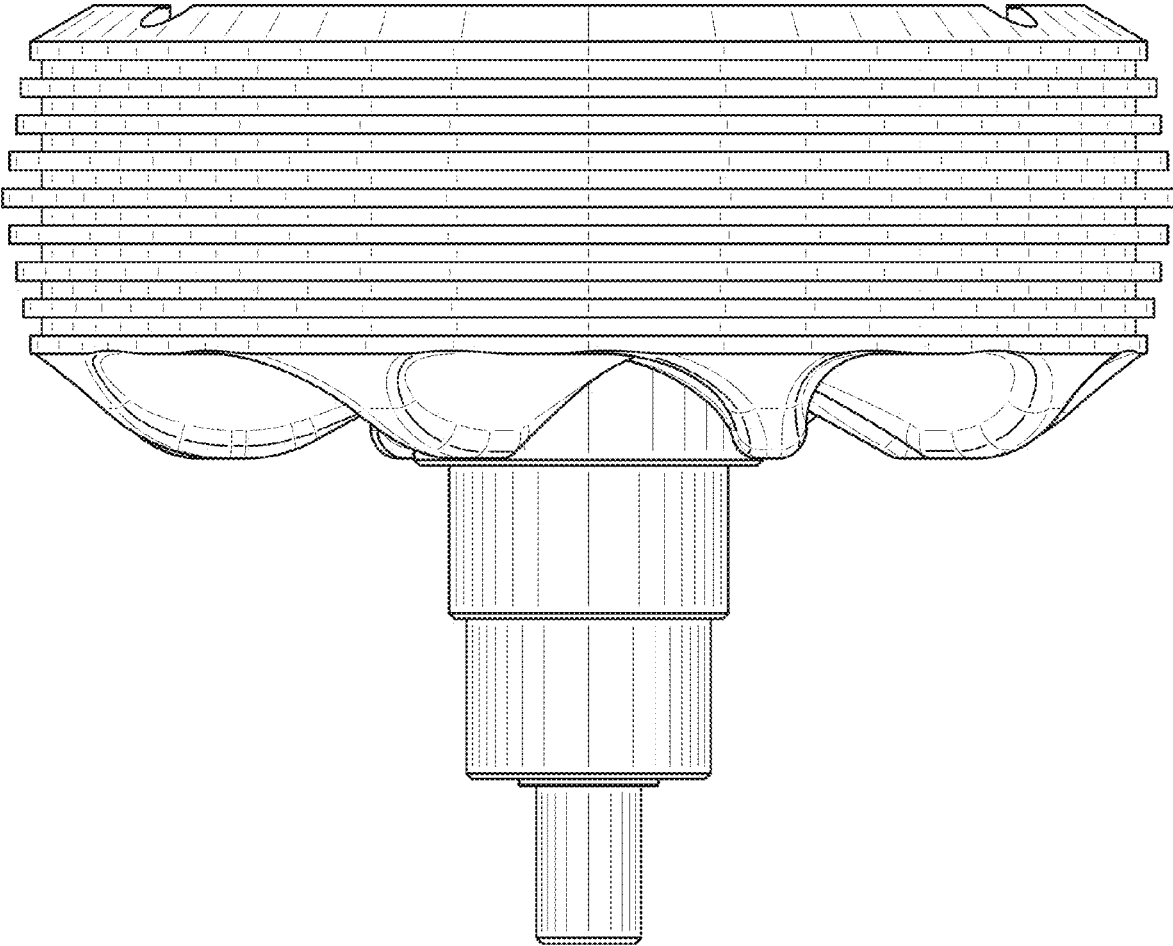


FIG. 6



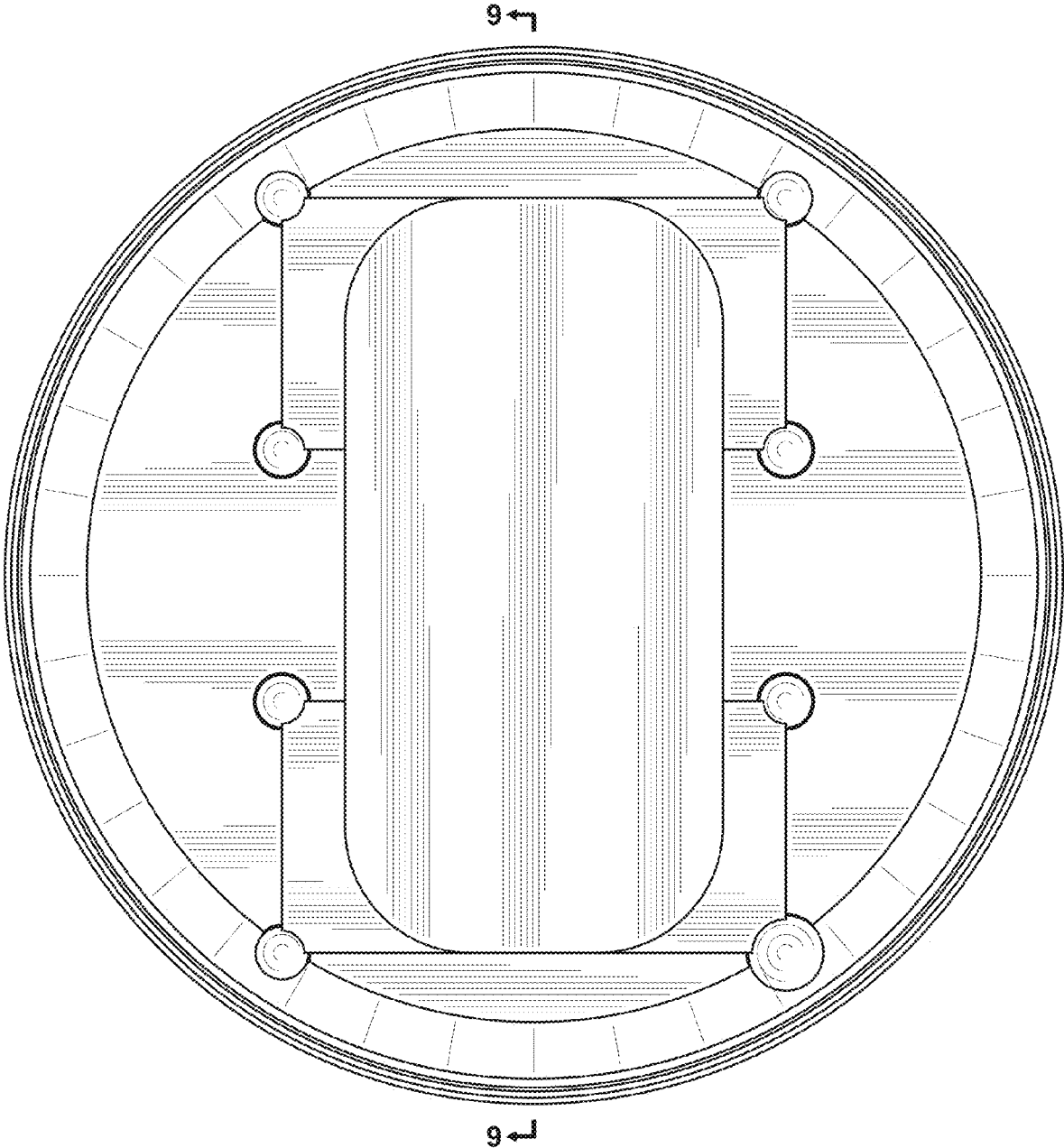


FIG. 7

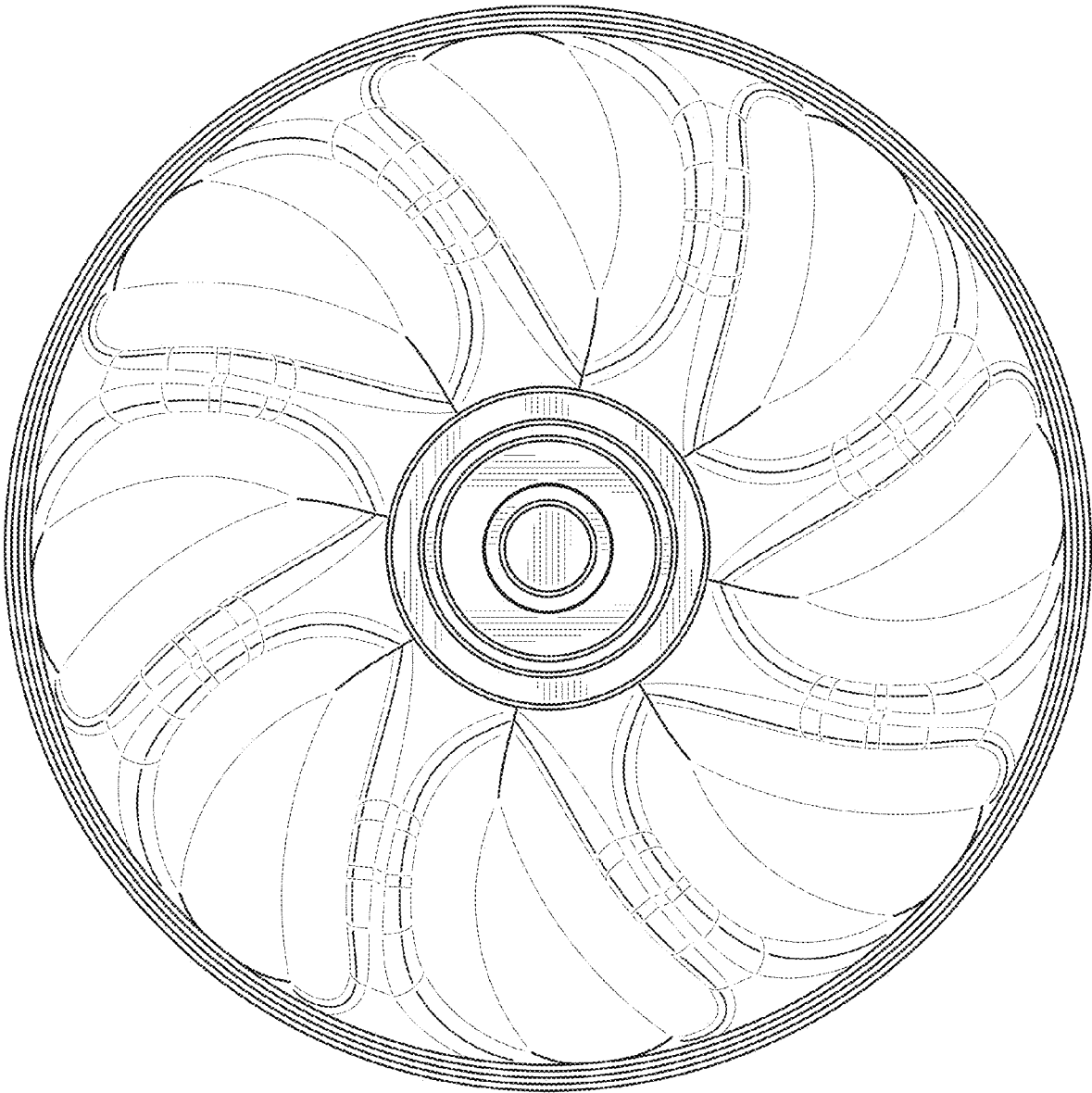


FIG. 8

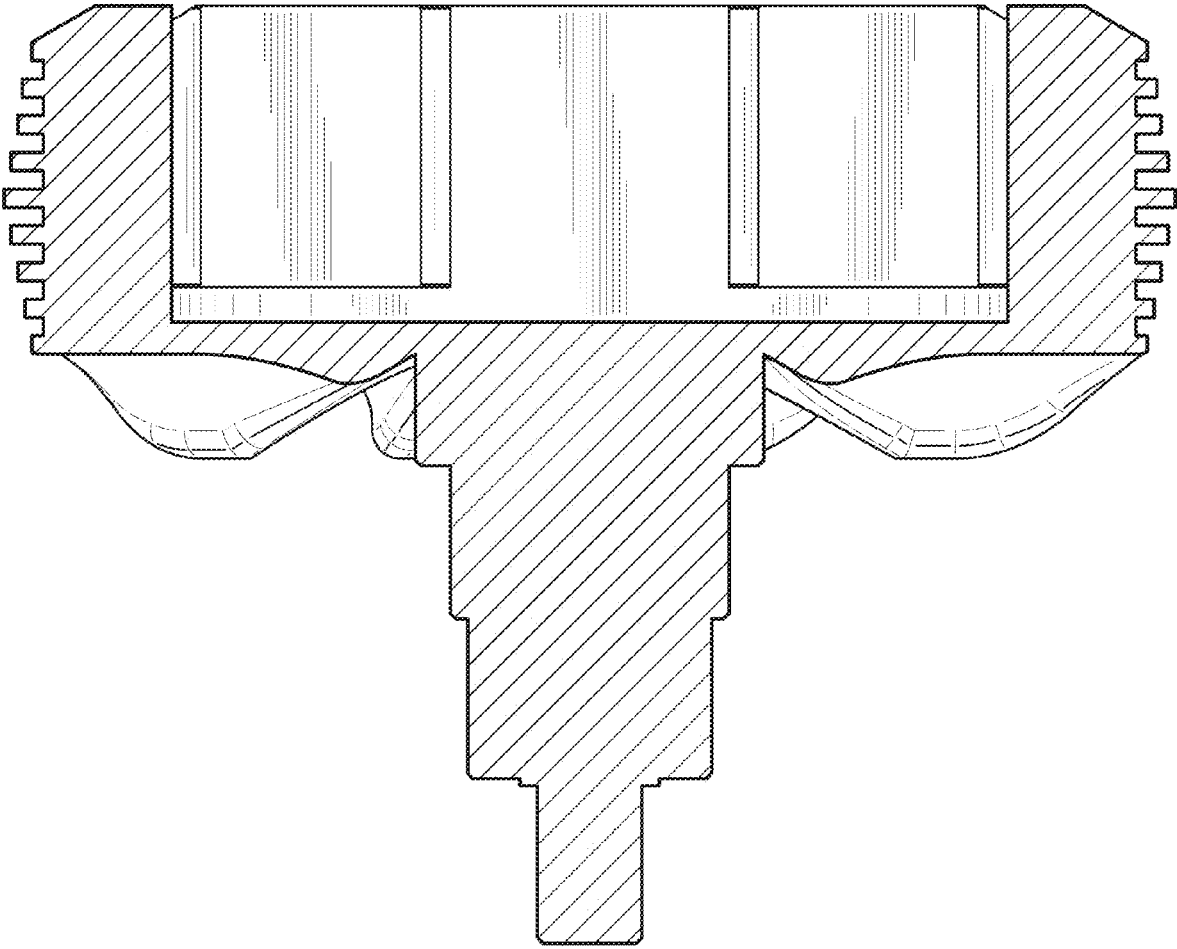


FIG. 9