



US00D947405S

(12) **United States Design Patent** (10) **Patent No.:** **US D947,405 S**
Veenendaal (45) **Date of Patent:** **** Mar. 29, 2022**

(54) **SAMPLE COLLECTOR WITH NESTED IN VITRO DIAGNOSTIC DEVICE (IVD)**

(71) Applicant: **ATH (AUSTRALIA) PTY LTD,**
Kellyville (AU)

(72) Inventor: **Marc Veenendaal,** Kellyville (AU)

(73) Assignee: **ATH (AUSTRALIA) PTY LTD,**
Kellyville (AU)

(**) Term: **15 Years**

(21) Appl. No.: **29/758,083**

(22) Filed: **Nov. 12, 2020**

(30) **Foreign Application Priority Data**

May 13, 2020 (AU) 202012746

(51) **LOC (13) Cl.** **24-01**

(52) **U.S. Cl.**
USPC **D24/224; D24/216**

(58) **Field of Classification Search**
USPC D24/216, 219, 223–227, 231, 232, 233,
D24/234, 118, 121; D10/81; D9/549
CPC A61B 10/0045; A61B 10/007; B01L
2300/041; B01L 2300/042; B01L
2300/0609; B01L 2300/0858
See application file for complete search history.

(56) **References Cited**

U.S. PATENT DOCUMENTS

5,342,330 A * 8/1994 Kane A61B 10/0045
4/144.1
D661,403 S * 6/2012 Connelly D24/224

D669,169 S * 10/2012 Washington D24/121
D690,826 S * 10/2013 Kuroda D24/224
D711,549 S * 8/2014 Trump D24/224
D767,158 S * 9/2016 Wang D24/224
D901,677 S * 11/2020 Hong D24/224
10,898,169 B1 * 1/2021 Johnson B01L 3/5029
2019/0307382 A1 * 10/2019 Fedoruk B01L 3/508
2019/0308864 A1 * 10/2019 Fedoruk A61B 5/15003

* cited by examiner

Primary Examiner — Anhdao Doan

(74) *Attorney, Agent, or Firm* — Michael J. Feigin, Esq.;
Feigin and Fridman LLC

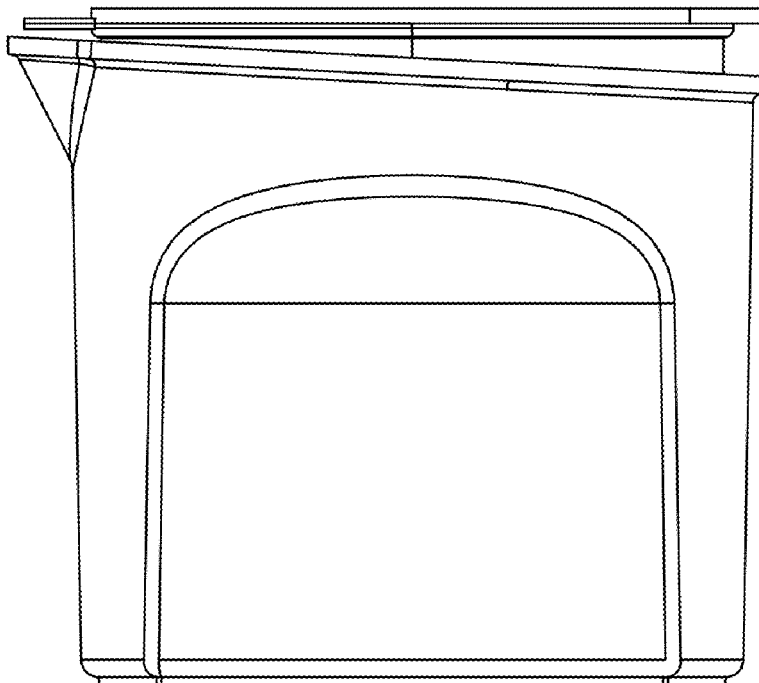
(57) **CLAIM**

The ornamental design for a sample collector with nested in vitro diagnostic device (IVD), as shown.

DESCRIPTION

FIG. 1 shows a perspective view of a sample collector with nested in vitro diagnostic device (IVD).
FIG. 2 shows a second perspective view thereof.
FIG. 3 shows a front view thereof.
FIG. 4 shows a rear view thereof.
FIG. 5 shows a top view thereof.
FIG. 6 shows a bottom plan view thereof.
FIG. 7 shows a right side view thereof.
FIG. 8 shows a left side view thereof; and,
FIG. 9 shows a perspective view with un-nested versions of the device.

1 Claim, 9 Drawing Sheets



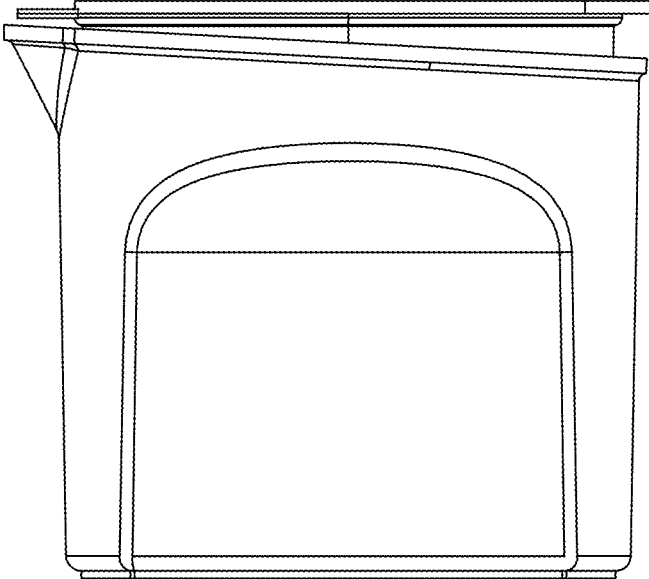


Fig 1

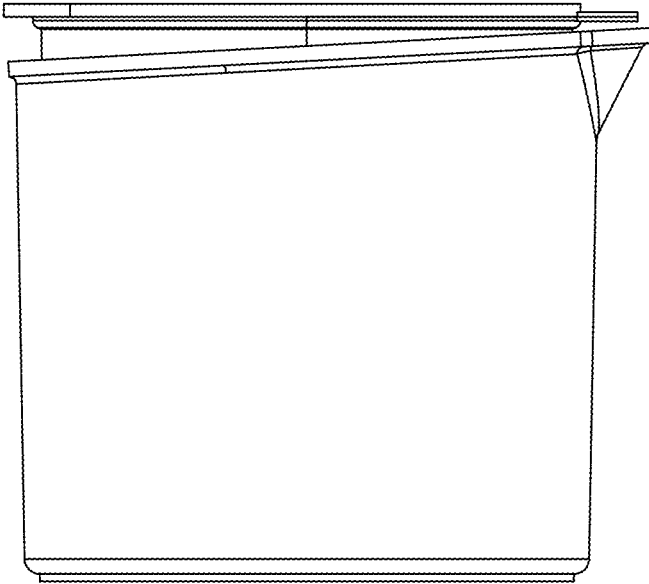


Fig 2

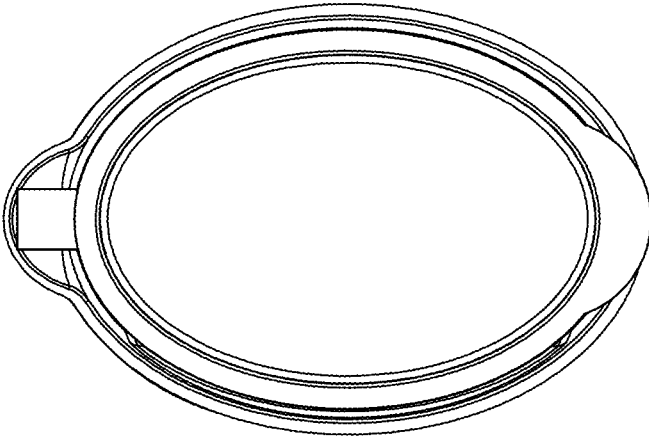


Fig 3

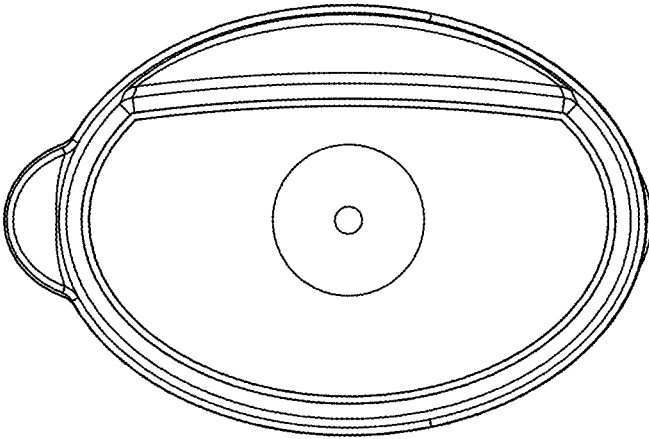


Fig 4

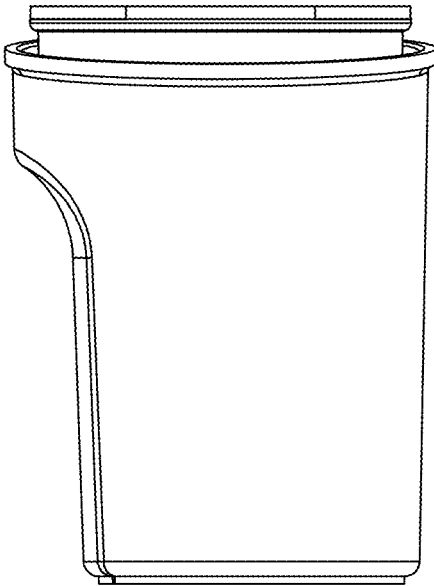


Fig 5

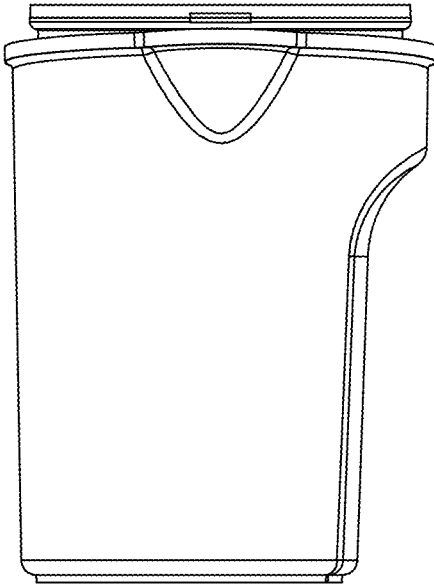


Fig 6

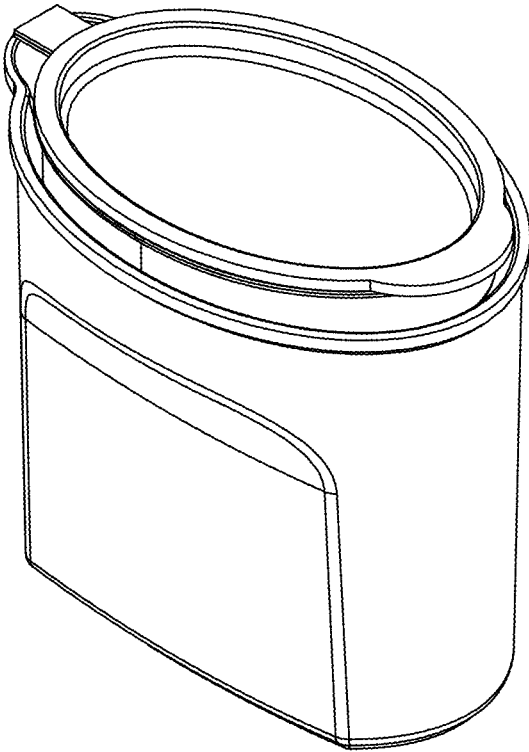


Fig 7

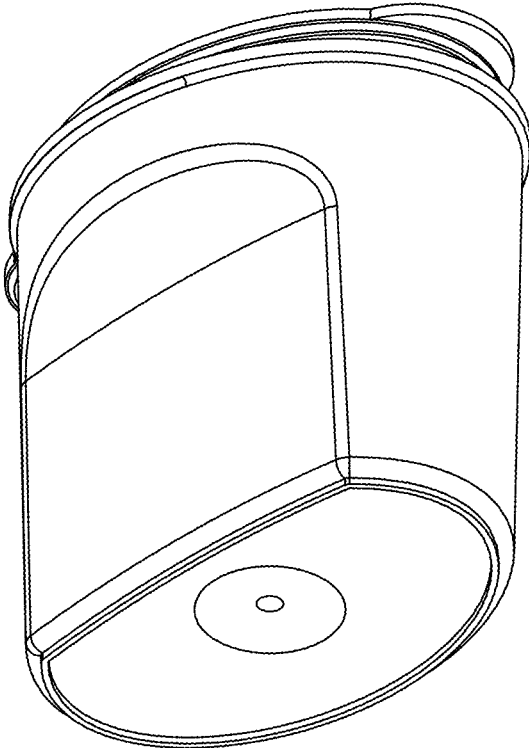


Fig 8

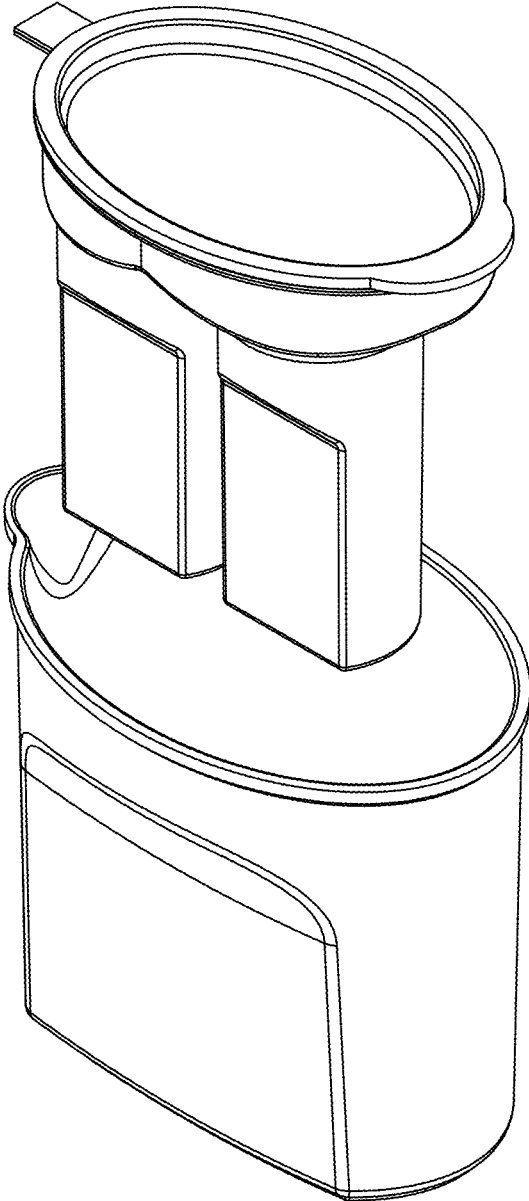


Fig 9