



US00D951010S

(12) **United States Design Patent**  
**Janiszewski et al.**

(10) **Patent No.:** **US D951,010 S**  
(45) **Date of Patent:** **\*\* May 10, 2022**

(54) **ADAPTER FOR BOTTLE**  
(71) Applicants: **Maura Janiszewski**, Florham Park, NJ (US); **Michael Janiszewski**, Florham Park, NJ (US)  
(72) Inventors: **Maura Janiszewski**, Florham Park, NJ (US); **Michael Janiszewski**, Florham Park, NJ (US)  
(\*\*) Term: **15 Years**

5,050,759 A \* 9/1991 Marble ..... A47G 19/2272  
220/705  
6,269,968 B1 \* 8/2001 Belcastro ..... A47G 19/2272  
220/203.18  
D467,174 S \* 12/2002 Mozes ..... D9/435  
D627,595 S \* 11/2010 Jennings ..... D7/392.1  
D630,510 S \* 1/2011 Yacktmann ..... D9/447  
D708,518 S \* 7/2014 Ivosevic ..... D9/445  
D873,136 S \* 1/2020 Sima ..... D9/447  
10,918,231 B1 \* 2/2021 Jain ..... A47G 19/2272  
2001/0035420 A1 \* 11/2001 Fusco ..... A47G 19/2272  
220/714

(Continued)

(21) Appl. No.: **29/763,023**

(22) Filed: **Dec. 21, 2020**

(51) **LOC (13) Cl.** ..... **07-99**

(52) **U.S. Cl.** ..... **D7/392.1; D9/447**

(58) **Field of Classification Search**

USPC ..... D7/550.1, 554.2, 387, 391, 392, 392.1, D7/396.1, 396.2, 397, 398, 558, 624.1, D7/667, 388, 403, 407, 408, 409; D9/723, 724, 434, 435, 436, 438, 443, D9/445, 447, 448, 449, 450, 452, 453, D9/454; D23/206, 209, 259, 260, 261, D23/397

CPC ..... B65D 43/0208; B65D 2231/022; B65D 2543/00027; B65D 2543/00092; B65D 2543/000296; B65D 2543/00342; B65D 2543/00509; B65D 2543/00518; B65D 2543/00537; B65D 2543/00731; B65D 2543/00814; B65D 41/34; B65D 41/3428; B65D 51/22; B65D 51/268; B65D 51/44; B65D 51/245; B65D 51/295; B65D 1/20; B65D 2251/0018; B65D 2251/0071; B65D 2251/02; B65D 47/103; B29C 51/22; B29C 51/268; B29C 51/44; B29C 45/0001; B29C 45/0081; A47G 19/2272

See application file for complete search history.

(56) **References Cited**

**U.S. PATENT DOCUMENTS**

D102,741 S \* 1/1937 Bloomfield ..... D9/447  
5,024,341 A 6/1991 Dekerle

**OTHER PUBLICATIONS**

Re=Play No Spill Sippy Cup: announced Dec. 13, 2017 [online]. Site Visited [Dec. 13, 2021. Available from Internet URL: <https://re-play.com/products/no-spill-sippy-cup?variant=1893125488664>.\*

(Continued)

*Primary Examiner* — Catherine S Posthauer  
(74) *Attorney, Agent, or Firm* — Michael J. Feigin, Esq.; Feigin and Fridman LLC

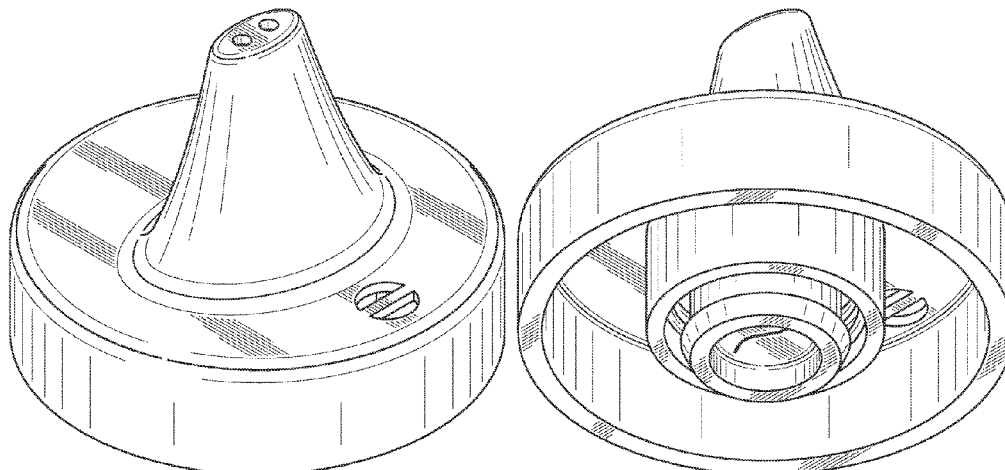
(57) **CLAIM**

The ornamental design for an adapter for bottle, as shown and described.

**DESCRIPTION**

FIG. 1 is a top, side, perspective view of an adapter for bottle;  
FIG. 2 is a bottom, side, perspective view thereof;  
FIG. 3 is a side elevation view thereof;  
FIG. 4 is a side elevation view opposite that of FIG. 3;  
FIG. 5 is a top plan view thereof;  
FIG. 6 is a bottom plan view thereof; and,  
FIG. 7 is another side elevation view thereof.

**1 Claim, 6 Drawing Sheets**



(56)

**References Cited**

## U.S. PATENT DOCUMENTS

2002/0033399 A1\* 3/2002 Manganiello ..... B65D 51/165  
220/714  
2002/0190020 A1 12/2002 Noyd  
2005/0067419 A1\* 3/2005 Gordon ..... A47G 19/2272  
220/717  
2005/0247719 A1\* 11/2005 Loging ..... A61J 7/0046  
220/714  
2006/0006184 A1\* 1/2006 Bohman ..... A47G 19/2272  
220/717  
2006/0081551 A1 4/2006 Hegg  
2007/0012647 A1 1/2007 Almonte  
2008/0149651 A1\* 6/2008 Samson ..... B65D 47/06  
220/717  
2008/0283537 A1\* 11/2008 Smith ..... A47G 19/2272  
220/713  
2009/0120894 A1 5/2009 Kario et al.  
2011/0284589 A1\* 11/2011 Serrano ..... B65D 47/0885  
222/556

## OTHER PUBLICATIONS

Parent Units Sipping Spout: bbiybced Dec. 5, 2018 [online]. Site Visited [Dec. 13, 2021]. Available from Internet URL: [https://www.amazon.com/Parent-Units-Sipping-Assorted-Bottles/dp/B0747QSHNP/ref=psdc\\_166779011\\_t2\\_B004K6LMW0](https://www.amazon.com/Parent-Units-Sipping-Assorted-Bottles/dp/B0747QSHNP/ref=psdc_166779011_t2_B004K6LMW0).\*

\* cited by examiner

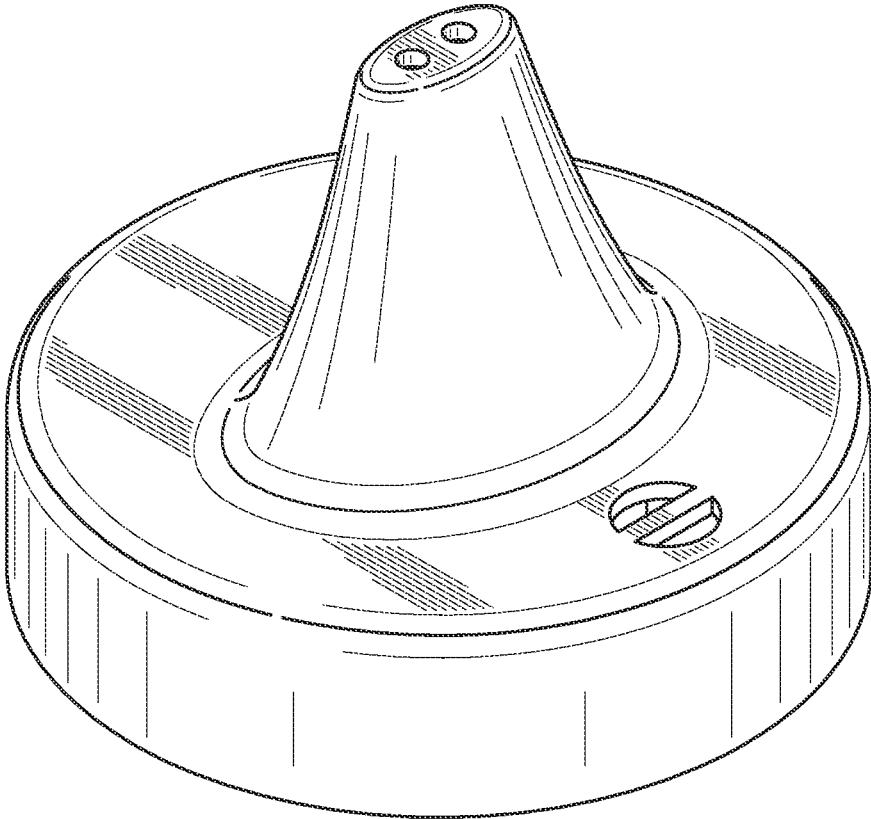


FIG. 1

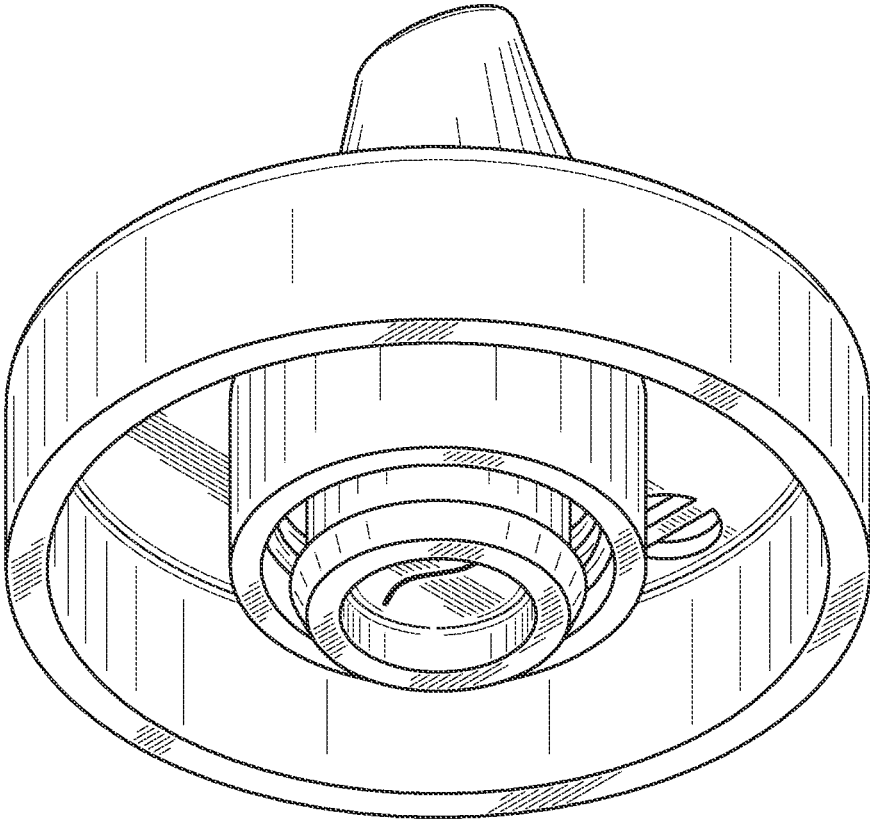


FIG. 2

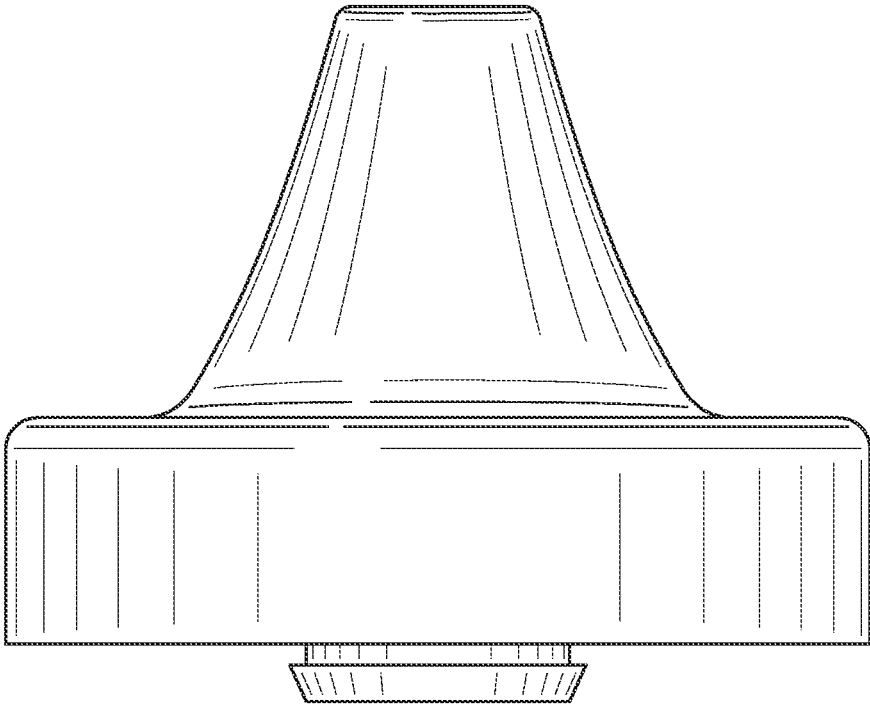


FIG. 3

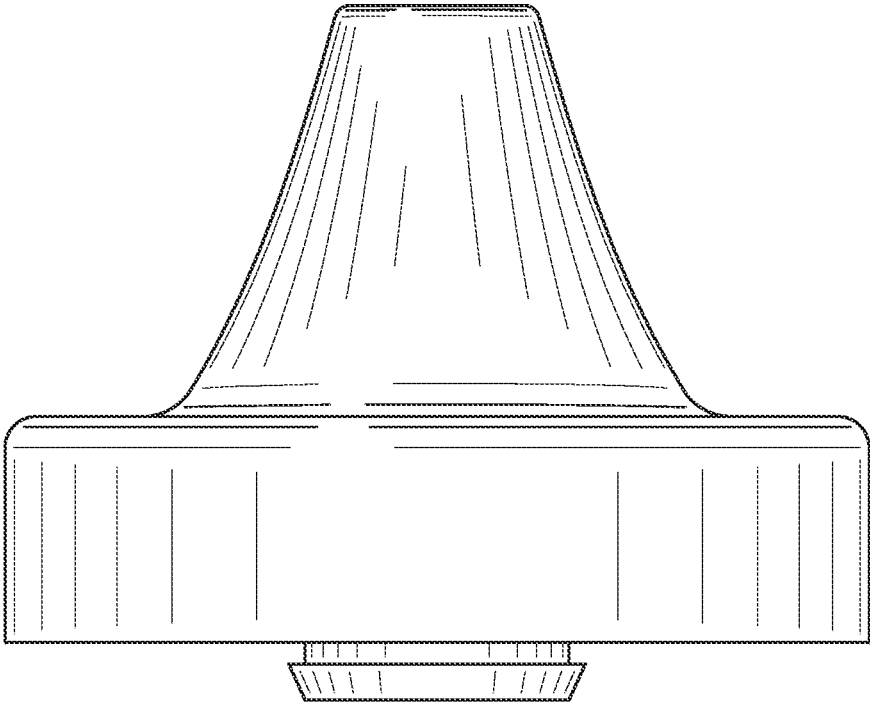


FIG. 4

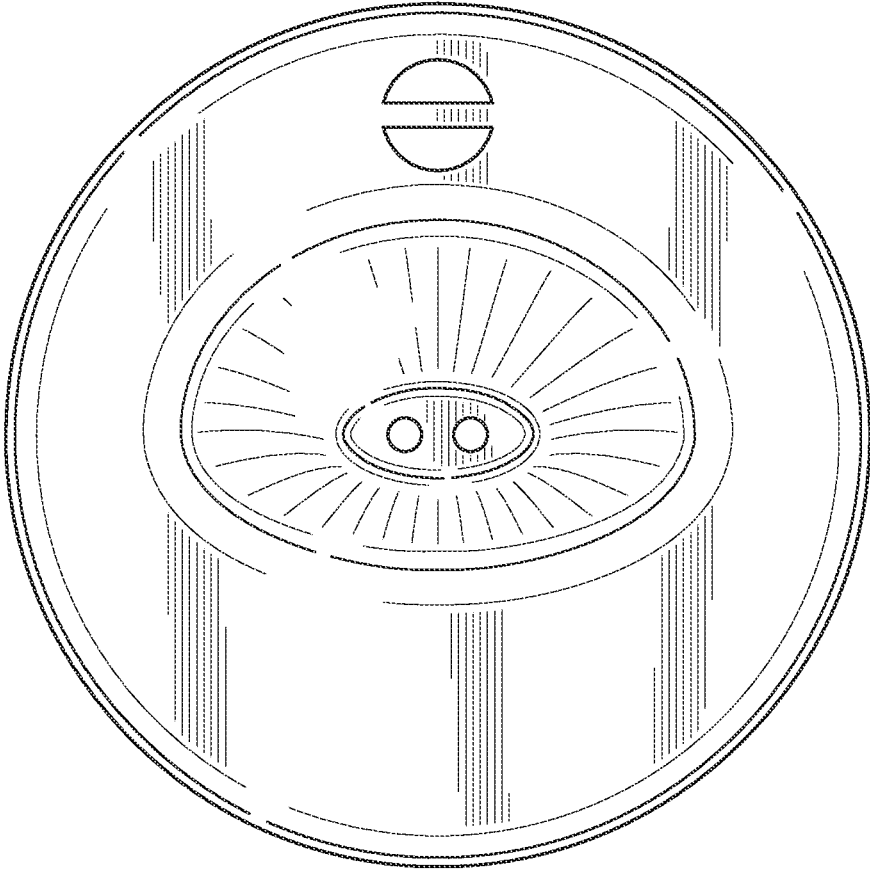


FIG. 5

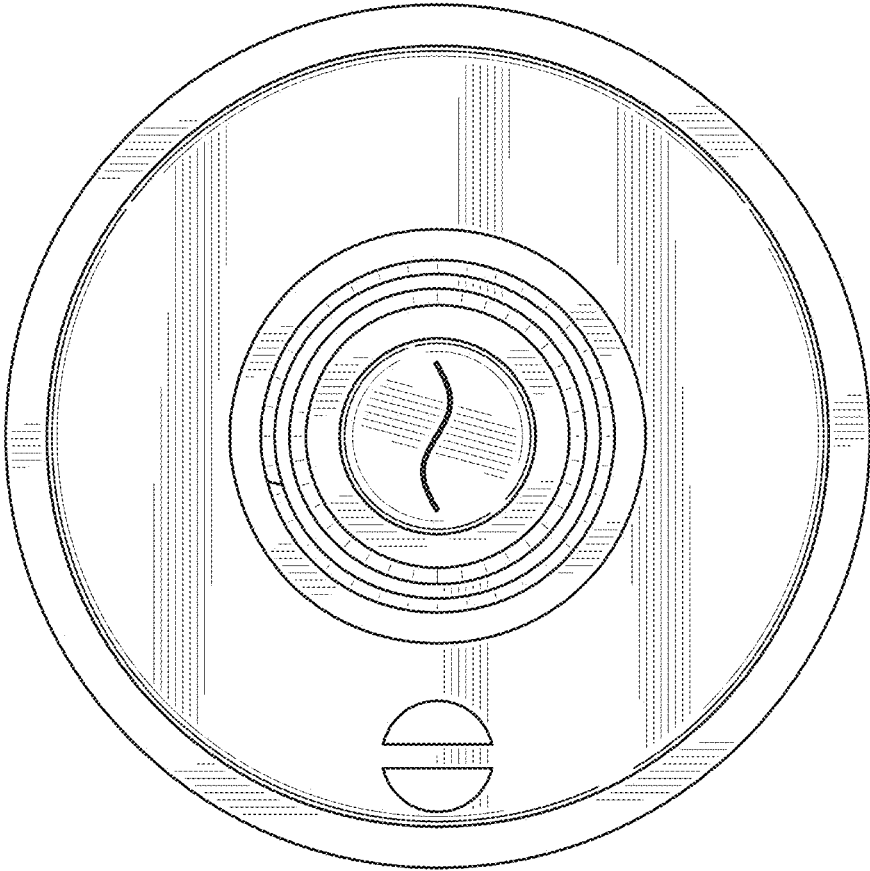


FIG. 6

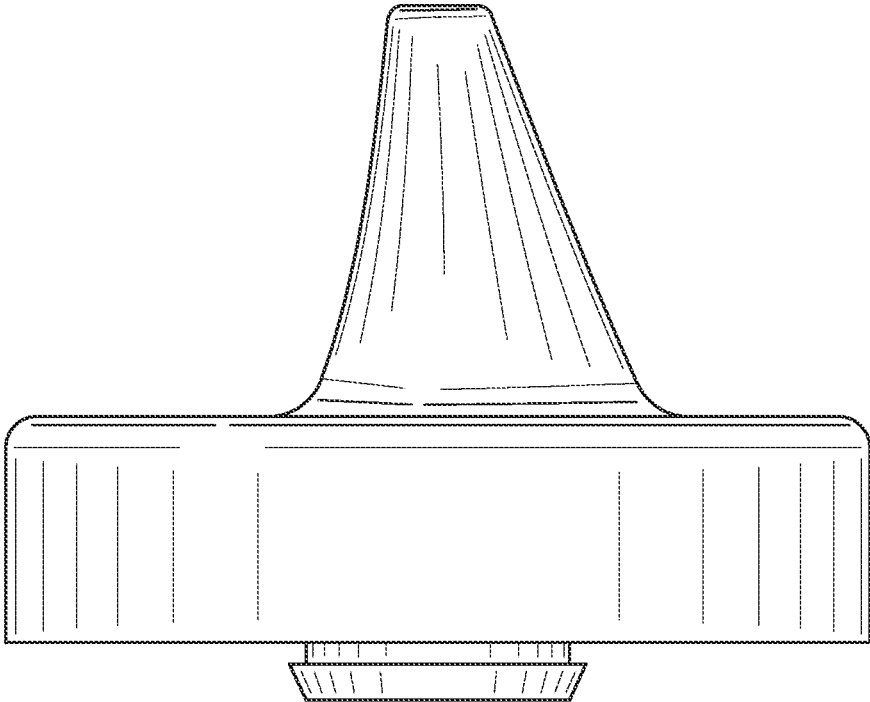


FIG. 7