



US00D951071S

(12) **United States Design Patent**
Kosturko et al.

(10) **Patent No.:** **US D951,071 S**

(45) **Date of Patent:** **** May 10, 2022**

(54) **SANDPAPER DISPENSING DEVICE**

D476,879 S * 7/2003 Chu D8/358
6,951,297 B1 10/2005 Lopez
D565,301 S * 4/2008 Chen D3/273

(71) Applicants: **Timothy John Kosturko**, Wallington,
NJ (US); **John Zigrest**, Brick
Township, NJ (US)

(Continued)

(72) Inventors: **Timothy John Kosturko**, Wallington,
NJ (US); **John Zigrest**, Brick
Township, NJ (US)

FOREIGN PATENT DOCUMENTS

JP D1079696 * 7/2000

(**) Term: **15 Years**

(21) Appl. No.: **29/729,359**

(22) Filed: **Mar. 26, 2020**

(51) **LOC (13) Cl.** **03-01**

(52) **U.S. Cl.** **D8/358**
USPC **D8/358**

(58) **Field of Classification Search**
USPC D3/272, 273, 274, 294, 316, 905, 20, 24,
D3/25, 201; D9/421, 435; D8/358;
D7/629
CPC B65D 43/164; B65D 2251/1083; B65H
75/4471

See application file for complete search history.

OTHER PUBLICATIONS

www.amazon.com "VSM—332649 Abrasives 1" × 50 Yard 150
Grit Aluminum Oxide Cloth Roll, Very Fine Grade, F Weighted
Backing, Brown" Site visited: Sep. 21, 2021. Date First Available:
May 18, 2018. <https://www.amazon.com/VSM-Abrasives-Aluminum-Weighted-Backing/dp/B07D5PFW6F> (Year: 2018).*

Primary Examiner — Brett Miller
Assistant Examiner — Jessica M Gebhart
(74) *Attorney, Agent, or Firm* — Michael J. Feigin, Esq.;
Feigin and Fridman LLC

(57) **CLAIM**

The ornamental design for a sandpaper dispensing device, as
shown and described.

DESCRIPTION

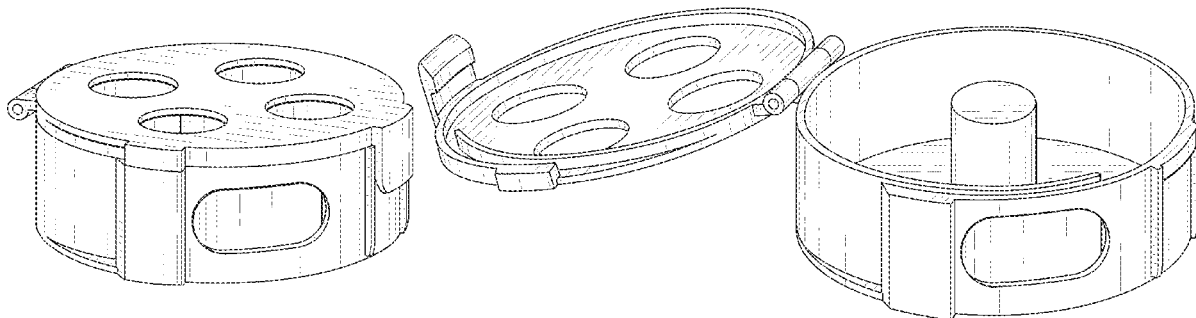
FIG. 1 shows a top and side perspective view of the
sandpaper dispensing device.
FIG. 2 shows a first side elevation view thereof.
FIG. 3 shows a second side elevation view thereof.
FIG. 4 shows a third side elevation view thereof.
FIG. 5 shows a fourth side elevation view thereof.
FIG. 6 shows a top plan view thereof.
FIG. 7 shows a bottom plan view thereof.
FIG. 8 shows the top side perspective view of FIG. 1 with
the device opened.
FIG. 9 shows a top plan view thereof; and,
FIG. 10 shows a side elevation view thereof.
FIGS. 8, 9, and 10 are provided to show the contours of the
depth of the sandpaper dispensing device of FIGS. 1-8.

1 Claim, 8 Drawing Sheets

(56) **References Cited**

U.S. PATENT DOCUMENTS

3,102,671 A	9/1963	Gershen	
D202,366 S *	9/1965	Bishop	D8/358
D260,073 S *	8/1981	Wells	D8/358
4,467,974 A	8/1984	Crim	
D291,843 S *	9/1987	Searle	D3/302
4,947,990 A	8/1990	Klemets	
D313,165 S *	12/1990	Kovacik	D8/358
5,641,377 A	6/1997	Chung et al.	
5,660,313 A	8/1997	Newbold	
D402,538 S *	12/1998	Wagter	D8/358
6,092,657 A	7/2000	Hopkins	
D448,651 S *	10/2001	Kovacik	D8/358
6,299,018 B1	10/2001	Kimbrell	
D455,552 S *	4/2002	Charness	D3/302



(56)

References Cited

U.S. PATENT DOCUMENTS

D640,546	S	*	6/2011	Berggren	D9/428
D678,675	S	*	3/2013	Lin	D3/273
D747,165	S	*	1/2016	VanderWoude	D8/70
D785,945	S	*	5/2017	Trammell	D3/318
D813,653	S	*	3/2018	Gubbins	D8/358
D871,069	S	*	12/2019	Carlson	D3/294
D899,875	S	*	10/2020	Joseph	D7/640

* cited by examiner

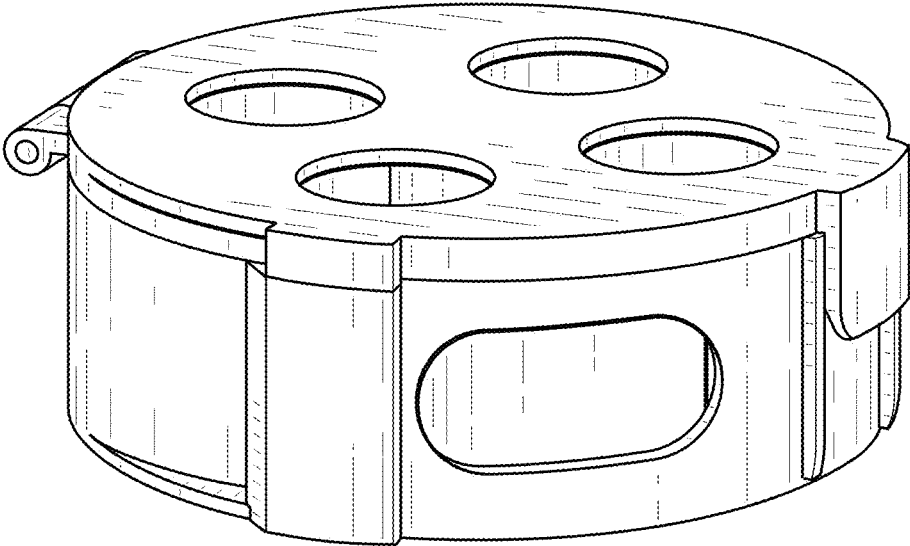


FIG. 1

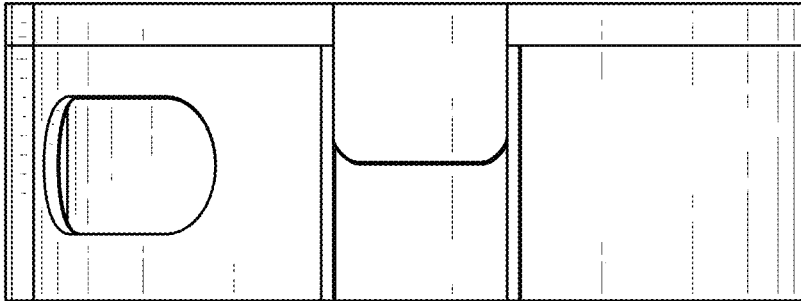


FIG. 2

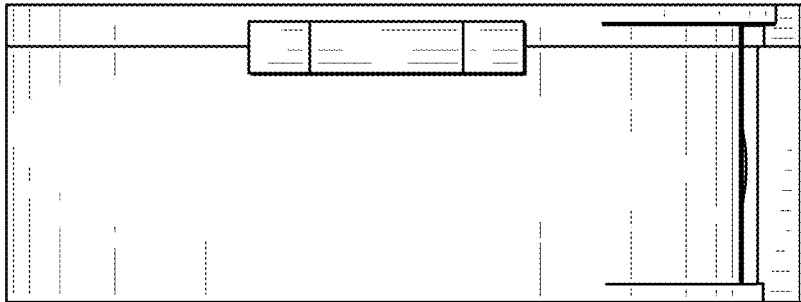


FIG. 3

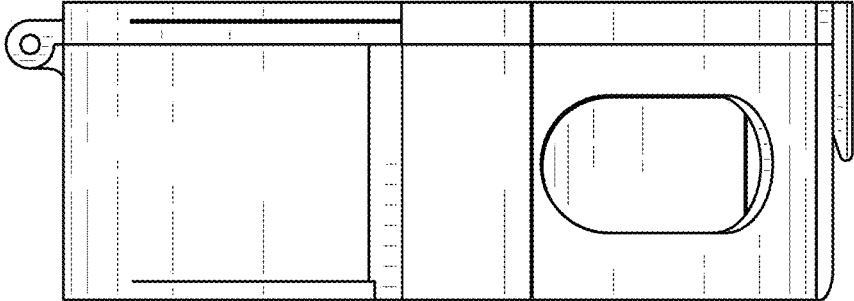


FIG. 4

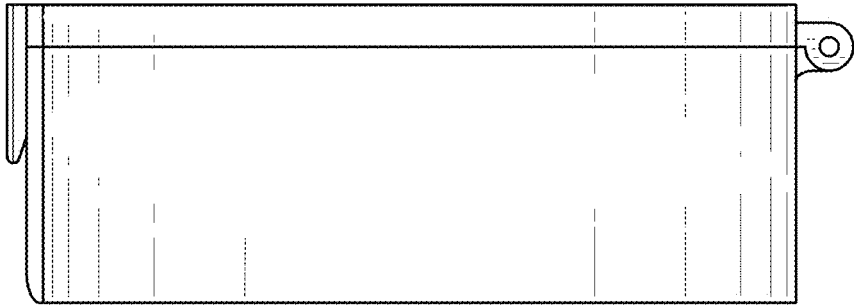


FIG. 5

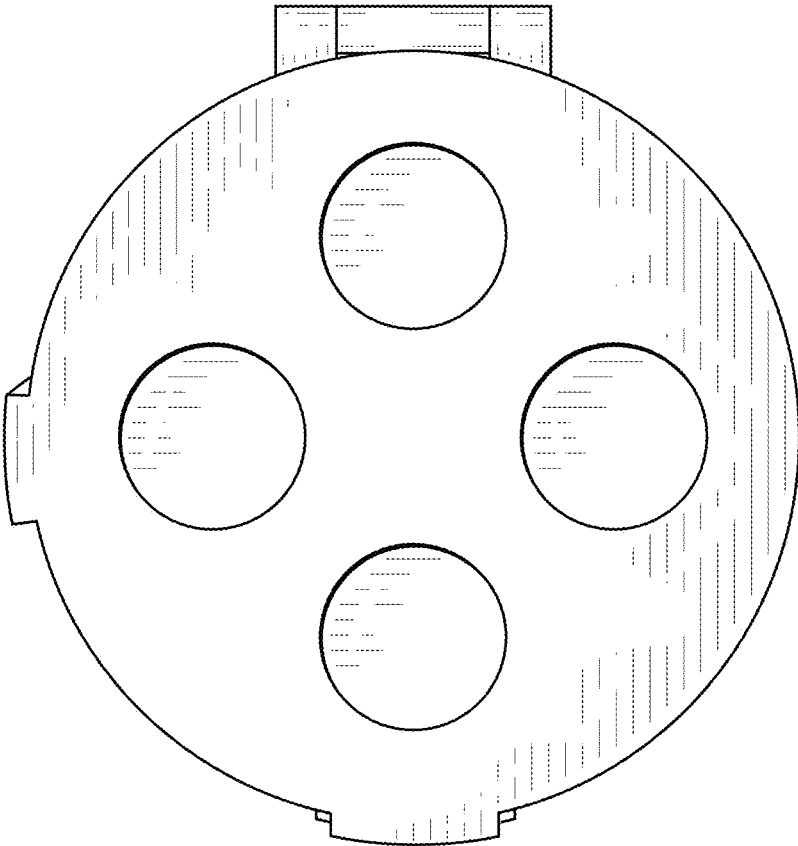


FIG. 6

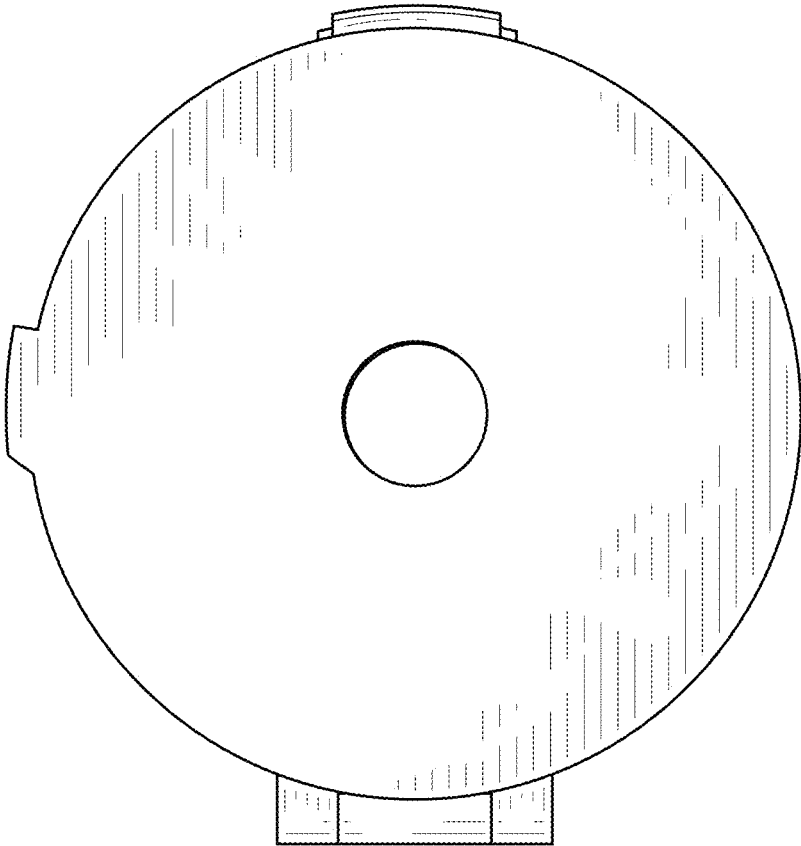


FIG. 7

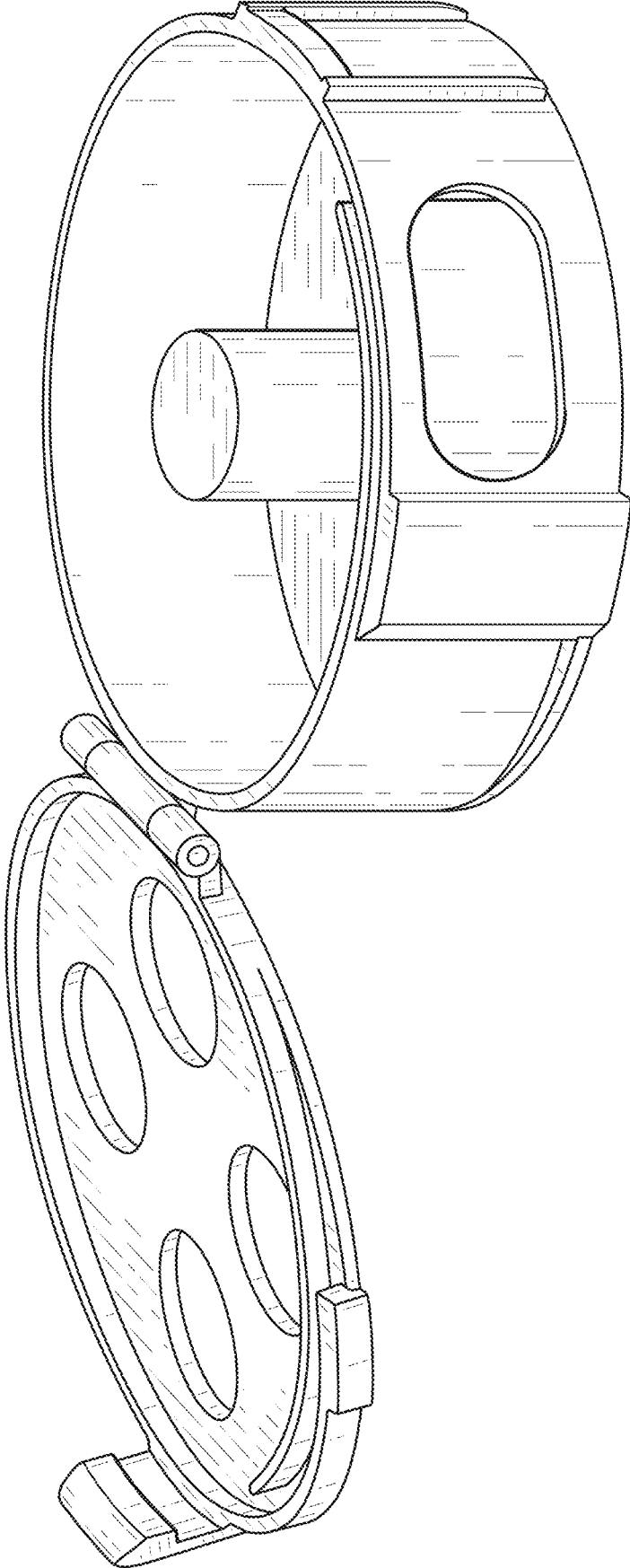


FIG. 8

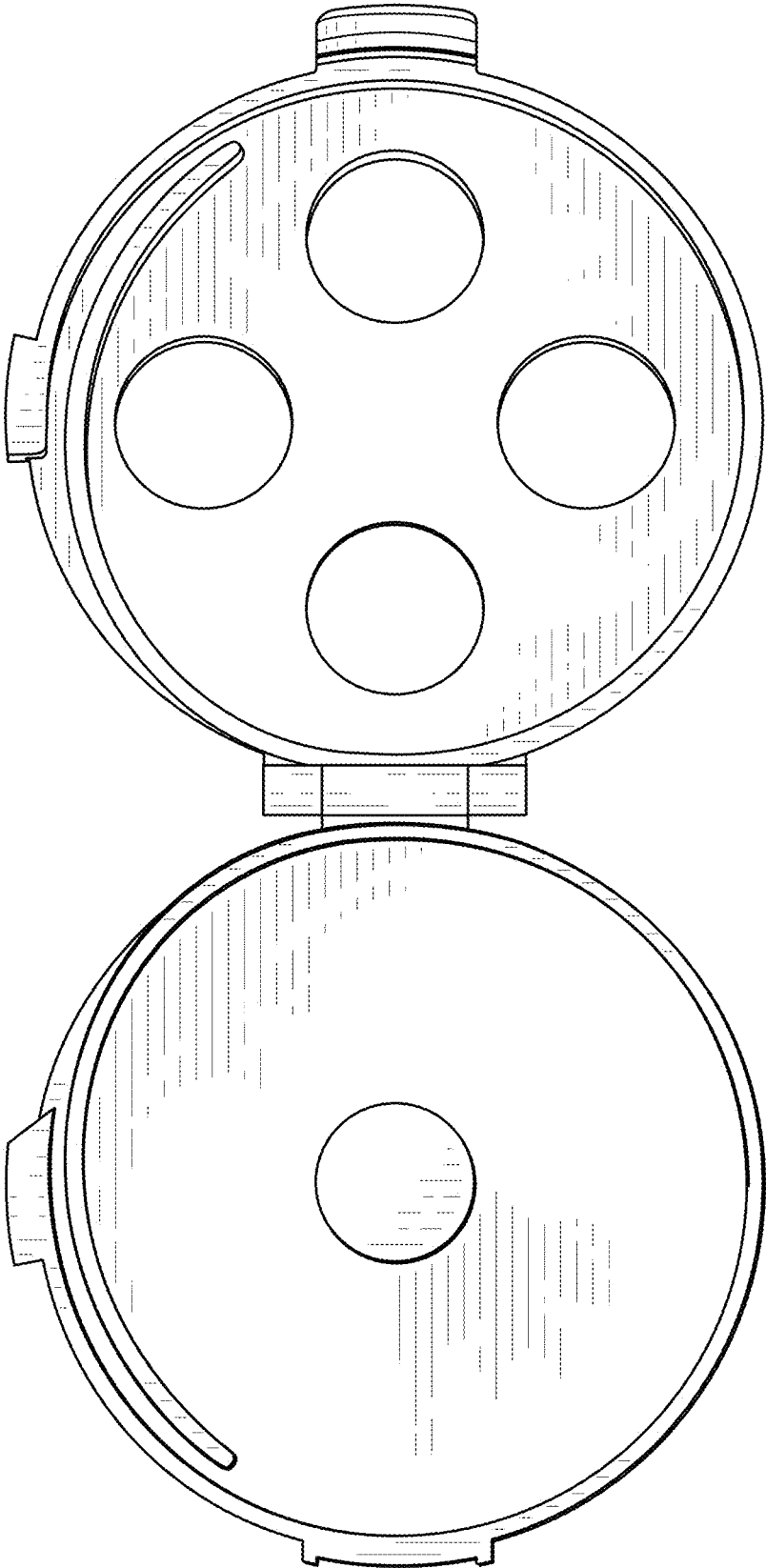


FIG. 9

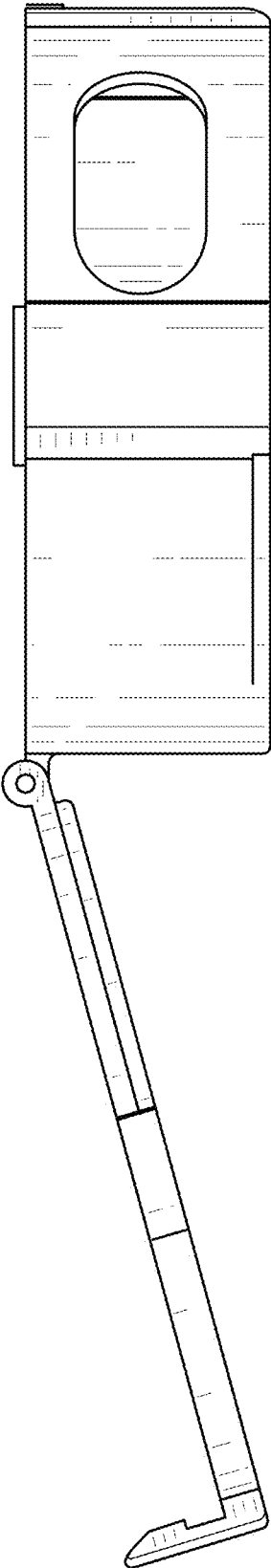


FIG. 10