



(12) **United States Design Patent**
Nurse

(10) **Patent No.:** **US D955,816 S**
(45) **Date of Patent:** **** Jun. 28, 2022**

- (54) **UMBRELLA TABLE LAZY SUSAN**
- (71) Applicant: **Ayoluwa Nurse**, South Orange, NJ (US)
- (72) Inventor: **Ayoluwa Nurse**, South Orange, NJ (US)
- (**) Term: **15 Years**
- (21) Appl. No.: **29/745,637**
- (22) Filed: **Aug. 7, 2020**
- (51) **LOC (13) Cl.** **07-01**
- (52) **U.S. Cl.**
USPC **D7/501**
- (58) **Field of Classification Search**
USPC D7/501, 500, 553.6, 554.1, 590, 600.2;
211/74, 133.4, 131.1; D6/691, 349, 685,
D6/406.6; 40/377
CPC A47J 47/16; A47B 49/004
See application file for complete search history.

5,857,741	A *	1/1999	Anderson	A47B 83/02
					224/521
6,082,269	A *	7/2000	Padberg	A47B 37/04
					108/44
D517,353	S *	3/2006	Carter	D6/692.5
D572,733	S *	7/2008	Ota	D15/138
D593,585	S *	6/2009	Ota	D15/138
D595,088	S *	6/2009	Watts	D7/501
D737,098	S *	8/2015	Smith	D7/501
9,215,950	B2 *	12/2015	Walker	F24C 3/14
D761,621	S *	7/2016	Hsu	D7/501
D769,708	S *	10/2016	Smith	D8/399
D787,368	S *	5/2017	Meyers	D11/164
D797,647	S *	9/2017	Spafford	D12/400
D806,474	S *	1/2018	Greenwood	D7/501
D846,481	S *	4/2019	Turner	D12/400
D889,175	S *	7/2020	Clayton	D6/705.1
D894,686	S *	9/2020	Nagawkar	D7/540

(Continued)

Primary Examiner — Cynthia R Underwood
(74) *Attorney, Agent, or Firm* — Michael J. Feigin, Esq.;
Feigin and Fridman LLC

(57) **CLAIM**

The ornamental design for an umbrella table lazy Susan, as shown and described.

DESCRIPTION

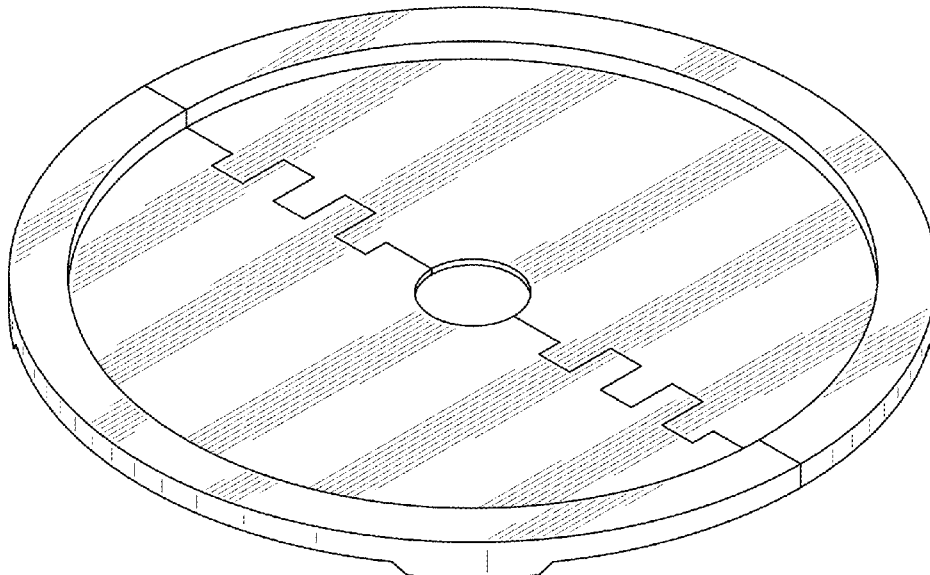
FIG. 1 shows a top and side perspective view of a umbrella table lazy Susan, shown in an open state;
FIG. 2 shows a bottom and reverse side view thereof.
FIG. 3 shows a top plan view thereof.
FIG. 4 shows a bottom plan view thereof.
FIG. 5 shows a side elevation view thereof, the opposite side being a mirror image thereof.
FIG. 6 shows a front elevation view thereof, the opposite side being a mirror image thereof.
FIG. 7 shows a perspective view in a dosed state; and,
FIG. 8 shows a perspective view thereof in an environment where the device can be used.

1 Claim, 7 Drawing Sheets

(56) **References Cited**

U.S. PATENT DOCUMENTS

2,620,089	A *	12/1952	Van Loghem	A47G 23/03
					220/605
D238,039	S *	12/1975	Juhlin	D7/584
3,951,079	A *	4/1976	Tolleson	A47F 5/02
					108/94
D270,799	S *	10/1983	Creske	D7/553.6
D286,130	S *	10/1986	Bowen	D7/402
D297,897	S *	10/1988	Stackhouse	D6/677
D301,956	S *	7/1989	Newton	D7/501
D312,554	S *	12/1990	Daenen	D7/501
D322,011	S *	12/1991	Asner	D7/554.2
D365,498	S *	12/1995	Lillelund	D7/505
5,533,857	A *	7/1996	Ferrone	A47B 11/00
					414/757
D373,865	S *	9/1996	Wells	D32/54
D386,792	S *	11/1997	Miller	D20/21



(56)

References Cited

U.S. PATENT DOCUMENTS

D938,206 S * 12/2021 Massey D6/688.1
D939,276 S * 12/2021 Greenwood D7/501

* cited by examiner

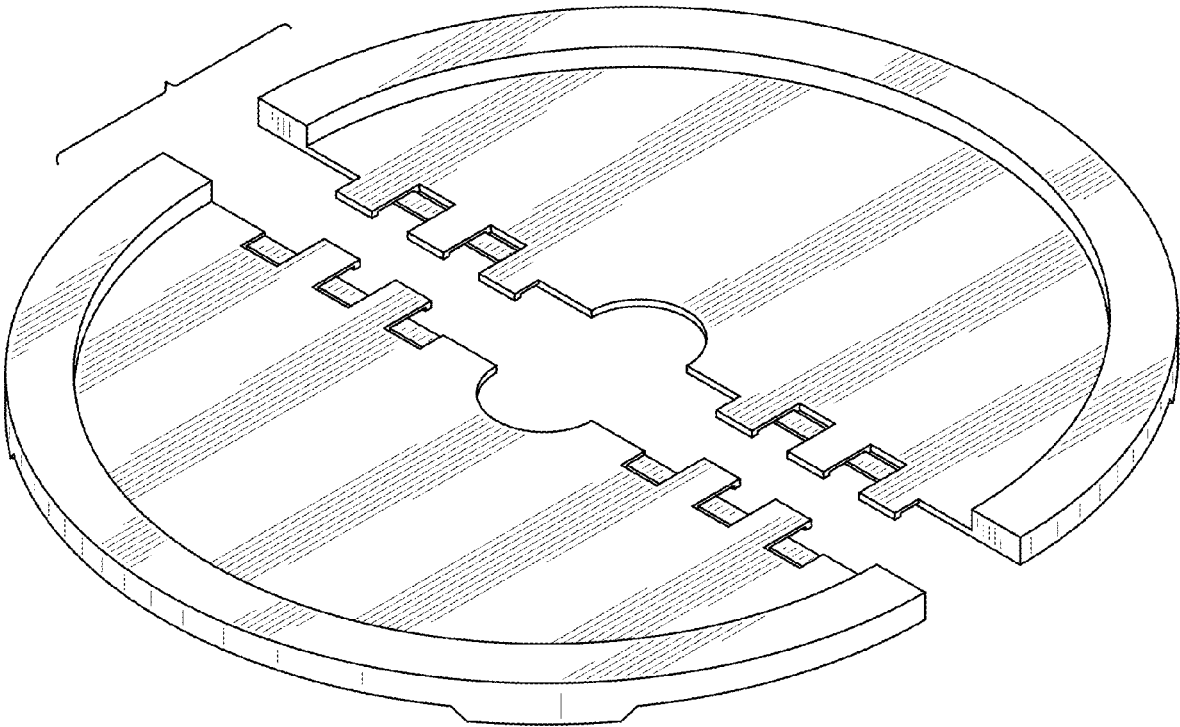


FIG. 1

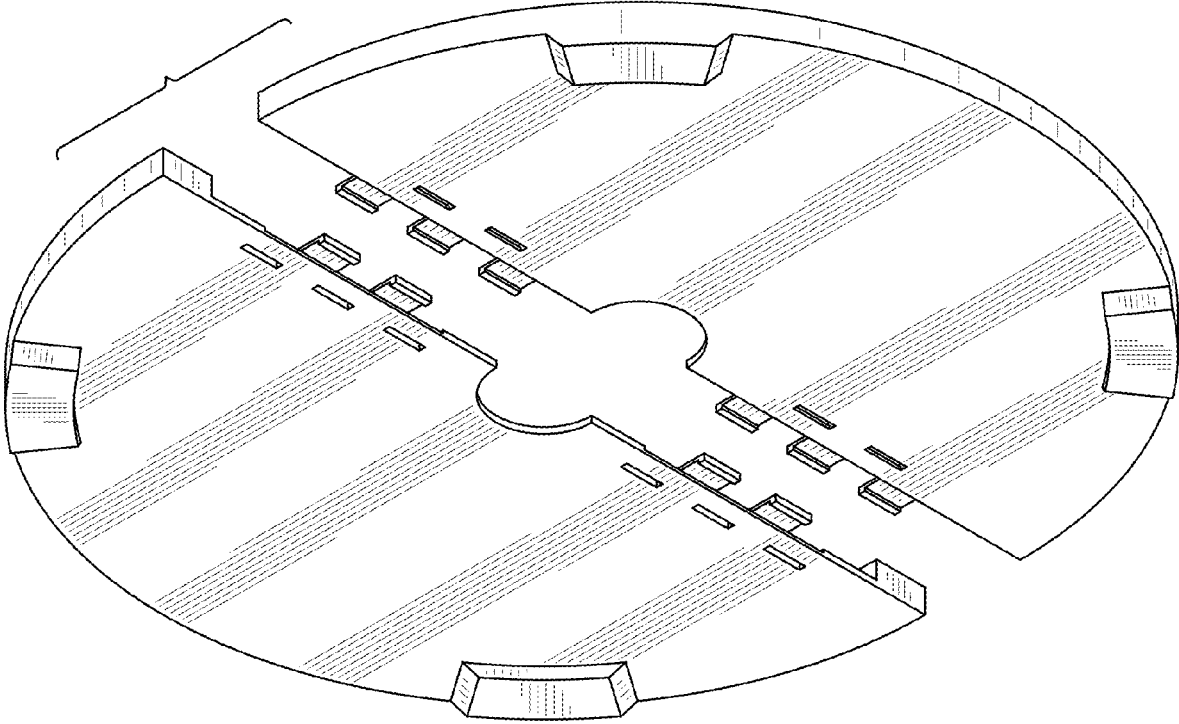


FIG. 2

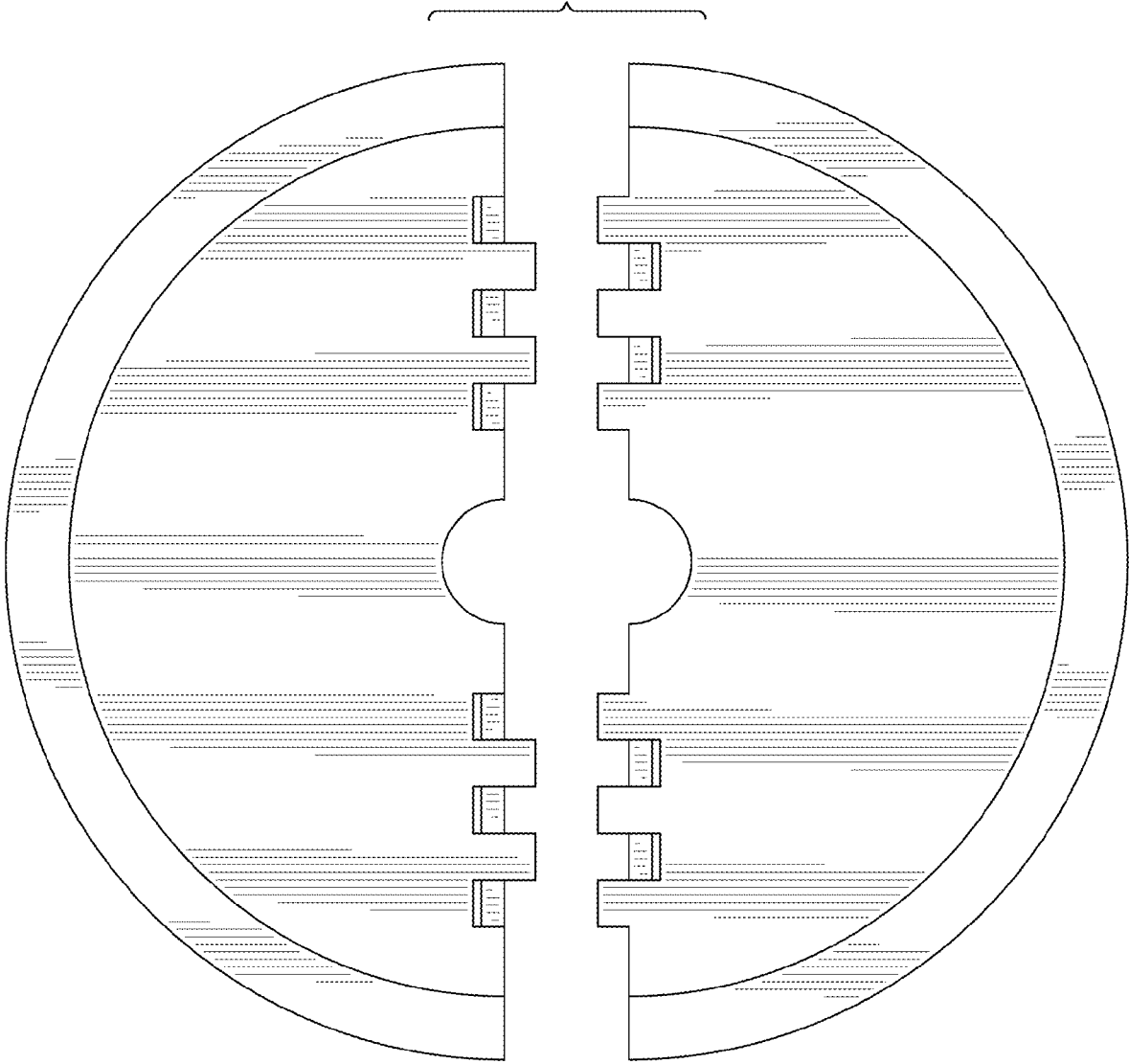


FIG. 3

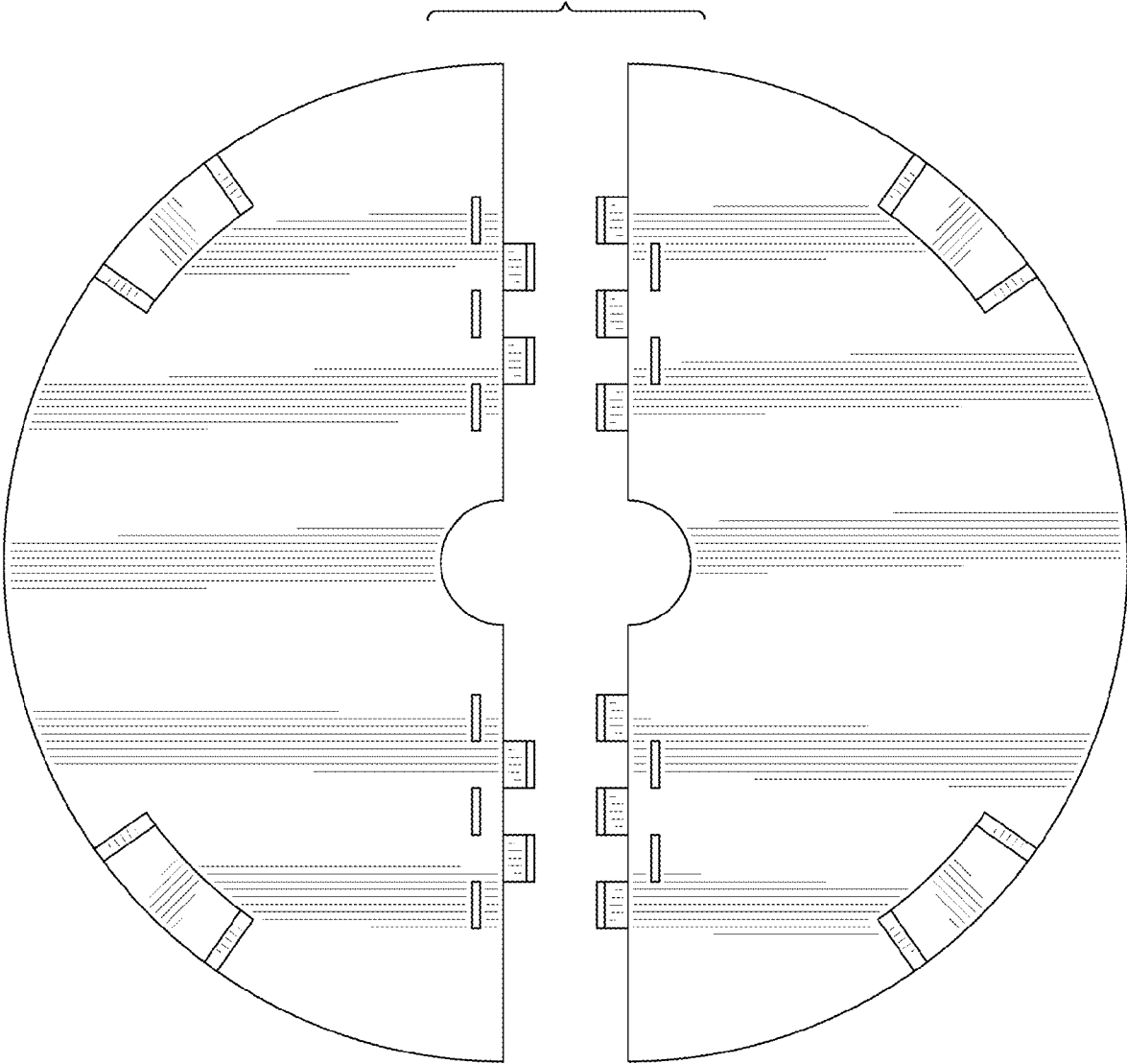


FIG. 4

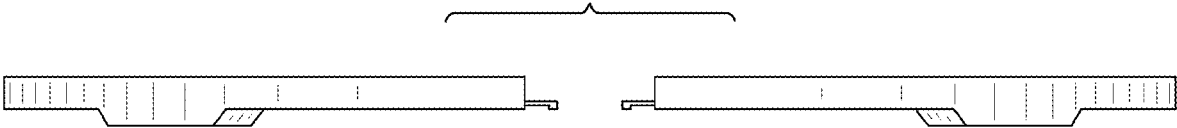


FIG. 5

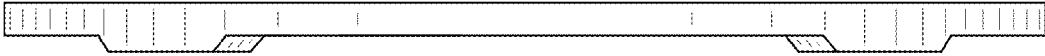


FIG. 6

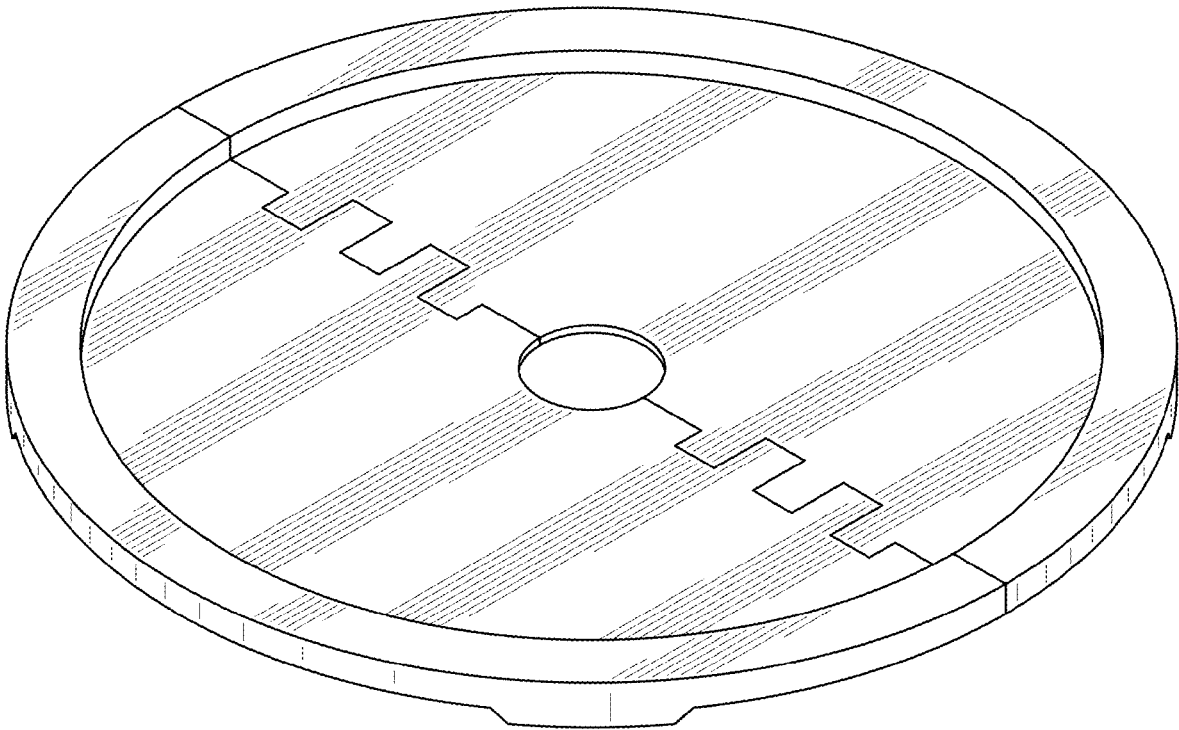


FIG. 7

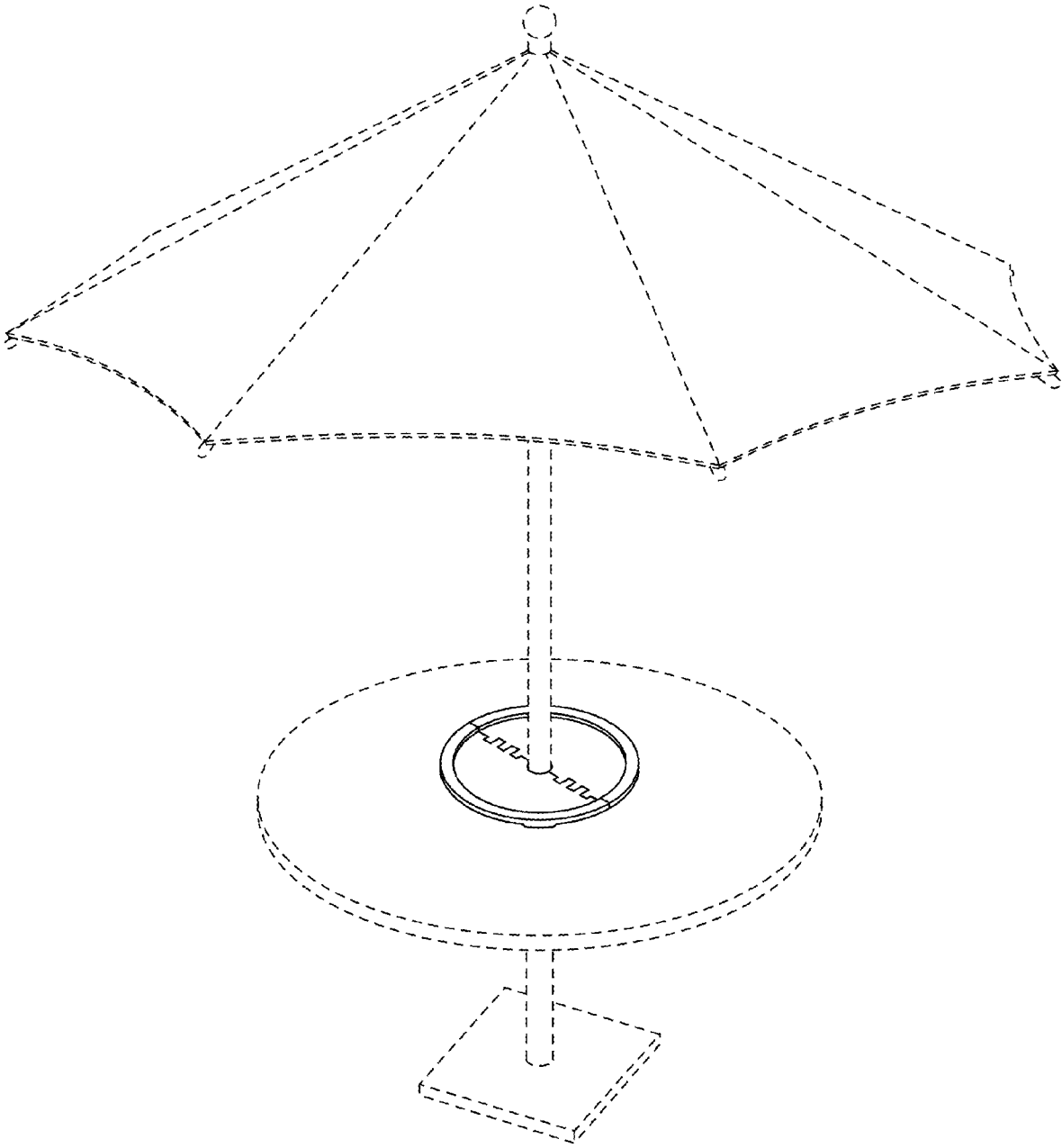


FIG. 8