



US00D960286S

(12) **United States Design Patent**
Kremerman

(10) **Patent No.:** **US D960,286 S**

(45) **Date of Patent:** **** Aug. 9, 2022**

(54) **SHORT DISTILLATION HEAD WITH INTEGRATED COOLING SPIRAL**

D316,739 S 5/1991 Erickson
D339,862 S 9/1993 Weber
5,354,428 A 10/1994 Clark

(Continued)

(71) Applicant: **Elliot Kremerman**, Los Gatos, CA (US)

(72) Inventor: **Elliot Kremerman**, Los Gatos, CA (US)

(**) Term: **15 Years**

(21) Appl. No.: **29/750,368**

(22) Filed: **Sep. 14, 2020**

(51) **LOC (13) Cl.** **23-01**

(52) **U.S. Cl.**
USPC **D23/207**

(58) **Field of Classification Search**
USPC D23/207, 213, 214, 215, 223, 224, 226, D23/229, 230; D9/440; D7/398
CPC A61H 9/0021; A61H 33/00; B05B 1/00; B05B 1/14; B05B 1/185; B05B 1/08; B05B 1/02; B05B 1/26; B05B 12/002; B05B 1/18; B05B 9/01

See application file for complete search history.

(56) **References Cited**

U.S. PATENT DOCUMENTS

D173,603 S	12/1954	Atkinson	
3,020,215 A	2/1962	Weber	
3,271,935 A	9/1966	Smith	
3,334,025 A	8/1967	Reid	
D247,248 S	2/1978	Durot	
4,089,749 A	5/1978	Karamian	
D248,485 S	7/1978	Strauss	
4,159,817 A	7/1979	Ikawa	
4,230,536 A	10/1980	Sech	
4,303,614 A	12/1981	Spring	
D293,128 S	12/1987	Karamian	
D293,368 S	12/1987	Karamian	
D306,338 S	2/1990	Rempe	
D314,225 S	1/1991	Palmer	
D314,513 S *	2/1991	Hardin D23/229

OTHER PUBLICATIONS

https://www.amazon.com/Waterway-Plastics-806105374967-Straight-Universal/dp/B004VTH108/ref=pd_rhf_se_p_img_4?encoding=UTF8&psc=1&refRID=RC9RXG54KJ843VFW2HM5 (Year: 2020).*

(Continued)

Primary Examiner — Keith J Wilson

(74) *Attorney, Agent, or Firm* — Michael J. Feigin, Esq.; Feigin and Fridman LLC

(57) **CLAIM**

The ornamental design for a short distillation head with integrated cooling spiral, as shown and described.

DESCRIPTION

FIG. 1 shows a top and side perspective view of a short distillation head with intergrated cooling spiral of embodiments of the disclosed technology.

FIG. 2 shows a reverse bottom and side perspective view thereof.

FIG. 3 shows a front elevation view thereof.

FIG. 4 shows a side elevation view thereof.

FIG. 5 shows a side elevation view thereof.

FIG. 6 shows a top plan view thereof.

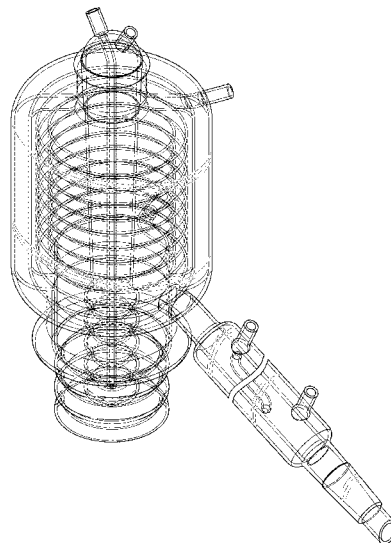
FIG. 7 shows a bottom plan view thereof.

FIG. 8 shows a vertical cross section thereof along section line 8-8 of FIG. 6; and,

FIG. 9 shows a side elevation view thereof with an attached condenser unit.

The short distillation head with integrated cooling spiral is shown with a break to indicate non-specified length. The appearance of any portion of the article between the break lines forms no part of the claimed design.

1 Claim, 8 Drawing Sheets



(56)

References Cited

U.S. PATENT DOCUMENTS

D358,448 S 5/1995 Paoli
 5,411,707 A 5/1995 Hiatt
 5,711,857 A 1/1998 Armstrong
 D412,550 S 8/1999 Bell
 D425,174 S 5/2000 Swancara
 D432,203 S 10/2000 Edwards
 D455,813 S 4/2002 Mount
 D458,340 S 6/2002 Lindahl
 6,551,464 B1 4/2003 Kimel
 D634,397 S 3/2011 Lautzenheiser
 D706,386 S 6/2014 Ambler
 D727,460 S 4/2015 Collins
 D728,854 S 5/2015 Siniakov
 D731,615 S 6/2015 Ambler
 9,138,657 B1 9/2015 Wiederin
 D775,310 S 12/2016 Kremerman
 D776,238 S 1/2017 Kremerman
 D780,286 S 2/2017 Ausner
 D787,630 S 5/2017 Lipkens
 D852,928 S * 7/2019 Maibach, Jr. D23/207
 D862,640 S * 10/2019 Maibach, Jr. D23/207

D914,836 S * 3/2021 Kremerman D23/207
 10,967,292 B1 * 4/2021 Kremerman B01D 5/009
 D919,040 S * 5/2021 Kremerman D23/207
 2017/0340988 A1 * 11/2017 Kremerman B01J 19/30
 2017/0348610 A1 * 12/2017 Kremerman B01D 5/0063
 2018/0161693 A1 * 6/2018 Kremerman B01D 5/006
 2019/0009188 A1 * 1/2019 Kremerman B01D 5/009
 2019/0321747 A1 * 10/2019 Kremerman B01D 5/009
 2019/0321749 A1 * 10/2019 Kremerman B01L 3/563
 2019/0321750 A1 * 10/2019 Kremerman B01D 3/32
 2020/0338468 A1 * 10/2020 Kremerman B01D 3/32
 2020/0406161 A1 * 12/2020 Kremerman B01D 1/08

OTHER PUBLICATIONS

Laboy Glass Short Path Distillation Head Vacuum Jacked with Indentation Distilling Apparatus, Jan. 19, 2016, amazon.com, Jan. 25, 2022, URL: <https://www.amazon.com/LB10241820-Distillation-Apparatus-Vacuum-Thermometer/dp/B01ASUYYYJO> (Year: 2016).
 Distillation Glassware Kit, 1000ml, Nov. 15, 2015, amazon.com, Jan. 25, 2022, URL: <https://www.amazon.com/LabStock-Distillation-Glassware-Kit-1000ml/dp/B011CJEB54> (Year: 2015).*

* cited by examiner

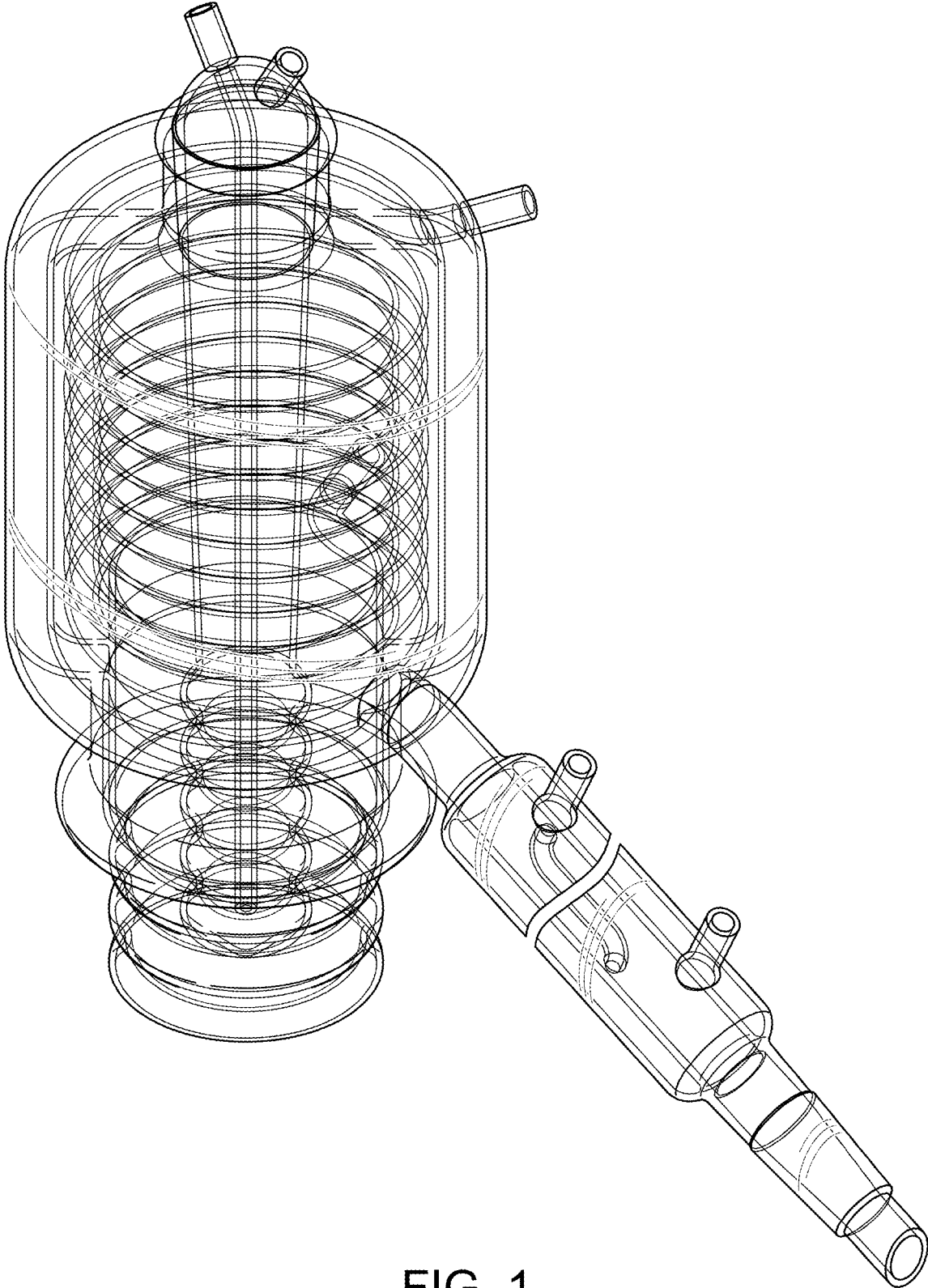


FIG. 1

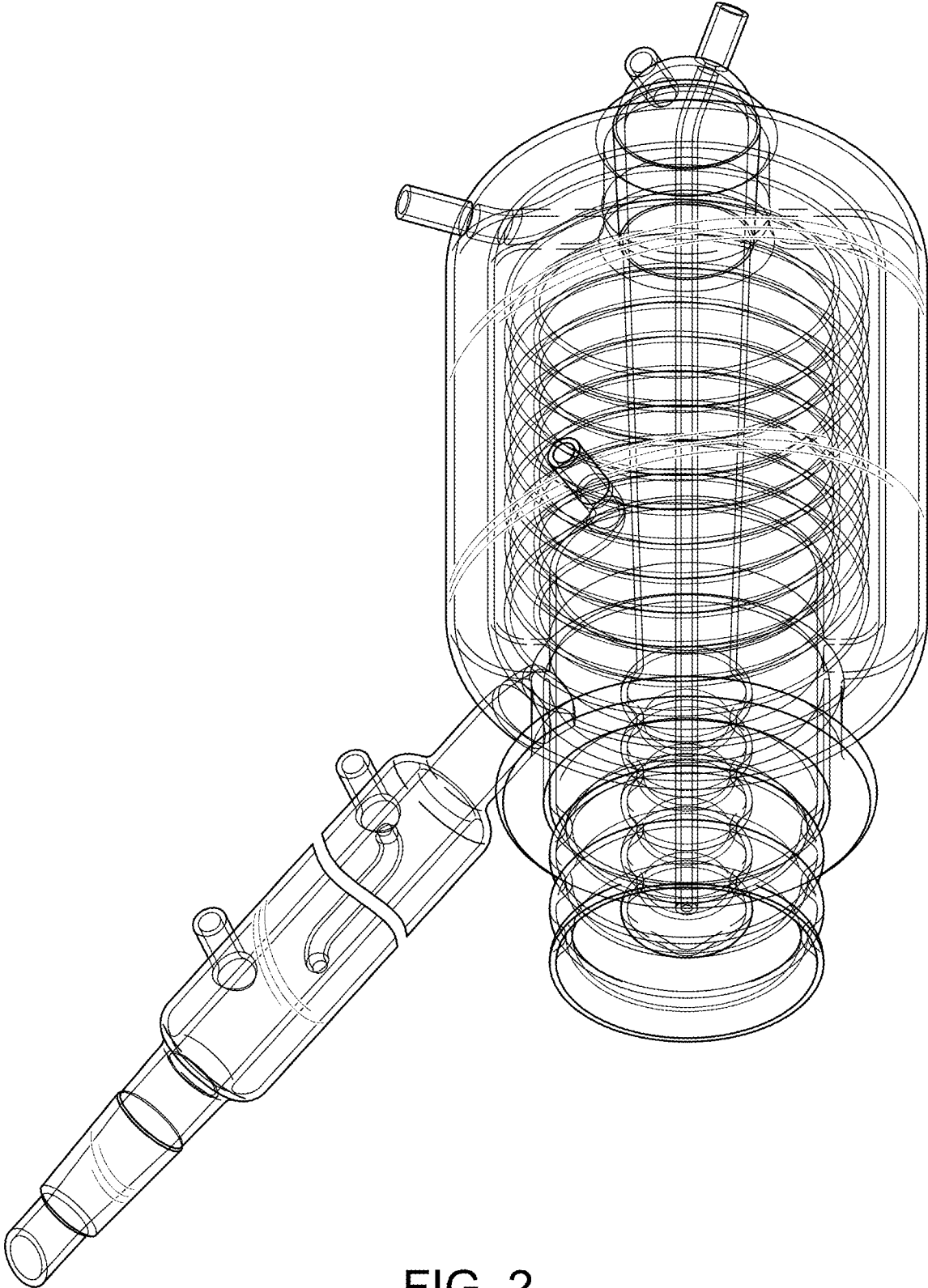


FIG. 2

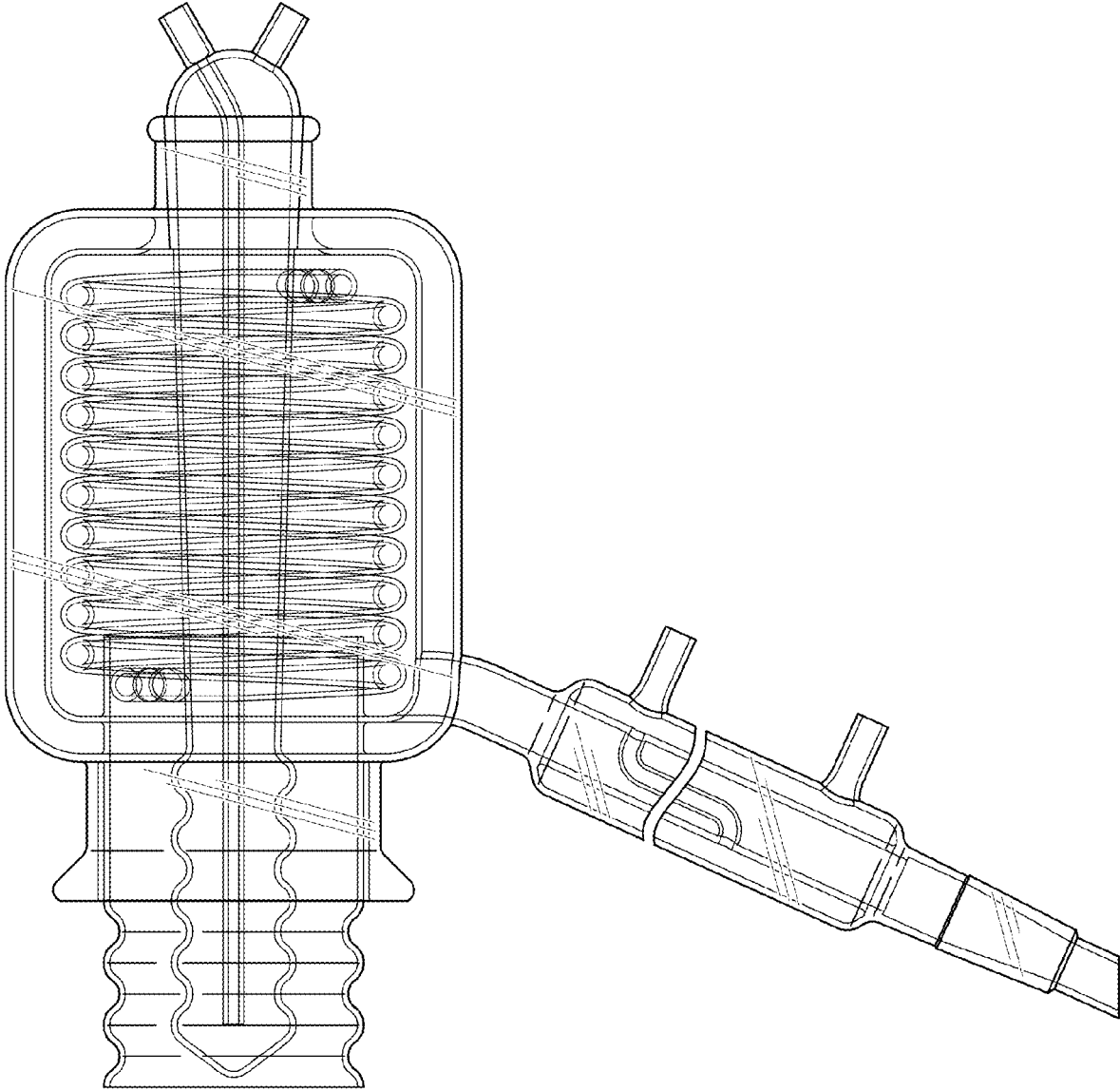


FIG. 3

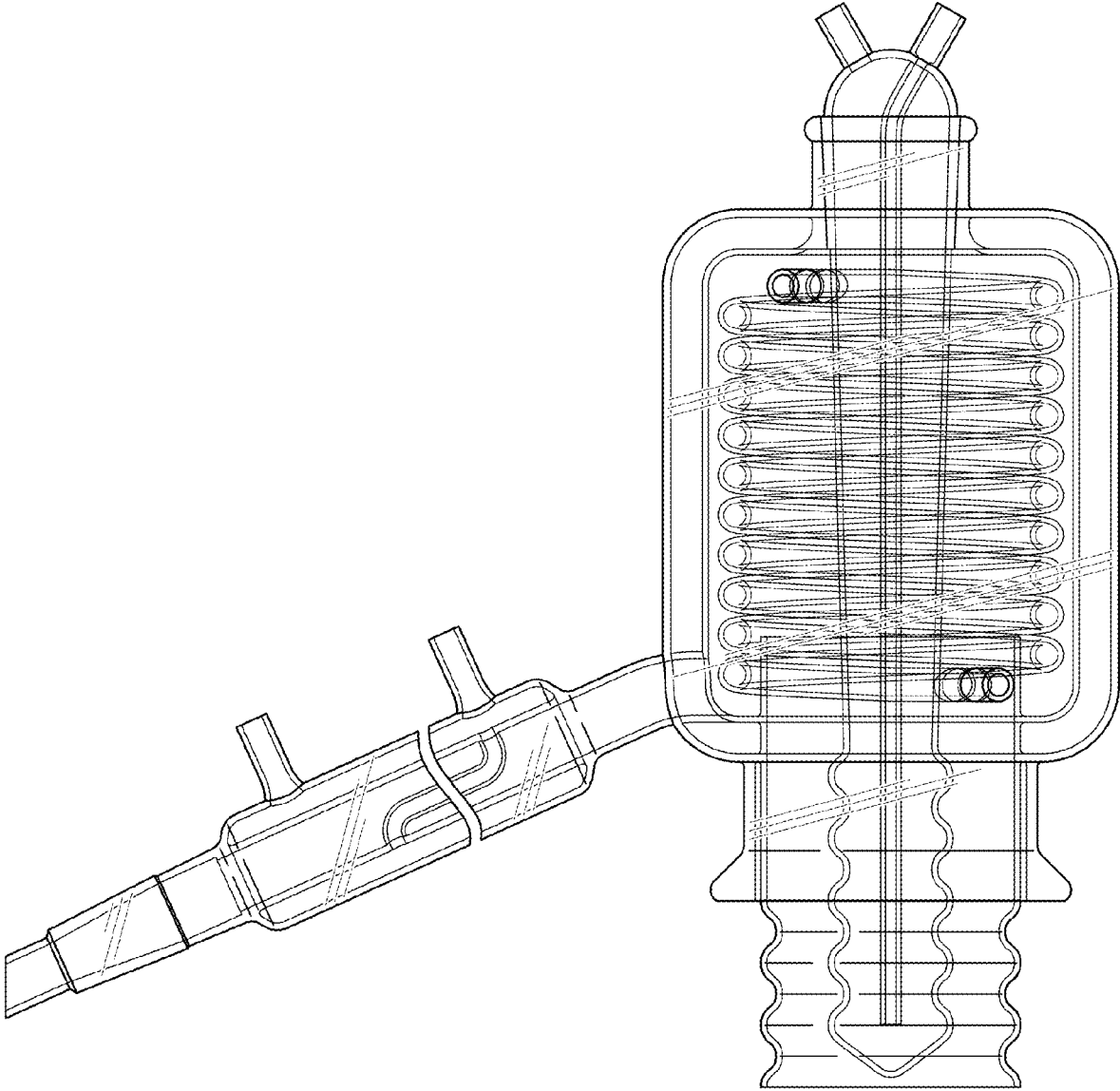


FIG. 4

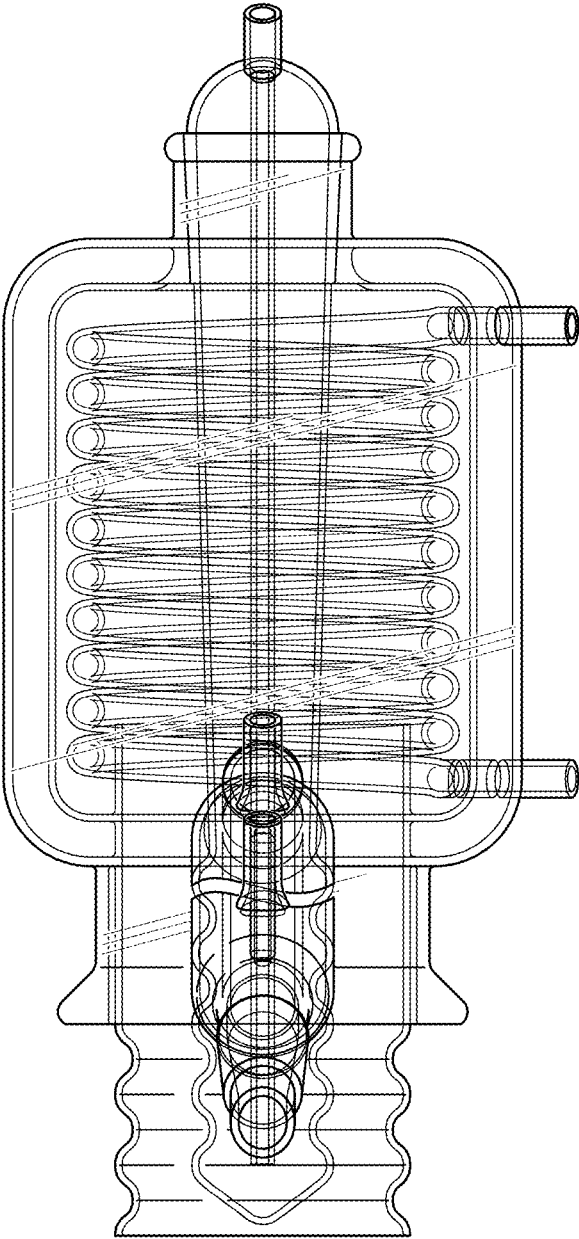


FIG. 5

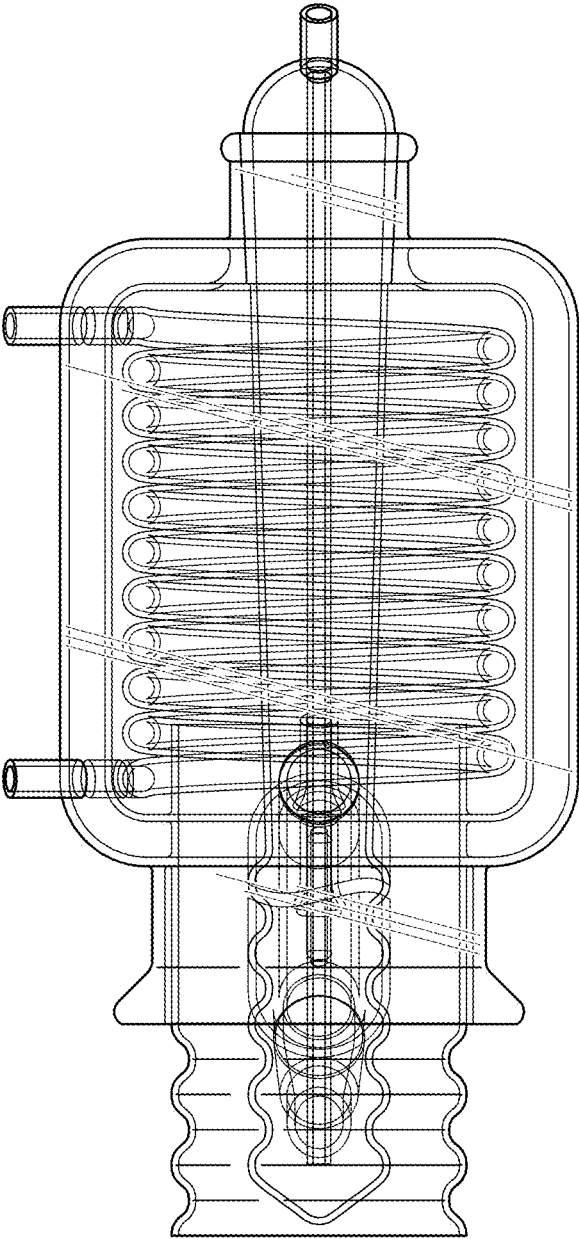


FIG. 6

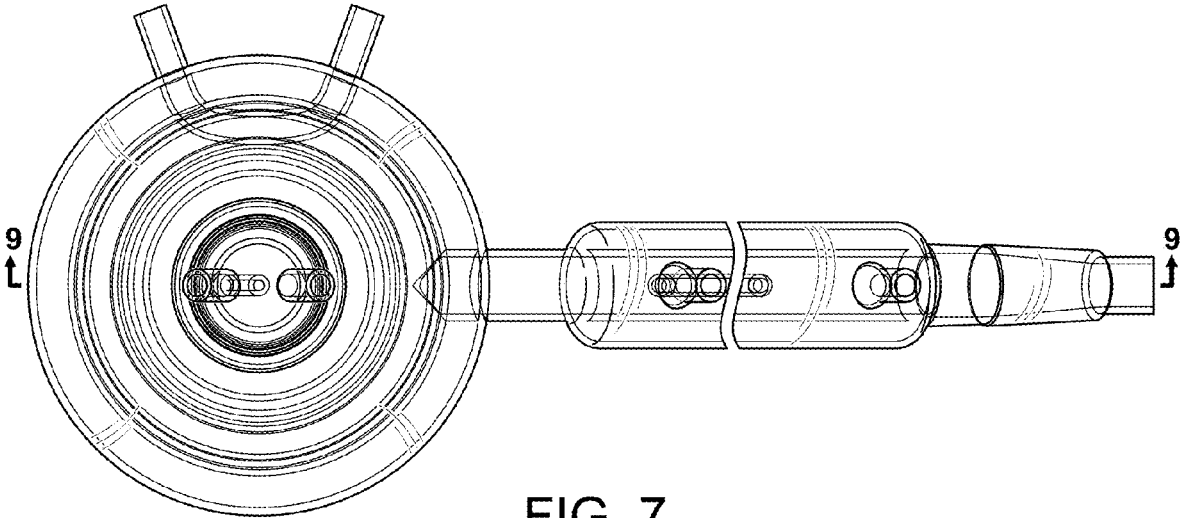


FIG. 7

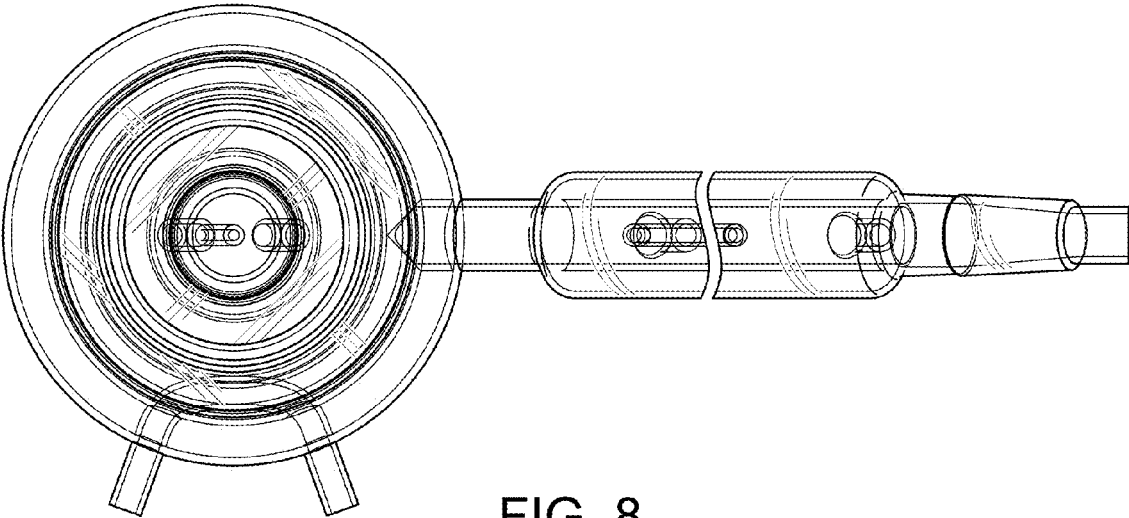


FIG. 8

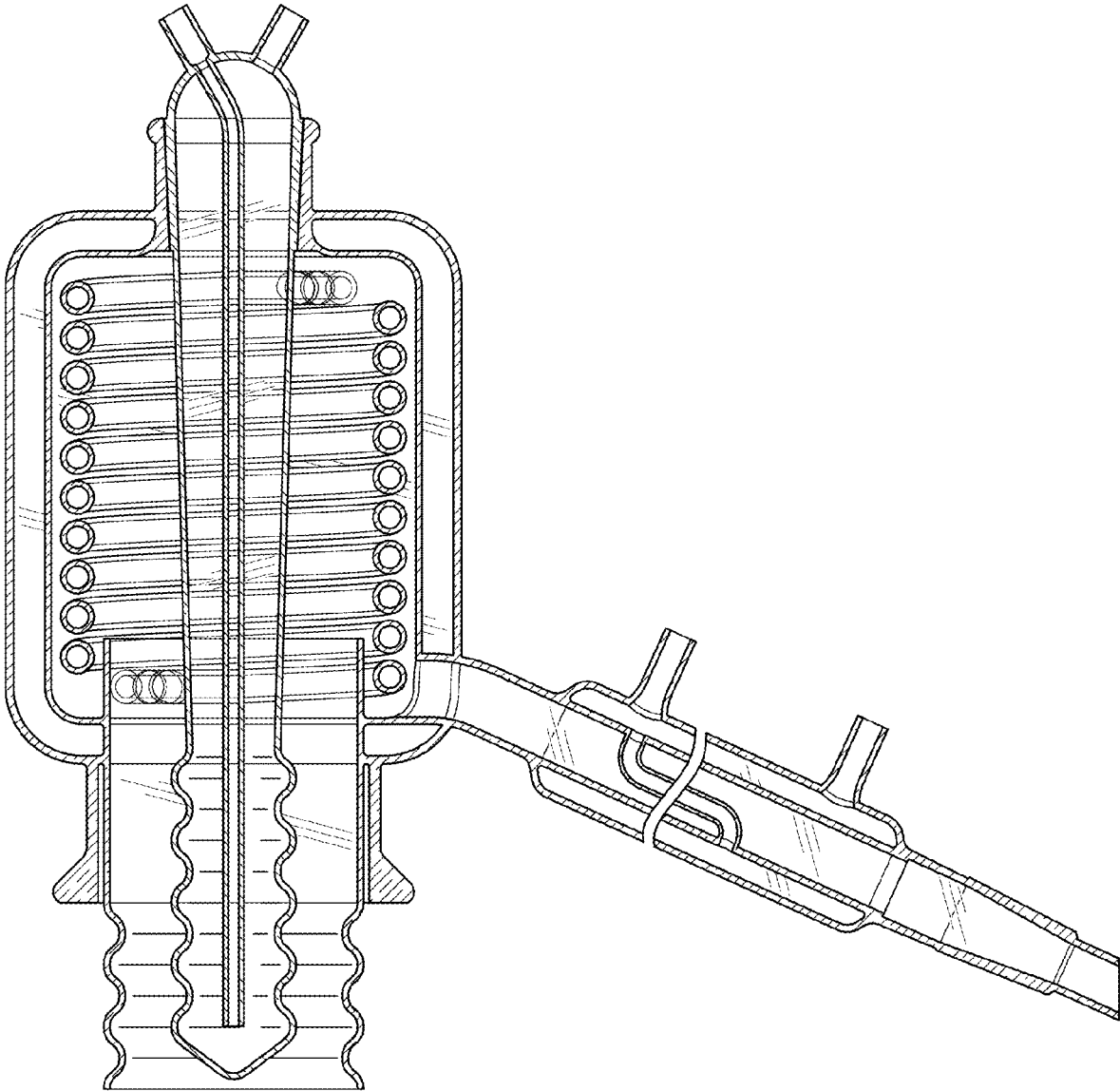


FIG. 9