



(12) **United States Design Patent**
Kremerman

(10) **Patent No.:** **US D960,287 S**
(45) **Date of Patent:** **** Aug. 9, 2022**

(54) **DISTILLATION UNIT WITH MAGNETIC SPINNER**

(71) Applicant: **Elliot Kremerman**, Los Gatos, CA (US)

(72) Inventor: **Elliot Kremerman**, Los Gatos, CA (US)

(**) Term: **15 Years**

(21) Appl. No.: **29/759,391**

(22) Filed: **Nov. 23, 2020**

(51) **LOC (13) Cl.** **23-01**

(52) **U.S. Cl.**
USPC **D23/207**

(58) **Field of Classification Search**
USPC D15/5, 138; D23/207
CPC F24H 1/185; B01L 7/00
See application file for complete search history.

(56) **References Cited**

U.S. PATENT DOCUMENTS

2,607,876	A *	8/1952	Johnson	B01L 7/00
					219/415
2,739,220	A *	3/1956	Morey	B01D 1/0017
					219/535
2,842,654	A *	7/1958	Anderson	B01L 7/00
					219/433
2,878,007	A *	3/1959	Corbett	B01L 7/00
					374/49
2,955,025	A *	10/1960	Conlon	B01L 7/00
					422/198
3,177,343	A *	4/1965	Morey	B01L 7/00
					219/535
3,281,579	A *	10/1966	Glicksman	H05B 3/36
					219/535
3,424,637	A *	1/1969	Morey	B29C 70/003
					264/279
3,484,585	A *	12/1969	Morey	H05B 3/342
					219/535

3,543,004	A *	11/1970	Rickert	F24H 9/1818
					219/535
5,810,976	A *	9/1998	Keith	C02F 1/042
					202/202
8,216,431	B1 *	7/2012	Tel	B01D 1/0058
					203/88
9,541,538	B2 *	1/2017	Tanabe	B01L 9/06
11,084,009	B2 *	8/2021	Kremerman	F04D 29/588
11,111,924	B2 *	9/2021	Kremerman	H02K 49/108
2011/0048145	A1 *	3/2011	Hattori	B01L 7/00
					73/866
2021/0071671	A1 *	3/2021	Kremerman	F04D 13/024
2021/0190074	A1 *	6/2021	Kremerman	H02K 49/108

OTHER PUBLICATIONS

<https://summit-research.tech/product/genesis-mantle/> (Year: 2022).*

* cited by examiner

Primary Examiner — Ania Aman

(74) *Attorney, Agent, or Firm* — Michael J. Feigin, Esq.; Feigin and Fridman LLC

(57) **CLAIM**

The ornamental design for a distillation unit with magnetic spinner, as shown and described.

DESCRIPTION

FIG. 1 shows a top and side perspective view of a distillation unit with magnetic spinner.

FIG. 2 shows a reverse bottom and side perspective view thereof.

FIG. 3 shows a first elevation view thereof.

FIG. 4 shows a second elevation view thereof.

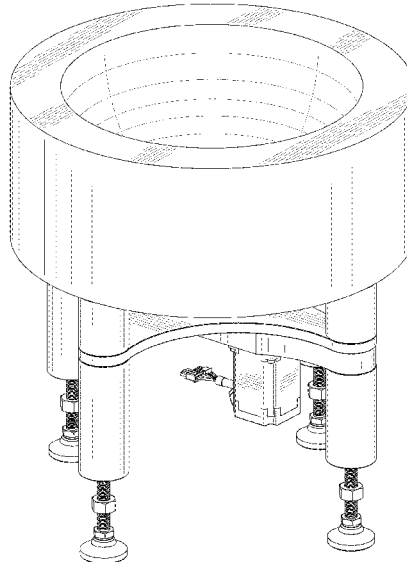
FIG. 5 shows a third elevation view thereof.

FIG. 6 shows a fourth elevation view thereof.

FIG. 7 shows a top plan view thereof; and,

FIG. 8 shows a bottom plan view thereof.

1 Claim, 8 Drawing Sheets



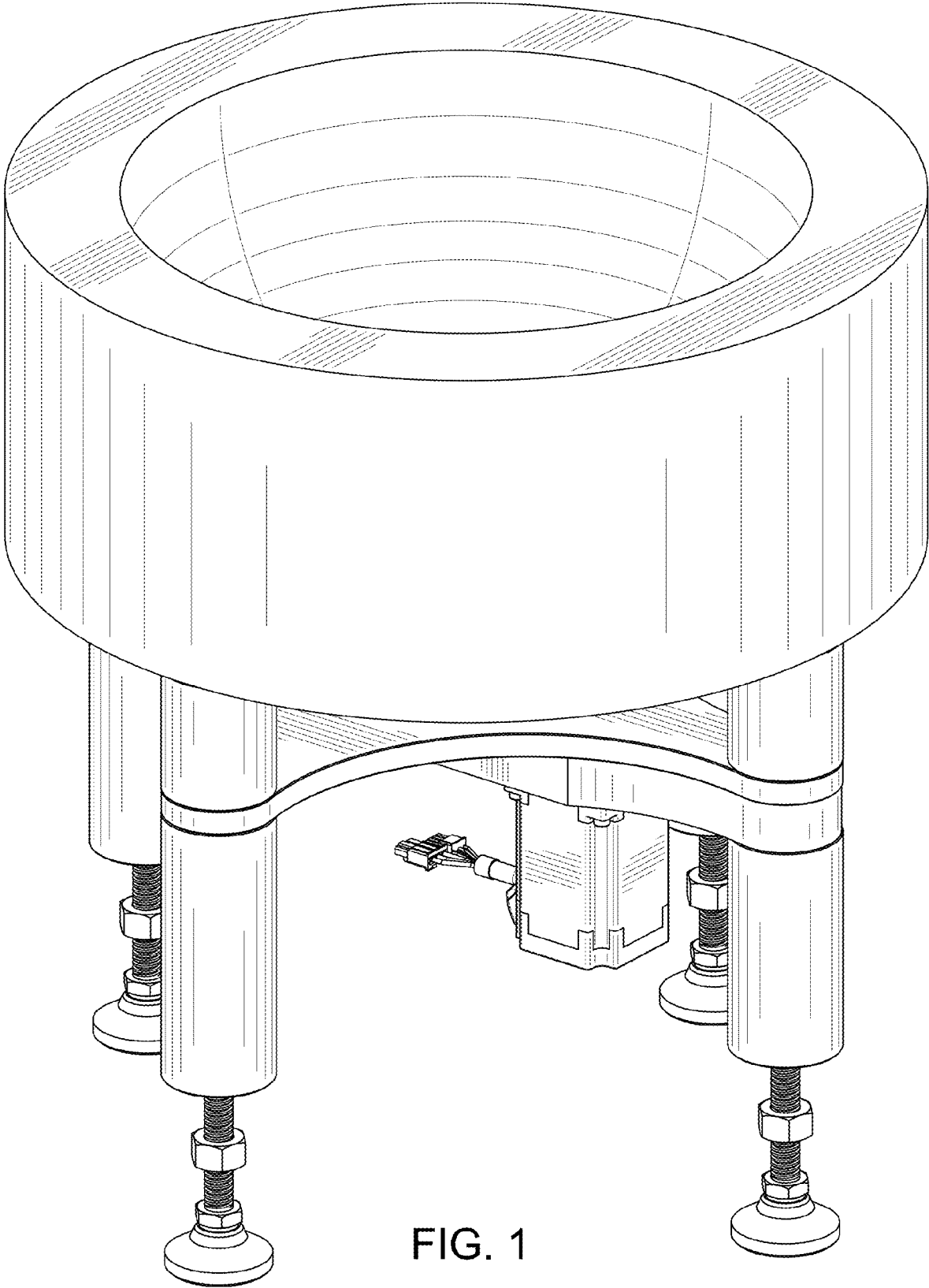


FIG. 1

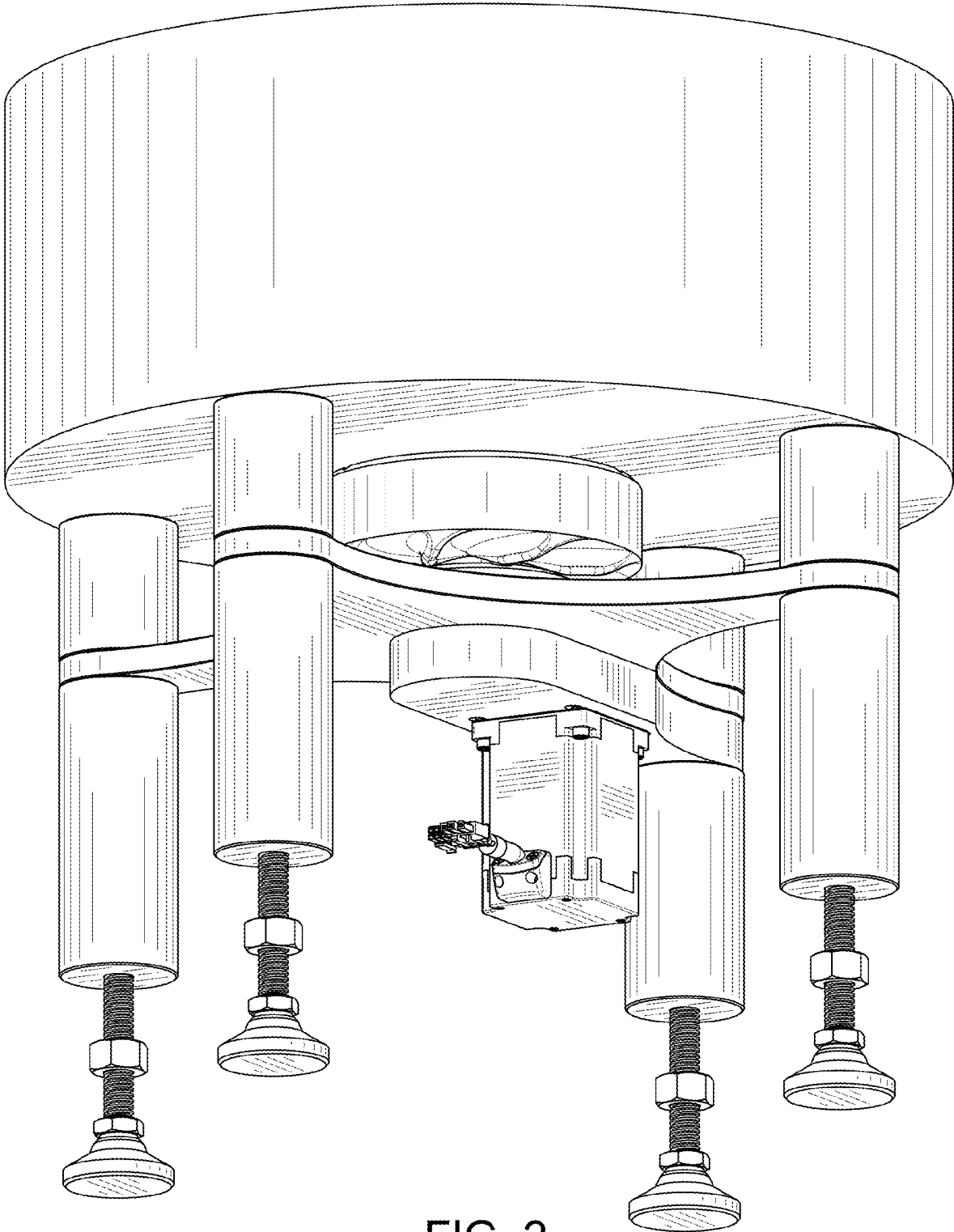


FIG. 2

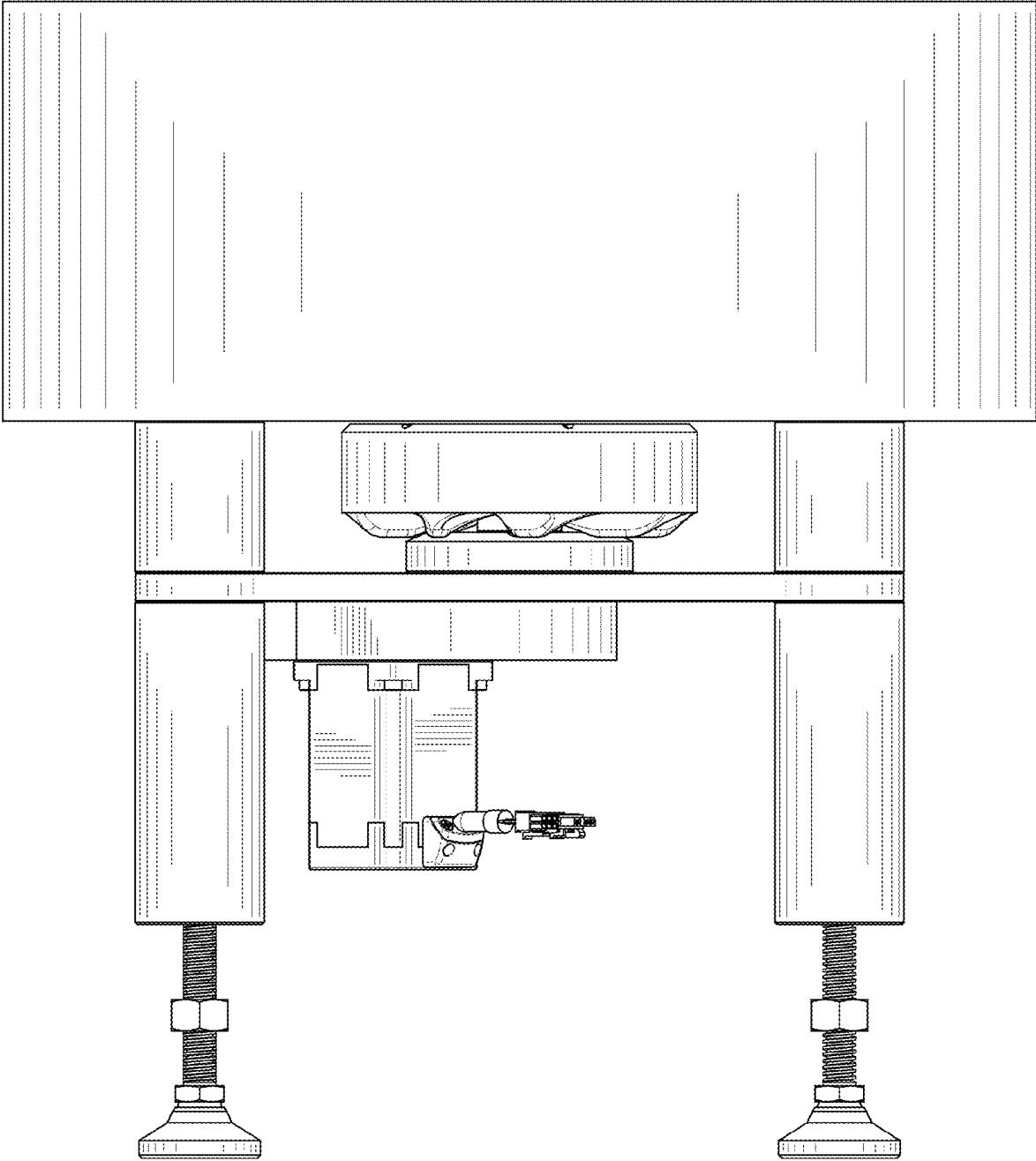


FIG. 3

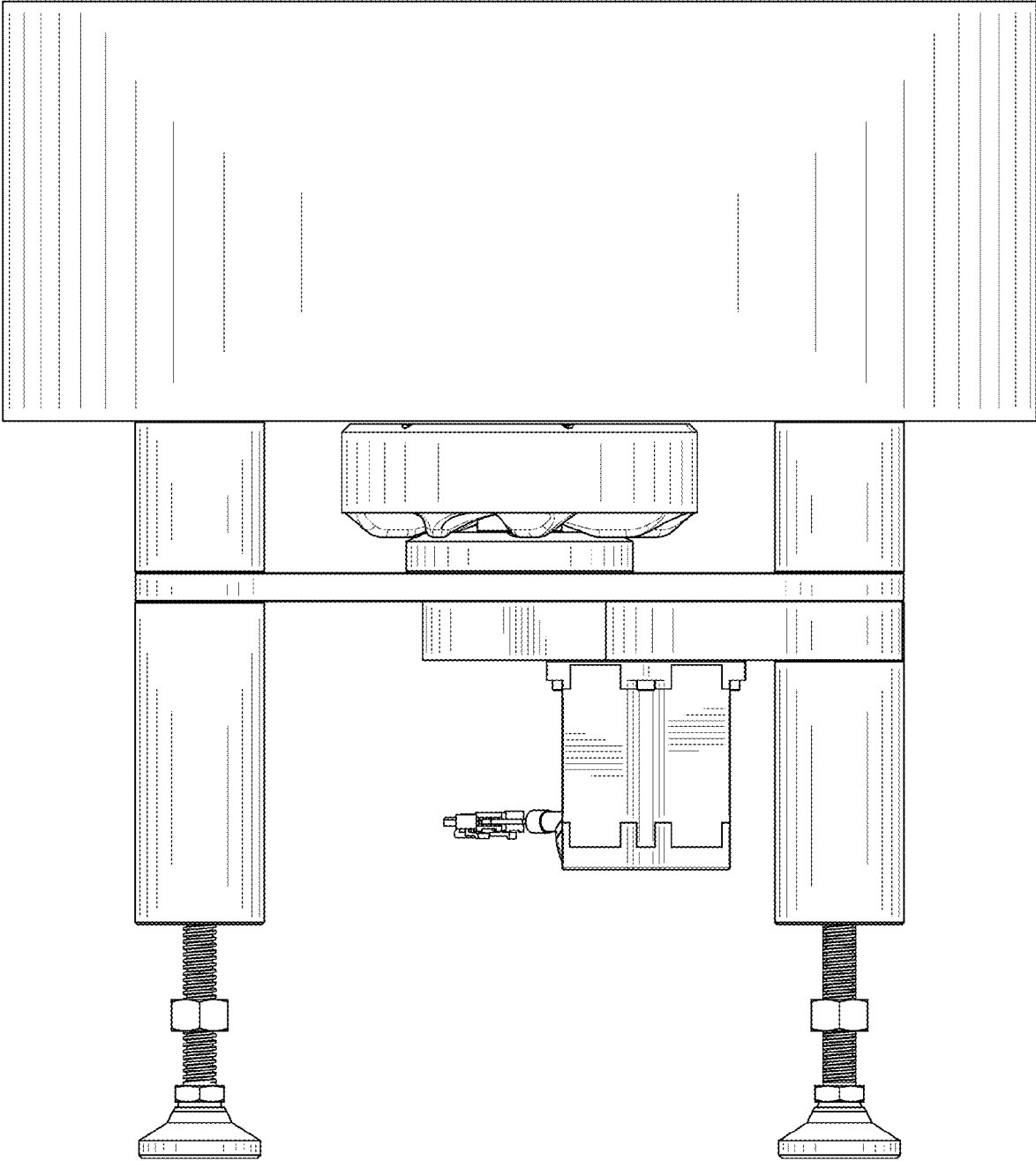


FIG. 4

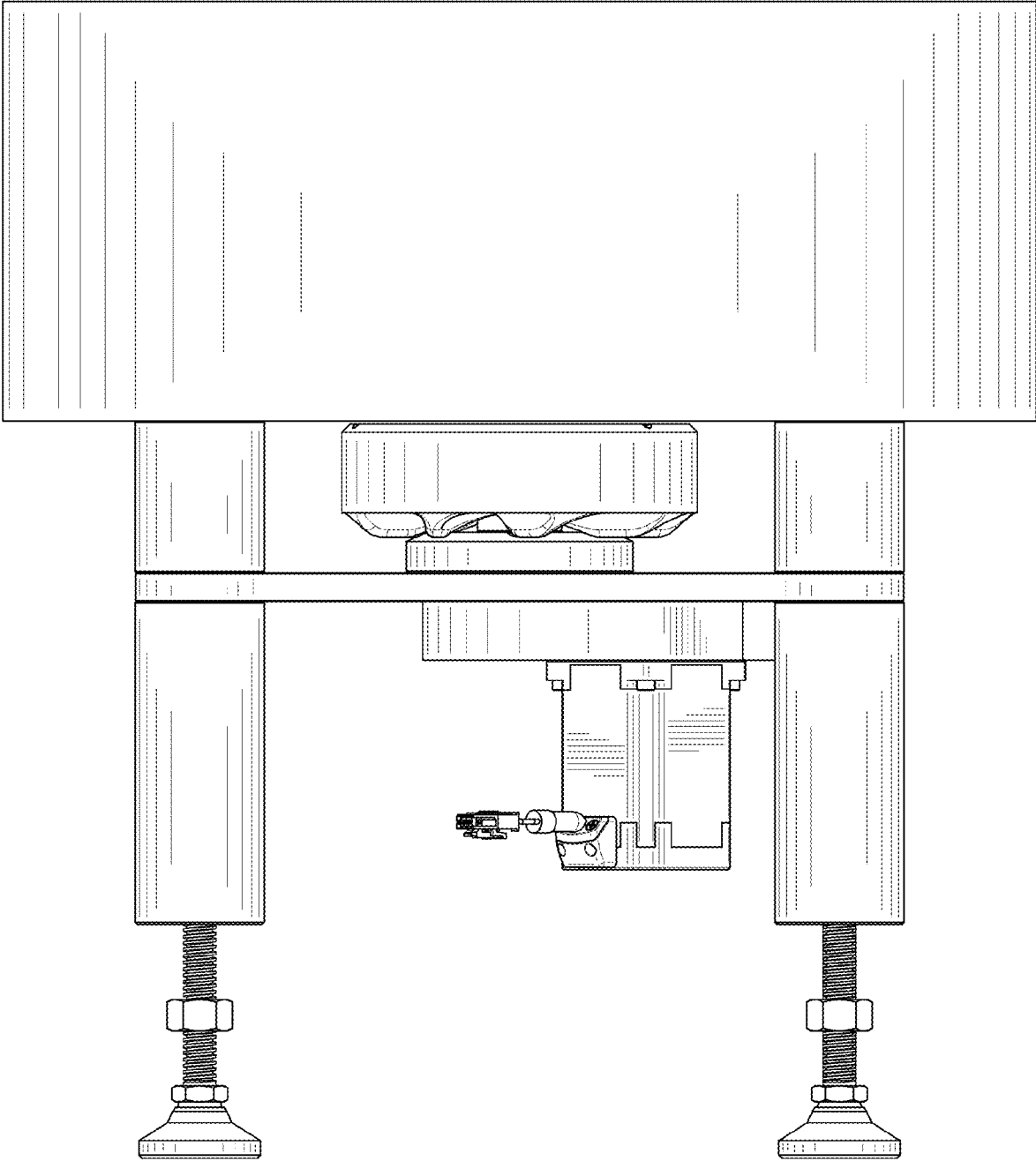


FIG. 5

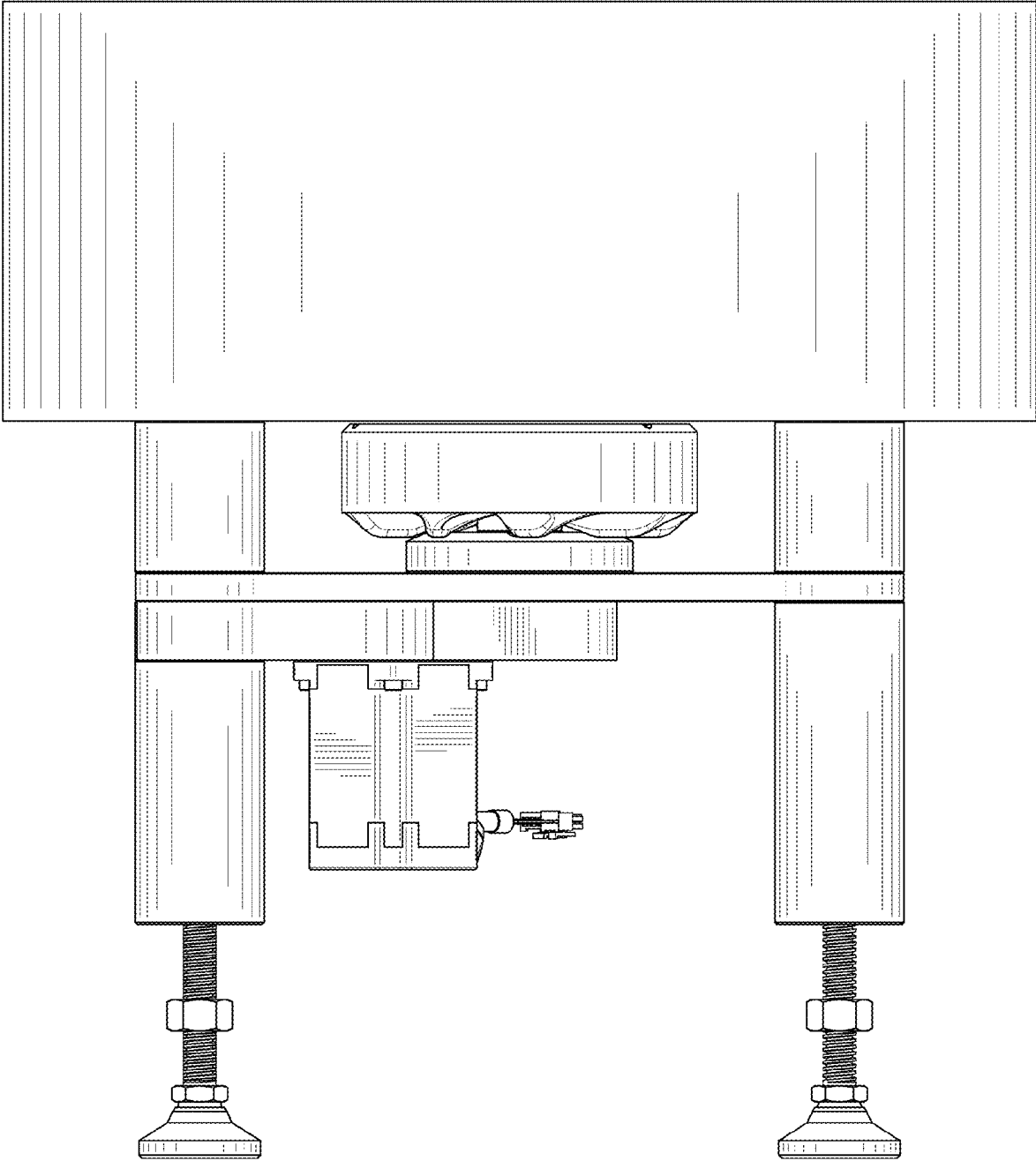


FIG. 6

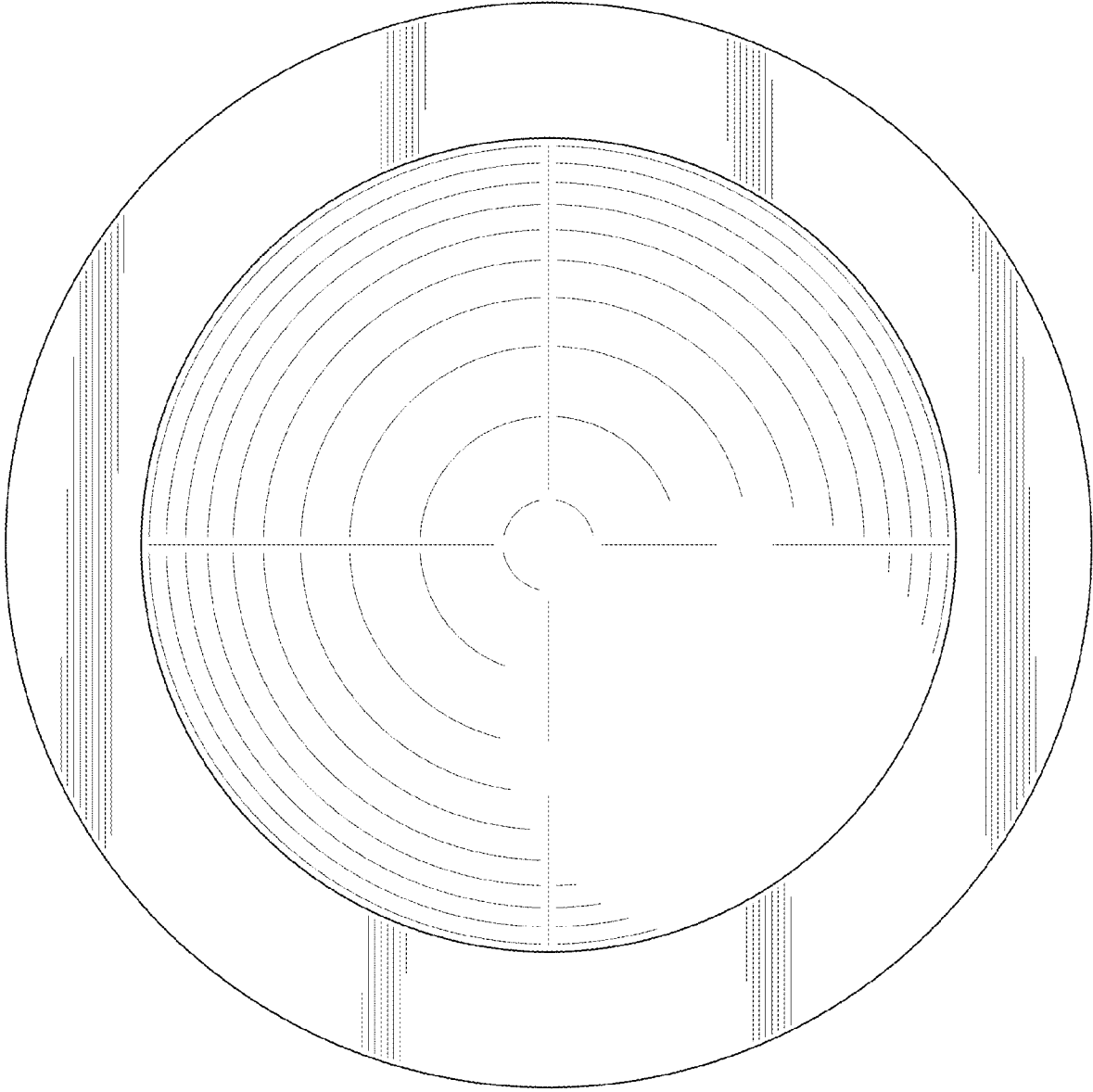


FIG. 7

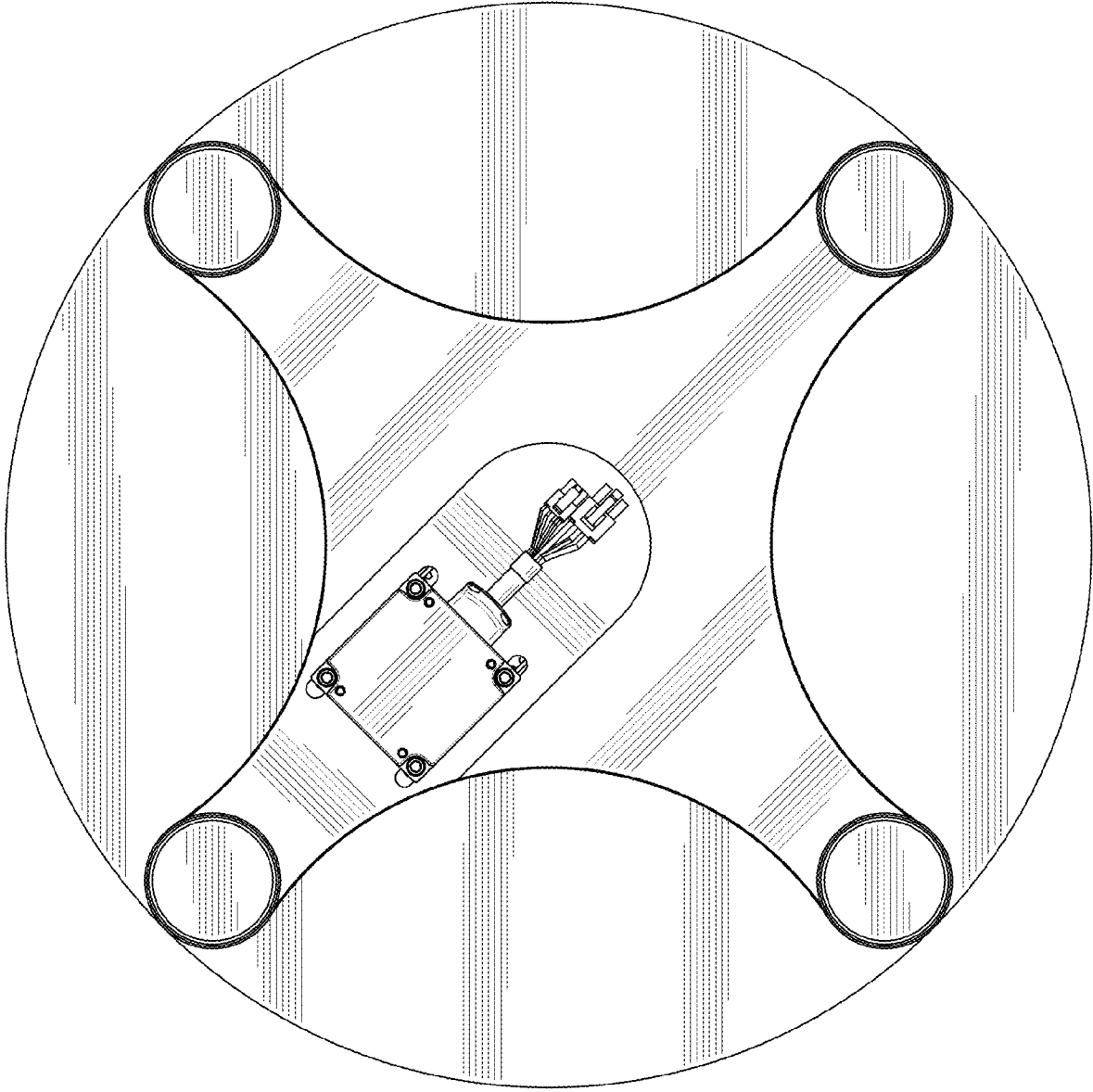


FIG. 8