



US00D963102S

(12) **United States Design Patent**
Daniil

(10) **Patent No.:** **US D963,102 S**

(45) **Date of Patent:** **** Sep. 6, 2022**

(54) **RAT TRAP COVER**

D884,824 S 5/2020 Baker
D896,338 S 9/2020 Hetman
D916,226 S 4/2021 Felix

(71) Applicant: **Daniil Daniil**, Wayne, NJ (US)

(72) Inventor: **Daniil Daniil**, Wayne, NJ (US)

(**) Term: **15 Years**

(21) Appl. No.: **29/803,732**

(22) Filed: **Aug. 16, 2021**

(51) **LOC (13) Cl.** **22-06**

(52) **U.S. Cl.**
USPC **D22/119**

(58) **Field of Classification Search**
USPC D22/119-120; 43/58, 60-61, 65-66, 70,
43/77, 81-83, 90, 92, 98
CPC A01M 23/00; A01M 23/24; A01M 23/26;
A01M 23/30; A01M 31/002

See application file for complete search history.

(56) **References Cited**

U.S. PATENT DOCUMENTS

D582,504 S	12/2008	Wiesener et al.	
D607,080 S *	12/2009	Lovelace	D22/119
D711,495 S *	8/2014	Metlen	D22/119
D802,080 S	11/2017	Lo	
D854,115 S	7/2019	Kang	
D855,742 S *	8/2019	Yang	D22/119
D861,824 S *	10/2019	Yang	D22/119
D863,494 S *	10/2019	Luo	D22/120
D865,903 S *	11/2019	Yang	D22/119

OTHER PUBLICATIONS

https://www.amazon.com/Kat-Sense-Rat-Traps-House/dp/B09QDZMC58/ref=sr_1_2?crd=PJBG7B8512N3&keywords=rat+trap+cover&qid=1658533455&sprefix=%2Caps%2C51&sr=8-2 (Year: 2022).*

* cited by examiner

Primary Examiner — Catherine R Oliver-Garcia
(74) *Attorney, Agent, or Firm* — Michael J. Feigin, Esq.;
Feigin and Fridman LLC

(57) **CLAIM**

The ornamental design for a rat trap cover, as shown and described.

DESCRIPTION

FIG. 1 shows a top and side perspective view of a rat trap cover.

FIG. 2 shows a reverse bottom and reverse side perspective view thereof.

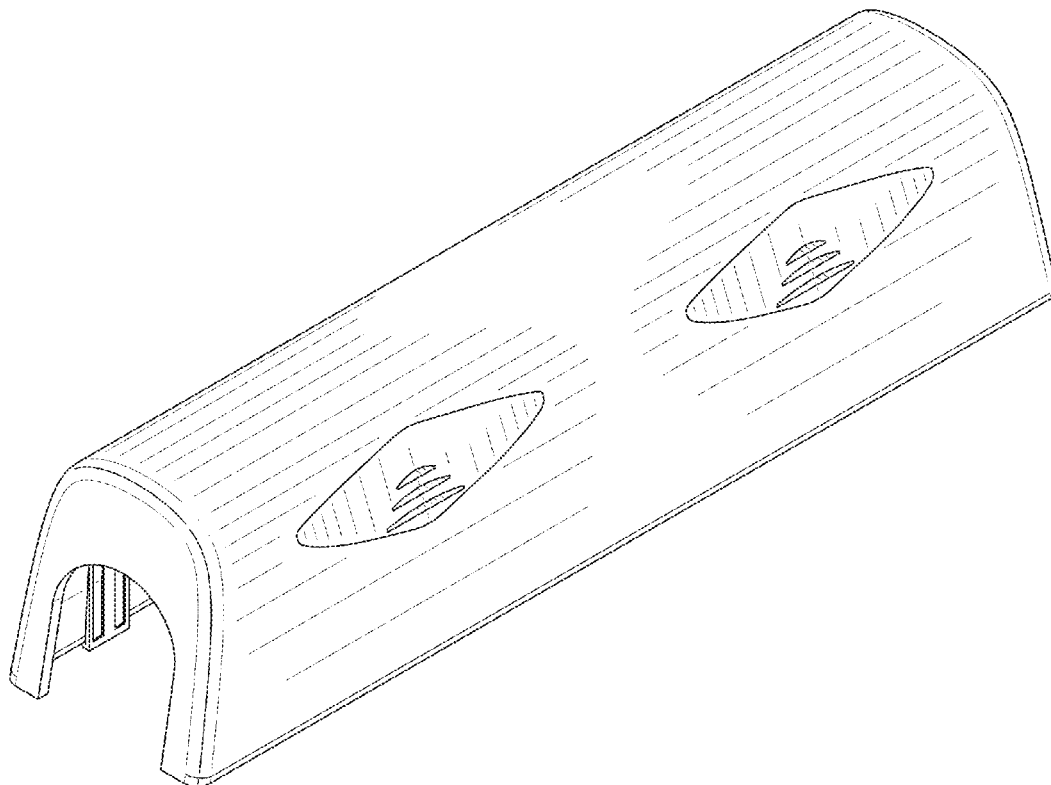
FIG. 3 shows a side elevation view thereof, the opposite side being a mirror image thereof.

FIG. 4 shows a second side elevation view thereof, the opposite side being a mirror image thereof.

FIG. 5 shows a top plan view thereof; and,

FIG. 6 shows a bottom plan view thereof.

1 Claim, 4 Drawing Sheets



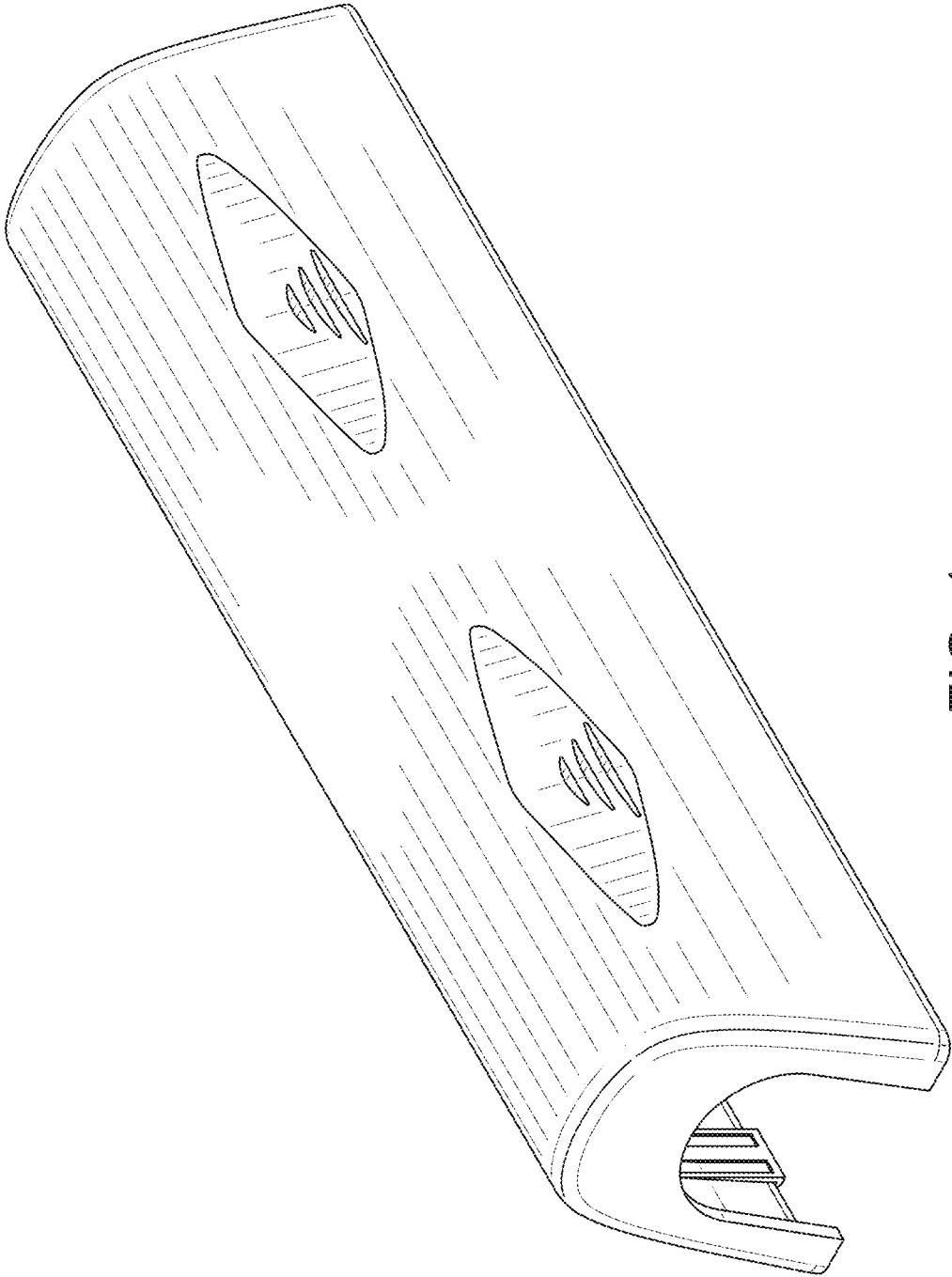


FIG. 1

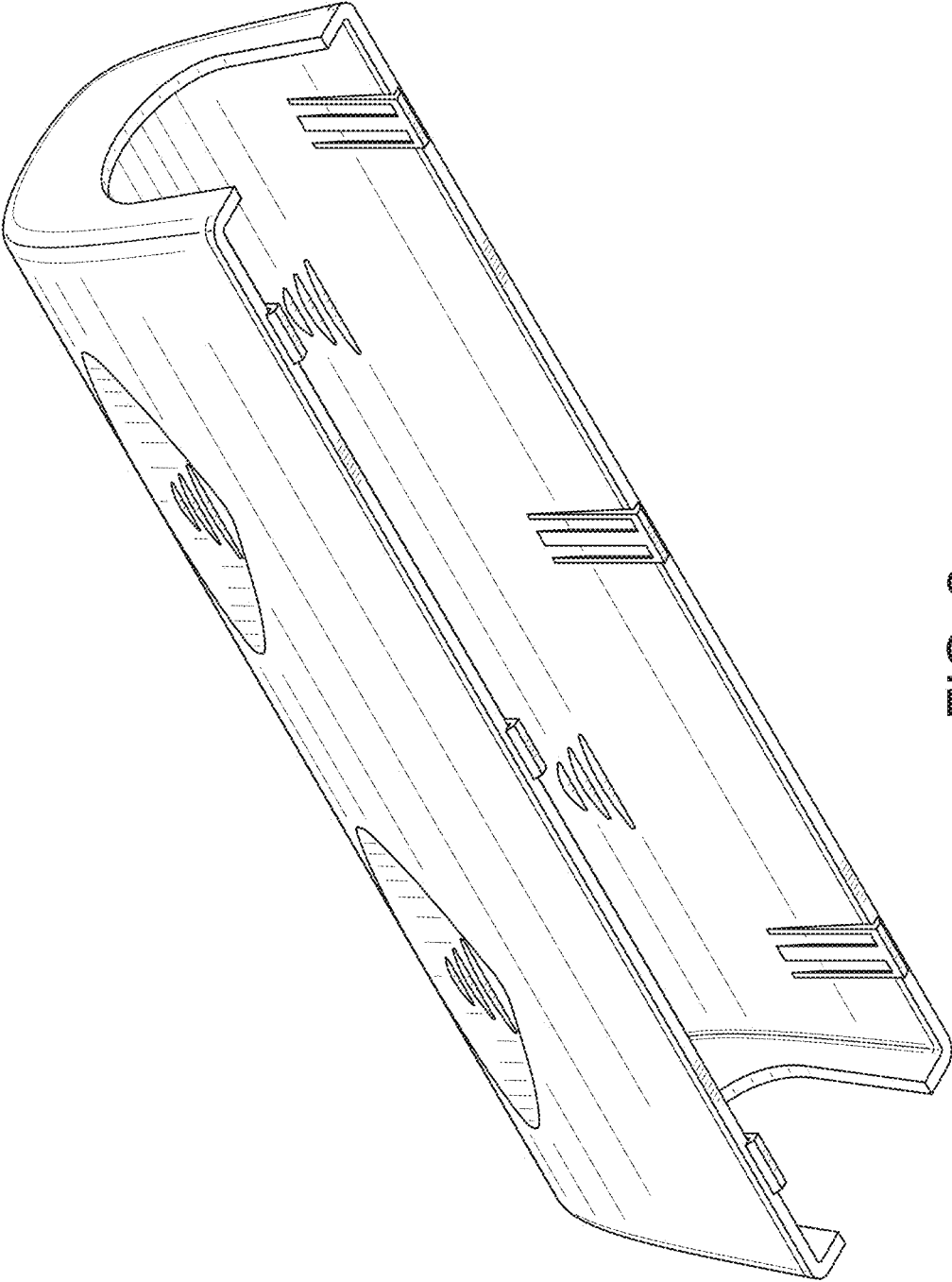


FIG. 2

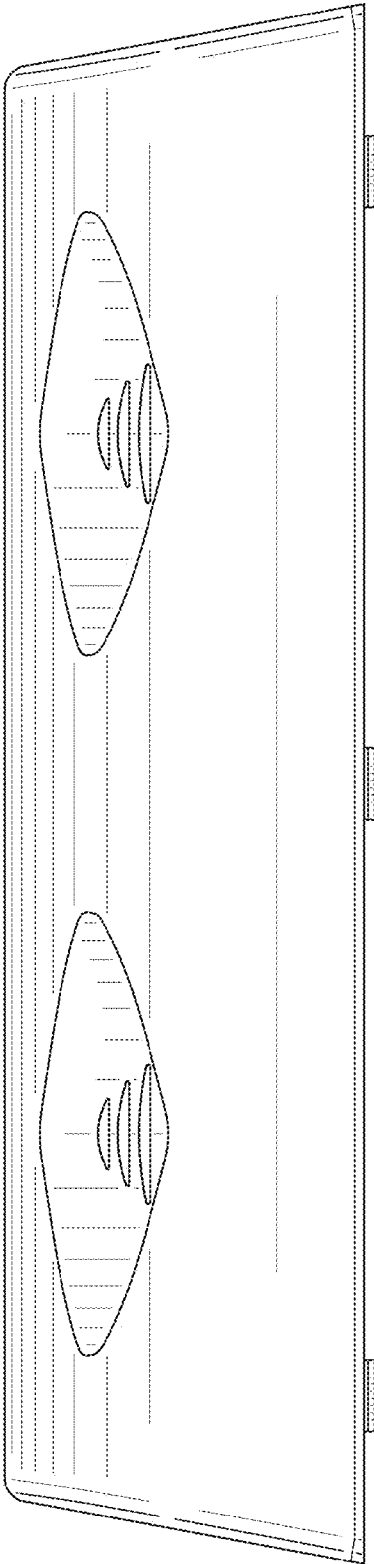


FIG. 3

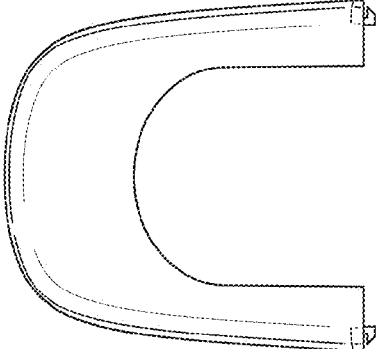


FIG. 4

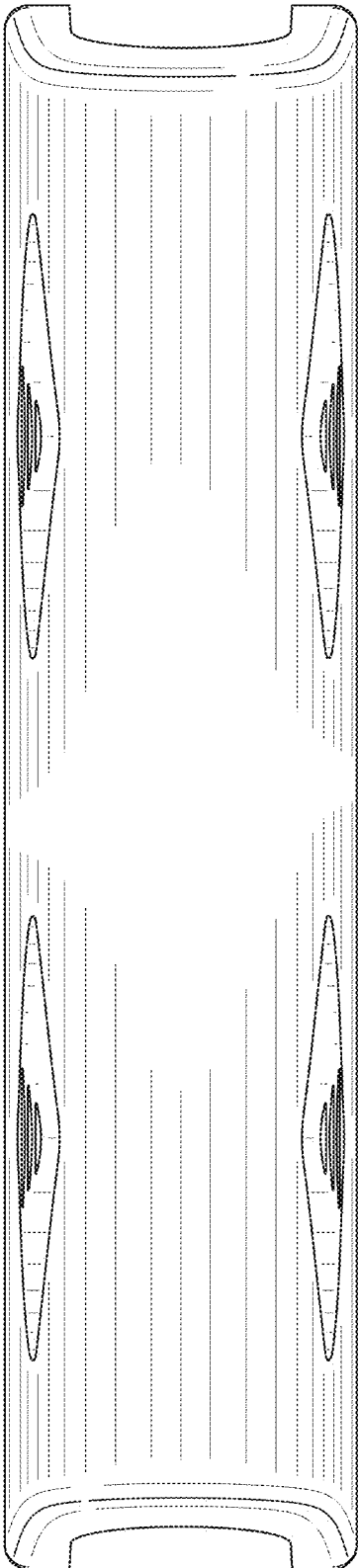


FIG. 5

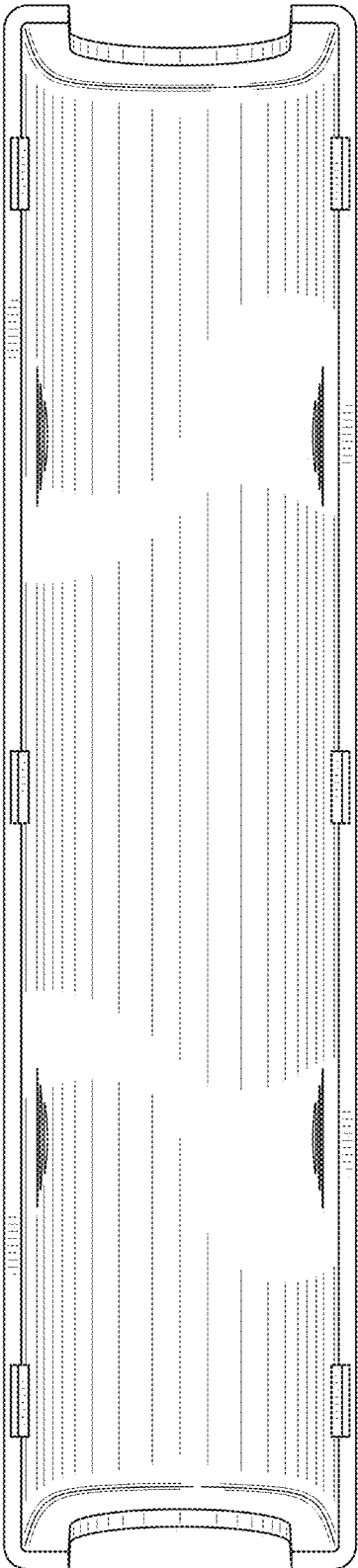


FIG. 6